

INTEGRATED CIRCUITS

DATABOOK

STK and STR INTEGRATED CIRCUITS



- Over 1600 Hybrid STK and STR Integrated Circuits
- Connection diagram
- Short description
- Electrical characteristics
- Cases drawings
- Direct replacement suggestion

2011 EDITION



ELECTRONICS COMPONENTS

Eugeniu Turuta

Mihai Turuta

STK and STR **Integrated Cicuits** databook

INTRODUCTION

2. Alpha-numeric index

2. STK integrated circuits

3. STR integrated circuits

Toronto, 2011 edition
Chisinau, 2011 edition



TURUTA ELECTRONICS WORLD-

course of information for repair technicians about technical info, appliance schematics, datasheets, download e-books, semiconductors information resource
<http://www.turuta.md>



TURUTA ELECTRONICS WORLD

SEMICONDUCTOR COMPONENT DATABOOKS, SERVICE MANUALS, DATASHEETS, REPAIR TECHNOLOGIES INFO

[Carre Migration Australia](#) Visa Advice and Management of Skilled, 457, ENS, Family visas www.camigration.com.au
[Local Jewish Federations](#) Find out where to connect near you Community involvement; Philanthropy www.jewishfed.com
[International Movers](#) Get fast and easy quotes, from several international movers. www.intlmovers.com

AdChoices ▶

ELECTRONIC FORMAT DATABOOKS

ABOUT US
[Buying options, terms and condition](#)
[Contact us](#)

FREE TECH INFO
[Appliance schematics](#)
[Power supply schematics](#)
[Service mode and options](#)
[TV model to chassis cross reference](#)
[Ddatasheets](#)
[Integrated circuits cross reference](#)

Electronic components manufacturer list

MEMBERS AREA
[Become a member today!](#)
[FAQs](#)

[Frequently asked question](#)

SEARCH ON SITE:





Google™
Custom Search


NEW! • SMD-codes databook, 2011 Edition 

A new, 2011 edition SMD-codes databook in electronic format from a known author Eugene Turuta presents the SMD-codes for active semiconductor components. This book includes now 170.300 SMD-codes for different semiconductors like diodes, thyristors, transistors and ICs.

[Make PayPal payment by regular price 25€.](#)

[Buy Now](#)





    


NEW! • STK and STR integrated circuits, 2011 Edition 

A new data book about the common and very popular STK (Sanyo) and STR (Sanken) hybrid integrated circuits. Over 1.600 circuits from STK0025 to STR-Z4579. Schematic of connection, application, short description, table of characteristics with all common parameters, replacements, case outline drawings available for all integrated circuits.

[Make PayPal payment by regular price 24€.](#)

[Buy Now](#)

NEW! • Integrated circuits- power audio amplifiers, 2011 Edition 

A new, 2011 edition data book in electronic format from a known author Eugene Turuta presents the standard and modified circuit diagram, short description, electrical characteristics, pinouts and conventional case drawings of the integrated circuits - power audio amplifiers. This book includes about 6560 most popular integrated circuits - power (final) audio amplifiers and for today is the most complete databook in the world.

Turuta Electronic Worlds allow you to download sample of "SMD-codes databook, 2011 edition", "Power audio amplifiers- integrated circuits, 2011 edition", "STK and STR integrated circuits, 2011 edition", "SMD-codes databook, 2010 edition" and more.

You can buy complete version of e-format (pdf) "SMD-codes databook, 2011 edition", "Power audio amplifiers-integrated circuits, 2011 edition", "STK and STR integrated circuits, 2011 edition", "SMD-codes databook, 2010 edition", and more.

We accept PayPal payments from any country, Moneybookers payments from any country, International Money Transfer Systems such as: Anelik, Contact, Leader, RIA, UniStream, Western Union.

Turuta Electronic Worlds products are available on e-format (pdf file) only and via electronic delivery only. After payment, within 72 hours you will receive an email with the attached book (pdf file). Should we experience any issue sending the data over to you, we will notify you. If after 72 hours you do not receive any email from us please let us know.

Also you can free download appliance schematic diagram, power supply schematic diagram, datasheets and other.

In case if you have any questions, proposals or suggestions feel free to contact the author of the book at the e-mail address

eturuta@gmail.com



INTRODUCTION

Due to the high parameters and reliability, the hybrid integrated circuits of the Sanyo **STK** family and Sanken **STR** family have a large applying in consumer and professional electronics equipments.

The functional set of STK integrated circuits family is very wide: power audio amplifiers, audio preamplifiers and graphic equalizers, switching and linear type voltage regulators, deflection processor, focus and convergente drivers for monitors and projection TV, motor drivers and other.

The Sanken (and Allegro affiliated manufacturer) hybrid integrated circuits of the STR family consists basically from switching and linear type voltage regulators, intended for applying in the TV and video cassette primare (high voltage) and secondare (low voltage) power supply.

In the accesible literature and in the Internet, the information about STK and STR integrated circuits is very dispersed, incompleted and consequently is not so easily accessible.

This book proposes the short but full presentation of the majority of STK and STR integrated circuits that exist on the market; presentation consisting from schematic diagrams (schematic of connections and (or) internal structure), short description and basic electrical characteristics.

The integrated circuits with the identical terminal configurations (and connection) are arranged in the same place. They are not specifically equivalent (replacements) with each other (can have to different electrical characteristics and (or) type of case); for detection of equivalent, in any situation it is necessary to consult a electrical characteristics list.

Replacements.

Not less than three manufacturers make a lot of integrated circuits which one are the complete pin-to-pin replacements compatible with STK and STR family circuits, but their order (marking) code does not coincide with the respective STK or STR circuits. These manufacturers are ECG Microsemi (a Philips USA subdivision (<http://www.ecgsemi.com>)) that marks it's circuits with **ECG** prefixes; NTE Electronis Inc. (<http://www.nteinc.com>) that marks it's circuits with **NTE** prefixes and TCE (Thomson Consumer Electronics) that marks it's circuits with **SK** prefixes. In the book (appendix 2) we present the list of full equivalences of STK, STR, ECG, NTE and SK integrated circuits.

Abbreviations used in the characteristics tables and schematics:

μCOM -	Microcomputer	MON -	Monitor
AC -	Alternate Current	NFB -	Negative feedback
Adj -	Adjust, adjustable	OC -	Oscillator Control
B -	Bias	OCP -	Over-Current Protection
BPF -	Bandpass filter	Osc. -	Oscillator
B_w -	Bandwidth (Hz-kHz)	Out -	Output
CLK -	Clock	OVP -	Over-Voltage Protection
CRT -	Cathode Ray Tube	P_{out,max} -	Maximal output power
CTRL -	Controll	R, G, B -	Red, Green, Blue
Curr. -	Current	RBDS -	Radio Broadcast Data System;
DC -	Direct Current	rDS -	On-State Resistance
Det. -	Detector	RDS -	Radio Data System
DRV -	Driver	Ref. -	Reference (voltage)
D.Y. -	Deflection yoke	Reg. -	Regulator
EMI -	ElectroMagnetic Interference	Rect. -	Rectifier
FDBK -	Feedback	R_{nom} -	Nominal value of load impedance
Fosc -	Oscillation frequency	R_{in} -	Input impedance
GND -	Ground	Sinc. -	Sinchronization
Gv -	Voltage gain	SMPS -	Switching mode power suply
HL -	High Level (logic)	Sw -	Switch
Id -	Drain Current	THD -	Total harmonic distorsion
ID -	Identificator;	TSD -	Time Set During
I_{cc0} -	Quiescent power supply current	V_{cc,min} -	Minimal supply voltage
I_{out,max} -	Maximal output current	V_{cc,max} -	Maximal supply voltage
INH -	Inhibit	V_{ds} -	Drain-Source Voltage
LL -	Low Level (logic)	UVLO -	Under-voltage lockout

ALPHA-NUMERIC INDEX

STK0025	4	STK080	10	STK350-010	22	STK400-310	30
STK0029	4	STK080G	12	STK350-020	22	STK400-450	31
STK0030	4	STK082	10	STK350-030	22	STK400-460	31
STK0035	4	STK082-105	10	STK350-040	22	STK400-470	31
STK0039	4	STK082G	12	STK350-050	22	STK400-480	31
STK0040	4	STK083	10	STK350-200	23	STK400-490	31
STK0040II	5	STK083G	12	STK350-210	23	STK400-500	31
STK0045	4	STK084	10	STK350-220	23	STK400-510	31
STK0049	4	STK084G	12	STK350-230	23	STK400-520	31
STK0050	4	STK085	10	STK350-240	23	STK400-530	31
STK0050II	5	STK085-105	10	STK350-250	23	STK400-650	31
STK0055	4	STK085G	12	STK350-530TE	24	STK400-660	31
STK0059	4	STK086	10	STK390-120	25	STK400-670	31
STK0060	4	STK086G	12	STK390-910	25	STK400-680	31
STK0060II	5	STK0100	4	STK391-020	26	STK400-690	31
STK0070	4	STK0100II	5	STK391-110	26	STK400-700	31
STK0070II	5	STK0105	4	STK391-120	26	STK400-710	31
STK0080	4	STK0177	10	STK391-220	26	STK400-720	31
STK0080II	5	STK0292	11	STK392-010	27	STK400-730	31
STK011	6	STK0352	11	STK392-020	27	STK401-010	32
STK013	6	STK0452	11	STK392-040	27	STK401-020	32
STK014	6	STK181B	12	STK392-110	28	STK401-030	32
STK015	6	STK181C	12	STK392-120	28	STK401-040	32
STK016	6	STK181D	12	STK392-150-E	28	STK401-050	32
STK018	7	STK181E	12	STK392-180	28	STK401-060	32
STK020	7	STK182B	12	STK392-210	28	STK401-070	32
STK021	7	STK182C	12	STK392-220	28	STK401-080	32
STK022	7	STK182D	12	STK392-560	28	STK401-090	32
STK024	7	STK182E	12	STK392-570	28	STK401-100	32
STK025	7	STK183B	13	STK392-910A	29	STK401-110	32
STK027	7	STK183C	13	STK393-110	29	STK401-120	32
STK030	8	STK184C	13	STK394-210	28	STK401-130	32
STK031	7	STK184D	13	STK394-220	28	STK401-140	32
STK032	7	STK185A	14	STK394-250	28	STK401-210	32
STK035	7	STK185B	14	STK394-510	28	STK401-220	32
STK036	7	STK190-010	14	STK396-010	30	STK401-230	32
STK040	8	STK190-020	14	STK397-010	30	STK401-240	32
STK041	8	STK280-100	15	STK400-010	30	STK401-250	32
STK043	8	STK280-130	15	STK400-020	30	STK401-260	32
STK043-105	8	STK282-100E	15	STK400-030	30	STK401-270	32
STK050	9	STK282-140E	15	STK400-040	30	STK401-280	32
STK054	9	STK282-170E	15	STK400-050	30	STK401-290	32
STK055	10	STK290-100	16	STK400-060	30	STK401-300	33
STK056	9	STK290-130	16	STK400-070	30	STK401-310	33
STK057	10	STK301-020	16	STK400-080	30	STK401-320	33
STK058	10	STK301-020A	16	STK400-090	30	STK401-330	33
STK060	10	STK301-020B	16	STK400-100	30	STK401-340	33
STK062	10	STK301-060	16	STK400-110	30	STK402-020	33
STK067	11	STK301-060A	16	STK400-210	30	STK402-030	33
STK070	9	STK301-060B	16	STK400-220	30	STK402-040	33
STK071	11	STK301-090	18	STK400-230	30	STK402-050	33
STK075	10	STK301-220	18	STK400-240	30	STK402-070	33
STK075G	12	STK311-010	19	STK400-250	30	STK402-071	33
STK077	10	STK311-020	19	STK400-260	30	STK402-090	33
STK077G	12	STK311-050	19	STK400-270	30	STK402-100	33
STK078	10	STK311-110	20	STK400-280	30	STK402-120	33
STK078-105	10	STK311-120	21	STK400-290	30	STK402-220	34
STK078G	12	STK350-000	22	STK400-300	30	STK402-230	34

ALPHA-NUMERIC INDEX

STK402-240	34	STK407-090E	41	STK413-220	47	STK433-230A-E	54
STK402-250	34	STK407-100E	41	STK413-230	47	STK433-240	54
STK402-270	34	STK407-120E	41	STK413-290	47	STK433-240A-E	54
STK402-480	34	STK407-130E	41	STK413-400	47	STK433-260	54
STK402-680	36	STK407-240	42	STK413-420	47	STK433-260A-E	54
STK402-920	35	STK407-250	42	STK413-430	47	STK433-270	54
STK402-930	35	STK407-270	42	STK415	46	STK433-270A-E	54
STK402-940	35	STK407-290	42	STK415-090E	48	STK433-290	54
STK402-950	35	STK408-040E	42	STK415-100E	48	STK433-290-E	54
STK403-030	35	STK408-050E	42	STK415-120E	48	STK433-300	54
STK403-040	35	STK408-070E	42	STK415-130E	48	STK433-300-E	54
STK403-050	35	STK408-090E	42	STK415-140E	48	STK433-320	54
STK403-070	36	STK408-230	43	STK416-090E	49	STK433-320-E	54
STK403-090	37	STK408-230M	43	STK416-100E	49	STK433-330	54
STK403-100	37	STK408-240	43	STK416-120E	49	STK433-330-E	54
STK403-120	37	STK410-000	44	STK416-130E	49	STK433-730-E	53
STK403-130	37	STK410-010	44	STK417-090	43	STK433-760-E	53
STK403-240A	37	STK410-020	44	STK417-100	43	STK433-930	55
STK403-250A	37	STK410-030	44	STK417-120	43	STK433-940	55
STK403-430	38	STK410-090	44	STK417-130	43	STK433-960	55
STK403-440	38	STK411-200E	43	STK419-110	48	STK433-970	55
STK403-450	38	STK411-210E	43	STK419-130	48	STK433A	46
STK404-050	38	STK411-220E	43	STK419-140	48	STK435	46
STK404-050S	38	STK411-230E	43	STK425-050	50	STK435-105	46
STK404-070	38	STK411-240E	43	STK425-070	50	STK435A	46
STK404-070S	38	STK411-290E	43	STK425-090	50	STK436	46
STK404-090	39	STK411-550E	43	STK426-530	49	STK436-105	46
STK404-090S	39	STK412-000	45	STK428-430	52	STK436A	46
STK404-100	39	STK412-010	45	STK428-610A	50	STK437	46
STK404-100S	39	STK412-020	45	STK428-610-E	50	STK439	46
STK404-120	39	STK412-030	45	STK428-630	50	STK441	46
STK404-120S	39	STK412-040	45	STK428-640	50	STK441-105	46
STK404-130	39	STK412-090	45	STK430	46	STK442-040	55
STK404-130S	39	STK412-100	46	STK430II	46	STK442-070	55
STK404-140	39	STK412-150	46	STK430III	46	STK442-090	55
STK404-140S	39	STK412-150C-E	46	STK432-050	51	STK442-110	55
STK404-200-E	40	STK412-150M	46	STK432-070	51	STK442-120	55
STK404-230-E	40	STK412-170	46	STK432-090	51	STK442-130	55
STK405	41	STK412-170C-E	46	STK432-420	45	STK443	46
STK405-010	40	STK412-200	45	STK433	46	STK443-050	56
STK405-010A	40	STK412-210	45	STK433-030	53	STK443-070	56
STK405-030	40	STK412-220	45	STK433-030-E	53	STK443-090	56
STK405-030A	40	STK412-230	45	STK433-040	53	STK453-030	56
STK405-050	40	STK412-240M	45	STK433-040-E	53	STK453-030A	56
STK405-050A	40	STK412-290	45	STK433-060	53	STK453-060	56
STK405-070	40	STK412-410	45	STK433-060-E	53	STK457	57
STK405-070A	40	STK412-420	45	STK433-070	53	STK459	57
STK405-090	40	STK412-430	45	STK433-070-E	53	STK460	57
STK405-090A	40	STK412-440	45	STK433-090	53	STK461	57
STK405-100	40	STK412-490	45	STK433-090-E	53	STK463	57
STK405-100A	40	STK413	46	STK433-100	53	STK465	57
STK405-110	40	STK413-000	47	STK433-100-E	53	STK470-010	58
STK405-110A	40	STK413-010	47	STK433-105	46	STK470-020	58
STK405-120	40	STK413-020	47	STK433-120	53	STK470-020A	58
STK405-120A	40	STK413-030	47	STK433-120-E	53	STK470-040	58
STK407-040B	41	STK413-090	47	STK433-130	53	STK470-050	59
STK407-050E	41	STK413-200	47	STK433-130-E	53	STK470-050A	59
STK407-070E	41	STK413-210	47	STK433-230	54	STK470-070	59

ALPHA-NUMERIC INDEX

STK470-080.....	59	STK621-140B-E	65	STK711-410	79	STK760-710A-E	85
STK470-090.....	59	STK621-150A-E	65	STK711-420	79	STK760-712A-E	85
STK475-010.....	60	STK621-150B-E	65	STK711-430	79	STK761	79
STK488-010.....	60	STK628-120-E	66	STK711-440	79	STK762	79
STK488-020.....	60	STK628-130-E	66	STK711-450	79	STK770	85
STK488-050.....	60	STK642-060	66	STK711-460	79	STK772B	85
STK490-040.....	61	STK655	66	STK711-470	79	STK792-110	86
STK490-070.....	61	STK669	66	STK711-480	79	STK792-210	86
STK490-090.....	61	STK672-010	67	STK711-490	79	STK795	87
STK490-110.....	61	STK672-020	67	STK711-510	79	STK795-010.....	87
STK490-140.....	61	STK672-040	66	STK711-520	79	STK1030	88
STK490-220.....	61	STK672-040-E	66	STK711-530	79	STK1035	89
STK490-310.....	61	STK672-050	66	STK711-540	79	STK1039	89
STK490-340.....	61	STK672-070	68	STK711-550	79	STK1040	88
STK496-070.....	41	STK672-080	68	STK711-560	79	STK1040II	90
STK496-090.....	41	STK672-110	68	STK711-570	79	STK1045	89
STK496-220.....	43	STK672-120	68	STK711-580	79	STK1049	89
STK496-270.....	44	STK672-210	69	STK711-590	79	STK1050	88
STK496-420Y	43	STK672-220	69	STK730-010.....	78	STK1050II	90
STK496-430.....	43	STK672-311	70	STK730-020.....	78	STK1055	89
STK496-620Y	44	STK672-330	71	STK730-030.....	78	STK1059	89
STK496-630.....	44	STK672-340	71	STK730-040.....	78	STK1060	88
STK499-040.....	61	STK672-350	70	STK730-050.....	78	STK1060II	90
STK499-070.....	61	STK672-360-E	70	STK730-060.....	78	STK1070	88
STK499-090.....	61	STK672-400	71	STK730-070.....	78	STK1070II	90
STK499-120.....	43	STK672-410	71	STK730-080.....	78	STK1080	88
STK499-140.....	43	STK672-430A-E	72	STK730-090.....	78	STK1080II	90
STK499-220E	43	STK672-432A-E	72	STK730-120.....	78	STK1100II	90
STK499-230E	43	STK672-440A-E	72	STK730-130.....	78	STK2025	91
STK499-240E	43	STK672-442A-E	72	STK730-140.....	78	STK2029	91
STK499-290E	43	STK672-530	71	STK730-150.....	78	STK2030	91
STK521	62	STK672-540	71	STK730B	81	STK2038II	92
STK522	62	STK672-580	73	STK730C	81	STK2040	91
STK523	62	STK672-590	73	STK730D	81	STK2050	91
STK531	62	STK672-600	73	STK731B	81	STK2129	91
STK532	62	STK672-610	73	STK731C	81	STK2135	91
STK533	62	STK672-630A-E	74	STK732B	81	STK2139	91
STK541	62	STK672-632A-E	74	STK732C	81	STK2145	91
STK542	62	STK672-640A-E	74	STK733B	81	STK2155	91
STK543	62	STK672-642A-E	74	STK733C	81	STK2230	93
STK561F	63	STK672-730A-E	75	STK740-411	82	STK2240	93
STK563	63	STK672-732A-E	75	STK740-420.....	82	STK2250	93
STK563A	63	STK672-740A-E	75	STK740-441	82	STK2260	93
STK563F	63	STK672-742A-E	75	STK740-450.....	82	STK3041	94
STK571F	63	STK673-010	75	STK740-470.....	82	STK3042	22
STK583	63	STK673-011	75	STK740-471	82	STK3042II	22
STK583F	63	STK673-011-E	75	STK740-480.....	82	STK3042IIA	22
STK583FST	63	STK681-050	76	STK740-490.....	82	STK3042III	22
STK621-015.....	63	STK681-060	76	STK743B	82	STK3044	94
STK621-017.....	63	STK681-070	76	STK750-010.....	83	STK3044II	94
STK621-018.....	63	STK681-200	77	STK752	79	STK3056	95
STK621-031.....	64	STK681-200-E	77	STK755-030.....	83	STK3061	94
STK621-041.....	64	STK681-210-E	77	STK755-110	84	STK3062	22
STK621-041A-E	64	STK681-300	77	STK755-170.....	84	STK3062II	22
STK621-043A-E	64	STK681-310	77	STK756	79	STK3062IIA	22
STK621-051.....	64	STK681-320	77	STK760	79	STK3062III	22
STK621-061A-E	65	STK681-332-E	78	STK760-220A-E	84	STK3076	95
STK621-061-E	65	STK683	78	STK760-221A-E	84	STK3081	94

ALPHA-NUMERIC INDEX

STK3082	22	STK4042X	98	STK4141V	102	STK4182	60
STK3082II	22	STK4042XI	98	STK4141X	103	STK4182II	102
STK3082IIA	22	STK4044II	98	STK4142	60	STK4182V	102
STK3082III	22	STK4044V	98	STK4142II	102	STK4184MK2	104
STK3101	94	STK4044X	98	STK4142V	102	STK4184MK5	104
STK3102II	22	STK4044XI	98	STK4144MK2	104	STK4185MK2	104
STK3102III	22	STK4046II	99	STK4144MK5	104	STK4185MK5	104
STK3110M	20	STK4046V	100	STK4145MK2	104	STK4186X	103
STK3120M	21	STK4046X	100	STK4145MK5	104	STK4189MK2	105
STK3122III	22	STK4046XI	100	STK4150MK2	101	STK4190MK2	101
STK3152III	22	STK4048II	99	STK4150MK5	101	STK4190MK5	101
STK3161	96	STK4048V	100	STK4151	60	STK4191	60
STK3161B	96	STK4048X	100	STK4151II	102	STK4191II	102
STK3400A	96	STK4048XI	100	STK4151V	102	STK4191V	102
STK3400B	96	STK4050II	100	STK4151X	103	STK4191X	103
STK4017	97	STK4050V	100	STK4152	60	STK4192	60
STK4018II	98	STK4065	100	STK4152II	102	STK4192II	102
STK4019	97	STK4067	101	STK4152V	102	STK4192V	102
STK4020II	98	STK4100MK2	101	STK4154MK2	104	STK4194MK2	104
STK4021	97	STK4100MK5	101	STK4154MK5	104	STK4194MK5	104
STK4022II	98	STK4101	60	STK4155MK2	104	STK4195MK2	104
STK4023	97	STK4101II	102	STK4155MK5	104	STK4195MK5	104
STK4024	98	STK4101V	102	STK4159MK2	105	STK4196MK10	103
STK4024II	98	STK4102	60	STK4160MK2	101	STK4196X	103
STK4024V	98	STK4102II	102	STK4160MK5	101	STK4199MK2	105
STK4025	97	STK4102V	102	STK4161	60	STK4200MK2	101
STK4026	98	STK4110MK2	101	STK4161II	102	STK4200MK5	101
STK4026II	98	STK4110MK5	101	STK4161V	102	STK4201II	105
STK4026V	98	STK4111	60	STK4161X	103	STK4201V	106
STK4028	98	STK4111II	102	STK4162	60	STK4201X	103
STK4028II	98	STK4111V	102	STK4162II	102	STK4204MK2	107
STK4028V	98	STK4112	60	STK4162V	102	STK4204MK5	107
STK4028X	98	STK4112II	102	STK4164MK2	104	STK4205MK2	107
STK4029S	33	STK4112V	102	STK4164MK5	104	STK4205MK5	107
STK4030II	98	STK4115G	43	STK4165MK2	104	STK4206X	103
STK4030V	98	STK4120MK2	101	STK4165MK5	104	STK4209MK2	108
STK4030X	98	STK4120MK5	101	STK4169MK2	105	STK4210MK2	101
STK4032II	98	STK4121	60	STK4170MK2	101	STK4210MK5	101
STK4032V	98	STK41217	46	STK4170MK5	101	STK4211II	105
STK4032X	98	STK4121II	102	STK4171	60	STK4211V	106
STK4034II	98	STK4121J	45	STK4171II	102	STK4211X	103
STK4034V	98	STK4121V	102	STK4171V	102	STK4214MK2	107
STK4034X	98	STK4122	60	STK4171X	103	STK4214MK5	107
STK4036	98	STK41223	45	STK4172	60	STK4215MK2	107
STK4036II	98	STK4122II	102	STK4172II	102	STK4215MK5	107
STK4036V	98	STK4122V	102	STK4172V	102	STK4216MK10	103
STK4036X	98	STK4130MK2	101	STK4174MK2	104	STK4216X	103
STK4036XI	98	STK4130MK5	101	STK4174MK5	104	STK4219MK2	108
STK4038II	98	STK4131	60	STK4175MK2	104	STK4220MK2	101
STK4038V	98	STK4131II	102	STK4175MK5	104	STK4220MK5	101
STK4038X	98	STK4131V	102	STK4176X	103	STK4221II	105
STK4038XI	98	STK4132	60	STK4179MK2	105	STK4221V	106
STK4040II	98	STK4132II	102	STK4180MK2	101	STK4224MK2	107
STK4040V	98	STK4132V	102	STK4180MK5	101	STK4224MK5	107
STK4040X	98	STK4140MK2	101	STK4181	60	STK4225MK2	107
STK4040XI	98	STK4140MK5	101	STK4181II	102	STK4225MK5	107
STK4042II	98	STK4141	60	STK4181V	102	STK4229MK2	108
STK4042V	98	STK4141II	102	STK4181X	103	STK4230MK2	101

ALPHA-NUMERIC INDEX

STK4230MK5	101	STK5361	116	STK6607	132	STK6980B	139
STK4231II	105	STK5362	116	STK6621	132	STK6980BII	139
STK4231V	106	STK5364	116	STK6623	132	STK6980H	139
STK4234MK2	107	STK5371	117	STK6625	132	STK6980HII	139
STK4234MK5	107	STK5372	117	STK6711AMK3	132	STK6981	139
STK4235MK2	107	STK5372H	117	STK6711AMK4	132	STK6981B	139
STK4235MK5	107	STK5381	117	STK6711BMK3	132	STK6981BII	139
STK4239MK2	108	STK5383	118	STK6711BMK4	132	STK6981H	139
STK4241II	105	STK5391	118	STK6712AMK3	132	STK6981HII	139
STK4241V	106	STK5392	118	STK6712AMK4	132	STK6982	139
STK4273	107	STK5421	119	STK6712BMK3	132	STK6982B	139
STK4274	108	STK5422	119	STK6712BMK4	132	STK6982BII	139
STK4275	109	STK5431	119	STK6713AMK3	132	STK6982H	139
STK4277	109	STK5431SL	119	STK6713AMK4	132	STK6982HII	139
STK4278	110	STK5431ST	119	STK6713BMK3	132	STK7216S	140
STK4278-L	110	STK5434	119	STK6713BMK4	132	STK7217	140
STK4301	110	STK5436	119	STK6714AMK3	132	STK7221	140
STK4311	110	STK5441	120	STK6714AMK4	132	STK7231	141
STK4332	111	STK5443	120	STK6714BMK3	132	STK7241	141
STK4352	111	STK5446	120	STK6714BMK4	132	STK7253	141
STK4362	111	STK5451	120	STK6720H	133	STK7302	142
STK4372	111	STK5461	121	STK6721H	133	STK7308	142
STK4392	111	STK5461ST	121	STK6722H	133	STK7309	142
STK4412	111	STK5462	121	STK6772	134	STK7310	142
STK4432	111	STK5464	122	STK6855	134	STK7312	142
STK4773	111	STK5466	122	STK6865H	135	STK7344	143
STK4793	111	STK5466ST	122	STK6875	135	STK7348	143
STK4803	111	STK5467	123	STK6877	135	STK7356	143
STK4813	111	STK5468	123	STK6932	136	STK7358	143
STK4833	111	STK5468S	123	STK6940	136	STK7360	143
STK4843	111	STK5471	122	STK6941	136	STK7362	143
STK4853	111	STK5472	123	STK6942	136	STK7402	144
STK4863	111	STK5473	124	STK6950	136	STK7404	144
STK4873	111	STK5474	124	STK6951	136	STK7406	144
STK4893	111	STK5476	122	STK6952	136	STK7408	144
STK4913	111	STK5477	124	STK6960	137	STK7410	144
STK5314	112	STK5479	125	STK6960H	137	STK7452	145
STK5321	112	STK5481	125	STK6961	137	STK7458	145
STK5322	112	STK5482	125	STK6961H	137	STK7554	145
STK5322HSL	112	STK5486	126	STK6962	137	STK7561A	146
STK5324	112	STK5490	126	STK6962C	137	STK7561F	146
STK5325	112	STK5632D	127	STK6962CL	137	STK7561G	146
STK5326	113	STK5633A	127	STK6962H	137	STK7561J	146
STK5327	113	STK6103	127	STK6965	138	STK7561L	146
STK5331	113	STK6105	127	STK6965H	138	STK7562A	146
STK5332	113	STK6153	128	STK6966	138	STK7562F	146
STK5333	114	STK6215	128	STK6966H	138	STK7562G	146
STK5335	114	STK6217	128	STK6967	138	STK7562J	146
STK5336	115	STK6325A	129	STK6967H	138	STK7562L	146
STK5337	114	STK6325B	129	STK6968	138	STK7563A	146
STK5338	114	STK6325C	130	STK6970	138	STK7563F	146
STK5339B	114	STK6327A	130	STK6970H	138	STK7563G	146
STK5340	115	STK6327B	130	STK6971	138	STK7563J	146
STK5342	113	STK6328A	131	STK6971H	138	STK7563L	146
STK5343	113	STK6351	131	STK6972	138	STK7565A	146
STK5346	115	STK6601	132	STK6972C	138	STK7565F	146
STK5352	116	STK6603	132	STK6972H	138	STK7571A	147
STK5353	116	STK6605	132	STK6980	139	STK7571B	147

ALPHA-NUMERIC INDEX

STK7572A	147	STR381	154	STR6708	162	STR80145A	173
STK7572B	147	STR382	154	STR6709	162	STR81145A	173
STK7573A	147	STR383	154	STR6754	163	STR81159A	173
STK7573B	147	STR384	154	STR6756	163	STR82145	173
STK7575A	147	STR385	154	STR7001	164	STR83145	173
STK7575B	147	STR440	154	STR7002	164	STR83146	173
STK8020	147	STR441	154	STR7003	164	STR83159	173
STK8030	147	STR442	154	STR7101	164	STR84145	173
STK8040	147	STR450	155	STR7102	164	STR84146	173
STK8050	147	STR451	155	STR7103	164	STR90050	175
STK8060	147	STR452	155	STR9005	164	STR90090	175
STK8250	148	STR453	155	STR9012	164	STR90120	175
STK8250II	148	STR454	155	STR9015	164	STR90150	175
STK8260	148	STR455	155	STR9024	164	STR-A6051M	174
STK8260II	148	STR456A	156	STR10006	165	STR-A6052M	174
STK8270	148	STR470A	156	STR11006	165	STR-A6053M	174
STK8270II	148	STR729	154	STR12006	166	STR-A6059H	174
STK8280	148	STR2005	156	STR13006	166	STR-A6061H	174
STK8280II	148	STR2012	156	STR14006	166	STR-A6062H	174
STK40204	33	STR2013	156	STR15006	166	STR-A6069H	174
STK41203	45	STR2015	156	STR16006	166	STR-A6079M	174
STK41242	45	STR2024	156	STR17006	166	STR-A6131	175
STK41244	45	STR3010	157	STR20005	166	STR-A6131M	175
STK43205	51	STR3015	157	STR30110	167	STR-A6132	175
STK45303	56	STR3023	157	STR30112	167	STR-A6151	175
STK48801	60	STR3025	157	STR30113	167	STR-A6151M	175
STK65010II	149	STR3030	157	STR30115	167	STR-A6153E	175
STK65020II	149	STR3035	157	STR30120	167	STR-A6159	175
STK65030	149	STR3110	157	STR30123	167	STR-A6159M	175
STK65030II	149	STR3113	157	STR30125	167	STR-A6169	175
STK65040	149	STR3115	157	STR30130	167	STR-A6251	176
STK65040II	149	STR3120	157	STR30134	167	STR-A6251M	176
STK65050	149	STR3123	157	STR30135	167	STR-A6252	176
STK65050II	149	STR3125	157	STR40090	168	STR-A6252M	176
STK65060	149	STR3127	157	STR40115	169	STR-A6259H	176
STK65060II	149	STR3130	157	STR41090	169	STR-A6259M	176
STK66083P	150	STR3135	157	STR50020	170	STR-A6269H	176
STK73410II	143	STR3215	157	STR50041	170	STR-A6269M	176
STK73605I	150	STR3225	157	STR50103A	171	STR-A6331	177
STK73606I	150	STR3230	157	STR50115B	172	STR-A6351	177
STK73901	151	STR3235	157	STR50155	172	STR-A6359	177
STK73902	151	STR4211	158	STR50203M	171	STR-A6372	177
STK73903	151	STR4412	158	STR50330	170	STR-B5051	178
STK73904	151	STR5020	159	STR51041	170	STR-B5052	178
STK73905	151	STR5100	159	STR51203M	172	STR-B5053	178
STK73906	151	STR5412	159	STR51402M	172	STR-B5054	178
STK73907	151	STR5707	160	STR51404M	172	STR-B5055	178
STK73908	151	STR5708	160	STR51424M	172	STR-B5056	178
STK73909	151	STR5717	160	STR52100A	170	STR-B5057	178
STK78501	152	STR6135T	161	STR53041	170	STR-B5058	178
STK78603	152	STR6307	161	STR53043	170	STR-B5059	178
STK79315A	152	STR6309	161	STR53103B	171	STR-B5451	179
STK79901	153	STR6456	163	STR54041	170	STR-B5452	179
STK79905B	153	STR6458	163	STR56041	170	STR-B5453	179
STR212	154	STR6652	163	STR57041	170	STR-B5454	179
STR370	154	STR6654	163	STR58041	170	STR-B5455	179
STR371	154	STR6656	163	STR58330-M	173	STR-B5456	179
STR380	154	STR6707	162	STR59041	170	STR-B5457	179

ALPHA-NUMERIC INDEX

STR-B5458	179	STR-F6629B	185	STR-S5708	160	STR-X6737M	207
STR-B5459	179	STR-F6632	185	STR-S5741	196	STR-X6750B	207
STR-D1005T	180	STR-F6652	185	STR-S5941	196	STR-X6750F	207
STR-D1816	180	STR-F6653	185	STR-S6301	197	STR-X6756	207
STR-D3010	167	STR-F6654	185	STR-S6301A	197	STR-X6757	207
STR-D3012	167	STR-F6655	185	STR-S6307	161	STR-X6757N	207
STR-D3013	167	STR-F6656	185	STR-S6308	161	STR-X6759	207
STR-D3015	167	STR-F6656L	185	STR-S6309	161	STR-X6759B	207
STR-D3020	167	STR-F6658B	185	STR-S6401	198	STR-X6759F	207
STR-D3023	167	STR-F6667B	185	STR-S6401F	198	STR-X6759N	207
STR-D3025	167	STR-F6672	185	STR-S6411	198	STR-X6768N	207
STR-D3030	167	STR-F6674	185	STR-S6411F	198	STR-X6769	207
STR-D3034	167	STR-F6676	185	STR-S6513	198	STR-X6769B	207
STR-D3035	167	STR-F6707	185	STR-S6525	199	STR-Y6453	208
STR-D5095A	168	STR-F9656	187	STR-S6545	198	STR-Y6456	208
STR-D6004	181	STR-G5551	188	STR-S6703	162	STR-Y6473	208
STR-D6008	181	STR-G5624	188	STR-S6704	162	STR-Y6476	208
STR-D6009E	181	STR-G5653	188	STR-S6707	162	STR-Y6735	209
STR-D6108	181	STR-G5853	189	STR-S6708	162	STR-Y6753	209
STR-D6601	183	STR-G6153T	189	STR-S6709	162	STR-Y6754	209
STR-D6602	183	STR-G6351	189	STR-T2224	200	STR-Y6763	209
STR-D6801	182	STR-G6352	189	STR-T2268	200	STR-Y6765	209
STR-D6802	182	STR-G6353	188	STR-T2268H	200	STR-Y6766	209
STR-E1555	184	STR-G6551	189	STR-V152	201	STR-Z2151	210
STR-E1565	184	STR-G6622	189	STR-V153	201	STR-Z2152	210
STR-F6138	185	STR-G6623	189	STR-W5753A	202	STR-Z2154	211
STR-F6168	185	STR-G6624	189	STR-W5754	202	STR-Z2156	210
STR-F6229	185	STR-G6632	189	STR-W6051S	202	STR-Z2156A	210
STR-F6238	185	STR-G6651	189	STR-W6052S	202	STR-Z2527	212
STR-F6264S	185	STR-G6652	189	STR-W6053S	202	STR-Z2586	212
STR-F6267S	185	STR-G6653	189	STR-W6251	203	STR-Z2587	212
STR-F6268S	185	STR-G8654A	189	STR-W6251D	203	STR-Z2588	212
STR-F6424S	185	STR-G8656	189	STR-W6252	203	STR-Z2589	212
STR-F6426S	185	STR-G9626	189	STR-W6252D	203	STR-Z3201	213
STR-F6428S	185	STR-G9628	189	STR-W6253	203	STR-Z4151	213
STR-F6454	185	STR-G9656	189	STR-W6253D	203	STR-Z4201	213
STR-F6456	185	STR-H2013	190	STR-W6654	204	STR-Z4202A	214
STR-F6467	185	STR-H3435	191	STR-W6723N	204	STR-Z4267	215
STR-F6468	185	STR-H7224	192	STR-W6734	204	STR-Z4316	215
STR-F6502	185	STR-L451	193	STR-W6735	204	STR-Z4317	215
STR-F6511	185	STR-L472	193	STR-W6735N	204	STR-Z4369	215
STR-F6512	185	STR-L474	193	STR-W6750F	204	STR-Z4479	215
STR-F6513	185	STR-L6452	193	STR-W6753	204	STR-Z4567	215
STR-F6514	185	STR-L6472	193	STR-W6754	204	STR-Z4569	215
STR-F6516	185	STR-M6329	194	STR-W6754L	204	STR-Z4579	215
STR-F6523	185	STR-M6511	194	STR-W6756	204	C0DAZY00028 ...	174
STR-F6524	185	STR-M6515	194	STR-W6756N	204	C5AA00000107	27
STR-F6535	185	STR-M6529	194	STR-W6765	204	C5AA00000196	28
STR-F6537	185	STR-M6547	194	STR-W6765E	204	C5BA00000105	59
STR-F6548	185	STR-M6549	194	STR-W6765N	204	C5HABZZ00007 ...	185
STR-F6552	185	STR-M6559	194	STR-W6851	206	C5HABZZ00014 ...	185
STR-F6553	185	STR-M6811A	194	STR-W6852	206	C5HABZZ00051 ...	167
STR-F6612	185	STR-M6831AF	194	STR-W6853	206	C5HABZZ00062 ...	170
STR-F6614	185	STR-S5041S	195	STR-W6854	206	C5HABZZ00080 ...	185
STR-F6616	185	STR-S5141G	196	STR-W6856	206	C5ZAZ0000083	53
STR-F6624	185	STR-S5703	160	STR-X6468N	207	EA33X8351	6
STR-F6626	185	STR-S5706	196	STR-X6729	207	ECG1024	6
STR-F6628	185	STR-S5707	160	STR-X6737	207	ECG1025	7

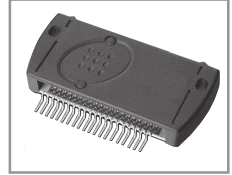
ALPHA-NUMERIC INDEX

ECG1027	6	ECG1646	154	ECG7074	124	NTE1337	10
ECG1028	9	ECG1719	154	ECG7075	142	NTE1338	22
ECG1090	7	ECG1732	63	ECG7076	144	NTE1339	22
ECG1139	7	ECG1733	119	ECG7125	78	NTE1340	10
ECG1148	7	ECG1734	120	ECG7126	78	NTE1343	46
ECG1212	6	ECG1735	120	GEIC-330	46	NTE1344	46
ECG1218	46	ECG1736	139	GEIC-331	46	NTE1345	57
ECG1219	46	ECG1737	146	HLX1402R	6	NTE1347	57
ECG1220	46	ECG1740	157	IRAMS06UP60A	63	NTE1356	91
ECG1252	6	ECG1741	157	IRAMS10UP60B	65	NTE1358	88
ECG1274	7	ECG1742	157	IRIS-A6131	175	NTE1359	46
ECG1279	4	ECG1743	157	IRIS-A6151	175	NTE1644	156
ECG1280	4	ECG1748	137	IRIS-A6159	175	NTE1645	154
ECG1281	4	ECG1815	98	IRIS-A6331	177	NTE1733	119
ECG1282	4	ECG1816	102	IRIS-A6351	177	NTE1734	120
ECG1315	102	ECG1817	102	IRIS-A6359	177	NTE1735	120
ECG1316	102	ECG1818	102	IRIS-A6372	177	NTE1736	139
ECG1317	102	ECG1819	102	IRIS-F6426S	185	NTE1737	146
ECG1318	112	ECG1820	111	IRIS-F6428S	185	NTE1740	157
ECG1319	97	ECG1821	122	IRIS-F6454R	185	NTE1741	157
ECG1320	4	ECG1822	122	IRIS-F6456S	185	NTE1742	157
ECG1321	4	ECG1823	126	IRIS-G5624A	188	NTE1743	157
ECG1322	4	ECG1824	136	IRIS-G5653	188	NTE1748	137
ECG1323	6	ECG1825	138	IRIS-G6351S	189	NTE1776	167
ECG1324	8	ECG1870	142	IRIS-G6353	188	NTE1777	167
ECG1325	8	ECG1871	102	IRIS-G6623	189	NTE1778	167
ECG1326	10	ECG1872	125	IRIS-G6624	189	NTE1796	170
ECG1327	10	ECG1874	102	IRIS-G6651	189	NTE1815	98
ECG1328	10	ECG1875	93	IRIS-G6653	188	NTE1816	102
ECG1329	46	ECG1876	119	IRIS-W6753	204	NTE1817	102
ECG1330	57	ECG1877	110	IRIS-W6756	204	NTE1818	102
ECG1331	57	ECG1878	22	IRIS-X6757	207	NTE1819	102
ECG1332	7	ECG1879	107	IX1112	102	NTE1820	111
ECG1333	4	ECG1880	113	JCV8007	45	NTE1821	122
ECG1334	5	ECG1881	122	JCV8008	47	NTE1822	122
ECG1335	5	ECG1882	98	NTE1024	6	NTE1823	126
ECG1336	9	ECG1883	117	NTE1027	6	NTE1824	136
ECG1337	10	ECG1884	125	NTE1028	9	NTE1825	138
ECG1338	22	ECG1885	133	NTE1139	7	NTE1839	167
ECG1339	22	ECG1886	159	NTE1218	46	NTE1840	170
ECG1340	10	ECG7021	144	NTE1219	46	NTE1841	170
ECG1341	10	ECG7022	122	NTE1274	7	NTE1867	156
ECG1342	4	ECG7023	122	NTE1281	4	NTE1868	156
ECG1343	46	ECG7024	115	NTE1282	4	NTE1870	142
ECG1344	46	ECG7025	143	NTE1315	102	NTE1871	102
ECG1345	57	ECG7026	116	NTE1316	102	NTE1872	125
ECG1346	4	ECG7027	121	NTE1317	102	NTE1874	102
ECG1347	57	ECG7028	123	NTE1318	112	NTE1876	119
ECG1356	91	ECG7029	105	NTE1320	4	NTE1877	110
ECG1357	88	ECG7030	98	NTE1323	6	NTE1878	22
ECG1358	88	ECG7031	98	NTE1326	10	NTE1879	107
ECG1359	46	ECG7032	100	NTE1327	10	NTE1880	113
ECG1360	88	ECG7033	143	NTE1328	10	NTE1881	122
ECG1546	154	ECG7034	124	NTE1329	46	NTE1882	98
ECG1548	154	ECG7035	113	NTE1330	57	NTE1883	117
ECG1553	154	ECG7036	114	NTE1331	57	NTE1884	125
ECG1644	156	ECG7037	116	NTE1333	4	NTE1885	133
ECG1645	154	ECG7038	126	NTE1336	9	NTE1894	170

ALPHA-NUMERIC INDEX

NTE1895	170	NTE7126	78	PAC10A	43	SK9891	98
NTE1896	167	NTE7140	110	PAC11A	44	SK9892	102
NTE1897	167	NTE7152	171	RH-IX1089A	10	SK9893	102
NTE7021	144	NTE7166	185	RH-IX1112	102	SK9897	102
NTE7022	122	NTE7178	28	SK3152	6	SK9898	138
NTE7023	122	NTE7179	27	SK3154	6	SK9902	122
NTE7024	115	NTE7180	27	SK3155	7	SK9987	88
NTE7025	143	NTE7181	27	SK3435	9	SK9994	157
NTE7026	116	NTE7187	108	SK3436	9	SK9995	157
NTE7027	121	NTE7211	33	SK3740	46	SK9996	157
NTE7028	123	NTE7212	33	SK3741	46	SK9997	22
NTE7029	105	NTE7220	45	SK3972	46	SK9998	57
NTE7030	98	NTE7224	204	SK4815	97	SK10007	4
NTE7031	98	NTE15012	157	SK7646	154	SK10029	139
NTE7032	100	NTE15018	157	SK7647	154	SK10030	146
NTE7033	143	NTE15019	157	SK7659	10	SK10086	159
NTE7034	124	NTE15020	157	SK7660	10	SK10140	102
NTE7035	113	NTE15021	157	SK7661	4	SK10141	102
NTE7036	114	NTE15031	107	SK7662	5	SK10161	142
NTE7037	116	NTE15034	105	SK7703	63	SK10164	125
NTE7038	126	PA301	7	SK7720	154	SK10166	93
NTE7046	197	PA400	7	SK7809	119	SK10168	110
NTE7073	197	PA401	7	SK7811	120	SK10169	107
NTE7074	124	PA500	7	SK7817	157	SK10170	113
NTE7075	142	PA500X	7	SK8988	136	SK10171	122
NTE7076	144	PA501	7	SK9189	57	SK10172	98
NTE7077	167	PA501X	7	SK9406	57	SK10173	117
NTE7078	170	PAC007A	106	SK9757	22	SK10174	125
NTE7079	170	PAC008A	98	SK9760	63	SK10175	133
NTE7092	165	PAC009A	105	SK9761	63	SK10490	156
NTE7093	166	PAC010A	43	SK9762	137	SK10491	154
NTE7094	166	PAC011A	44	SK9849	22	SK10492	154
NTE7095	166	PAC012A	43	SK9889	111		
NTE7125	78	PAC013A	44	SK9890	102		

SECTION 1
STK Integrated Circuits



Power audio amplifier output stage

STK0025	STK0050	ECG1279	ECG1342
STK0029	STK0055	ECG1280	ECG1346
STK0030	STK0059	ECG1281	NTE1281
STK0035	STK0060	ECG1282	NTE1282
STK0039	STK0070	ECG1320	NTE1320
STK0040	STK0080	ECG1321	NTE1333
STK0045	STK0100	ECG1322	SK7661
STK0049	STK0105	ECG1333	SK10007

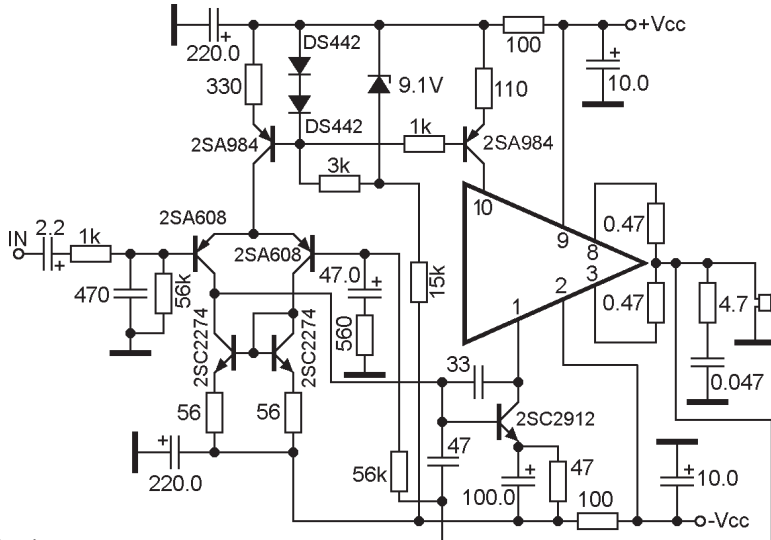
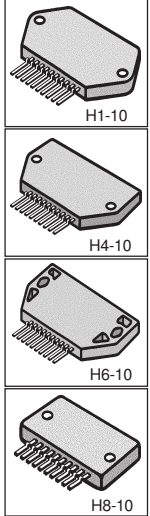


Fig.1

Applications:

- Hi-Fi home audio stereo systems

Features:

- Pin-to-pin compatible types in various cases with variable electrical characteristics
- Dual (bipolar, symmetrical) power supply
- Full complementary Darlington transistors paralleled output
- 20-100W output power
- Typ. 0.1% THD
- Designed to drive 8Ω loads

Fig.1 shows a application with discrete input stage

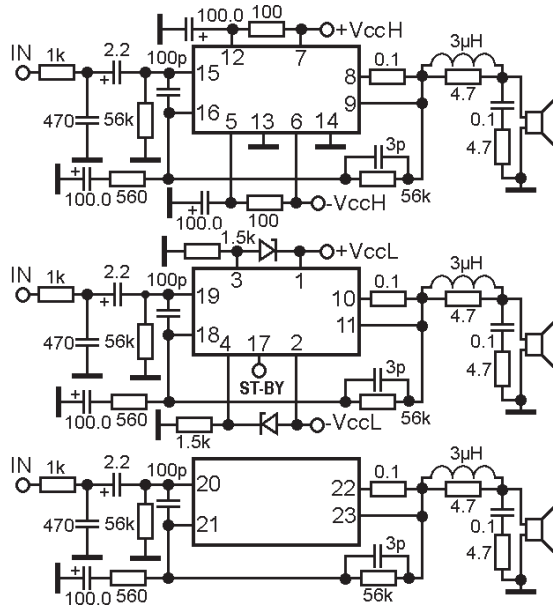
Type	Case	Uccmin	Uccmax	Icc0	Ioutmax	Poutmax	Rlnom	Bw	THD	Gv	Mnf
STK0025	H4-10	±23V	±35V	40mA	3A	23W	8Ω	20Hz-20kHz	0.1%	40dB	San
STK0029	H4-10	±24V	±37V	40mA	3.5A	25W	8Ω	20Hz-20kHz	0.1%	40dB	San
STK0030	H4-10	±26V	±40V	40mA	4A	30W	8Ω	20Hz-20kHz	0.1%	40dB	San
STK0035	H6-10	±26V	±40V	40mA	4A	30W	8Ω	20Hz-20kHz	0.1%	40dB	San
STK0039	H6-10	±28V	±45V	40mA	5A	35W	8Ω	20Hz-20kHz	0.1%	40dB	San
STK0040	H4-10	±31V	±48V	40mA	5A	40W	8Ω	20Hz-20kHz	0.1%	40dB	San
STK0045	H4-10	±31V	±48V	40mA	5A	40W	8Ω	20Hz-20kHz	0.1%	40dB	San
STK0049	H6-10	±32V	±50V	40mA	5A	45W	8Ω	20Hz-20kHz	0.1%	40dB	San
STK0050	H6-10	±33V	±53V	40mA	5A	50W	8Ω	20Hz-20kHz	0.1%	40dB	San
STK0055	H6-10	±33V	±53V	40mA	7A	50W	8Ω	20Hz-20kHz	0.1%	40dB	San
STK0059	H6-10	±35V	±53V	40mA	7A	55W	8Ω	20Hz-20kHz	0.1%	40dB	San
STK0060	H8-10	±36V	±55V	40mA	7A	60W	8Ω	20Hz-20kHz	0.1%	40dB	San
STK0070	H8-10	±38V	±55V	40mA	7A	70W	8Ω	20Hz-20kHz	0.1%	40dB	San
STK0080	H8-10	±42V	±65V	40mA	10A	80W	8Ω	20Hz-20kHz	0.1%	40dB	San
STK0100	H8-10	±45V	±75V	40mA	10A	100W	8Ω	20Hz-20kHz	0.1%	40dB	San
STK0105	H1-10	±45V	±75V	40mA	10A	100W	8Ω	20Hz-20kHz	0.1%	40dB	San
ECG1279	H6-10	±33V	±48V	40mA	5A	50W	8Ω	20Hz-20kHz	0.1%	40dB	Ecq
ECG1280	H6-10	±31V	±45V	40mA	5A	35W	8Ω	20Hz-20kHz	0.1%	40dB	Ecq
ECG1281	H6-10	±33V	±48V	40mA	5A	50W	8Ω	20Hz-20kHz	0.1%	40dB	Ecq
ECG1282	H6-10	±31V	±45V	40mA	5A	35W	8Ω	20Hz-20kHz	0.1%	40dB	Ecq

- Dual (bipolar, symmetrical) power supply
 - Built-in stand-by function (active: LOW)
- Fig.75 shows a typical application

Type	Case	U _{ccHmn}	U _{ccHmx}	U _{ccLmn}	U _{ccLmx}	I _{cc0}	P _{outmax}	R _{inom}	B _w	R _{in}	THD	G _v	Mnf
STK419-110	H3-20	±25V	±37V	±36V	±53V	60mA	2x50W	6Ω	20Hz-50kHz	55kΩ	0.2%	32dB	San
STK419-130	H3-20	±27V	±37V	±37V	±57V	60mA	2x60W	6Ω	20Hz-50kHz	55kΩ	0.2%	32dB	San
STK419-140	H3-20	±30V	±42V	±42V	±65V	60mA	2x80W	6Ω	20Hz-50kHz	55kΩ	0.2%	32dB	San

3-channel power audio amplifier with stand-by

STK416-090E
STK416-100E
STK416-120E
STK416-130E



H7-23

Applications:

- Hi-Fi home stereo audio systems

Features:

- Pin-to-pin and case compatible types with various electrical characteristics
- Dual (bipolar, symmetrical) power supply
- Built-in stand-by function (active: LOW)

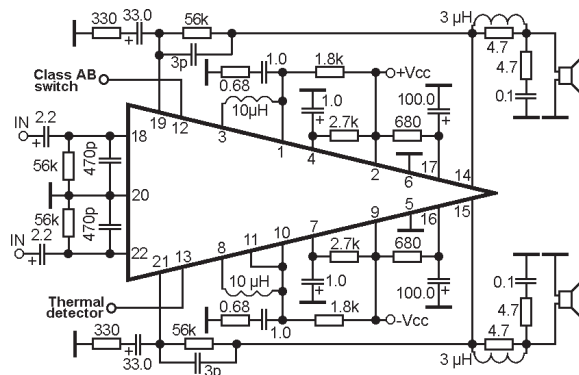
Fig.76 shows a typical application

Fig.76

Type	Case	U _{ccHmn}	U _{ccHmx}	U _{ccLmn}	U _{ccLmx}	I _{cc0}	P _{outmax}	R _{inom}	B _w	R _{in}	THD	G _v	Mnf
STK416-090E	H7-23	±25V	±36V	±36V	±53V	60mA	3x50W	8Ω	20Hz-50kHz	55kΩ	0.8%	30dB	San
STK416-100E	H7-23	±27V	±37V	±37V	±57V	60mA	3x60W	8V	20Hz-50kHz	55kΩ	0.8%	30dB	San
STK416-120E	H7-23	±30V	±42V	±42V	±65V	60mA	3x80W	8Ω	20Hz-50kHz	55kΩ	0.8%	30dB	San
STK416-130E	H7-23	±32V	±43V	±43V	±75V	60mA	3x100W	8Ω	20Hz-50kHz	55kΩ	0.8%	30dB	San

Dual power audio amplifier with thermal detector

STK426-530



H13-22

Applications:

- Hi-Fi home stereo systems

Features:

- Class-AB/H power audio amplifier

Fig.77

The **STK79315A** is a vertical deflection signal processor and output amplifier

Applications:

- Large screen ultra-high definition CRT displays

Features:

- Vertical deflection basic function (vertical oscillator, sawtooth waveform generator, output amplifier) built-in
- Vertical centering correction circuit built-in, variable over a wide range. DC controllable
- Pump-up circuit built-in for low power dissipation;
- High-current, high-withstand voltage output amplifier
- Wide vertical pull-in range, adjustment-free oscillator
- DC controllable vertical amplitude
- Quiescent current adjustment for zero crossover distortion in the output amplifier
- Wide supply range for all loads

Fig.267 shows a typical application

Type	Case	B _{Vout}	+B _V	I _{pmax}	I _{cc0}	FV _p	FV _{osc}	Mnf
STK79315A	H4-18	80V	14V	±2A	20mA	60Hz	120Hz	San

Deflection signal processor, vertical and horizontal power amplifier for CRT display

STK79901
STK79905B

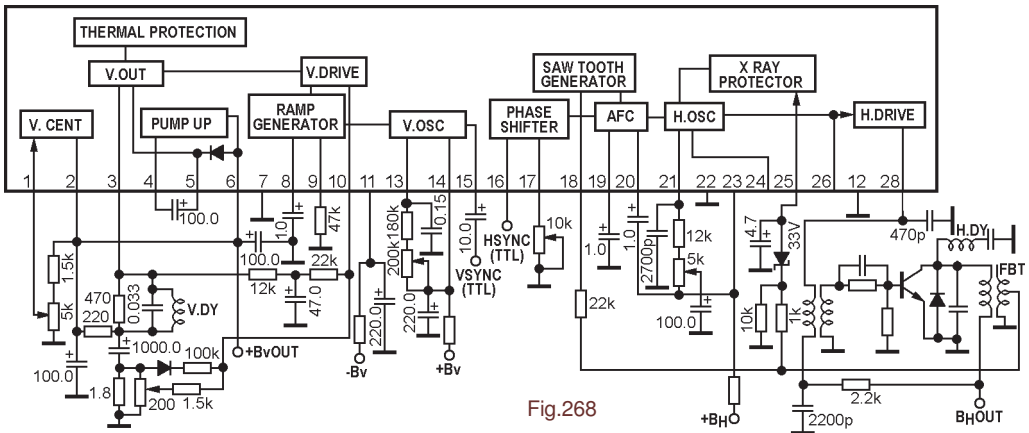
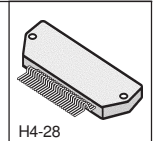


Fig.268

The **STK79901** and **STK79905B** are deflection signal processor with vertical and horizontal power amplifier

Applications:

- Large screen ultra-high definition CRT displays

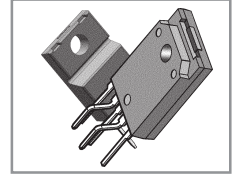
Features:

- Pin-to-pin and case compatible types with variable electrical characteristics
- Vertical and horizontal deflection basic function built-in
- Pump-up circuit built-in for low power dissipation
- High-current, high-withstand voltage output amplifier
- Wide supply range for all loads

Fig.268 shows a typical application

Type	Case	B _{Vout}	+B _V	+B _H	I _{pmax}	I _{cc28}	FV _p	FH _{osc}	Mnf
STK79901	H4-28	30V	14V	14V	±1.3A	200mA	60Hz	15750Hz	San
STK79905B	H4-28	30V	14V	14V	±1.5A	200mA	60Hz	15750Hz	San

SECTION 2
STR Integrated Circuits



Fixed output linear high voltage regulator for TV power supply

STR212
 STR370 ECG1546
 STR371 ECG1548
 STR380 ECG1553
 STR381 ECG1646
 STR382 ECG1719
 STR383 SK7646
 STR384 SK7647
 STR385 SK7720
 STR729 SK10492

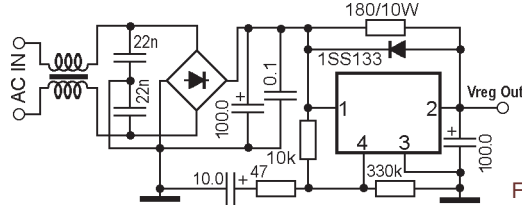
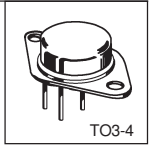


Fig.269



The **STR300** series ICs are linear fixed output high voltage regulators

Applications:

- B/W and colour TV power supplies

Features:

- Pin-to-pin and case compatible types with variable electrical characteristics
- Wide input voltage range
- High output current
- High line and load regulation characteristics (50mV/V, 50mV/mA)

Fig.269 shows a typical application

Type	Case	V _{inmin}	V _{inmax}	V _{outnom}	I _{outnom}	I _{outmax}	P _d	Mnf
STR212	TO3-4	95V	130V	111.8±0.8V	0.5A	1A	25W	Sak
STR370	TO3-4	95V	130V	109.8±0.8V	0.5A	1A	25W	Sak
STR371	TO3-4	95V	130V	114.8±0.8V	0.5A	1A	25W	Sak
STR380	TO3-4	110V	150V	122.8±0.8V	0.5A	1A	25W	Sak
STR381	TO3-4	110V	150V	129.4±0.7V	0.5A	1A	25W	Sak
STR382	TO3-4	110V	150V	125.0±0.8V	0.5A	1A	25W	Sak
STR383	TO3-4	110V	150V	120.0±0.8V	0.5A	1A	25W	Sak
STR384	TO3-4	110V	150V	123.0±0.8V	0.5A	1A	25W	Sak
STR385	TO3-4	110V	150V	126.8±0.8V	0.5A	1A	25W	Sak
STR729	TO3-4	110V	150V	129±0.8V	0.5A	1A	25W	Sak
ECG1546	TO3-4	110V	150V	129.4±0.7V	0.5A	1A	25W	Ecq
ECG1548	TO3-4	110V	150V	122.8±0.8V	0.5A	1A	25W	Ecq
ECG1553	TO3-4	110V	150V	126.8±0.8V	0.5A	1A	25W	Ecq
ECG1646	TO3-4	110V	150V	129±0.8V	0.5A	1A	25W	Ecq
ECG1719	TO3-4	110V	150V	120.0±0.8V	0.5A	1A	25W	Ecq
SK7646	TO3-4	110V	150V	122.8±0.8V	0.5A	1A	25W	Tce
SK7647	TO3-4	110V	150V	129.4±0.7V	0.5A	1A	25W	Tce
SK7720	TO3-4	110V	150V	127±0.7V	0.5A	1A	25W	Tce
SK10492	TO3-4	110V	150V	129±0.8V	0.5A	1A	25W	Tce

Fixed output self exciting switching type voltage regulator for TV SMPS

STR440
 STR441
 STR442
 ECG1645
 NTE1645
 SK10491

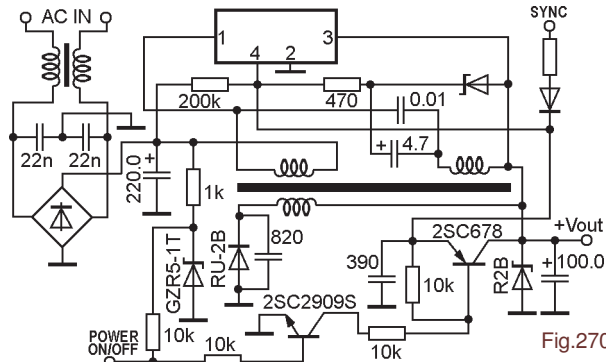
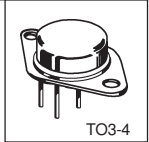


Fig.270



The **STR440** series ICs are fixed output self exciting switching type voltage regulators

Applications:

- B/W and colour TV power supplies

Features:

- Pin-to-pin and case compatible types with variable electrical characteristics
- Bipolar power devices
- Feedback control for high output voltage precision

- overload protection, auto restart
 - thermal shutdown, with latch
 - Low-EMI noise operation, through PRC (fixed off-time, variable on-time)
- Fig.303 shows a typical application

Type	Case	V _{inmin}	V _{inmax}	V _{dss}	R _{ds}	P _d	F _{osc}	Mnf
STR-A6051M	DIP-8	85V	264V	650V	3.95Ω	12W	67kHz	Sak
STR-A6052M	DIP-8	85V	264V	650V	2.8Ω	16W	67kHz	Sak
STR-A6053M	DIP-8	85V	264V	650V	1.9Ω	20W	67kHz	Sak
STR-A6059H	DIP-8	85V	264V	650V	6.0Ω	8W	100kHz	Sak
STR-A6061H	DIP-8	85V	264V	700V	3.95Ω	10W	100kHz	Sak
STR-A6062H	DIP-8	85V	264V	700V	2.8Ω	13W	100kHz	Sak
STR-A6069M	DIP-8	85V	264V	700V	6.0Ω	8W	100kHz	Sak
STR-A6079M	DIP-8	85V	264V	800V	19.2Ω	5W	67kHz	Sak
C0DAZYY00028	DIP-8	85V	264V	650V	6.0Ω	8W	100kHz	Pan

Fine regulated low dropout linear voltage regulator

STR90050
STR90090
STR90120
STR90150

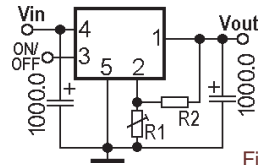
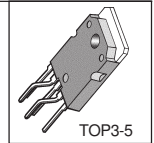


Fig.304



The **STR9000** series ICs are adjustable output linear type voltage regulators

Applications:

- Stabilization of the secondary stage of switching power supplies
- Electronic equipment

Features:

- Pin-to-pin and case compatible types with variable electrical characteristics
- High output current (2.0A)
- Low dropout voltage (V_d<1V at I_{out}=4A)
- Output voltage adjustment
- Output ON/OFF control
- Built-in drooping type overcurrent protection circuit
- Built-in foldback overcurrent protection circuits

Fig.304 shows a typical application

Type	Case	V _{inmin}	V _{inmax}	V _{outnom}	I _{outmx}	I _{outn}	P _d	Mnf
STR90050	TOP3-5	6V	25V	5V	4A	2A	50W	Sak
STR90090	TOP3-5	12V	25V	9V	4A	2A	50W	Sak
STR90120	TOP3-5	15V	25V	12V	4A	2A	50W	Sak
STR90150	TOP3-5	25V	45V	15V	4A	2A	50W	Sak

Off-line SMPS primary switcher

STR-A6131
STR-A6131M
STR-A6132
STR-A6151
STR-A6151M
STR-A6153E
STR-A6159
STR-A6159M
STR-A6169
IRIS-A6131
IRIS-A6151
IRIS-A6159

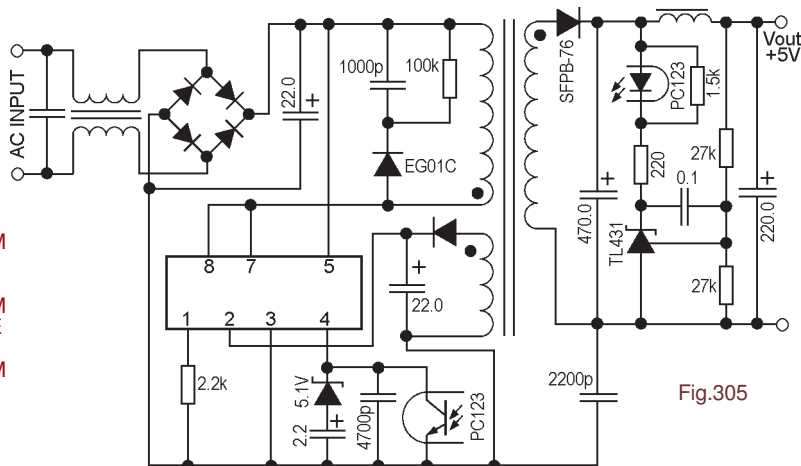
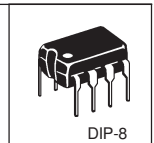


Fig.305



Applications:

- TV

Features:

- Soft start
- Constant off time
- PWM frequencies between 70...80kHz
- Two avalanche-rated power MOSFET
- Under-voltage lockout with hysteresis
- Integrated protection types are:
 - Pulse-by-pulse current limiting
 - Under voltage lockout with hysterezis
 - Latched over-voltage and and thermal shutdown protection
 - Latched external fault signal

Fig.351 shows a typical application

Type	Case	V _{in} (AC)	V _{dss}	R _{ds(on)mx}	I _{dmax}	P _d	F _{osc}	Mnf
STR-Z4202A	SLA-15	85..264V	600V	0.23Ω	2A	120W	200kHz	Sak

Off-line current resonant switching type voltage regulator for TV SMPS



- STR-Z4267
- STR-Z4316
- STR-Z4317
- STR-Z4369
- STR-Z4479
- STR-Z4567
- STR-Z4569
- STR-Z4579

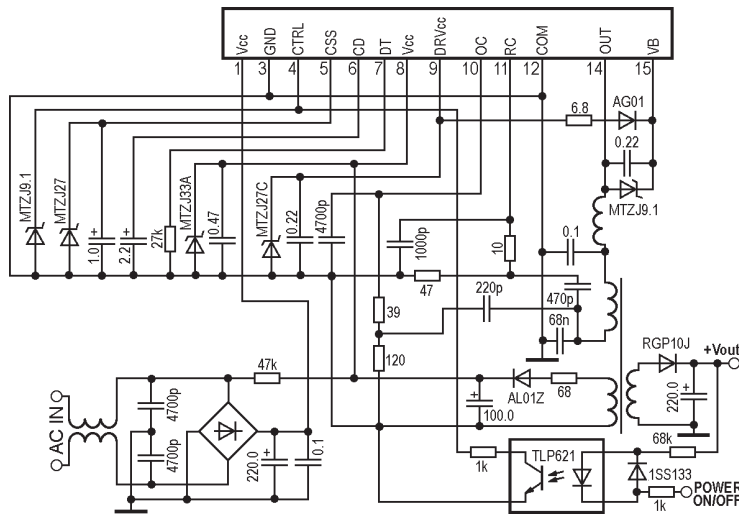


Fig.352

The listed integrated circuits are off-line current-resonant PWM converters operating in a variable frequency mode. The devices incorporates the primary control and drive circuit with two discrete avalanche-rated high-voltage power MOSFET.

Applications:

- LCD and PDP (Plasma Display panel) TV

Features:


- Pin-to-pin and case compatible types with variabe electrical characteristics
- Soft start
- Constant off time
- PWM frequencies between 120...200kHz
- Two avalanche-rated power MOSFET
- Under-voltage lockout with hysteresis
- Integrated protection types are:
 - Pulse-by-pulse current limiting
 - Under voltage lockout with hysterezis
 - Latched over-voltage and and thermal shutdown protection
 - Latched external fault signal

Fig.352 shows a typical application

Type	Case	V _{in} (AC)	V _{dss}	R _{ds(on)mx}	I _{dmax}	P _d	F _{osc}	Mnf
STR-Z4267	HSOP-15	85..264V	500V	0.14Ω	2A	100W	120kHz	Sak
STR-Z4316	HSOP-15	85..264V	600V	0.23Ω	2A	100W	140kHz	Sak
STR-Z4317	HSOP-15	85..264V	600V	0.25Ω	2A	100W	140kHz	Sak
STR-Z4369	HSOP-15	85..264V	600V	0.27Ω	2A	100W	140kHz	Sak
STR-Z4479	HSOP-15	85..264V	650V	0.21Ω	2.2A	120W	160kHz	Sak
STR-Z4567	HSOP-15	85..264V	800V	0.23Ω	2.2A	120W	160kHz	Sak
STR-Z4569	HSOP-15	85..264V	800V	0.18Ω	2.5A	120W	200kHz	Sak
STR-Z4579	HSOP-15	85..264V	800V	0.17Ω	2.5A	140W	200kHz	Sak

TURUTA ELECTRONICS WORLD-

course of information for repair technicians about technical info, appliance schematics, datasheets, download e-books, semiconductors information resource
<http://www.turuta.md>



TURUTA ELECTRONICS WORLD

SEMICONDUCTOR COMPONENT DATABOOKS, SERVICE MANUALS, DATASHEETS, REPAIR TECHNOLOGIES INFO

[Carre Migration Australia](#) Visa Advice and Management of Skilled, 457, ENS, Family visas www.camigration.com.au
[Local Jewish Federations](#) Find out where to connect near you Community involvement; Philanthropy www.jewishfed.com
[International Movers](#) Get fast and easy quotes, from several international movers. www.intlmovers.com

AdChoices ▶

ELECTRONIC FORMAT DATABOOKS

ABOUT US
[Buying options, terms and condition](#)
Contact us
FREE TECH INFO
[Appliance schematics](#)
[Power supply schematics](#)
[Service mode and options](#)
[TV model to chassis cross reference](#)
[Ddatasheets](#)
[Integrated circuits cross reference](#)
[Electronic components manufacturer list](#)
MEMBERS AREA
[Become a member today!](#)
FAQs
[Frequently asked question](#)
SEARCH ON SITE:



Google™
Custom Search


NEW! • SMD-codes databook, 2011 Edition 

A new, 2011 edition SMD-codes databook in electronic format from a known author Eugene Turuta presents the SMD-codes for active semiconductor components. This book includes now 170.300 SMD-codes for different semiconductors like diodes, thyristors, transistors and ICs.

[Make PayPal payment by regular price 25€.](#)

Buy Now


     


NEW! • STK and STR integrated circuits, 2011 Edition 

A new data book about the common and very popular STK (Sanyo) and STR (Sanken) hybrid integrated circuits. Over 1.600 circuits from STK0025 to STR-Z4579. Schematic of connection, application, short description, table of characteristics with all common parameters, replacements, case outline drawings available for all integrated circuits.

[Make PayPal payment by regular price 24€.](#)

Buy Now

NEW! • Integrated circuits- power audio amplifiers, 2011 Edition 

A new, 2011 edition data book in electronic format from a known author Eugene Turuta presents the standard and modified circuit diagram, short description, electrical characteristics, pinouts and conventional case drawings of the integrated circuits - power audio amplifiers. This book includes about 6560 most popular integrated circuits - power (final) audio amplifiers and for today is the most complete databook in the world.

Turuta Electronic Worlds allow you to download sample of "SMD-codes databook, 2011 edition", "Power audio amplifiers- integrated circuits, 2011 edition", "STK and STR integrated circuits, 2011 edition", "SMD-codes databook, 2010 edition" and more.

You can buy complete version of e-format (pdf) "SMD-codes databook, 2011 edition", "Power audio amplifiers-integrated circuits, 2011 edition", "STK and STR integrated circuits, 2011 edition", "SMD-codes databook, 2010 edition", and more.

We accept PayPal payments from any country, Moneybookers payments from any country, International Money Transfer Systems such as: Anelik, Contact, Leader, RIA, UniStream, Western Union.

Turuta Electronic Worlds products are available on e-format (pdf file) only and via electronic delivery only. After payment, within 72 hours you will receive an email with the attached book (pdf file). Should we experience any issue sending the data over to you, we will notify you. If after 72 hours you do not receive any email from us please let us know.

Also you can free download appliance schematic diagram, power supply schematic diagram, datasheets and other.

In case if you have any questions, proposals or suggestions feel free to contact the author of the book at the e-mail address

eturuta@gmail.com





© 2011 Copyright Eugeniu Turuta

© 2011 Copyright Mihai Turuta

Toronto, 2011 edition

Chisinau, 2011 edition