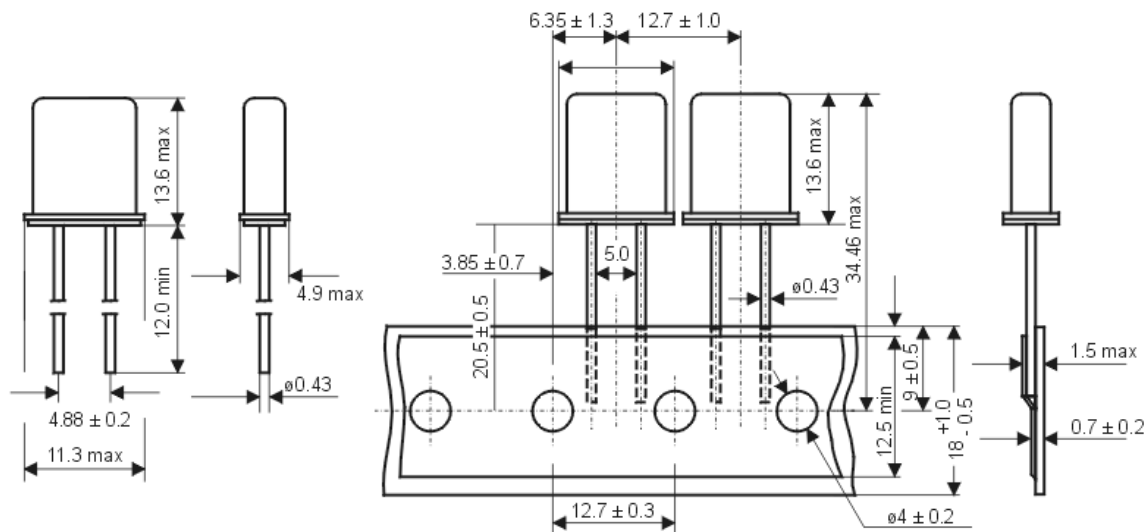




QUARTZ CRYSTALS

HC-49/U

| | | |
|---------------------------------------|-----------------------------------|--------------------------|
| model | KX-49 | |
| frequency range | 1,84320 ~ 30 MHz | |
| mode | fundamental | |
| operating temperature | standard | -20° ~ + 70°C |
| | available | -40° ~ + 85°C (= KX-49T) |
| | available | -40° ~ +105°C (= KX-49E) |
| frequency tolerance at +25°C | standard: | ± 30 ppm |
| | available: | ± 5 ~ 50 ppm |
| temperature tolerance at -20° ~ +70°C | standard: | ± 50 ppm |
| | available: | ± 5 ~ 50 ppm |
| load capacitance C_L | standard: | 30 pF |
| | available: | 10 ~ 30 pF |
| series resonance R_1 max. | 1,8432 | 600 Ohm |
| | 2,0 | 400 Ohm |
| | 2,4576 | 200 Ohm |
| | 3,0 | 150 Ohm |
| | > 4,0 | 60 Ohm |
| aging (first year) | ± 5 ppm | |
| shunt capacitance C_0 max. | 7 pF | |
| drive level mW max | 0,5 ~ 2 | |
| RoHS | started from date code July, 2005 | |
| part no. | 12.81100 ~ 12.81999 | |



taped crystals upon request