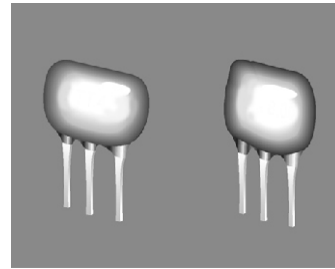


# Resonator THT Ceramic, 3 Pin

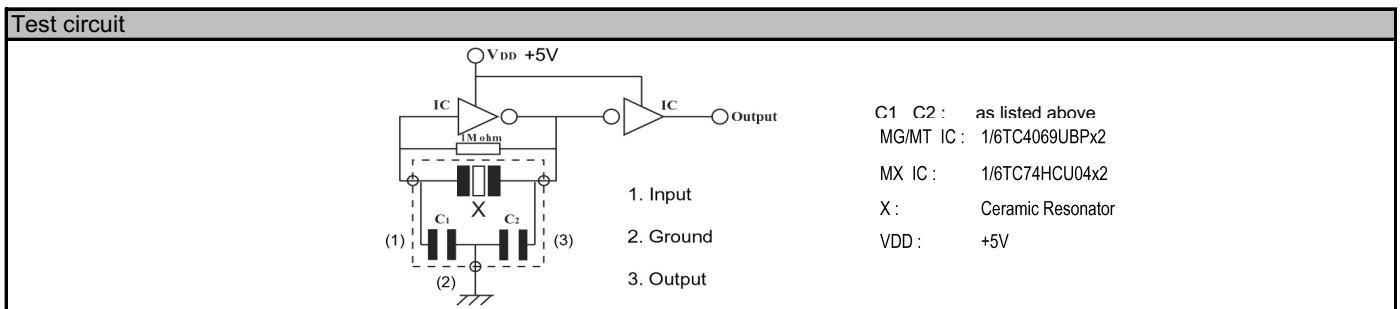
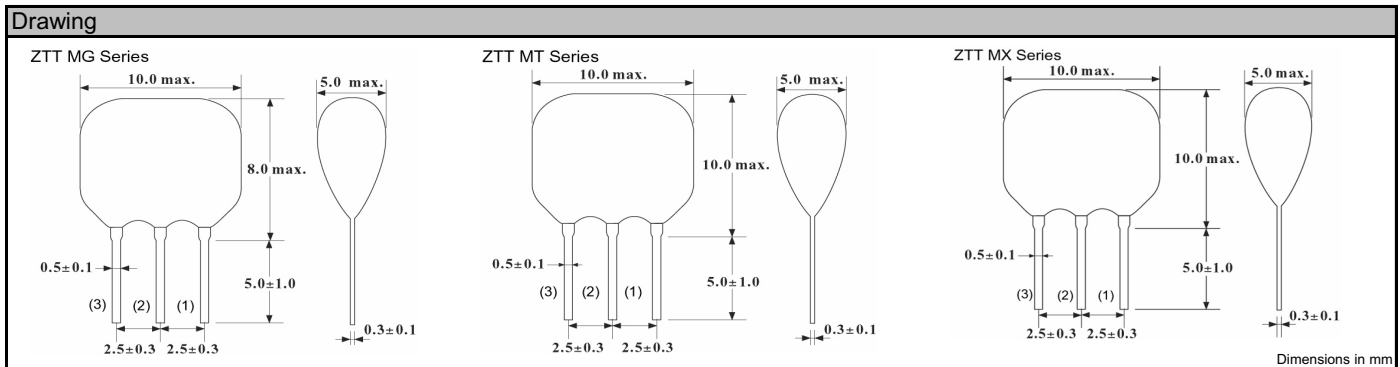


ZTT/MG  
ZTT/MT  
ZTT/MX

**Features:**

- Built-in capacitors
- Low cost
- Consumer electronics
- Microprocessor systems
- Excellent for automotive applications

Specifications		ZTT						
Part		ZTT/MG	ZTT/MG	ZTT/MG	ZTT/MT	ZTT/MX	ZTT/MX	ZTT/MX
Frequency range (MHz)		1.84 ~ 2.99	3.00 ~ 3.49	3.50 ~ 8.00	8.00 ~ 13.00	13.01 ~ 20.00	20.01 ~ 25.99	26.00 ~ 50.00
Frequency accuracy (25°C)		±0.5 %	±0.5 %	±0.5 %	±0.5 %	±0.5 %	±0.5 %	±0.5 %
Temperature stability (-20°C ~ +80°C)		±0.3 %	±0.3 %	±0.3 %	±0.3 %	±0.3 %	±0.3 %	±0.3 %
Aging (over 10 years)		±0.3 %	±0.3 %	±0.3 %	±0.3 %	±0.3 %	±0.3 %	±0.3 %
Build-in load capacitance ( pF )	C1	30 ±20%	30 ±20%	30 ±20%	22 ±20%	30 ±20%	15 ±20%	5 ±20%
	C2	30 ±20%	30 ±20%	30 ±20%	22 ±20%	30 ±20%	15 ±20%	5 ±20%
Resonant impedance (Ω) max.		80	50	30	25	30	30	30



**Order key**

R	- 13.000000M	- ZTT/MT	- 0.5	- 0.3	- H	- 22/22
Part	Frequency	Type/Package	Frequency tolerance	Temperature tolerance	Temperature range	Internal load capacitance
R=Resonator	M=MHz	ZTT/MG ZTT/MT ZTT/MX	±% (25°C)	±% (Temp. range)	H=-20°C ~ +80°C	pF C1/C2

Remarks: All specifications subject to change without notice!