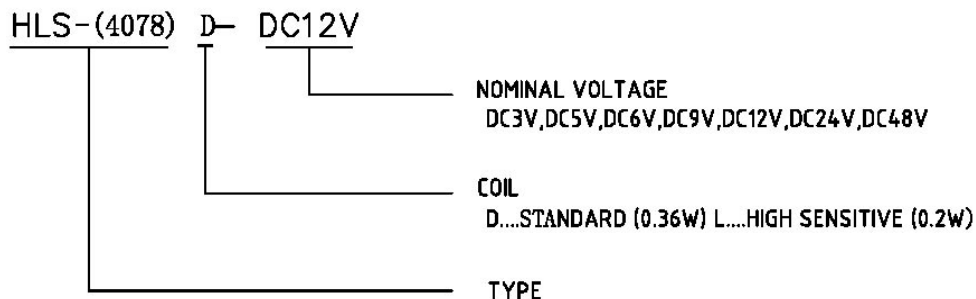




# HLS-4078 Series Relay

ORDERING CODE 订购代码



## CONTACT DATA : 触点参数 :

Contact Form 触点形式	2C
Contact Material 触点材料	Ag+Au
Contact Ratings 触点负载	1A 120VAC/24VDC
Max Switching Voltage 最大转换电压	240VAC/60VDC
Max Switching Current 最大转换电流	2A
Max Switching Power 最大转换功率	120VA/30W
Initial Contact Resistance 接触电阻 (首次)	50m Max at 6VDC 1A
Life Expectancy Electrical 电气寿命	100,000 Operations (rated load)
Life Expectancy Mechanical 机械寿命	10,000,000 Operations (no load)

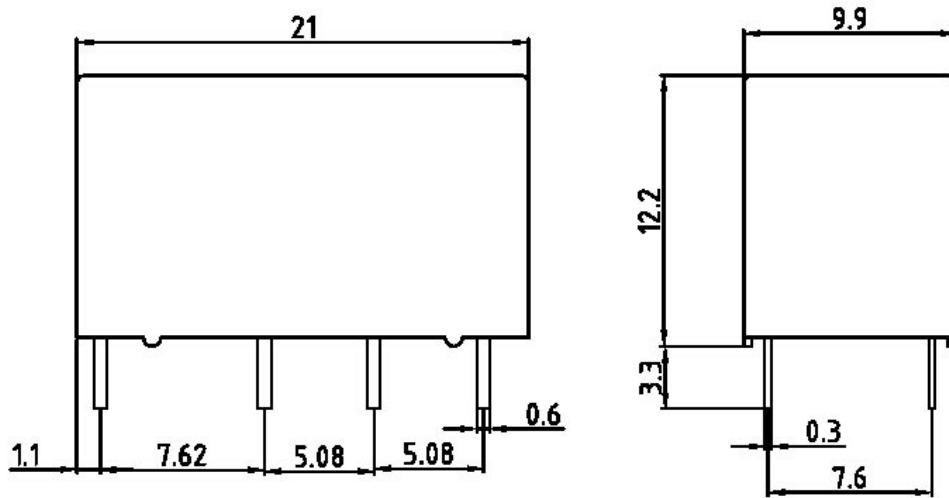
## GENERAL DATA : 一般参数 :

Insulation Resistance 绝缘阻值	100M Min at 500VDC	
Dielectric Strength Between Open Contacts 触点间耐压	500VAC 50-60HZ ( 1 minute )	
Dielectric Strength Between Contacts And Coil 触点与线圈间耐压	1000VAC 50-60HZ ( 1 minute)	
Operate Time 吸合时间	6ms max	
Release Time 释放时间	4ms max	
Ambient Temperature 环境温度	-30 to+70	
Shock Resistance 冲击	Malfunction 动作极限	10G
	Destruction 破坏极限	15G
Vibration Resistance 振动	10-55Hz,1.5mm double amplitude	
Ambient humidity 湿度	40-85% RH	
Weight 重量	Approx 5g	
Safety Standard 安全标准	CE CQC	

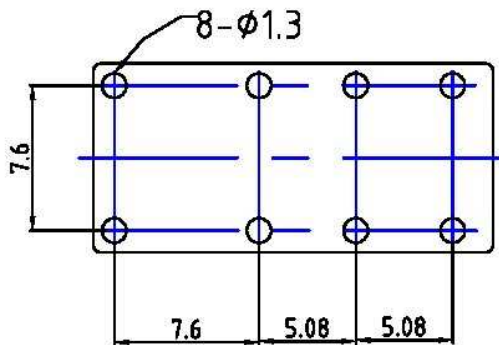
**COIL DATA: 线圈参数: (@20 )**

Rated Voltage 额定电压 (VDC)	Coil Resistance (±10%) 线圈阻值			Max Operate Voltage 最大吸合电压 (VDC)	Min Release Voltage 最小释放电压 (VDC)	Max Applied Voltage 最大负载电压 (VDC)
	0.2W	0.36W	0.45W			
3	45	25	20	2.25	0.3	3.9
5	125	70	50	3.75	0.5	6.5
6	180	100	80	4.5	0.6	7.8
9	405	225	180	6.75	0.9	11.7
12	720	400	320	9	1.2	15.6
24	2800	1600	1280	18	2.4	31.2
48		6400	5100	36	4.8	62.4

**Outline Dimension (mm) 外形尺寸(mm)**

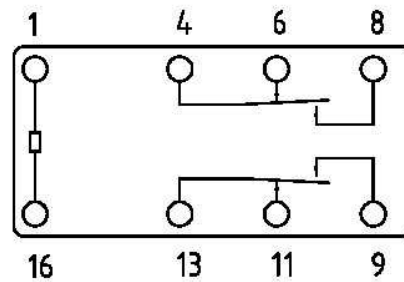


**PC Board Layout 安装图**



**(Bottom View)**

**Wiring Diagram 接线图**



**(Bottom View)**