

VHF chokes with ferrite core
Rated voltage 500 V dc/ac
Rated current 0,1 to 6 A
Rated inductance 7 to 1200 μ H



Construction

- Ferrite cylinder core
- Winding: single-layer, enamel copper wire
- Polyester insulating sleeve

Features

- High resonance frequency
- Wide inductance range

Applications

- RF blocking and filtering
- Interference suppression in small appliances
- Decoupling in telecommunications and entertainment electronics

Marking


L_R and I_R in clear text and VDE mark

Delivery mode

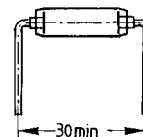
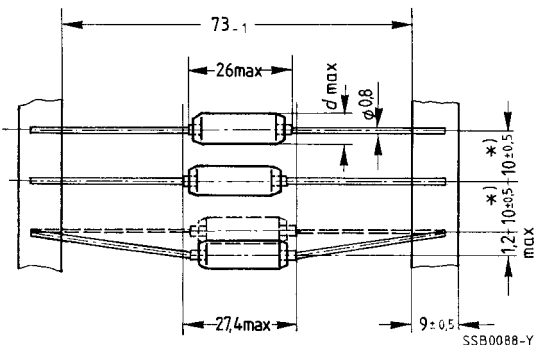
Taped and reeled

For details on packing and packing units [see page 207](#)

Approvals

Approval mark	Standard
	VDE 0565-2

Dimensional drawing



*) Tolerance over 10 spacings ± 2 mm

Characteristics and ordering codes

 For further technical data [see page 194](#)

I_R	L_R	R_{typ}	f_{res}	Approx. weight	Dimensions	Ordering code
A	μH	Ω	MHz	g	d_{max} mm	
0,1	1200	34	16	2,2	6,0	B82111-E-C29
0,2	680	14	19	2,2	6,0	B82111-E-C28
0,3	470	6,5	25	2,3	6,0	B82111-E-C27
0,5	220	2,6	32	2,3	6,5	B82111-E-C26
1	100	0,65	55	2,5	6,5	B82111-E-C25
1,5	56	0,30	70	2,7	6,5	B82111-E-C24
2	40	0,18	90	3,0	7,0	B82111-E-C23
3	22	0,07	110	3,3	7,0	B82111-E-C22
4	12	0,04	140	3,5	7,5	B82111-E-C21
6	7	0,02	180	3,6	7,5	B82111-E-C20

Impedance $|Z|$
 versus frequency f
 (typical values)

B82111-E-

