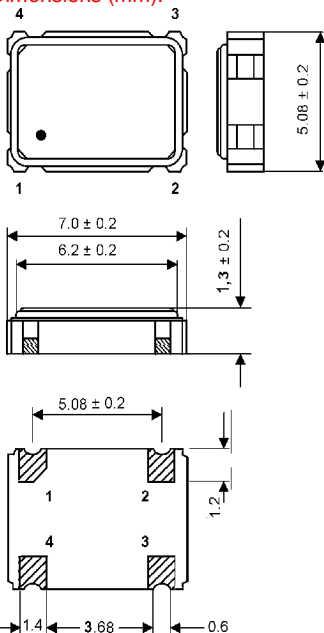


# Clock Oscillator SMD-version

+1,8 / +2,5 / +3,0 / +3,3V

model	KXO-V97		
frequency range	1,0 ~ 50,0 MHz		
frequency stability at -20° ~ + 70°C	± 50 ppm		
at -40° ~ + 85°C	± 100 ppm		
at -40° ~ +105°C	± 120 ppm		
operating temperature	standard	-20° ~ + 70°C	
	available	-40° ~ + 85°C (=KXO-V97T)	
	available	-40° ~ +105°C (=KXO-V97E)	
storage temperature	-40° ~ +85°C		
symmetry	50% ± 10% at ½ V <sub>DD</sub> level		
rise & fall time max.	6 ns		
"0" level max.	+ 0,4V		
"1" level min.	V <sub>DD</sub> -0,5V		
input voltage V <sub>DD</sub>	standard + 3,3V ± 10%		
	available +1,8V ± 5%/ +2,5V ± 5%/ +3,0V ±10%		
input current max.		+1,8V	+2,5V
	1,0 ~ 20,0 MHz	3,5 mA typ., 6,0 mA max.	4,0 mA typ., 11,0 mA max.
output load HCMOS		4,0 mA typ., 6,0 mA max.	4,0 mA typ., 6,0 mA max.
	20,1 ~ 50,0 MHz	4,5 mA typ., 6,0 mA max.	6,0 mA typ., 11,0 mA max.
start up time max.	10 ms		
tristate function	yes		
disable delay time	100 ns max.		
enable delay time	4 ms max.		
random jitter	7ps max.		
peak to peak jitter	40ps max.		
contents of reel	1000 pcs.		
part no.	12.xxxxx		

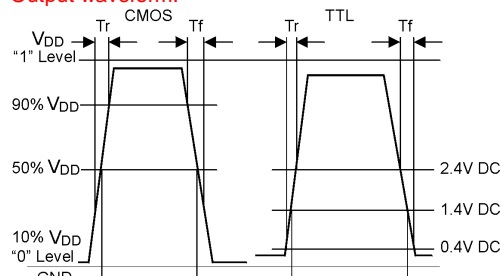
### Dimensions (mm):



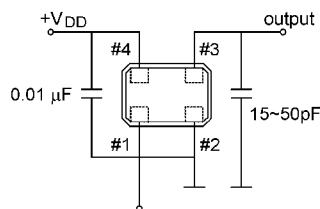
PIN	CONNECTION
1	"L" (OV) "H" or OPEN
2	GND
3	Z OUTPUT
4	V <sub>DD</sub>

Z: high impedance

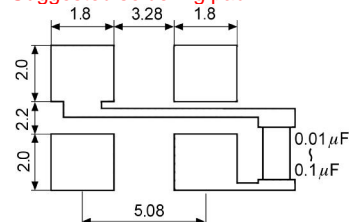
### Output waveform:



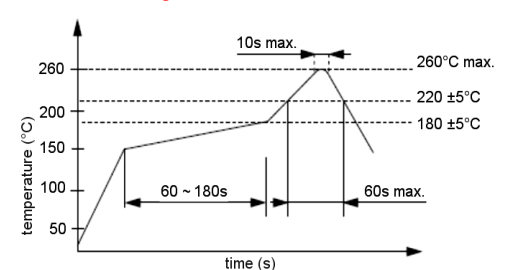
### Test circuit:



### Suggested soldering pad:



### Reflow soldering condition:



### Tape specification:

