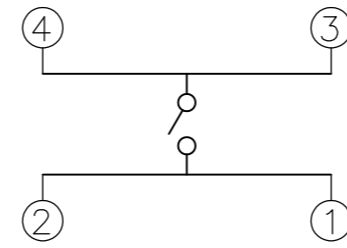
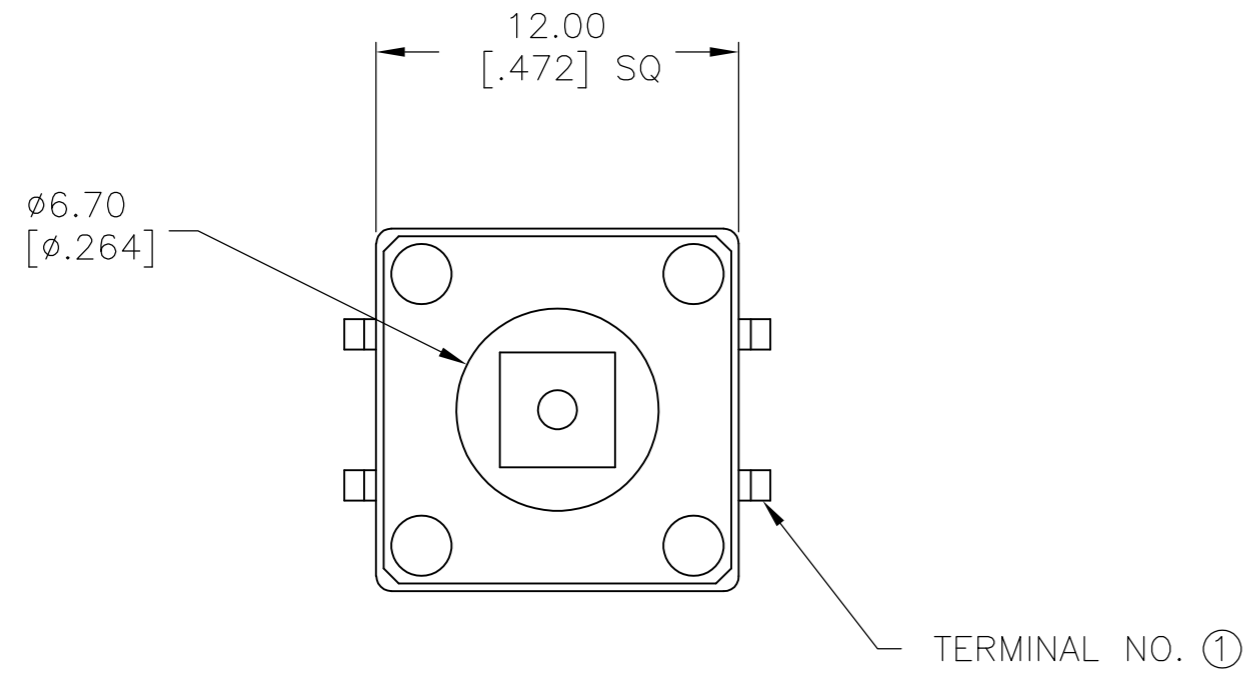


THIS DRAWING IS UNPUBLISHED. RELEASED FOR PUBLICATION 1437565-5, 1437565-5  
 © COPYRIGHT 1437565-5 ALL RIGHTS RESERVED.

LOC	DIST	REVISIONS			
P	LTR	DESCRIPTION	DATE	DWN	APVD
AD	00	E2	REVISED PER ECO-11-004587	11MAR11	RK HMR



CIRCUIT DIAGRAM

NOTE: TERMINAL NUMBERS ARE FOR REFERENCE ONLY AND DO NOT APPEAR ON SWITCHES.

**SPECIFICATIONS:**

**MATERIALS:**

CASE: PBT G30, 94HB, BLACK.  
 COVER: PET FILM.  
 ACTUATOR BUTTON: ACETAL, BLACK.  
 MOVING CONTACT: PHOS.BRONZE, SILVER CLAD.  
 FIXED CONTACT/TERMINAL: BRASS. SILVER PLATE.

**ELECTRICAL:**

MAX CONTACT RATING: 50MILLIAMPS@24V DC  
 MIN CONTACT RATING: 10MICROAMPS@1V DC  
 CONTACT RESISTANCE: 100 MILLIOHMS MAX.  
 INSULATION RESISTANCE: 100 MEGOHMS MIN. @ 100 VDC.  
 DIELECTRIC STRENGTH: 500 VAC  
 LIFE EXPECTANCY: 100,000 CYCLES MIN.

**MECHANICAL:**

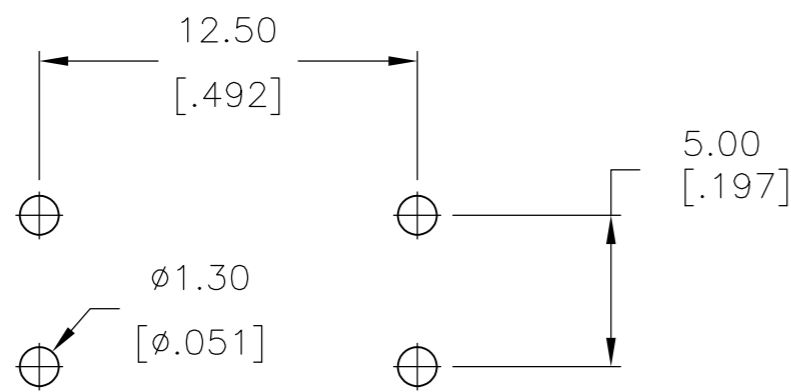
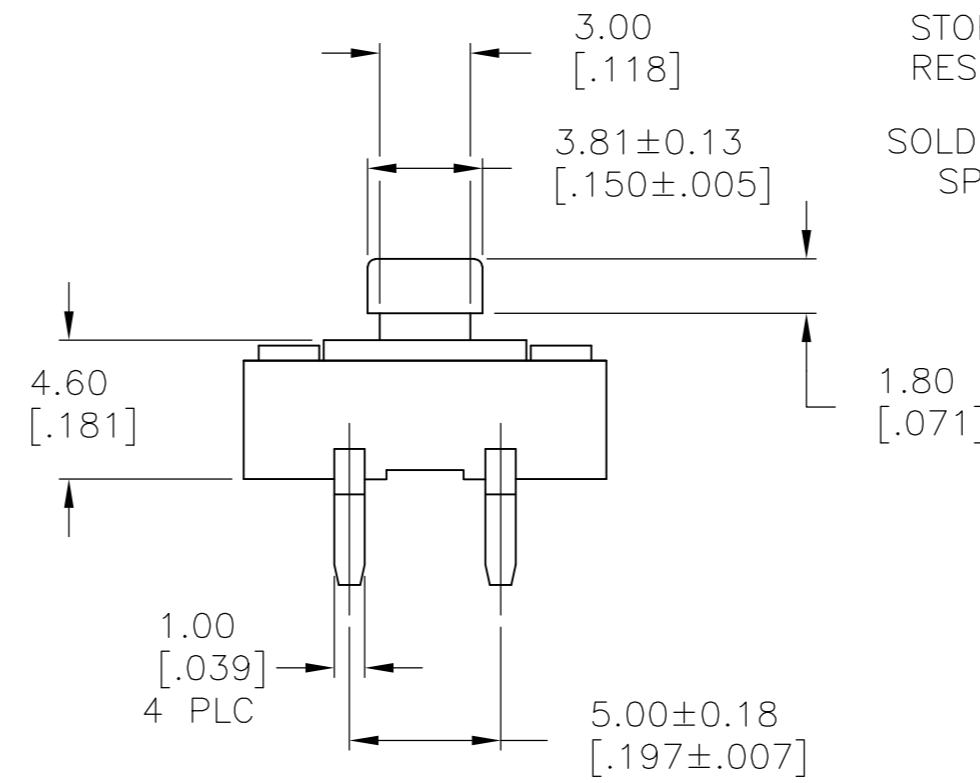
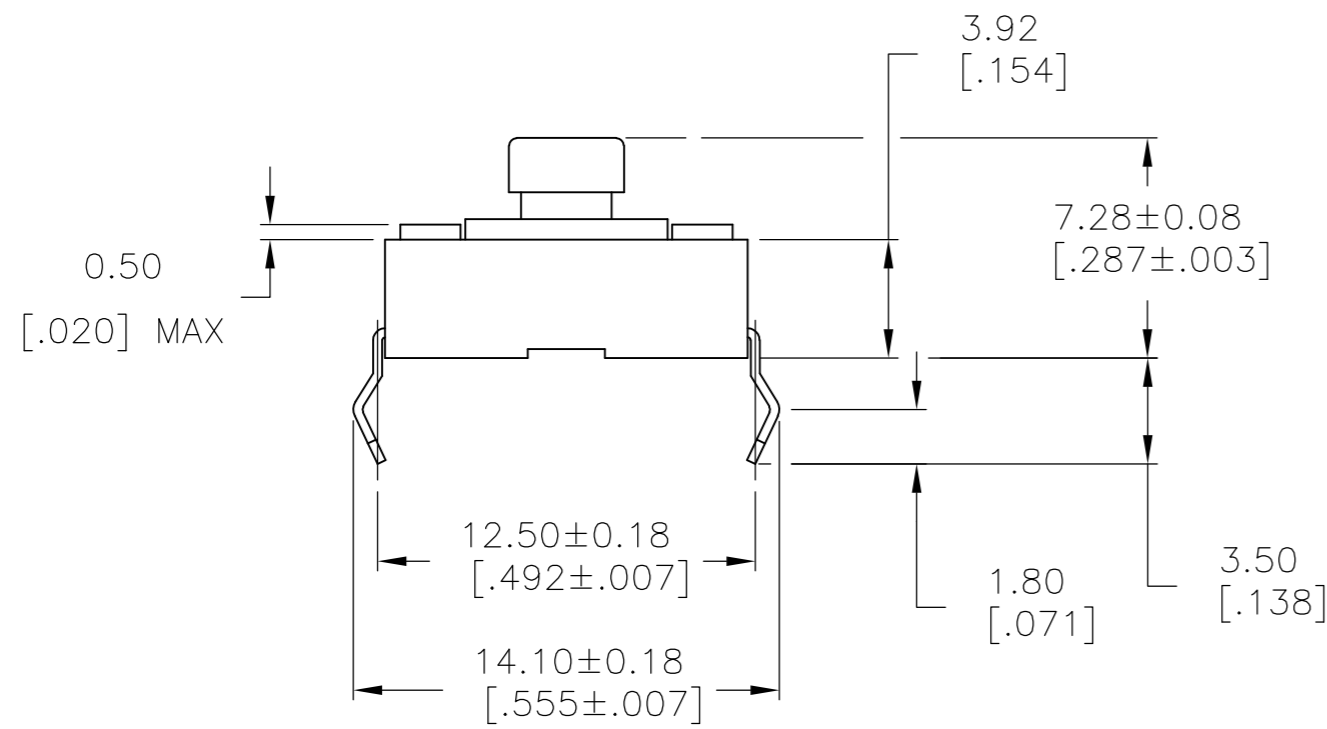
ACTUATION FORCE: 160 ±30 GRAMS.  
 ACTUATION TRAVEL: 0.30mm (.012 in.) APPROX.

**ENVIRONMENTAL:**

OPERATING TEMPERATURE: -35°C TO +85°C.  
 STORAGE TEMPERATURE: -35°C TO +85°C.  
 RESISTANCE TO SOLDER HEAT PER 109-202, COND B 265°C FOR 10 SECONDS

**SOLDERABILITY:**

SPECIFICATION EIA-364-52, CLASS II, CATEGORY 1



RECOMMENDED HOLE LAYOUT

TOLERANCE ±.002 UNLESS OTHERWISE NOTED

260±50g	RED	FSM103A	1571627-1
160±50g	BLACK	FSM103	1437565-5
ACTUATOR FORCE	ACTUATOR COLOR	FORMER T&B PART NUMBER	PART NUMBER

THIS DRAWING IS A CONTROLLED DOCUMENT.		DWN	R BROWN	12FEB04																					
DIMENSIONS: mm [INCHES]		CHK	M SARVER	12FEB04																					
TOLERANCES UNLESS OTHERWISE SPECIFIED:		APVD	M SARVER	12FEB04																					
<table border="1"> <tr><td>0 PLC</td><td>±</td><td>-</td></tr> <tr><td>1 PLC</td><td>±</td><td>-</td></tr> <tr><td>2 PLC</td><td>±</td><td>0.30[.012]</td></tr> <tr><td>3 PLC</td><td>±</td><td>-</td></tr> <tr><td>4 PLC</td><td>±</td><td>-</td></tr> <tr><td>ANGLES</td><td>±</td><td>-</td></tr> <tr><td>FINISH</td><td>±</td><td>-</td></tr> </table>		0 PLC	±	-		1 PLC	±	-	2 PLC	±	0.30[.012]	3 PLC	±	-	4 PLC	±	-	ANGLES	±	-	FINISH	±	-	PRODUCT SPEC	NAME
0 PLC	±	-																							
1 PLC	±	-																							
2 PLC	±	0.30[.012]																							
3 PLC	±	-																							
4 PLC	±	-																							
ANGLES	±	-																							
FINISH	±	-																							
MATERIAL	-	APPLICATION SPEC	-	SIZE	A2																				
-		WEIGHT	-	CAGE CODE	-																				
-		CUSTOMER DRAWING	-	DRAWING NO	C=1437565-5																				
-		SCALE	4:1	SHEET	1 of 1																				
-		REV	E2	RESTRICTED TO	-																				