



## 5.0mm Round Type LED Lamps

PART NO: FYL-5013HD

REV NO: 1.0

PAGE: 1/2

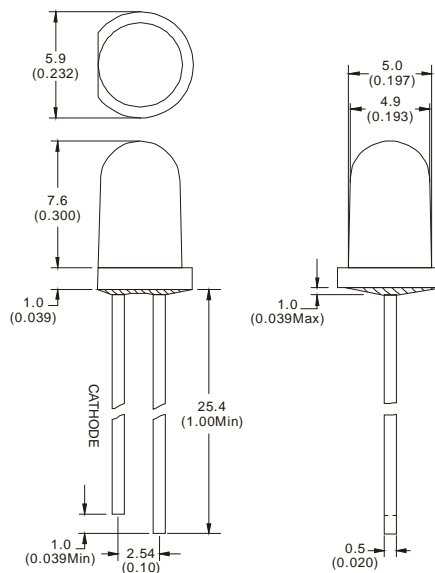
### ■ Features:

- Standard brightness.
- Choice of various viewing angles.
- Diffused, Transparent and Water clear lens are available.
- Popular T-1 3/4 diameter package.
- IC compatible /Low current capability.

### ■ Descriptions:

- The LED lamps are available with different colors, intensities, epoxy colors etc.

### ■ Package Dimensions:



### NOTES:

1. All dimension are in millimeters(inch).
2. An epoxy meniscus may extend about 1.5mm down to the lead.
3. Tolerances unless dimension  $\pm 0.25$ mm.

CHECKED: YING.L.M

APPROVED: CHEN.J.J

DATE:2003/03/10



## 5.0mm Round Type LED Lamps

**PART NO:** FYL-5013HD

**REV NO:** 1.0

**PAGE:** 2/2

### ■ Absolute Maximum Ratings at Ta=25°C

Parameter	Symbol	Rating	Unit
Forward Current	I <sub>F</sub>	15	mA
Power Dissipation	P <sub>d</sub>	40	mW
Reverse Voltage	V <sub>R</sub>	5	V
Peak Forward Current (Duty 1/10 @1KHZ)	I <sub>PF</sub>	50	mA
Operation Temperature	T <sub>OPR</sub>	-40 to +80	°C
Storage Temperature	T <sub>STG</sub>	-40 to +85	°C
Lead Soldering Temperature	T <sub>SOL</sub>	Max.260± 5°C for 3 sec Max. (1.6mm from the base of the epoxy bulb)	°C

### ■ Electronic Optical Characteristics at Ta=25°C

Items	Symbol	Min.	Typ.	Max.	Unit	Condition
Forward Voltage	V <sub>F</sub>	-	2.25	2.50	V	I <sub>F</sub> =20mA
Reverse Current	I <sub>R</sub>	-	-	20	uA	V <sub>R</sub> =5V
Peak Wavelength	λ <sub>P</sub>	-	700	-	nm	I <sub>F</sub> =20mA
Spectrum Line Half width	Δλ	-	90	-	nm	I <sub>F</sub> =20mA
Luminous Intensity	I <sub>V</sub>	-	5	-	mcd	I <sub>F</sub> =20mA
Viewing Angle	2θ 1/2	-	60	-	degree	I <sub>F</sub> =20mA

### ■ Specifications for Bin grading

(unit: mcd I<sub>F</sub>=20mA)

Bin Code	Min.	Max.	Bin Code	Min.	Max.

### ■ Specifications for Voltage

(unit: V I<sub>F</sub>=20mA)

Rank					
Voltage					

### ■ Specifications for Dominant Wavelength

(unit: nm I<sub>F</sub>=20mA)

Rank					
Dominant Wavelength					