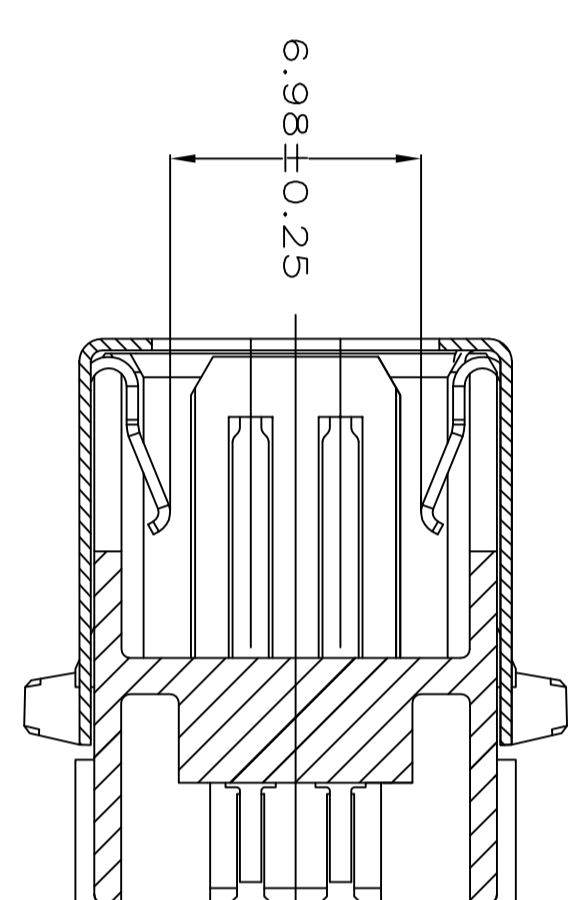
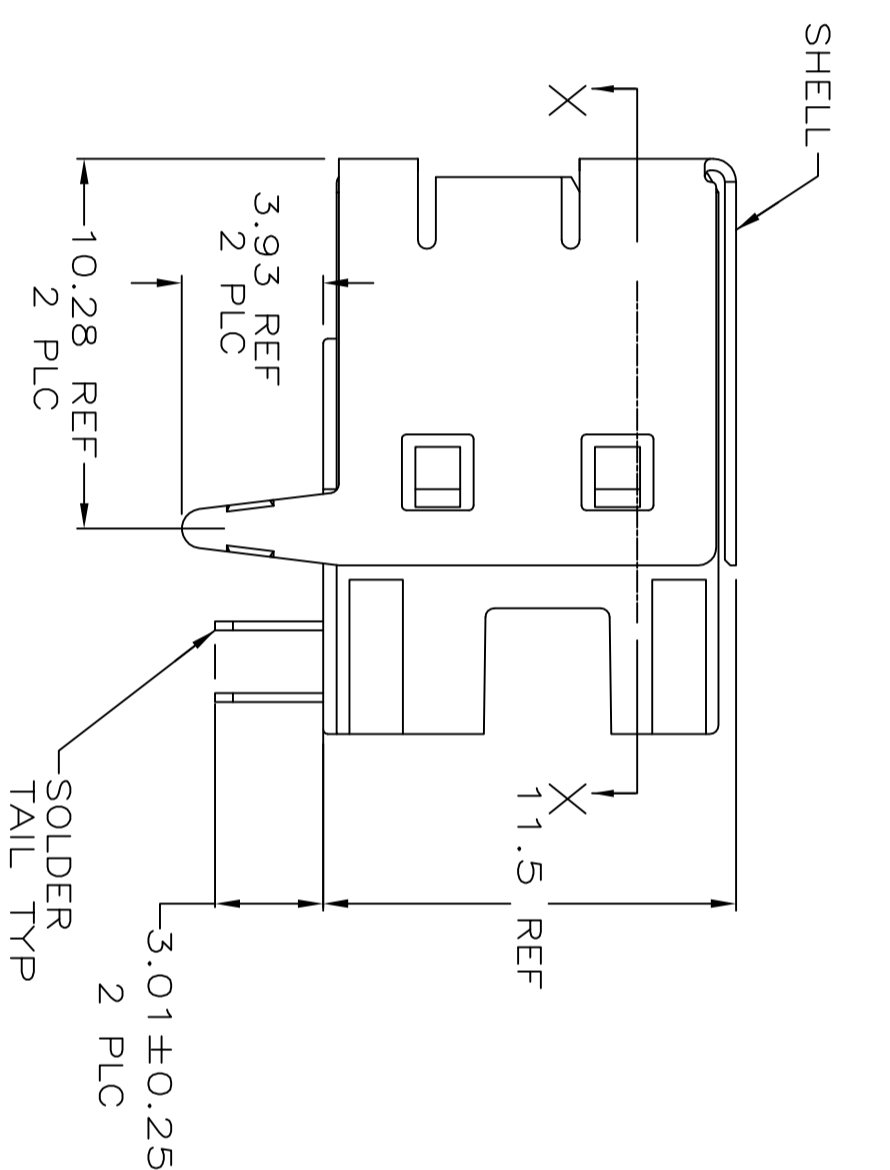
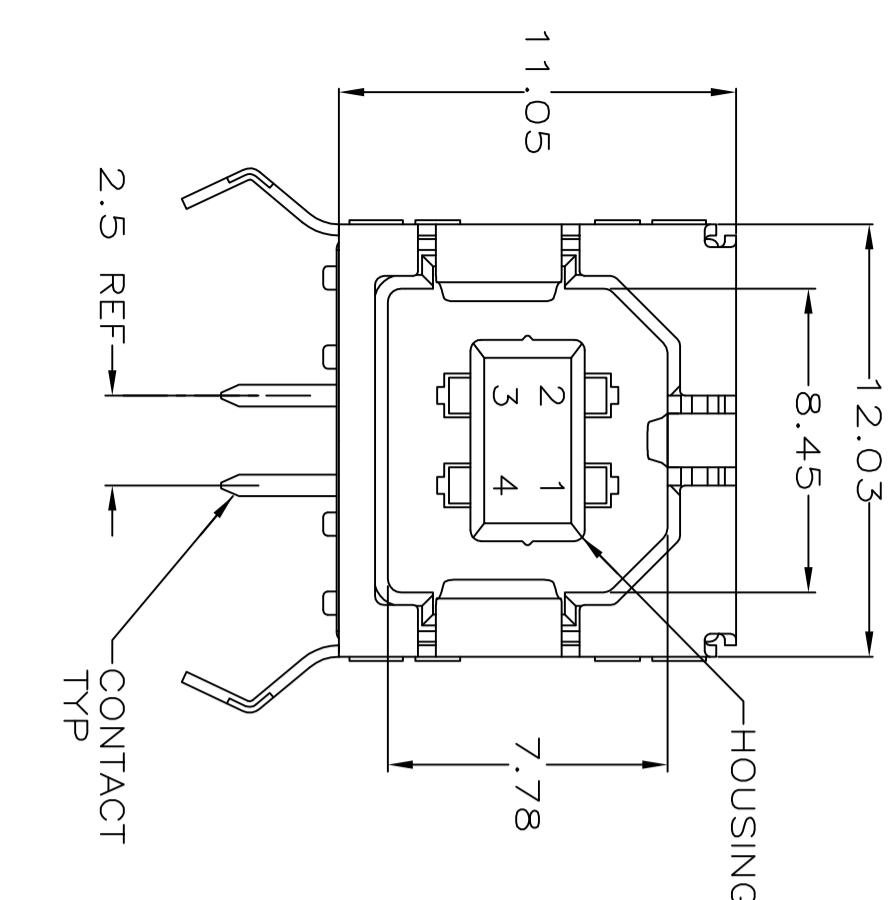


PC BOARD MOUNTING DIMENSIONS



- 1 MATERIAL: SHELL & CONTACTS: COPPER ALLOY. HOUSING: UL 94V-0 RATED, THERMOPLASTIC, BLACK.
- 2 PLATING: CONTACTS: 0.076µm MINIMUM GOLD OVER 0.76µm MINIMUM PALLADIUM-NICKEL ON MATING AREA. 3.8µm MINIMUM MATTE TIN ON SOLDER TAILS. BOTH OVER 1.27µm MINIMUM NICKEL. CONTACT ALTERNATE PLATING: 0.76µm MIN GOLD ON MATING AREA, 3.8µm MIN MATTE TIN ON SOLDER TAILS, BOTH OVER 1.27µm MIN NICKEL.
- 3 SHELL: 2.0~5.0µm MINIMUM TIN.
- 4 DATUM AND BASIC DIMENSIONS ESTABLISHED BY CUSTOMER.
- 5 RECOMMENDED PC BOARD THICKNESS OF 1.57.
- 6 PLATING: CONTACTS: 0.76µm MINIMUM GOLD ON MATING AREA, 3.8µm MINIMUM MATTE TIN ON SOLDER TAILS, BOTH OVER 1.27µm MINIMUM NICKEL. SHELL: 2.0~5.0µm MINIMUM TIN.
- 7 RECOMMEND: MATING FORCE: 35N MAX. UNMATING FORCE: 13N MIN. RECOMMENDED MATING PLUG SHOULD MEET USB2.0 STANDARD.

6	NO	BLACK	292304-5
5	NO	BLACK	292304-4
2	YES	BLACK	292304-3
2	YES	NATURAL	292304-2
2	NO	BLACK	292304-1
PLATING		HIGH TEMPERATURE COMPATIBLE	PART NUMBER

DIMENSIONS:		TOLERANCES UNLESS OTHERWISE SPECIFIED:	
mm		mm	
0 PLC	±0.1	0 PLC	±0.1
1 PLC	±0.1	1 PLC	±0.1
2 PLC	±0.1	2 PLC	±0.1
3 PLC	±0.1	3 PLC	±0.1
4 PLC	±0.1	4 PLC	±0.1
MATERIAL		FINISH	
1		2	

APPROVED	DATE	DESIGNER	DATE
J.JIANG	23FEB04	S.YAO	23FEB04
CUSTOMER DRAWING		DRAWING NO	
		292304	