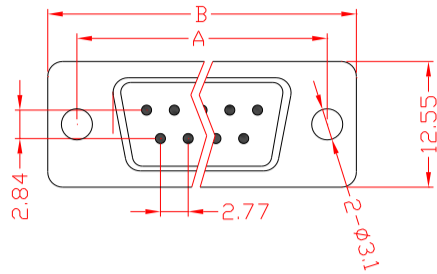


序号/RevNo.	名称/Title	文件编号/File No.
1	103中盖	QJ/XYT-11051 ~ 11054
2	103反折盖	QJ/XYT-11055 ~ 11058
3	103后塞	QJ/XYT-11059 ~ 11062
4	103M塑件主体	QJ/XYT-11063 ~ 11066
5	103M端子	QJ/XYT-11048
6	铁壳	QJ/XYT-11089 ~ 11092



Specifications:

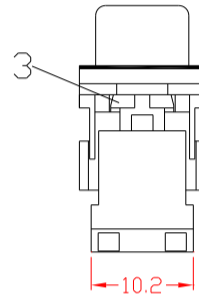
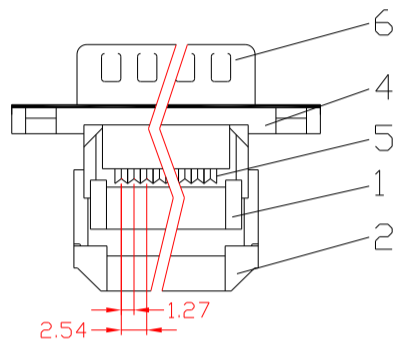
Contact Resistance: 30mΩ max.at DC 100 mA
 Insulator Resistance: 1000MΩ min.at DC 500V
 Current Rating: 5AMP

Dielectric Withstanding

Voltage: AC 500V For 1 minute
 Operating Temperature: -55°C--+105°C

Contact: Brass

Housing: PBT &30% Glass Fiber(UL 94V-0)

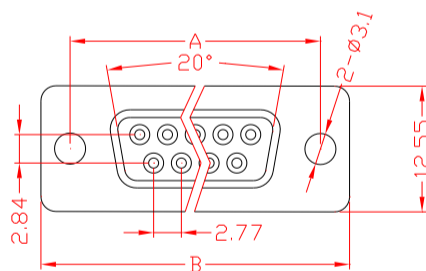


Position	A	B
9	24.99	30.81
15	33.32	39.20
25	47.04	53.10
37	63.50	69.50

设计/Designed by	绘图/Drawing by	审核/Checked by	批准/Approved by	未注公差 General Tolerance	
				x. ±0.2	x.' ±2'
				.x ±0.1	.x' ±1'
				.xx ±0.05	.xx' ±0.5'
				.xxx ±0.01	
103-A M产品图				单位/Units: mm	
备注/Remark					

序号/RevNo.	更改记录/Revision note	签名/Signature	日期/Date

序号/RevNo.	名称/Title	文件编号/File No.
1	103中盖	QJ/XYT-11051 ~ 11054
2	103反折盖	QJ/XYT-11055 ~ 11058
3	103后塞	QJ/XYT-11059 ~ 11062
4	103F塑件主体	QJ/XYT-11067 ~ 11070
5	103F端子	QJ/XYT-11049
6	铁壳	QJ/XYT-11085 ~ 11088



Specifications:

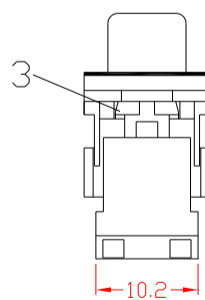
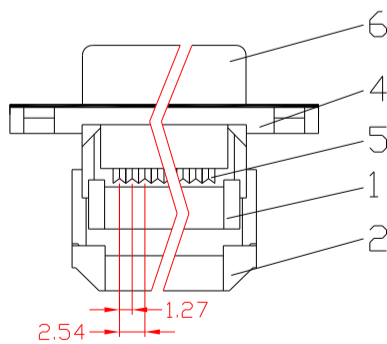
Contact Resistance: 30mΩ max.at DC 100 mA
 Insulator Resistance: 1000MΩ min.at DC 500V
 Current Rating: 5AMP

Dielectric Withstanding

Voltage: AC 500V For 1 minute
 Operating Temperature: -55°C--+105°C

Contact: Phosphor Bronze

Housing: PBT &30% Glass Fiber(UL 94V-0)



Position	A	B
9	24.99	30.81
15	33.32	39.20
25	47.04	53.10
37	63.50	69.50

设计/Designed by	绘图/Drawing by	审核/Checked by	批准/Approved by	未注公差 General Tolerance	
				x. ±0.2	x.' ±2'
				.x ±0.1	.x' ±1'
				.xx ±0.05	.xx' ±0.5'
				.xxx ±0.01	
103-A F产品图				单位/Units: mm	
备注/Remark					

序号/RevNo.	更改记录/Revision note	签名/Signature	日期/Date