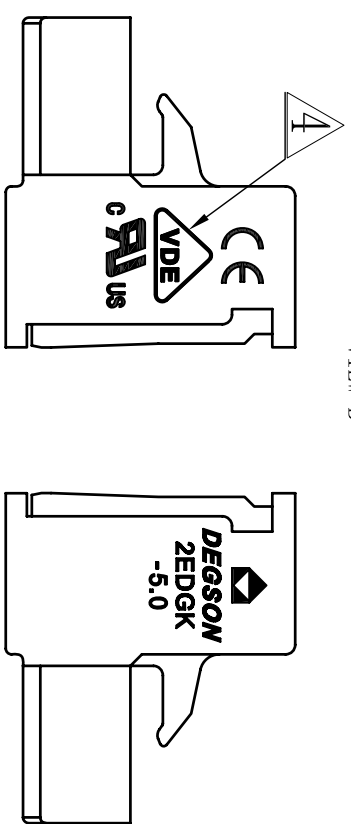
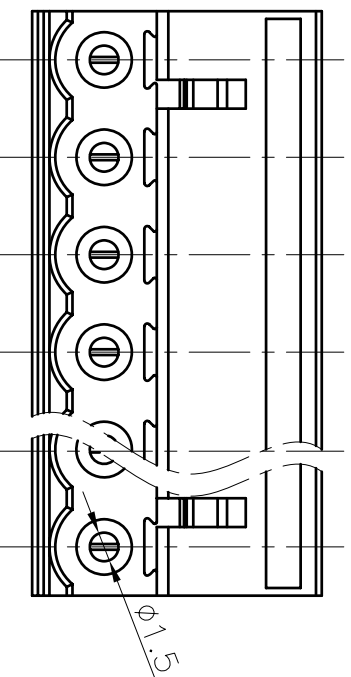
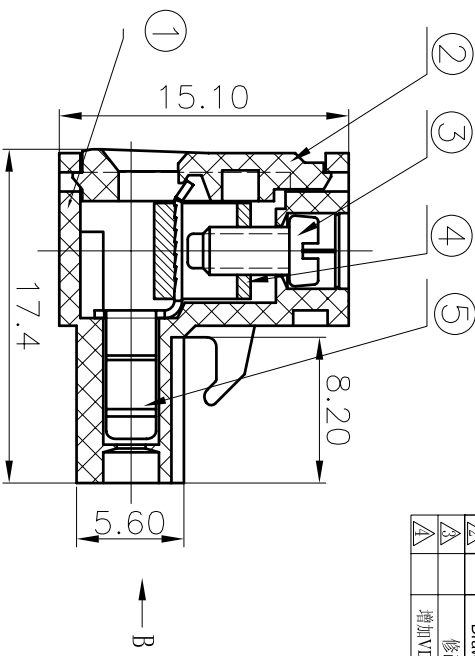
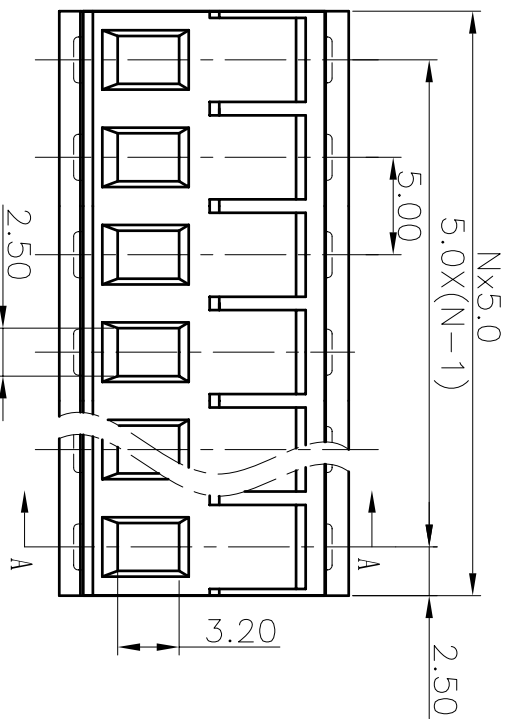


REVISION RECORD			
REV	ECO	DESCRIPTION	DRFT DATE
△		Drawing amend	WF 01/05/06*
△		修改UJ刻字	CSX 06/18/07*
△		增加VDE、CE认证标志	LJH 01/14/08*



5	2EDGK-5.0 Screws-M2.5	S000001370 (H)	XX	Steel	Cr <sup>3+</sup> Zn
4	D6128-Brass cage	X000000020 (H)	XX	Brass	Ni plated
3	2EDGK-Clamp	1005B00010 (H)	XX	Phosphor bronze	Ni plated
2	2EDGK-5.0-Cover	1016C0YXXA (H)	1	PA66	UL94V-0

Pitch range in mm	Nominal dimension range in mm					
	over	over	over	over	over	over
6	10	30	60	100	150	—
to	to	to	to	to	to	—
10	24	30	60	100	150	□
±0.10	±0.15	±0.25	±0.2	±0.3	±0.5	±0.7 ± 1.0 (0.05/10)

- Notes:
- Pitch: 5.0mm Poles:2-24p
  - Rated voltage/current:UL 300V/15A VDE 320V/20A
  - Insulation resistance: 5000MΩ/1000V
  - Withstanding voltage: AC1500V/1min
  - Wire range: 28-12AWG 2.5mm<sup>2</sup>
  - Temp. Range: -40° C~+105° C
  - Torque: 4.08kgf.cm
  - Undimensioned Tolerances:

ITEM	NAME OF PART	NO. OF PART	Q'TY	MATERIAL	NOTES
1	2EDGK-5.0-Housing	1016A0YXXA (H)	1	PA66	UL94V-0

DETACHED LISTS			
MM	(INCH)	DATE	DATE
0.05 ±	±	04/18/05	
0.10 ±	±		
0.20 ±	±		
0.30 ±	±		
0.50 ±	±		
1.00 ±	±		

DATE	DATE	DATE	DATE
04/18/05			

NAME	SCALE	DO NOT SCALE DRAWING	SHEET	OF
DEGSON 2EDGK-5.0-XXP-1Y-00A(H)	1:1		1	1