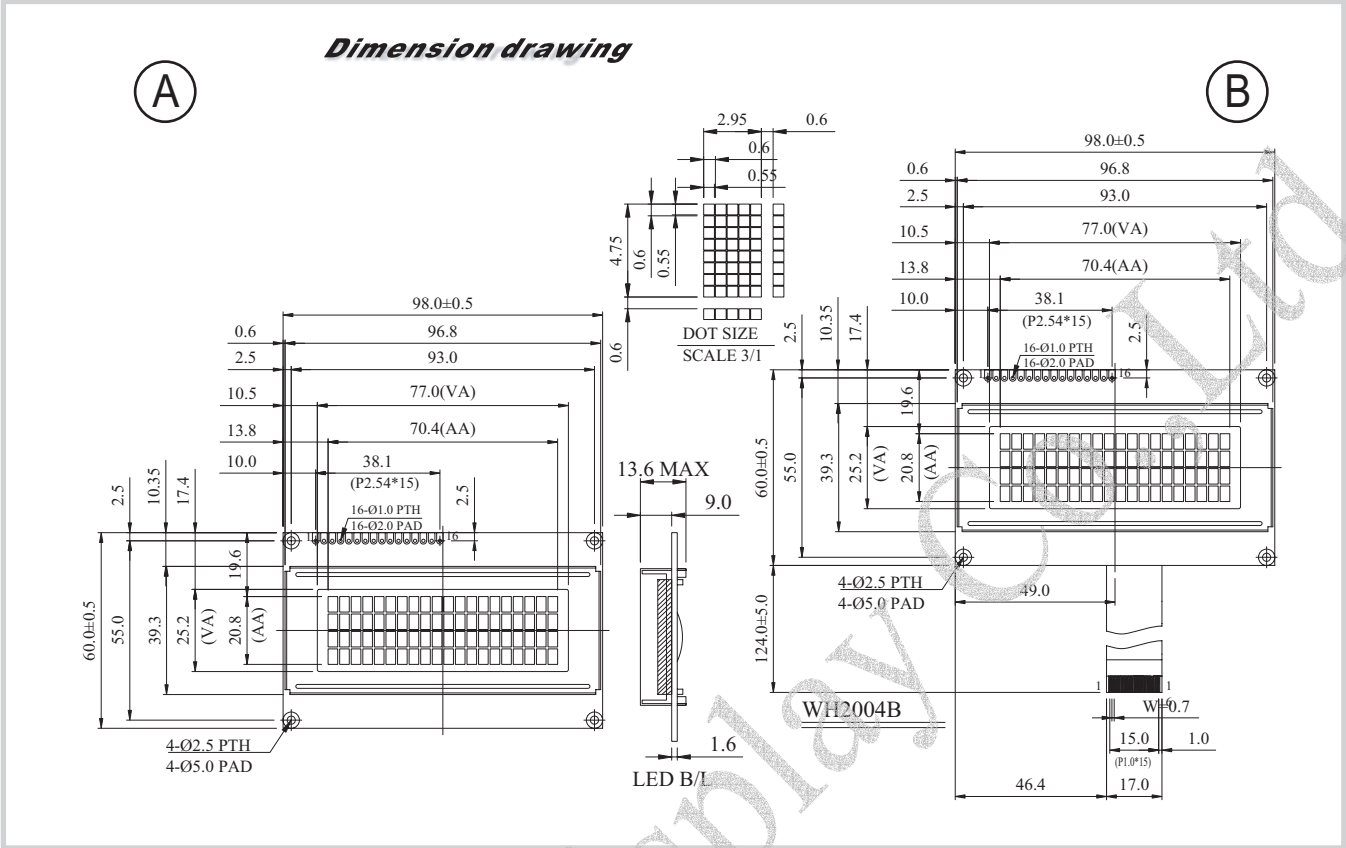


WH2004A/B Character20x4

Dimension drawing



Character type

Feature

1. 5x8 dots includes cursor
2. Built-in controller (KS 0066 or Equivalent)
3. +5V power supply (Also available for +3V)
4. 1/16 duty cycle
5. LED can be driven by pin1,pin2,pin15,pin16 or A and K
6. N.V. optional for +3V power supply
7. FFC and FFC connector is for WH2004B only

Mechanical Data

Item	Standard Value	Unit
Module Dimension	98.0x60.0x13.6	mm
Viewing Area	77.0x25.2	mm
Mounting hole	93.0x55.0	mm
Character Size	2.95x4.75	mm

Pin NO.	Symbol	Function
1	Vss	Ground
2	Vdd	Supply voltage for logic
3	Vc	Contrast Adjustment
4	RS	H: Data L: Instruction
5	R/W	H: read data L: write data
6	E	Enable signal
7	DB0	Data bus line
8	DB1	Data bus line
9	DB2	Data bus line
10	DB3	Data bus line
11	DB4	Data bus line
12	DB5	Data bus line
13	DB6	Data bus line
14	DB7	Data bus line
15	A	+4.2V for LED
16	K	Power supply for B/L(-)

Absolute Maximum Rating

Item	Symbol	Standard Value			Unit
		min.	typ.	max.	
Power Supply	VDD-VSS	-0.3	---	7.0	V
Input Voltage	VI	-0.3	---	VDD	V

Note : VSS=0 Volt, VDD=5.0 Volt.

Electronical Characteristics

Item	Symbol	Conditio	Standard Value			Unit	
			min.	typ.	max.		
Input Voltage	VDD	VDD=+5V	2.7	---	5.3	V	
Supply Current	IDD	VDD=5V	---	1.0	1.2	mA	
Recommended LC Driving Voltage for Normal Temp. Version module	VDD-VO	-20°C	5.0	5.1	5.7	V	
		25°C	4.1	4.5	4.7		
		70°C	3.7	3.9	4.3		
LED Forward Voltage	VF	25°C	---	4.2	4.6	V	
LED Forward Current	IF	25°C	Array	---	280	560	mA
			Edge	---	---	---	mA
EL Power Supply Current	IEF	Val=110VAC;400Hz	---	---	5.0	mA	

Display Character Address Code :

Display position	1	2	3	4	5	6	7	8	9	10	11	12	13	---	20
DD RAM Address	00	01	02												13
DD RAM Address	40	41	42												53
DD RAM Address	14	15	16												27
DD RAM Address	54	55	56												67