

January 1998

**NOT RECOMMENDED FOR NEW DESIGNS**  
 See ICL7136 or  
 contact our Technical Support Center at  
 1-888-INTERSIL or [www.intersil.com/tsc](http://www.intersil.com/tsc)

## 3<sup>1</sup>/<sub>2</sub> Digit, Low Power, Single-Chip A/D Converter

### Features

- 8,000 Hours Typical 9V Battery Life
- Guaranteed Zero Reading for 0V Input on All Scales
- True Polarity at Zero for Precise Null Detection
- 1pA Typical Input Current
- True Differential Input and Reference
- Direct LCD Display Drive - No External Components Required
- Pin Compatible With the ICL7106
- Low Noise - Less Than 15μV<sub>p-p</sub>
- On-Chip Clock and Reference
- Low Power Dissipation Guaranteed Less Than 1mW
- No Additional Active Circuits Required

### Ordering Information

PART NUMBER	TEMP. RANGE (°C)	PACKAGE	PKG. NO.
ICL7126CPL	0 to 70	40 Ld PDIP	E40.6
ICL7126RCPL	0 to 70	40 Ld PDIP (Note)	E40.6

NOTE: "R" indicates device with reversed leads.

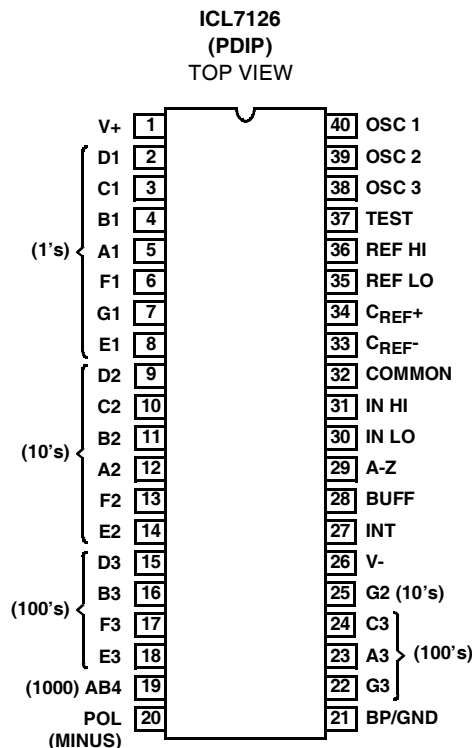
### Description

The ICL7126 is a high performance, very low power 3<sup>1</sup>/<sub>2</sub>-digit, A/D converter. All the necessary active devices are contained on a single CMOS IC, including seven segment decoders, display drivers, reference, and clock. The ICL7126 is designed to interface with a liquid crystal display (LCD) and includes a backplane drive. The supply current of 100μA is ideally suited for 9V battery operation.

The ICL7126 brings together an unprecedented combination of high accuracy, versatility, and true economy. It features auto-zero to less than 10μV, zero drift of less than 1μV/°C, input bias current of 10pA maximum, and rollover error of less than one count. The versatility of true differential input and reference is useful in all systems, but gives the designer an uncommon advantage when measuring load cells, strain gauges and other bridge-type transducers. And finally the true economy of single power operation allows a high performance panel meter or multi-meter to be built with the addition of only 10 passive components and a display.

The ICL7126 can be used as a plug-in replacement for the ICL7106 in a wide variety of applications, changing only the passive components.

### Pinout



# ICL7126

## Absolute Maximum Ratings

Supply Voltage  $V_+$  to  $V_-$  . . . . . 15V  
 Analog Input Voltage (Either Input) (Note 1) . . . . .  $V_+$  to  $V_-$   
 Reference Input Voltage (Either Input) . . . . .  $V_+$  to  $V_-$   
 Clock Input . . . . . TEST to  $V_+$

## Thermal Information

Thermal Resistance (Typical, Note 2)  $\theta_{JA}$  ( $^{\circ}C/W$ )  
 PDIP Package . . . . . 50  
 Maximum Junction Temperature. . . . . 150 $^{\circ}C$   
 Maximum Storage Temperature Range . . . . . -65 $^{\circ}C$  to 150 $^{\circ}C$   
 Maximum Lead Temperature (Soldering 10s). . . . . 300 $^{\circ}C$

## Operating Conditions

Temperature Range . . . . . 0 $^{\circ}C$  to 70 $^{\circ}C$

*CAUTION: Stresses above those listed in "Absolute Maximum Ratings" may cause permanent damage to the device. This is a stress only rating and operation of the device at these or any other conditions above those indicated in the operational sections of this specification is not implied.*

### NOTES:

1. Input voltages may exceed the supply voltages provided the input current is limited to  $\pm 100\mu A$ .
2.  $\theta_{JA}$  is measured with the component mounted on an evaluation PC board in free air.

## Electrical Specifications $T_A = 25^{\circ}C$ , $V_{REF} = 100mV$ , $f_{CLOCK} = 48kHz$ (Notes 1, 3)

PARAMETER	TEST CONDITIONS	MIN	TYP	MAX	UNITS
<b>SYSTEM PERFORMANCE</b>					
Zero Input Reading	$V_{IN} = 0.0V$ , Full Scale = 200mV	-000.0	$\pm 000.0$	+000.0	Digital Reading
Ratiometric Reading	$V_{IN} = V_{REF}$ , $V_{REF} = 100mV$	999	999/1000	1000	Digital Reading
Rollover Error	$-V_{IN} = +V_{IN} \cong 200mV$ Difference in Reading for Equal Positive and Negative Inputs Near Full Scale	-	$\pm 0.2$	$\pm 1$	Counts
Linearity	Full Scale = 200mV or Full Scale = 2V Maximum Deviation from Best Straight Line Fit (Note 5)	-	$\pm 0.2$	$\pm 1$	Counts
Common Mode Rejection Ratio	$V_{CM} = \pm 1V$ , $V_{IN} = 0V$ , Full Scale = 200mV (Note 5)	-	50	-	$\mu V/V$
Noise	$V_{IN} = 0V$ , Full Scale = 200mV (Peak-To-Peak Value Not Exceeded 95% of Time) (Note 5)	-	15	-	$\mu V$
Leakage Current Input	$V_{IN} = 0V$ (Note 5)	-	1	10	pA
Zero Reading Drift	$V_{IN} = 0V$ , 0 $^{\circ}C$ To 70 $^{\circ}C$ (Note 5)	-	0.2	1	$\mu V/^{\circ}C$
Scale Factor Temperature Coefficient	$V_{IN} = 199mV$ , 0 $^{\circ}C$ To 70 $^{\circ}C$ , (Ext. Ref. 0ppm/ $x^{\circ}C$ ) (Note 5)	-	1	5	ppm/ $^{\circ}C$
$V_+$ Supply Current	$V_{IN} = 0V$ (Does Not Include COMMON Current)	-	70	100	$\mu A$
COMMON Pin Analog Common Voltage	25k $\Omega$ Between Common and Positive Supply (With Respect to + Supply)	2.4	3.0	3.2	V
Temperature Coefficient of Analog Common	25k $\Omega$ Between Common and Positive Supply (With Respect to + Supply) (Note 5)	-	80	-	ppm/ $^{\circ}C$
Peak-To-Peak Segment Drive Voltage Peak-To-Peak Backplane Drive Voltage	$V_+$ = to $V_-$ = 9V (Note 4)	4	5.5	6	V
Power Dissipation Capacitance	vs Clock Frequency	-	40	-	pF

### NOTES:

3. Unless otherwise noted, specifications are tested using the circuit of Figure 1.
4. Back plane drive is in phase with segment drive for 'off' segment, 180 degrees out of phase for 'on' segment. Frequency is 20 times conversion rate. Average DC component is less than 50mV.
5. Not tested, guaranteed by design.

# ICL7126

## Typical Application Schematics

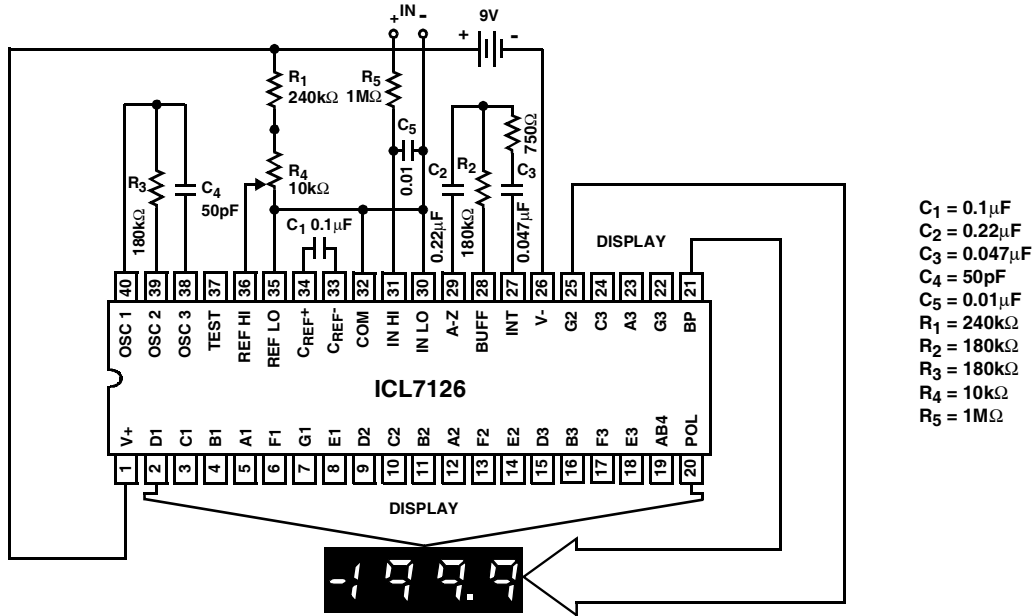


FIGURE 1. ICL7126 TEST CIRCUIT AND TYPICAL APPLICATION WITH LCD DISPLAY COMPONENTS SELECTED FOR 200mV FULL SCALE

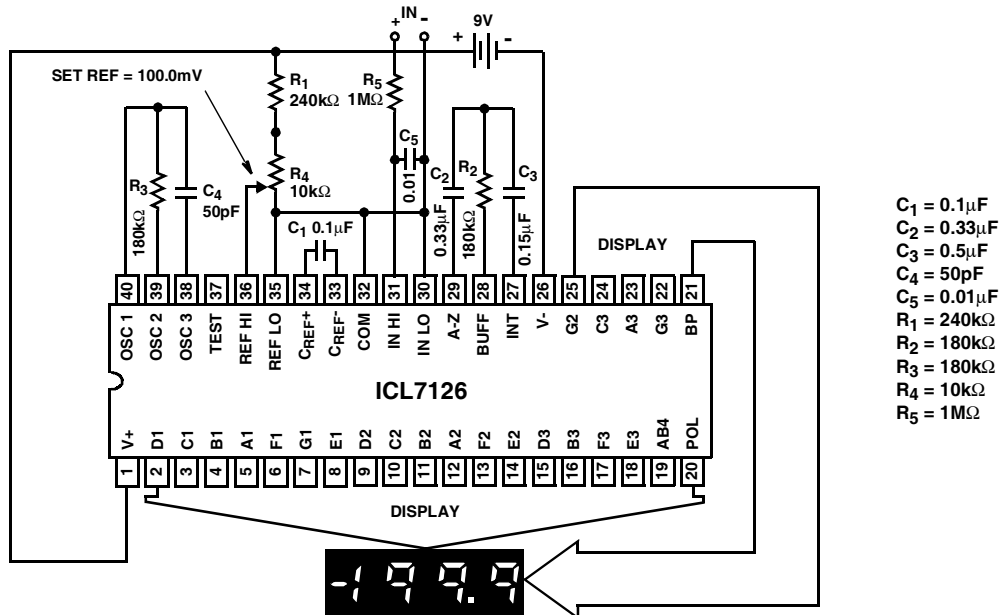


FIGURE 2. ICL7126 CLOCK FREQUENCY 16kHz, 1 READING/S

# ICL7126

## Typical Application Schematics (Continued)

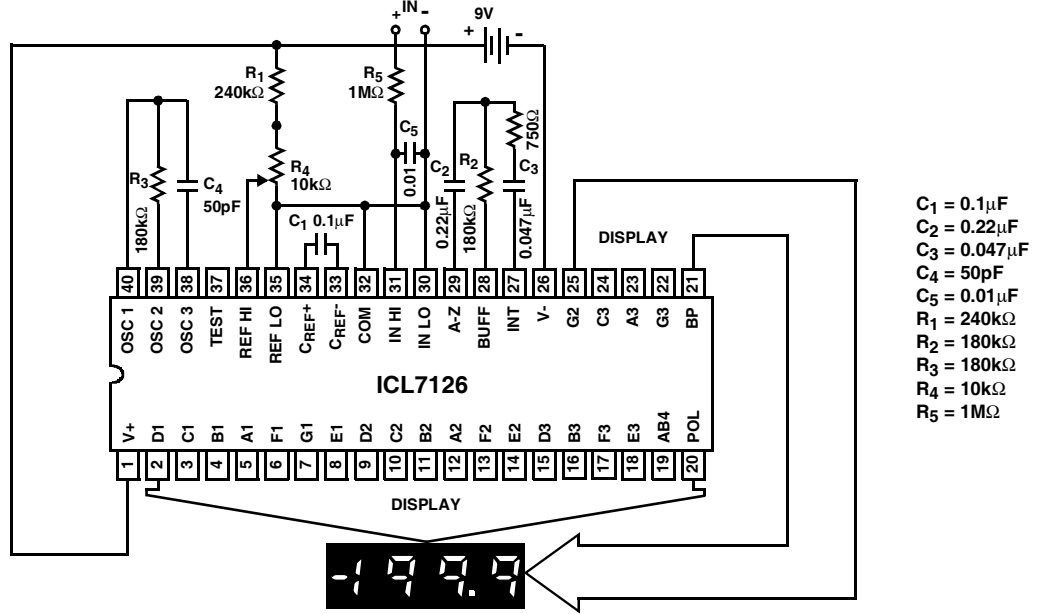


FIGURE 3. CLOCK FREQUENCY 48kHz, 3 READINGS/S

**Design Information Summary Sheet**

• **OSCILLATOR FREQUENCY**

$$f_{OSC} = 0.45/RC$$

$$C_{OSC} > 50pF; R_{OSC} > 50k\Omega$$

$$f_{OSC} (Typ) = 48kHz$$

• **OSCILLATOR PERIOD**

$$t_{OSC} = RC/0.45$$

• **INTEGRATION CLOCK FREQUENCY**

$$f_{CLOCK} = f_{OSC}/4$$

• **INTEGRATION PERIOD**

$$t_{INT} = 1000 \times (4/f_{OSC})$$

• **60/50Hz REJECTION CRITERION**

$$t_{INT}/t_{60Hz} \text{ or } t_{INT}/t_{50Hz} = \text{Integer}$$

• **OPTIMUM INTEGRATION CURRENT**

$$I_{INT} = 4\mu A$$

• **FULL-SCALE ANALOG INPUT VOLTAGE**

$$V_{INFS} (Typ) = 200mV \text{ or } 2V$$

• **INTEGRATE RESISTOR**

$$R_{INT} = \frac{V_{INFS}}{I_{INT}}$$

• **INTEGRATE CAPACITOR**

$$C_{INT} = \frac{(t_{INT})(I_{INT})}{V_{INT}}$$

• **INTEGRATOR OUTPUT VOLTAGE SWING**

$$V_{INT} = \frac{(t_{INT})(I_{INT})}{C_{INT}}$$

• **V<sub>INT</sub> MAXIMUM SWING:**

$$(V- + 0.5V) < V_{INT} < (V+ - 0.5V), V_{INT} (Typ) = 2V$$

• **DISPLAY COUNT**

$$COUNT = 1000 \times \frac{V_{IN}}{V_{REF}}$$

• **CONVERSION CYCLE**

$$t_{CYC} = t_{CLOCK} \times 4000$$

$$t_{CYC} = t_{OSC} \times 16,000$$

when  $f_{OSC} = 48kHz; t_{CYC} = 333ms$

• **COMMON MODE INPUT VOLTAGE**

$$(V- + 1V) < V_{IN} < (V+ - 0.5V)$$

• **AUTO-ZERO CAPACITOR**

$$0.01\mu F < C_{AZ} < 1\mu F$$

• **REFERENCE CAPACITOR**

$$0.1\mu F < C_{REF} < 1\mu F$$

• **V<sub>COM</sub>**

Biased between V+ and V-.

• **V<sub>COM</sub> ≅ V+ - 2.8V**

Regulation lost when V+ to V- < ≅6.8V.  
If V<sub>COM</sub> is externally pulled down to (V+ to V-)/2, the V<sub>COM</sub> circuit will turn off.

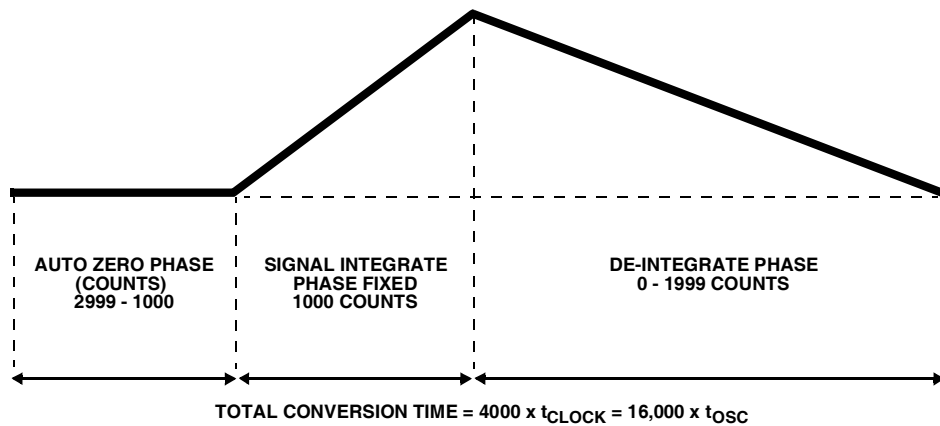
• **ICL7126 POWER SUPPLY: SINGLE 9V**

V+ - V- = 9V  
Digital supply is generated internally  
V<sub>TEST</sub> ≅ V+ - 4.5V

• **ICL7126 DISPLAY: LCD**

Type: Direct drive with digital logic supply amplitude.

## Typical Integrator Amplifier Output Waveform (INT Pin)



### Detailed Description

#### Analog Section

Figure 4 shows the Functional Diagram of the Analog Section for the ICL7126. Each measurement cycle is divided into three phases. They are (1) auto-zero (A-Z), (2) signal integrate (INT) and (3) de-integrate (DE).

#### Auto-Zero Phase

During auto-zero three things happen. First, input high and low are disconnected from the pins and internally shorted to analog COMMON. Second, the reference capacitor is charged to the reference voltage. Third, a feedback loop is closed around the system to charge the auto-zero capacitor  $C_{AZ}$  to compensate for offset voltages in the buffer amplifier, integrator, and comparator. Since the comparator is included in the loop, the A-Z accuracy is limited only by the noise of the system. In any case, the offset referred to the input is less than  $10\mu\text{V}$ .

#### Signal Integrate Phase

During signal integrate, the auto-zero loop is opened, the internal short is removed, and the internal input high and low are connected to the external pins. The converter then integrates the differential voltage between IN HI and IN LO for a fixed time. This differential voltage can be within a wide common mode range: up to 1V from either supply. If, on the other hand, the input signal has no return with respect to the converter power supply, IN LO can be tied to analog COMMON to establish the correct common mode voltage. At the end of this phase, the polarity of the integrated signal is determined.

#### De-Integrate Phase

The final phase is de-integrate, or reference integrate. Input low is internally connected to analog COMMON and input high is connected across the previously charged reference capacitor. Circuitry within the chip ensures that the capacitor will be connected with the correct polarity to cause the integrator output to return to zero. The time required for the output to return to zero is proportional to the input signal.

Specifically the digital reading displayed is:

$$\text{Display Count} = 1000 \left( \frac{V_{IN}}{V_{REF}} \right).$$

#### Differential Input

The input can accept differential voltages anywhere within the common mode range of the input amplifier, or specifically from 0.5V below the positive supply to 1V above the negative supply. In this range, the system has a CMRR of 86dB typical. However, care must be exercised to assure the integrator output does not saturate. A worst case condition would be a large positive common mode voltage with a near full-scale negative differential input voltage. The negative input signal drives the integrator positive when most of its swing has been used up by the positive common mode voltage. For these critical applications the integrator output swing can be reduced to less than the recommended 2V full-scale swing with little loss of accuracy. The integrator output can swing to within 0.5V of either supply without loss of linearity.

ICL7126

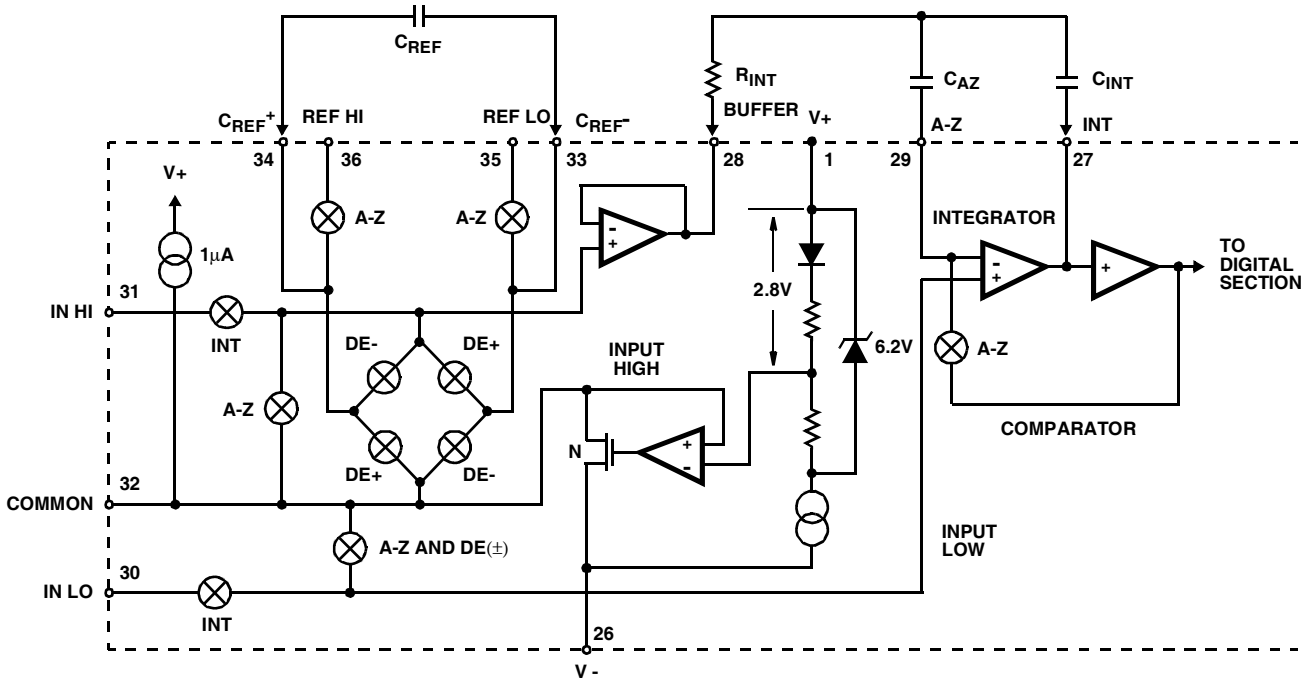


FIGURE 4. ANALOG SECTION OF ICL7126

**Differential Reference**

The reference voltage can be generated anywhere within the power supply voltage of the converter. The main source of common mode error is a roll-over voltage caused by the reference capacitor losing or gaining charge to stray capacity on its nodes. If there is a large common mode voltage, the reference capacitor can gain charge (increase voltage) when called up to de-integrate a positive signal but lose charge (decrease voltage) when called up to de-integrate a negative input signal. This difference in reference for positive or negative input voltage will give a roll-over error. However, by selecting the reference capacitor large enough in comparison to the stray capacitance, this error can be held to less than 0.5 count worst case. (See Component Value Selection.)

**Analog COMMON**

This pin is included primarily to set the common mode voltage for battery operation or for any system where the input signals are floating with respect to the power supply. The COMMON pin sets a voltage that is approximately 2.8V more negative than the positive supply. This is selected to give a minimum end-of-life battery voltage of about 6.8V. However, analog COMMON has some of the attributes of a reference voltage. When the total supply voltage is large enough to cause the zener to regulate (<6.8V), the COMMON voltage will have a low voltage coefficient (0.001%/V), low output impedance ( $\approx 15\Omega$ ), and a temperature coefficient typically less than 80ppm/ $^{\circ}\text{C}$ .

The limitations of the on-chip reference should also be recognized, however. The reference Temperature Coefficient (TC), can cause some degradation in performance. Temperature changes of  $2^{\circ}\text{C}$  to  $8^{\circ}\text{C}$ , typical for instruments, can give a scale factor error of a count or more. Also the common voltage will have a poor voltage coefficient when the total supply voltage is less than that which will cause the zener to regulate (<7V). These problems are eliminated if an external reference is used, as shown in Figure 5.

Analog COMMON is also used as the input low return during auto-zero and de-integrate. If IN LO is different from analog COMMON, a common mode voltage exists in the system and is taken care of by the excellent CMRR of the converter. However, in some applications IN LO will be set at a fixed known voltage (power supply common for instance). In this application, analog COMMON should be tied to the same point, thus removing the common mode voltage from the converter. The same holds true for the reference voltage. If reference can be conveniently tied to analog COMMON, it should be since this removes the common mode voltage from the reference system.

Within the IC, analog COMMON is tied to an N channel FET that can sink approximately 3mA of current to hold the voltage 2.8V below the positive supply (when a load is trying to pull the common line positive). However, there is only  $1\mu\text{A}$  of source current, so COMMON may easily be tied to a more negative voltage thus overriding the internal reference.

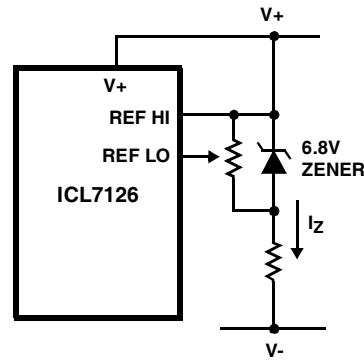


FIGURE 5A.

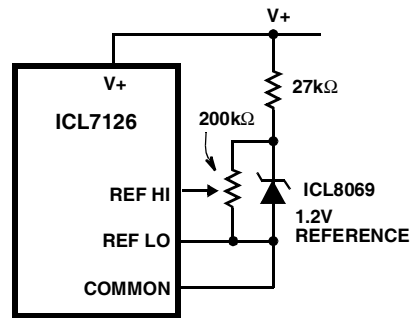


FIGURE 5B.

FIGURE 5. USING AN EXTERNAL REFERENCE

**TEST**

The TEST pin serves two functions. It is coupled to the internally generated digital supply through a  $500\Omega$  resistor. Thus it can be used as the negative supply for externally generated segment drivers such as decimal points or any other presentation the user may want to include on the LCD display. Figures 6 and 7 show such an application. No more than a 1mA load should be applied.

The second function is a "lamp test". When TEST is pulled high (to V+) all segments will be turned on and the display should read "-1888". The TEST pin will sink about 10mA under these conditions.

CAUTION: In the lamp test mode, the segments have a constant DC voltage (no square-wave) and may burn the LCD display if left in this mode for several minutes.

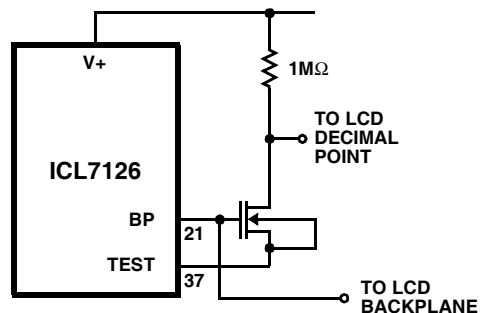


FIGURE 6. SIMPLE INVERTER FOR FIXED DECIMAL POINT



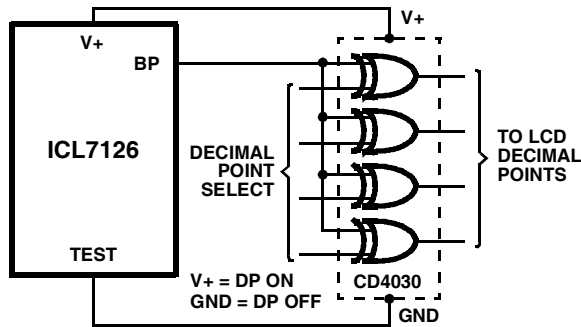


FIGURE 7. EXCLUSIVE 'OR' GATE FOR DECIMAL POINT DRIVE

### Digital Section

Figure 8 shows the digital section for the ICL7126. An internal digital ground is generated from a 6V Zener diode and a large P-Channel source follower. This supply is made stiff to absorb the relative large capacitive currents when the back plane (BP) voltage is switched. The BP frequency is the clock frequency divided by 800. For three readings/second this is a 60Hz square wave with a nominal amplitude of 5V. The segments are driven at the same frequency and amplitude and are in phase with BP when OFF, but out of phase when ON. In all cases negligible DC voltage exists across the segments. The polarity indication is "ON" for negative analog inputs. If IN LO and IN HI are reversed, this indication can be reversed also, if desired.

### System Timing

Figure 9 shows the clocking arrangement used in the ICL7126. Two basic clocking arrangements can be used:

1. Figure 9A, an external oscillator connected to pin 40.
2. Figure 9B, an R-C oscillator using all three pins.

The oscillator frequency is divided by four before it clocks the decade counters. It is then further divided to form the three convert-cycle phases. These are signal integrate (1000 counts), reference de-integrate (0 to 2000 counts) and auto-zero (1000 to 3000 counts). For signals less than full-scale, auto-zero gets the unused portion of reference de-integrate. This makes a complete measure cycle of 4,000 counts (16,000 clock pulses) independent of input voltage. For three readings/second, an oscillator frequency of 48kHz would be used.

To achieve maximum rejection of 60Hz pickup, the signal integrate cycle should be a multiple of 60Hz. Oscillator frequencies of 60kHz, 48kHz, 40kHz,  $33\frac{1}{3}$ kHz, etc. should be selected. For 50Hz rejection, oscillator frequencies of  $66\frac{2}{3}$ kHz, 50kHz, 40kHz, etc. would be suitable. Note that 40kHz (2.5 readings/sec.) will reject both 50Hz and 60Hz (also 400Hz and 440Hz).

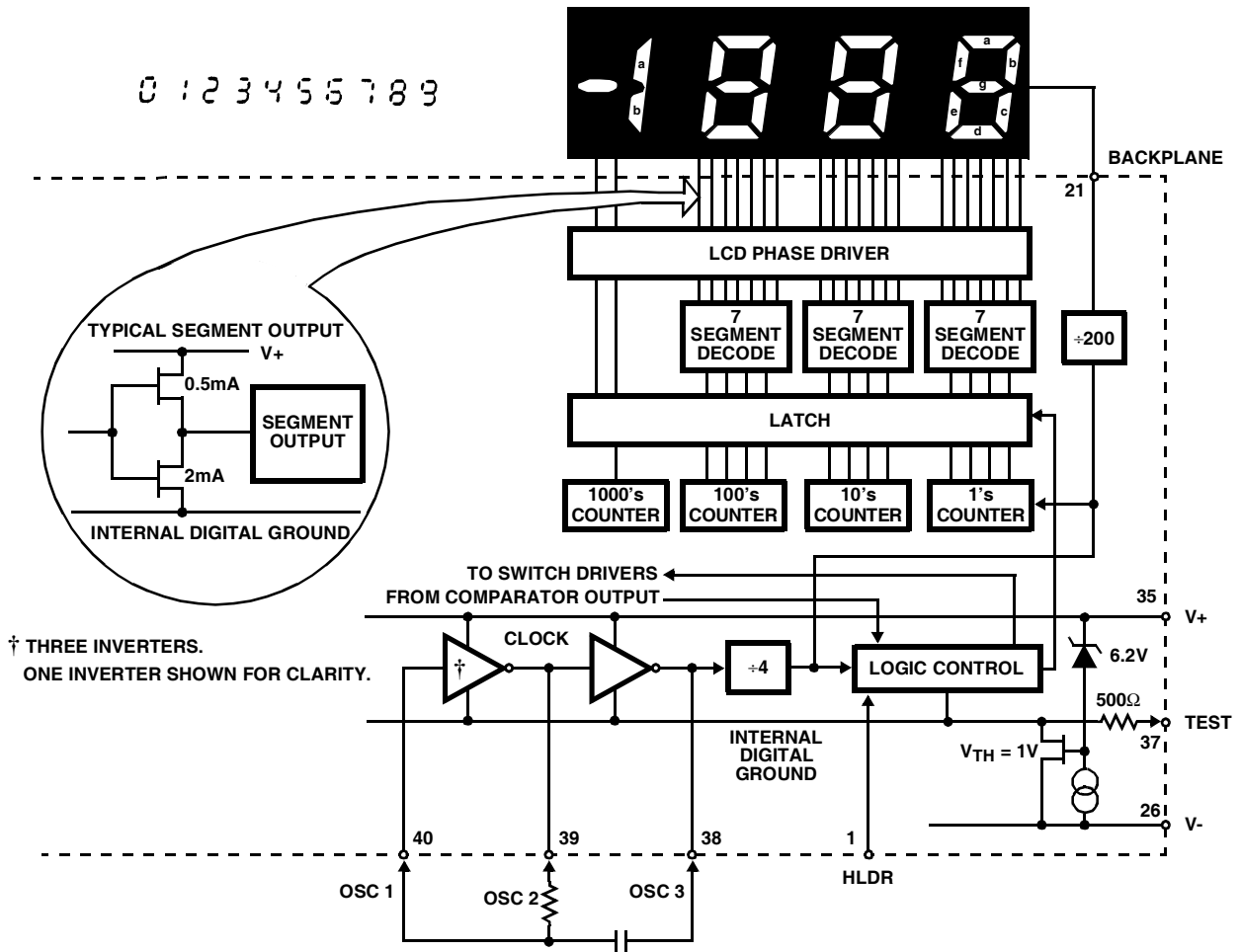


FIGURE 8. DIGITAL SECTION

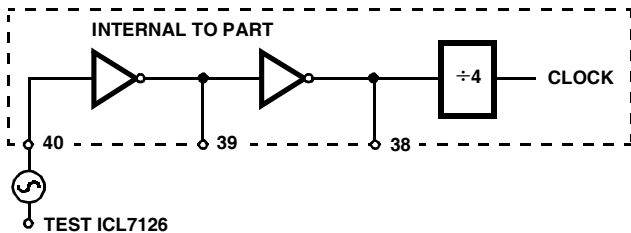


FIGURE 9A. EXTERNAL SIGNAL

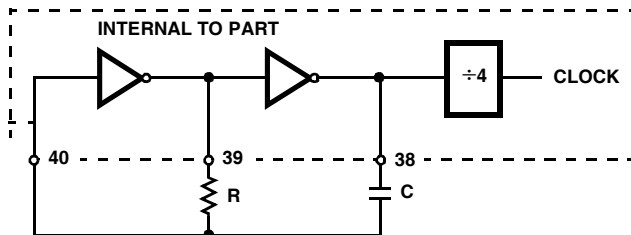


FIGURE 9B. RC OSCILLATOR  
FIGURE 9. CLOCK CIRCUITS

### Component Value Selection

#### Integrating Resistor

Both the buffer amplifier and the integrator have a class A output stage with  $6\mu\text{A}$  of quiescent current. They can supply  $\sim 1\mu\text{A}$  of drive current with negligible nonlinearity. The integrating resistor should be large enough to remain in this very linear region over the input voltage range, but small enough that undue leakage requirements are not placed on the PC board. For 2V full-scale,  $1.8\text{M}\Omega$  is near optimum and similarly a  $180\text{k}\Omega$  for a 200mV scale.

#### Integrating Capacitor

The integrating capacitor should be selected to give the maximum voltage swing that ensures tolerance build-up will not saturate the integrator swing (approximately, 0.3V from either supply). When the analog COMMON is used as a reference, a nominal  $\pm 2\text{V}$  full-scale integrator swing is fine. For three readings/second (48kHz clock) nominal values for  $C_{\text{INT}}$  are  $0.047\mu\text{F}$ , for 1/s (16kHz)  $0.15\mu\text{F}$ . Of course, if different oscillator frequencies are used, these values should be changed in inverse proportion to maintain the same output swing.

The integrating capacitor should have a low dielectric absorption to prevent roll-over errors. While other types may be adequate for this application, polypropylene capacitors give undetectable errors at reasonable cost.

At three readings/sec, a  $750\Omega$  resistor should be placed in series

with the integrating capacitor, to compensate for comparator delay.

**Auto-Zero Capacitor**

The size of the auto-zero capacitor has some influence on the noise of the system. For 200mV full-scale where noise is very important, a 0.32µF capacitor is recommended. On the 2V scale, a 0.33µF capacitor increases the speed of recovery from overload and is adequate for noise on this scale.

**Reference Capacitor**

A 0.1µF capacitor gives good results in most applications. However, where a large common mode voltage exists (i.e., the REF LO pin is not at analog COMMON) and a 200mV scale is used, a larger value is required to prevent roll-over error. Generally 1µF will hold the roll-over error to 0.5 count in this instance.

**Oscillator Components**

For all ranges of frequency a 50kΩ capacitor is recommended and the resistor is selected from the approximation equation

$$f \sim \frac{0.45}{RC} \bullet \text{ For 48kHz clock (3 readings/sec), } R = 180k\Omega$$

**Reference Voltage**

The analog input required to generate full-scale output (2000 counts) is:  $V_{IN} = 2V_{REF}$ . Thus, for the 200mV and 2V scale,  $V_{REF}$  should equal 100mV and 1V, respectively. However, in many applications where the A/D is connected to a transducer, there will exist a scale factor other than unity between the input voltage and the digital reading. For instance, in a weighing system, the designer might like to have a full-scale reading when the voltage from the transducer is 0.682V. Instead of dividing the input down to 200mV, the designer should use the input voltage directly and select  $V_{REF} = 0.341V$ . Suitable values for integrating resistor 330kΩ. This makes the system slightly quieter and also avoids a divider network on the input. Another advantage of this system occurs when a digital reading of zero is desired for  $V_{IN} \neq 0$ . Temperature and weighing systems with a variable fare are examples. This offset reading can be conveniently generated by connecting the voltage transducer between IN HI and COMMON and the variable (or fixed) offset voltage between COMMON and IN LO.

**Typical Applications**

The ICL7126 may be used in a wide variety of configurations. The circuits which follow show some of the possibilities, and serve to illustrate the exceptional versatility of these A/D converters.

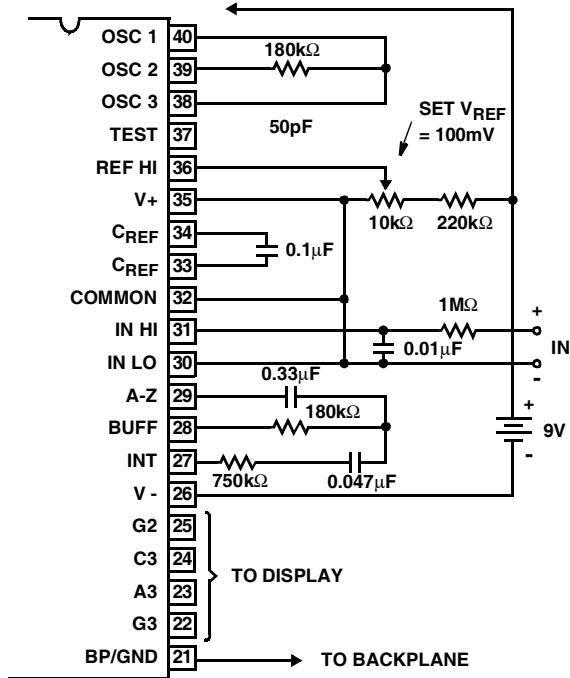
The following application notes contain very useful information on understanding and applying this part and are available from Harris Semiconductor.

**Application Notes**

NOTE #	DESCRIPTION
AN023	"Low Cost Digital Panel Meter Designs"
AN032	"Understanding the Auto-Zero and Common Mode Performance of the ICL7136/7/9 Family"
AN046	"Building a Battery-Operated Auto Ranging DVM with the ICL7106"
AN052	"Tips for Using Single-Chip 3 <sup>1</sup> / <sub>2</sub> Digit A/D Converters"

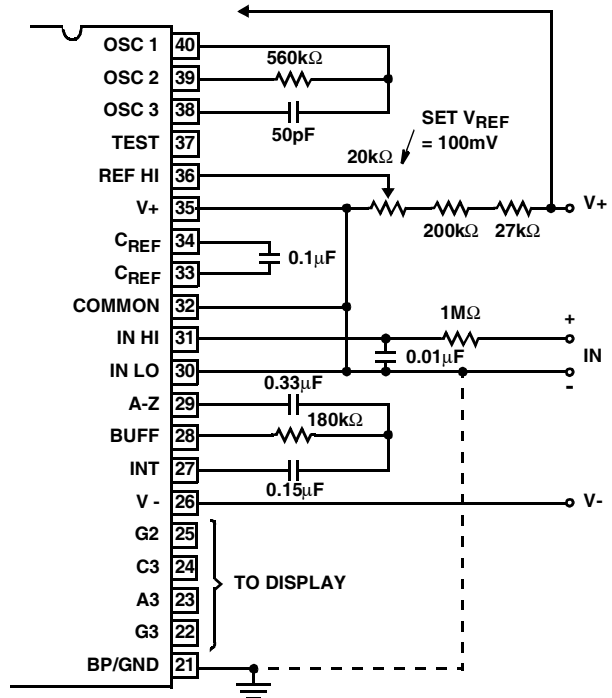
NOTE #	DESCRIPTION
AN016	"Selecting A/D Converters"
AN017	"The Integrating A/D Converter"
AN018	"Do's and Don'ts of Applying A/D Converters"

Typical Applications



Values shown are for 200mV full scale, 3 readings/sec., floating supply voltage (9V battery).

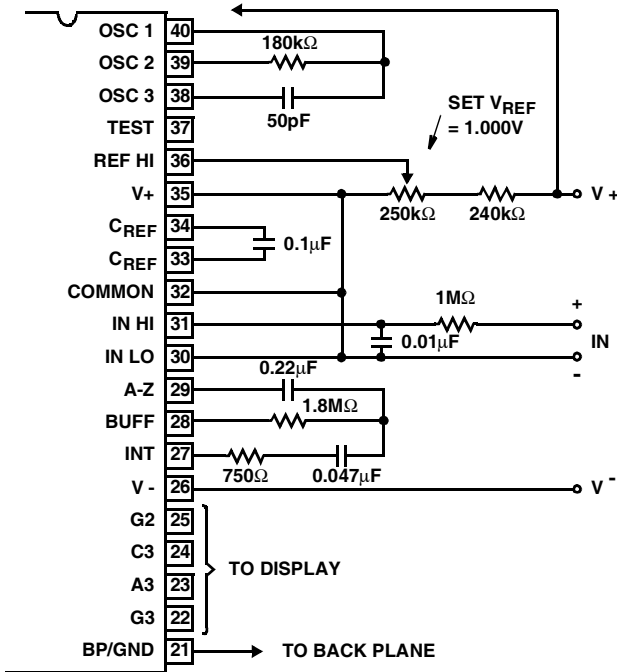
FIGURE 10. ICL7126 USING THE INTERNAL REFERENCE



IN LO is tied to COMMON, thus establishing the correct common mode voltage. COMMON acts as a pre-regulator for the reference. Values shown are for 1 reading/sec.

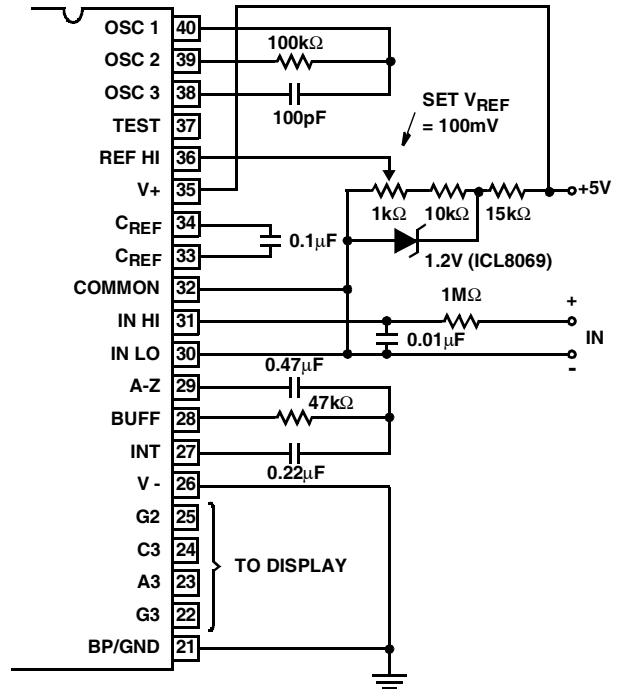
FIGURE 11. ICL7126 WITH AN EXTERNAL BAND-GAP REFERENCE (1.2V TYPE)

Typical Applications (Continued)



3 reading/s. For 1 reading/sec., delete 750Ω resistor, change  $C_{INT}$ ,  $R_{OSC}$  to values of Figure 11.

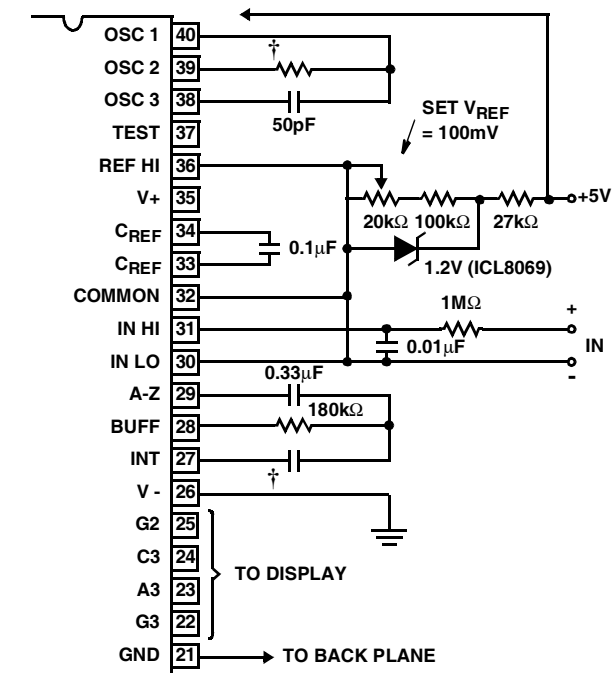
FIGURE 12. RECOMMENDED COMPONENT VALUES FOR 2.0V FULL SCALE



Since low TC zeners have breakdown voltages  $\sim 6.8V$ , diode must be placed across the total supply (10V). As in the case of Figure 12, IN LO may be tied to COMMON.

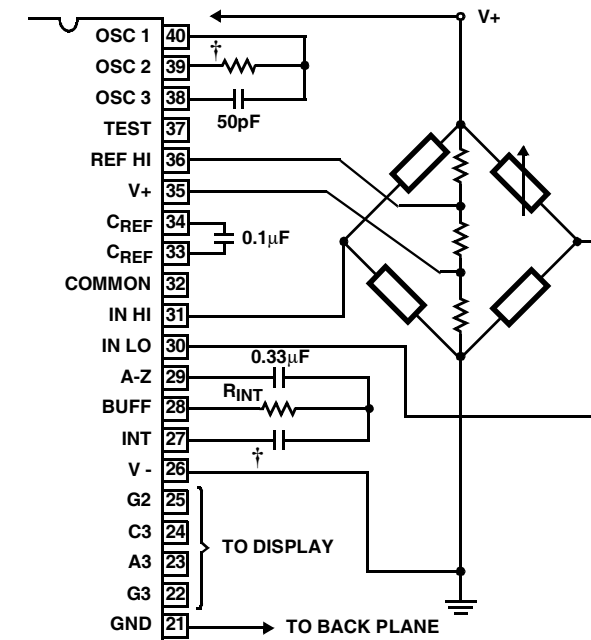
FIGURE 13. ICL7126 WITH ZENER DIODE REFERENCE

## Typical Applications (Continued)



An external reference must be used in this application, since the voltage between V+ and V- is insufficient for correct operation of the internal reference. † indicates values depend on clock frequency.

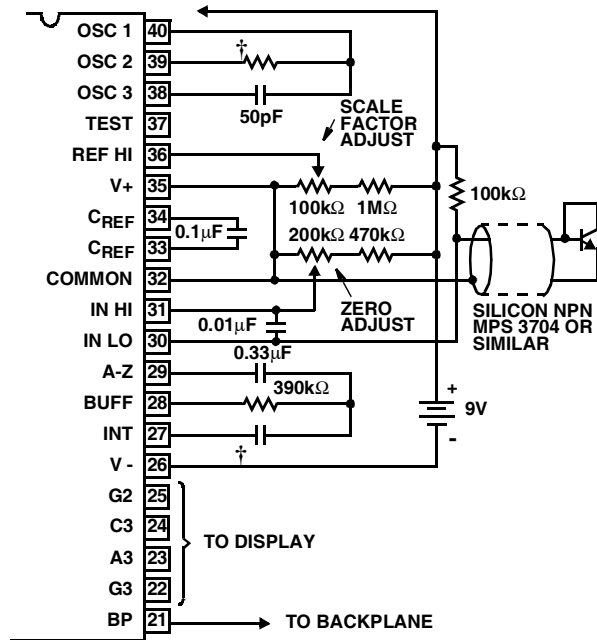
FIGURE 14. ICL7126 OPERATED FROM SINGLE +5V SUPPLY



The resistor values within the bridge are determined by the desired sensitivity. † indicates values depend on clock frequency.

FIGURE 15. ICL7126 MEASURING RATIOMETRIC VALUES OF QUAD LOAD CELL

**Typical Applications** (Continued)



A silicon diode-connected transistor has a temperature coefficient of about  $-2\text{mV}/^\circ\text{C}$ . Calibration is achieved by placing the sensing transistor in ice water and adjusting the zeroing potentiometer for a 000.0 reading. The sensor should then be placed in boiling water and the scale-factor potentiometer adjusted for a 100.0 reading.

**FIGURE 16. ICL7126 USED AS A DIGITAL CENTIGRADE THERMOMETER**

**Typical Applications** (Continued)

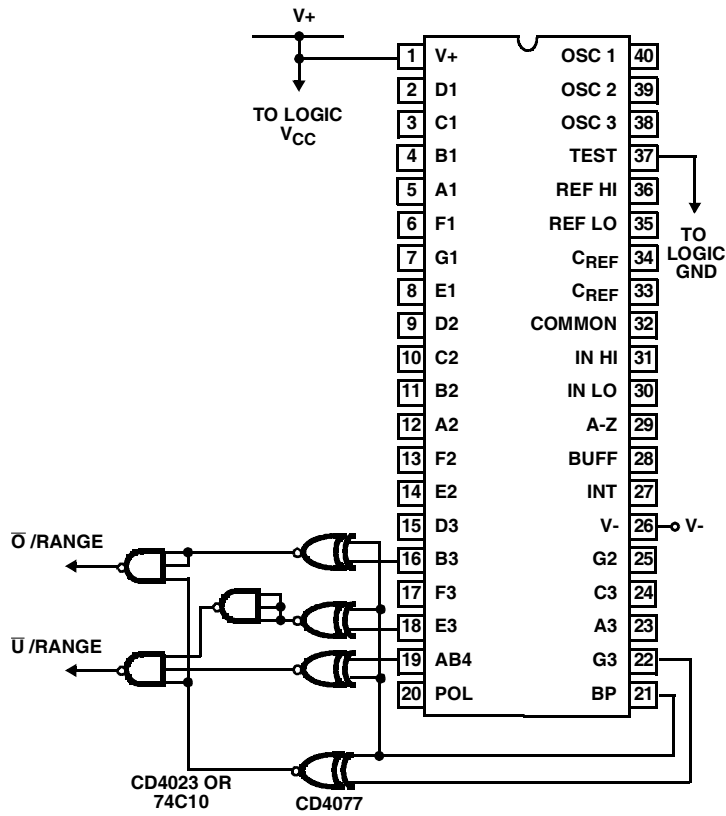
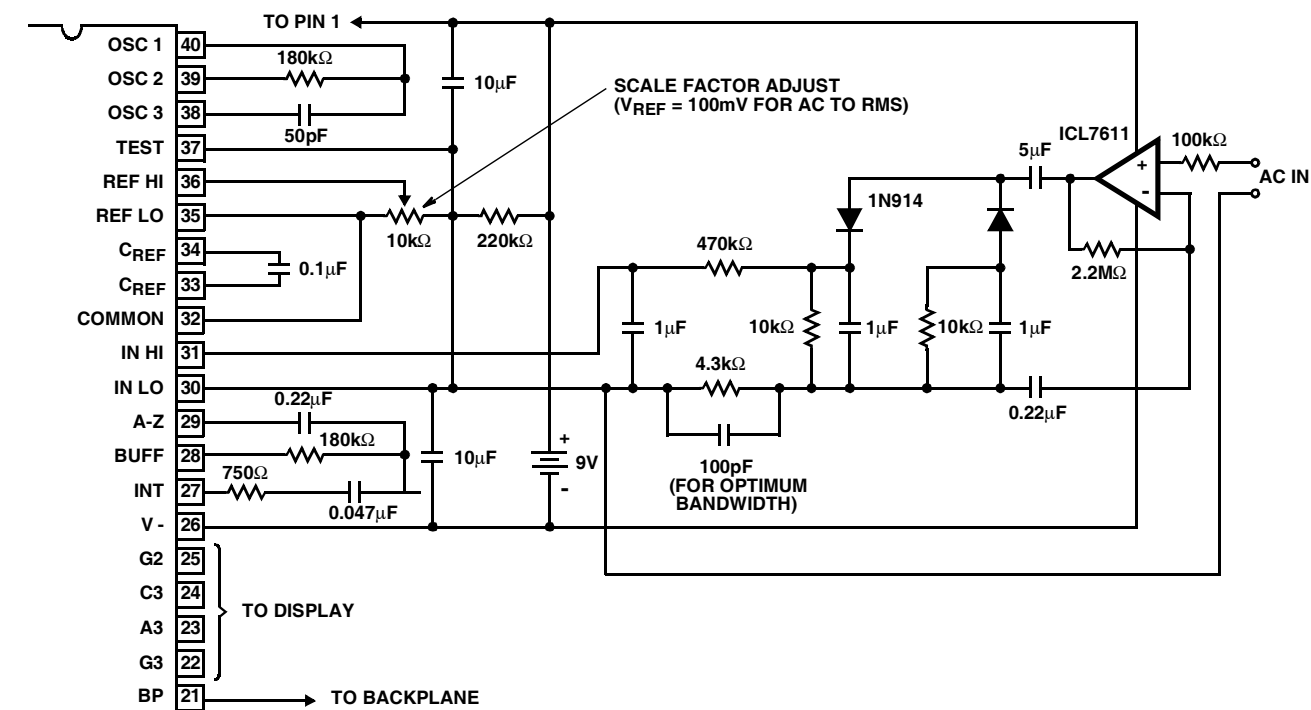


FIGURE 17. CIRCUIT FOR DEVELOPING UNDERRANGE AND OVERRANGE SIGNAL FROM ICL7126 OUTPUTS



**Typical Applications** (Continued)



Test is used as a common-mode reference level to ensure compatibility with most op amps.

**FIGURE 18. AC TO DC CONVERTER WITH ICL7126**

# Die Characteristics

## DIE DIMENSIONS:

127 mils x 149 mils

## METALLIZATION:

Type: Al

Thickness:  $10\text{k}\text{\AA} \pm 1\text{k}\text{\AA}$

## PASSIVATION:

Type: PSG Nitride

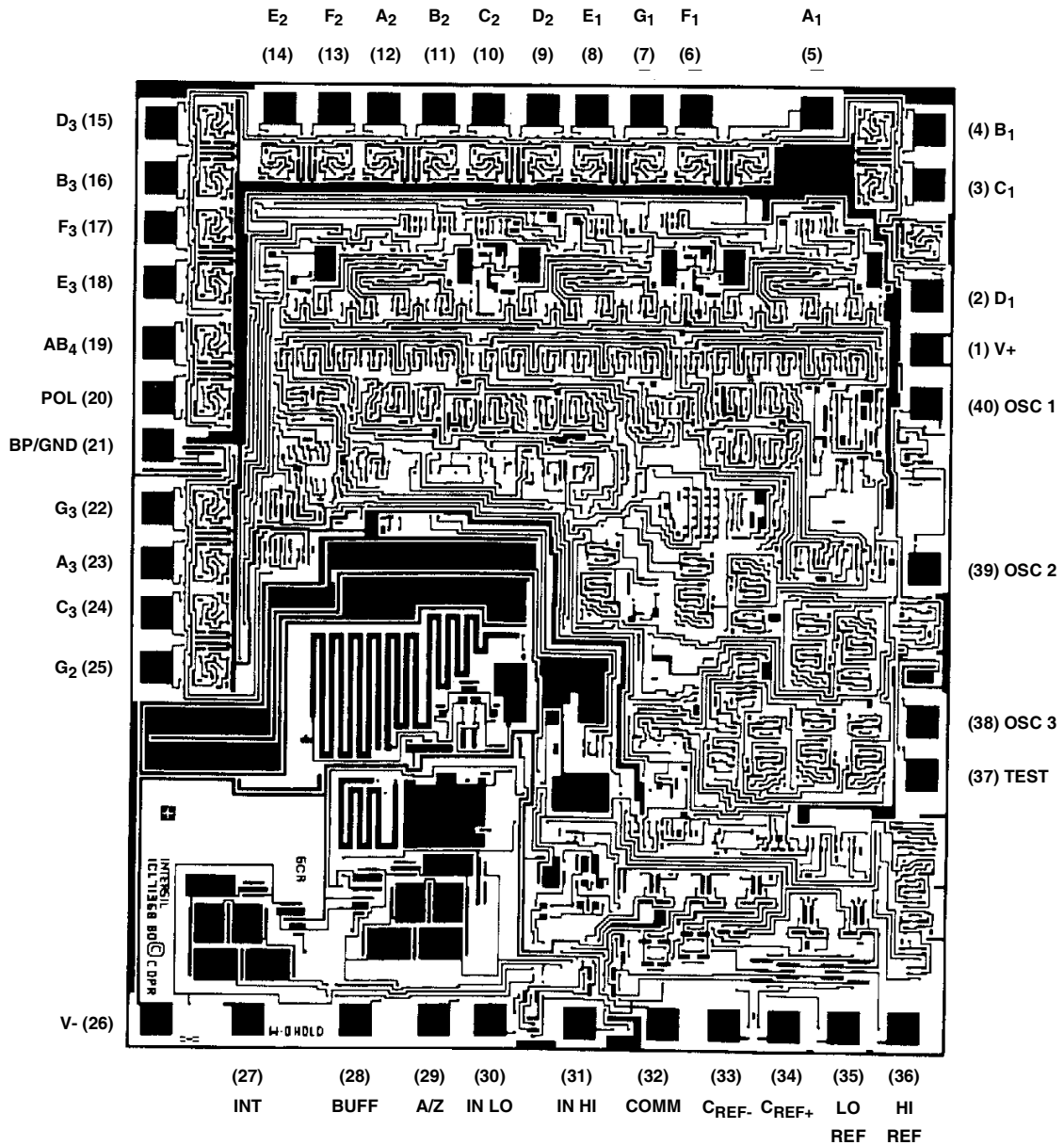
Thickness:  $15\text{k}\text{\AA} \pm 3\text{k}\text{\AA}$

## WORST CASE CURRENT DENSITY:

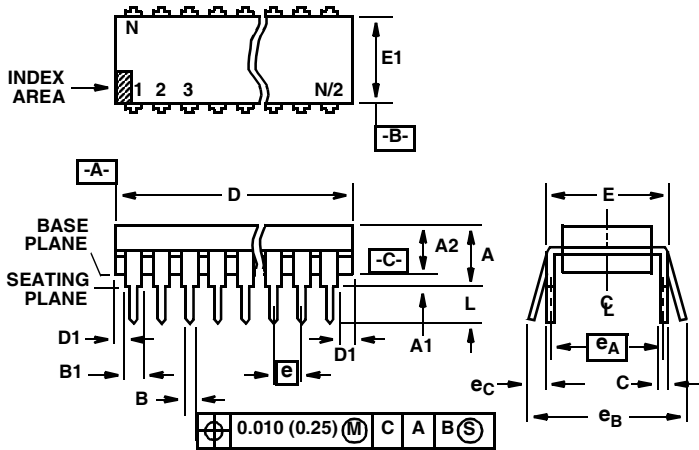
$9.1 \times 10^4 \text{ A/cm}^2$

# Metallization Mask Layout

ICL7126



Dual-In-Line Plastic Packages (PDIP)



NOTES:

1. Controlling Dimensions: INCH. In case of conflict between English and Metric dimensions, the inch dimensions control.
2. Dimensioning and tolerancing per ANSI Y14.5M-1982.
3. Symbols are defined in the "MO Series Symbol List" in Section 2.2 of Publication No. 95.
4. Dimensions A, A1 and L are measured with the package seated in JEDEC seating plane gauge GS-3.
5. D, D1, and E1 dimensions do not include mold flash or protrusions. Mold flash or protrusions shall not exceed 0.010 inch (0.25mm).
6. E and  $e_A$  are measured with the leads constrained to be perpendicular to datum  $-C-$ .
7.  $e_B$  and  $e_C$  are measured at the lead tips with the leads unconstrained.  $e_C$  must be zero or greater.
8. B1 maximum dimensions do not include dambar protrusions. Dambar protrusions shall not exceed 0.010 inch (0.25mm).
9. N is the maximum number of terminal positions.
10. Corner leads (1, N, N/2 and N/2 + 1) for E8.3, E16.3, E18.3, E28.3, E42.6 will have a B1 dimension of 0.030 - 0.045 inch (0.76 - 1.14mm).

E40.6 (JEDEC MS-011-AC ISSUE B)  
40 LEAD DUAL-IN-LINE PLASTIC PACKAGE

SYMBOL	INCHES		MILLIMETERS		NOTES
	MIN	MAX	MIN	MAX	
A	-	0.250	-	6.35	4
A1	0.015	-	0.39	-	4
A2	0.125	0.195	3.18	4.95	-
B	0.014	0.022	0.356	0.558	-
B1	0.030	0.070	0.77	1.77	8
C	0.008	0.015	0.204	0.381	-
D	1.980	2.095	50.3	53.2	5
D1	0.005	-	0.13	-	5
E	0.600	0.625	15.24	15.87	6
E1	0.485	0.580	12.32	14.73	5
e	0.100 BSC		2.54 BSC		-
$e_A$	0.600 BSC		15.24 BSC		6
$e_B$	-	0.700	-	17.78	7
L	0.115	0.200	2.93	5.08	4
N	40		40		9

Rev. 0 12/93