



Micro Commercial Components
 20736 Marilla Street Chatsworth
 CA 91311
 Phone: (818) 701-4933
 Fax: (818) 701-4939

MMS8050

NPN Silicon Plastic-Encapsulate Transistor

Features

- SOT-23 Plastic-Encapsulate Transistors
- Capable of 0.3Watts($T_{amb}=25^{\circ}C$) of Power Dissipation.
- Collector-current 0.5A
- Collector-base Voltage 40V
- Operating and storage junction temperature range: $-55^{\circ}C$ to $+150^{\circ}C$
- Marking Code: J3Y

Electrical Characteristics @ $25^{\circ}C$ Unless Otherwise Specified

Symbol	Parameter	Min	Max	Units
OFF CHARACTERISTICS				
$V_{(BR)CBO}$	Collector-Base Breakdown Voltage ($I_C=100\mu A$, $I_E=0$)	40	---	Vdc
$V_{(BR)CEO}$	Collector-Emitter Breakdown Voltage ($I_C=0.1mA$, $I_B=0$)	25	---	Vdc
$V_{(BR)EBO}$	Emitter-Base Breakdown Voltage ($I_E=100\mu A$, $I_C=0$)	5.0	---	Vdc
I_{CBO}	Collector Cutoff Current ($V_{CB}=40Vdc$, $I_E=0$)	---	0.1	μA
I_{EO}	Collector Cutoff Current ($V_{CE}=20Vdc$, $I_B=0$)	---	0.1	μA
I_{EBO}	Emitter Cutoff Current ($V_{EB}=5.0Vdc$, $I_C=0$)	---	0.1	μA

ON CHARACTERISTICS

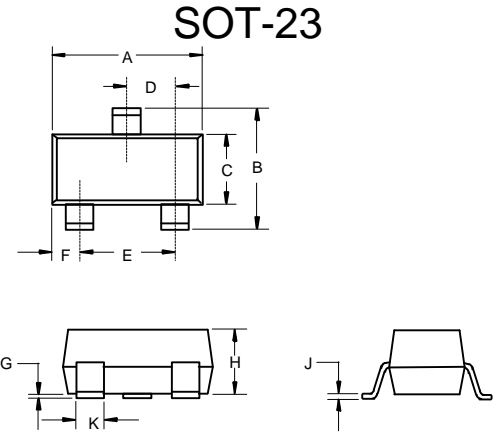
$h_{FE(1)}$	DC Current Gain ($I_C=50mA$, $V_{CE}=1.0Vdc$)	120	350	---
$h_{FE(2)}$	DC Current Gain ($I_C=500mA$, $V_{CE}=1.0Vdc$)	50	---	---
$V_{CE(sat)}$	Collector-Emitter Saturation Voltage ($I_C=500mA$, $I_B=50mA$)	---	0.6	Vdc
$V_{BE(sat)}$	Base-Emitter Saturation Voltage ($I_C=500mA$, $I_B=50mA$)	---	1.2	Vdc
V_{EB}	Base- Emitter Voltage ($I_E=100mA$)	---	1.4	Vdc

SMALL-SIGNAL CHARACTERISTICS

f_T	Transistor Frequency ($I_C=20mA$, $V_{CE}=6.0Vdc$, $f=30MHz$)	150	---	MHz
-------	--	-----	-----	-----

CLASSIFICATION OF $h_{FE(1)}$

Rank	L	H
Range	120-200	200-350



DIM	INCHES		MM		NOTE
	MIN	MAX	MIN	MAX	
A	.110	.120	2.80	3.04	
B	.083	.098	2.10	2.64	
C	.047	.055	1.20	1.40	
D	.035	.041	.89	1.03	
E	.070	.081	1.78	2.05	
F	.018	.024	.45	.60	
G	.0005	.0039	.013	.100	
H	.035	.044	.89	1.12	
J	.003	.007	.085	.180	
K	.015	.020	.37	.51	

Suggested Solder Pad Layout

