

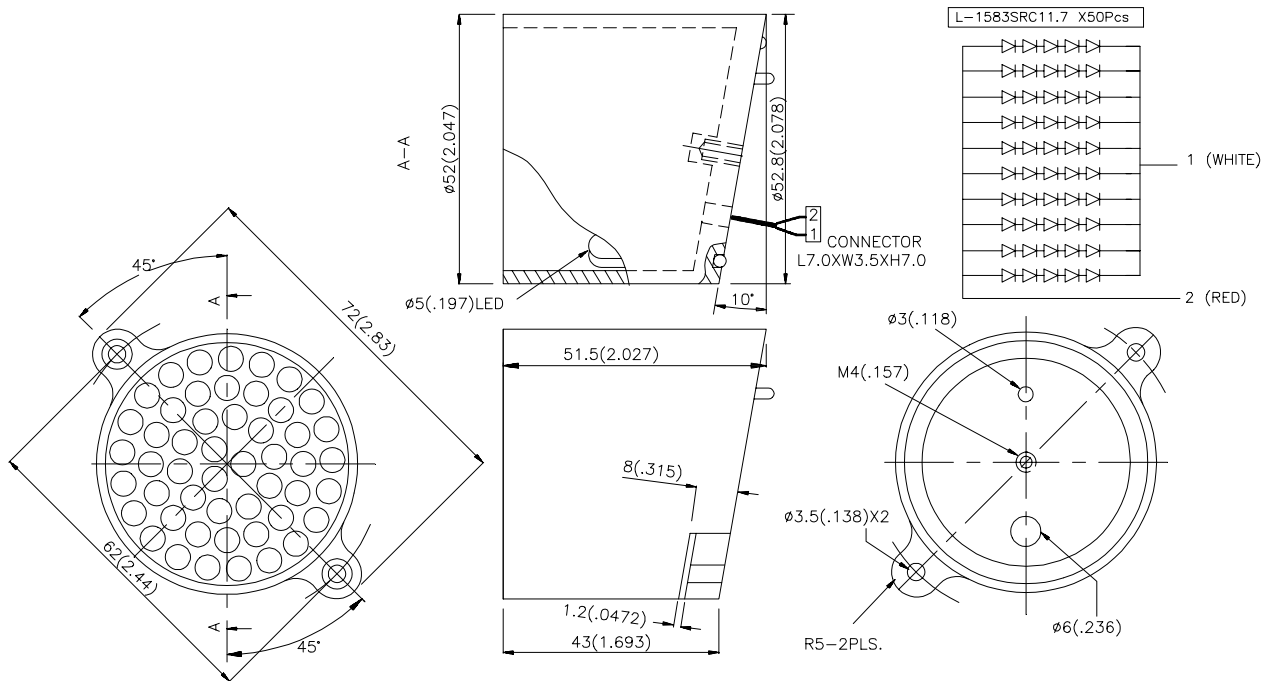
BL0307-50-44

Features

- WATERPROOF CONSTRUCTION.
- SUITABLE FOR OUTDOOR APPLICATIONS, SIGNBOARD OR MESSAGE BOARD, ETC.
- BOTH SINGLE COLOR AND MULTI-COLOR (RED, GREEN & ORANGE) ARE AVAILABLE.

Description

The Super Bright Red source color devices are made with Gallium Aluminum Arsenide Red Light Emitting Diode.



Notes:

1. All dimensions are in millimeters (inches).
2. Tolerance is $\pm 0.25(0.01)$ unless otherwise noted.
3. Lead spacing is measured where the lead emerge package.
4. Specifications are subject to change without notice.

Selection Guide

Part No.	Emitting Color +Material	λD (nm)	Lens Type	Iv (mcd) @20mA		Viewing Angle	IF (mA)
				Min.	Typ.	2 θ 1/2	
BL0307-50-44	GaAlAs	640	WATER CLEAR	16000	20000	40°	200

Note:

1. θ 1/2 is the angle from optical centerline where the luminous intensity is 1/2 the optical centerline value.

Electrical / Optical Characteristics at T_A=25°C

Symbol	Parameter	Device	Min.	Typ.	Max.	Units	Test Conditions
Iv	Luminous Intensity	BL0307-50-44	16000	20000	-	mcd	IF=200mA
θ	Viewing Angle		-	40	-	Deg	-
V _F	Forward Voltage		-	9.25	12.5	V	IF=200mA
λ_{peak}	Peak Wavelength		-	660	-	nm	IF=200mA
λD	Dominate Wavelength		-	640	-	-	IF=200mA
$\Delta\lambda$ 1/2	Spectral Line Halfwidth		-	20	-	nm	IF=200mA
I _r	Reverse Current		-	-	100	uA	VR = 5V

Absolute Maximum Ratings at T_A=25°C

Parameter	Super Bright Red	Units
Power dissipation	2.5	W
DC Forward Current	250	mA
Reverse Voltage	5	V
Operating Temperature	-40° C To +70° C	
Storage Temperature	-40° C To +85° C	