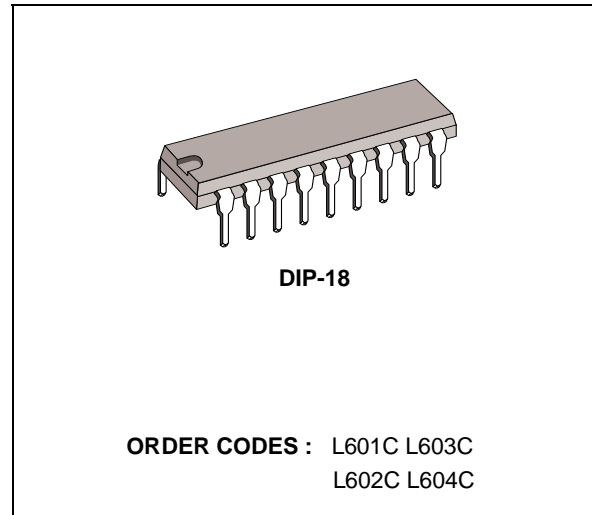


DARLINGTON ARRAYS

- EIGHT DARLINGTONS PER PACKAGE
- OUTPUT CURRENT 400 mA PER DRIVER (500 mA PEAK)
- OUTPUT VOLTAGE 90 V ($V_{CE(sus)} = 70$ V)
- INTEGRAL SUPPRESSION DIODES FOR INDUCTIVE LOADS
- OUTPUTS CAN BE PARALLELED FOR HIGHER CURRENT
- TTL / CMOS / PMOS / DTL COMPATIBLE INPUTS
- INPUTS PINNED OPPOSITE OUTPUTS TO SIMPLIFY LAYOUT



DESCRIPTION

The L601, L602, L603 and L604 are high voltage, high current darlington arrays each containing eight open collector darlington pairs with common emitters. Each channel is rated at 400 mA and can with stand peak currents of 500 mA. Suppression diodes are included for inductive load driving and the inputs are pinned opposite the outputs to simplify board layout.

The four versions interface to all common logic families:

L601	General purpose
L602	14 - 25 V PMOS
L603	5 V TTL
L604	6 - 15 V CMOS

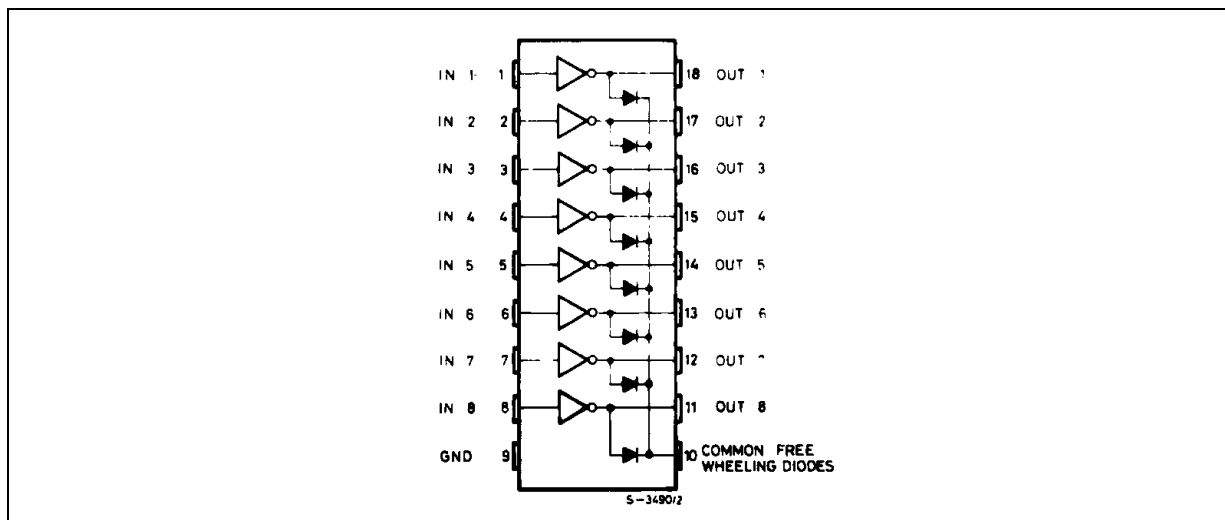
These versatile devices are useful for driving a wide range of loads, including solenoids, relays DC motors, LED displays, filament lamps, thermal print-heads and high power buffers.

ABSOLUTE MAXIMUM RATINGS

Symbol	Parameter	Value	Unit
V_{CEX}	Collector Emitter Voltage (input open)	90	V
I_c	Collector Current	0.4	A
I_c	Collector Peak Current	0.5	A
V_i	Input Voltage (for L602 L603 and L604)	30	
I_i	Input Current (for L601 only)	25	mA
P_{tot}	Total Power Dissipation a $T_{amb} = 25^\circ\text{C}$	1.8	W
T_{op}	Operating Junction Temperature	-25 to 150	$^\circ\text{C}$

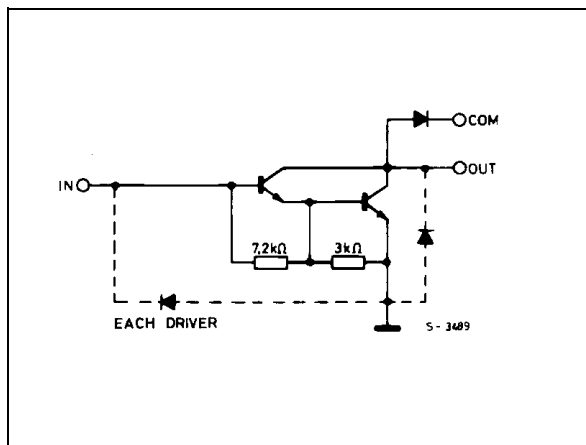
L601-L602-L603-L604

PIN CONNECTION (top view)

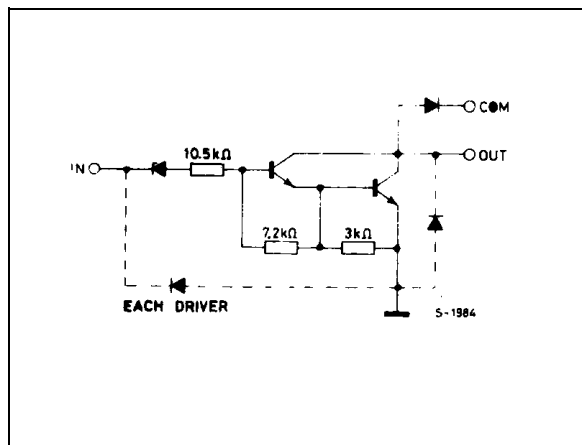


SCHEMATIC DIAGRAMS

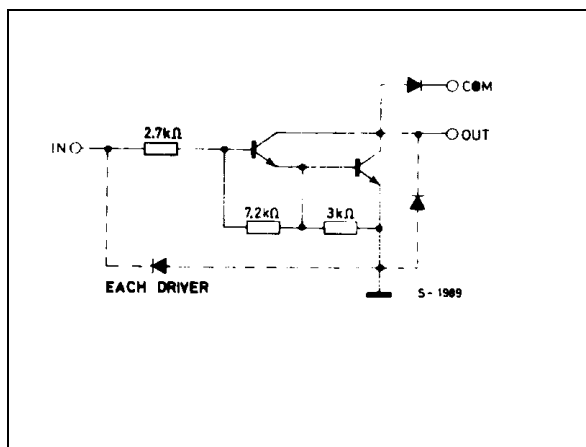
L601



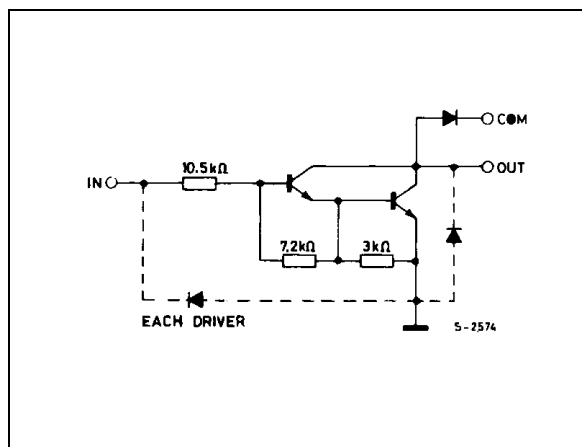
L602



L603



L604



THERMAL DATA

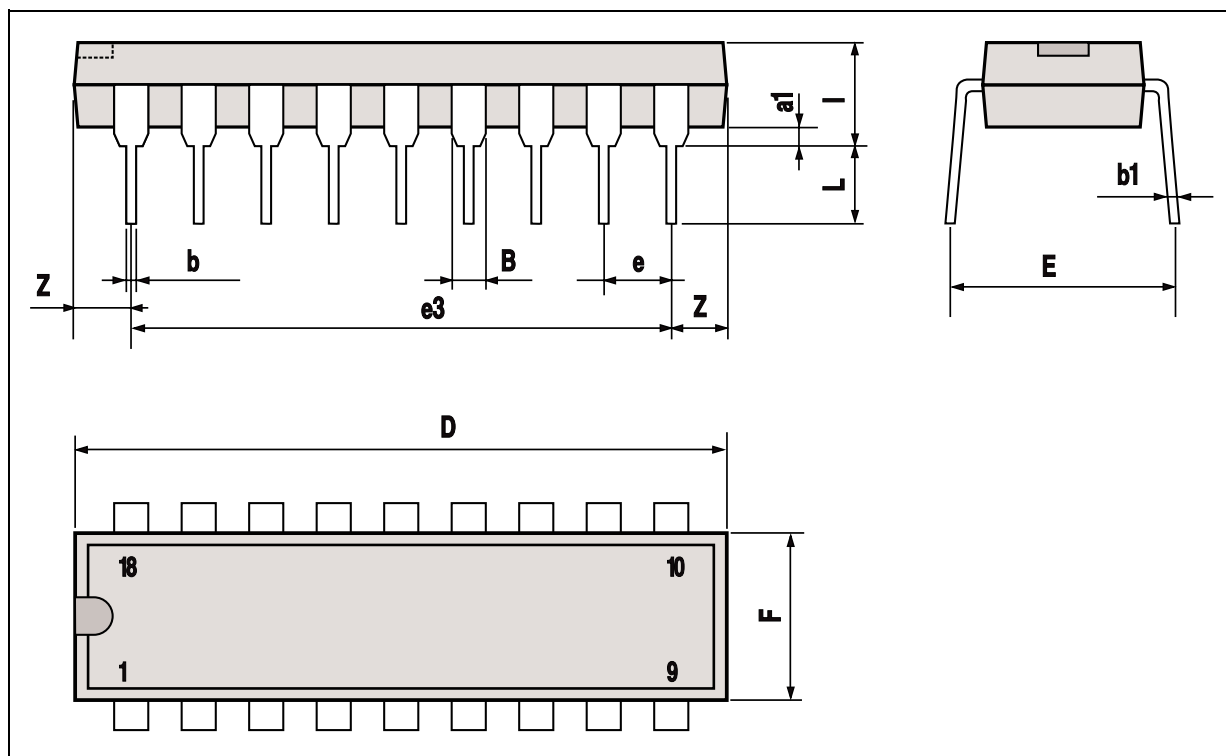
Symbol	Parameter	Value	Unit
$R_{th-j-amb}$	Thermal resistance Junction-ambient	Max 70	°C/W

ELECTRICAL CHARACTERISTICS ($T_{amb} = 25\text{ °C}$, unless otherwise specified)

Symbol	Parameter	Test conditions	Min.	Typ.	Max.	Unit
I_{CEX}	Output Leakage Current	$V_{CE} = 90\text{ V}$			10	μA
$V_{CE(sat)}$	Collector Emitter Saturation Voltage	$I_C = 300\text{ mA}$ $I_B = 500\text{ }\mu\text{A}$ $I_C = 200\text{ mA}$ $I_B = \mu\text{A}$ $I_C = 100\text{ mA}$ $I_B = 250\text{ }\mu\text{A}$			2 1.7 1.2	V V V
h_{FE}	DC Forward Current Gain (L601 only)	$V_{CE} = 3\text{ V}$ $I_C = 300\text{ mA}$	1000			-
V_i	Minimum Input Voltage (ON condition)	$V_{CE} = 3\text{ V}$ for L602 for L603 for L604 $I_C = 300\text{ mA}$			11.5 2.5 5	V V V
V_i	Maximum Input Voltage (OFF condition)	$V_{CE} = 90\text{ V}$ for L601 for L602 for L603 for L604 $I_C = 25\text{ }\mu\text{A}$	0.55 7 0.75 1			V V V V
I_R	Clamp Diode Reverse Current	$V_R = 90\text{ V}$			50	μA
V_F	Clamp Diode Forward Voltage	$I_F = 300\text{ mA}$		2	2.4	V
t_{on}	Turn-on Delay	0.5 V_i to 0.5 V_o		0.4		μs
t_{off}	Turn-off Delay	0.5 V_i to 0.5 V_o		0.4		μs

DIP18 PACKAGE MECHANICAL DATA

DIM.	mm			inch		
	MIN.	TYP.	MAX.	MIN.	TYP.	MAX.
a1	0.254			0.010		
B	1.39		1.65	0.055		0.065
b		0.46			0.018	
b1		0.25			0.010	
D			23.24			0.915
E		8.5			0.335	
e		2.54			0.100	
e3		20.32			0.800	
F			7.1			0.280
l			3.93			0.155
L		3.3			0.130	
Z		1.27	1.59		0.050	0.063



Information furnished is believed to be accurate and reliable. However, SGS-THOMSON Microelectronics assumes no responsibility for the consequences of use of such information nor for any infringement of patents or other rights of third parties which may result from its use. No license is granted by implication or otherwise under any patent or patent rights of SGS-THOMSON Microelectronics. Specifications mentioned in this publication are subject to change without notice. This publication supersedes and replaces all information previously supplied. SGS-THOMSON Microelectronics products are not authorized for use as critical components in life support devices or systems without express written approval of SGS-THOMSON Microelectronics.

© 1994 SGS-THOMSON Microelectronics - All Rights Reserved

SGS-THOMSON Microelectronics GROUP OF COMPANIES

Australia - Brazil - France - Germany - Hong Kong - Italy - Japan - Korea - Malaysia - Malta - Morocco - The Netherlands - Singapore - Spain - Sweden - Switzerland - Taiwan - Thailand - United Kingdom - U.S.A.