

AD586

FEATURES

Laser Trimmed to High Accuracy:
 5.000 V \pm 2.0 mV (M Grade)

Trimmed Temperature Coefficient:
 2 ppm/ $^{\circ}$ C max, 0 $^{\circ}$ C to +70 $^{\circ}$ C (M Grade)
 5 ppm/ $^{\circ}$ C max, -40 $^{\circ}$ C to +85 $^{\circ}$ C (B & L Grades)
 10 ppm/ $^{\circ}$ C max, -55 $^{\circ}$ C to +125 $^{\circ}$ C (T Grade)

Low Noise, 100 nV/ $\sqrt{\text{Hz}}$

Noise Reduction Capability

Output Trim Capability

MIL-STD-883 Compliant Versions Available

Industrial Temperature Range SOICs Available

Output Capable of Sourcing or Sinking 10 mA

PRODUCT DESCRIPTION

The AD586 represents a major advance in the state-of-the-art in monolithic voltage references. Using a proprietary ion-implanted buried Zener diode and laser wafer trimming of high stability thin-film resistors, the AD586 provides outstanding performance at low cost.

The AD586 offers much higher performance than most other 5 V references. Because the AD586 uses an industry standard pinout, many systems can be upgraded instantly with the AD586. The buried Zener approach to reference design provides lower noise and drift than bandgap voltage references. The AD586 offers a noise reduction pin which can be used to further reduce the noise level generated by the buried Zener.

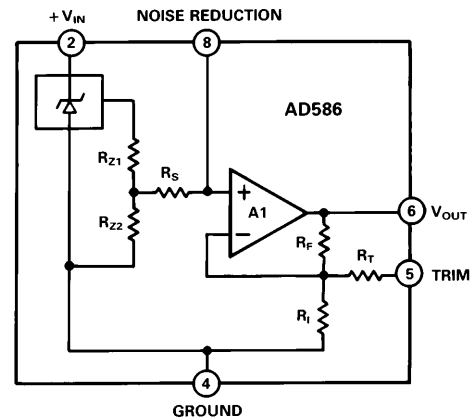
The AD586 is recommended for use as a reference for 8-, 10-, 12-, 14- or 16-bit D/A converters which require an external precision reference. The device is also ideal for successive approximation or integrating A/D converters with up to 14 bits of accuracy and, in general, can offer better performance than the standard on-chip references.

The AD586J, K, L and M are specified for operation from 0 $^{\circ}$ C to +70 $^{\circ}$ C, the AD586A and B are specified for -40 $^{\circ}$ C to +85 $^{\circ}$ C operation, and the AD586S and T are specified for -55 $^{\circ}$ C to +125 $^{\circ}$ C operation. The AD586J, K, L and M are available in an 8-pin plastic DIP. The AD586J, K, L, A and B are available in an 8-pin plastic surface mount small outline (SO) package. The AD586J, K, L, S and T are available in an 8-pin cerdip package.

REV. C

Information furnished by Analog Devices is believed to be accurate and reliable. However, no responsibility is assumed by Analog Devices for its use, nor for any infringements of patents or other rights of third parties which may result from its use. No license is granted by implication or otherwise under any patent or patent rights of Analog Devices.

FUNCTIONAL BLOCK DIAGRAM



NOTE: PINS 1, 3 & 7 ARE INTERNAL TEST POINTS.
 MAKE NO CONNECTIONS TO THESE POINTS.

PRODUCT HIGHLIGHTS

1. Laser trimming of both initial accuracy and temperature coefficients results in very low errors over temperature without the use of external components. The AD586M has a maximum deviation from 5.000 V of \pm 2.45 mV between 0 $^{\circ}$ C and +70 $^{\circ}$ C, and the AD586T guarantees \pm 7.5 mV maximum total error between -55 $^{\circ}$ C and +125 $^{\circ}$ C.
2. For applications requiring higher precision, an optional fine-trim connection is provided.
3. Any system using an industry standard pinout reference can be upgraded instantly with the AD586.
4. Output noise of the AD586 is very low, typically 4 μ V p-p. A noise reduction pin is provided for additional noise filtering using an external capacitor.
5. The AD586 is available in versions compliant with MIL-STD-883. Refer to the Analog Devices Military Products Databook or current AD586/883B data sheet for detailed specifications.

AD586—SPECIFICATIONS (@ $T_A = +25^\circ\text{C}$, $V_{IN} = +15\text{ V}$ unless otherwise noted)

Model	AD586J		AD586K/A		AD586L/B		AD586M		AD586S		AD586T		Units
	Min	Typ Max	Min	Typ Max	Min	Typ Max	Min	Typ Max	Min	Typ Max	Min	Typ Max	
Output Voltage	4.980	5.020	4.995	5.005	4.9975	5.0025	4.998	5.002	4.990	5.010	4.9975	5.0025	V
Output Voltage Drift ¹ 0°C to +70°C -55°C to +125°C	25		15		5		2		20		10		ppm/°C
Gain Adjustment	+6 -2		+6 -2		+6 -2		+6 -2		+6 -2		+6 -2		%
Line Regulation ¹ 10.8 V < V_{IN} < 36 V T_{MIN} to T_{MAX} 11.4 V < V_{IN} < 36 V T_{MIN} to T_{MAX}	100		100		100		100		150		150		± $\mu\text{V/V}$
Load Regulation ¹ Sourcing 0 < I_{OUT} < 10 mA 25°C T_{MIN} to T_{MAX} Sinking -10 < I_{OUT} < 0 mA 25°C	100 100		100 100		100 100		100 100		150 150		150 150		$\mu\text{V/mA}$
Quiescent Current	2	3	2	3	2	3	2	3	2	3	2	3	mA
Power Consumption	30		30		30		30		30		30		mW
Output Noise 0.1 Hz to 10 Hz Spectral Density, 100 Hz	4		4		4		4		4		4		$\mu\text{V p-p}$ $\text{nV}/\sqrt{\text{Hz}}$
Long-Term Stability	15		15		15		15		15		15		ppm/1000 Hr
Short-Circuit Current-to-Ground	45	60	45	60	45	60	45	60	45	60	45	60	mA
Temperature Range Specified Performance ² Operating Performance ³	0	+70	0	+70	0	+70	0	+70	-55	+125	-55	+125	°C
	-40	+85	-40	+85	-40	+85	-40	+85	-55	+125	-55	+125	

NOTES

¹Maximum output voltage drift is guaranteed for all packages and grades. Cerdip packaged parts are also 100°C production tested.

²Lower row shows specified performance for A and B grades.

³The operating temperature range is defined as the temperatures extremes at which the device will still function. Parts may deviate from their specified performance outside their specified temperature range.

Specifications subject to change without notice.

Specifications in boldface are rested on all production units at final electrical test. Results from those tests are used to calculate outgoing quality levels. All min and max specifications are guaranteed, although only those shown in boldface are tested on all production units unless otherwise specified.

ABSOLUTE MAXIMUM RATINGS*

V_{IN} to Ground 36 V

Power Dissipation (25°C) 500 mW

Storage Temperature -65°C to +150°C

Lead Temp (Soldering, 10 sec) +300°C

Package Thermal Resistance

θ_{JC} 22°C/W

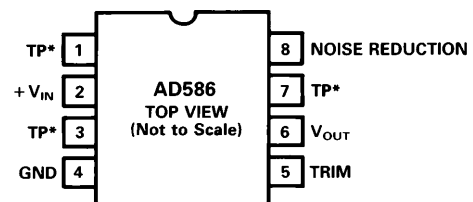
θ_{JA} 110°C/W

Output Protection: Output safe for indefinite short to ground or

V_{IN} .

*Stresses above those listed under "Absolute Maximum Ratings" may cause permanent damage to the device. This is a stress rating only and functional operation of the device at these or any other conditions above those indicated in the operational section of this specification is not implied. Exposure to absolute maximum rating conditions for extended periods may affect device reliability.

CONNECTION DIAGRAM (Top View)



*TP DENOTES FACTORY TEST POINT.
NO CONNECTIONS SHOULD BE MADE
TO THESE PINS.

DIE SPECIFICATIONS

The following specifications are tested at the die level for AD586JCHIPS. These die are probed at 25°C only. ($T_A = +25^\circ\text{C}$, $V_{IN} = +15\text{ V}$ unless otherwise noted)

Parameter	AD586JCHIPS			Units
	Min	Typ	Max	
Output Voltage	4.980		5.020	V
Gain Adjustment	+6			%
	-2			%
Line Regulation $10.8\text{ V} < +V_{IN} < 36\text{ V}$			100	$\pm\mu\text{V/V}$
Load Regulation				
Sourcing $0 < I_{OUT} < 10\text{ mA}$			100	$\mu\text{V/mA}$
Sinking $-10 < I_{OUT} < 0\text{ mA}$			400	$\mu\text{V/mA}$
Quiescent Current			3	mA
Short-Circuit Current-to-Ground			60	mA

NOTES

¹Both V_{OUT} pads should be connected to the output.

Die Thickness: The standard thickness of Analog Devices Bipolar dice is 24 mils \pm 2 mils.

Die Dimensions: The dimensions given have a tolerance of \pm 2 mils.

Backings: The standard backside surface is silicon (not plated). Analog Devices does not recommend gold-backed dice for most applications.

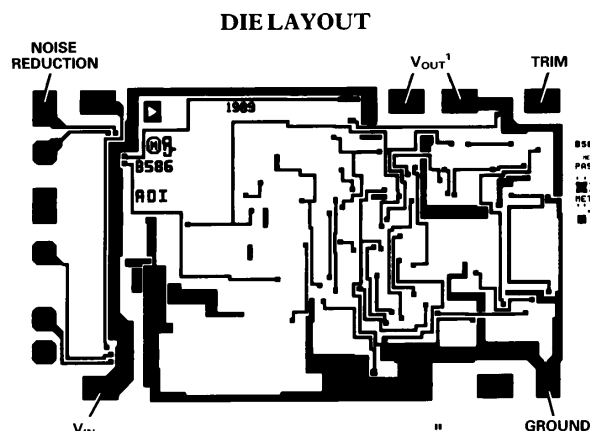
Edges: A diamond saw is used to separate wafers into dice thus providing perpendicular edges half-way through the die.

In contrast to scribed dice, this technique provides a more uniform die shape and size. The perpendicular edges facilitate handling (such as tweezer pick-up) while the uniform shape and size simplifies substrate design and die attach.

Top Surface: The standard top surface of the die is covered by a layer of glassivation. All areas are covered except bonding pads and scribe lines.

Surface Metalization: The metalization to Analog Devices bipolar dice is aluminum. Minimum thickness is 10,000Å.

Bonding Pads: All bonding pads have a minimum size of 4 mils by 4 mils. The passivation windows have 3.5 mils by 3.5 mils minimum.



Die Size: 0.096 × 0.061 Inches

ORDERING GUIDE

Model ¹	Initial Error	Temperature Coefficient	Temperature Range	Package Option ²
AD586JN	20 mV	25 ppm/°C	0°C to +70°C	N-8
AD586JQ	20 mV	25 ppm/°C	0°C to +70°C	Q-8
AD586JR	20 mV	25 ppm/°C	0°C to +70°C	SO-8
AD586KN	5 mV	15 ppm/°C	0°C to +70°C	N-8
AD586KQ	5 mV	15 ppm/°C	0°C to +70°C	Q-8
AD586KR	5 mV	15 ppm/°C	0°C to +70°C	SO-8
AD586LN	2.5 mV	5 ppm/°C	0°C to +70°C	N-8
AD586LR	2.5 mV	5 ppm/°C	0°C to +70°C	SO-8
AD586MN	2 mV	2 ppm/°C	0°C to +70°C	N-8
AD586AR	5 mV	15 ppm/°C	-40°C to +85°C	SO-8
AD586BR	2.5 mV	5 ppm/°C	-40°C to +85°C	SO-8
AD586LQ	2.5 mV	5 ppm/°C	0°C to +70°C	Q-8
AD586SQ	10 mV	20 ppm/°C	-55°C to +125°C	Q-8
AD586TQ	2.5 mV	10 ppm/°C	-55°C to +125°C	Q-8
AD586JCHIPS	20 mV	25 ppm/°C	0°C to +70°C	

NOTES

¹For details on grade and package offerings screened in accordance with MIL-STD-883, refer to the Analog Devices Military Products Databook or current AD586/883B data sheet.

²N = Plastic DIP; Q = Cerdip; SO = Small Outline IC (SOIC).

CAUTION

ESD (electrostatic discharge) sensitive device. Electrostatic charges as high as 4000 V readily accumulate on the human body and test equipment and can discharge without detection. Although the AD586 features proprietary ESD protection circuitry, permanent damage may occur on devices subjected to high energy electrostatic discharges. Therefore, proper ESD precautions are recommended to avoid performance degradation or loss of functionality.



AD586

THEORY OF OPERATION

The AD586 consists of a proprietary buried Zener diode reference, an amplifier to buffer the output and several high stability thin-film resistors as shown in the block diagram in Figure 1. This design results in a high precision monolithic 5 V output reference with initial offset of 2.0 mV or less. The temperature compensation circuitry provides the device with a temperature coefficient of under 2 ppm/°C.

Using the bias compensation resistor between the Zener output and the noninverting input to the amplifier, a capacitor can be added at the NOISE REDUCTION pin (Pin 8) to form a low-pass filter and reduce the noise contribution of the Zener to the circuit.

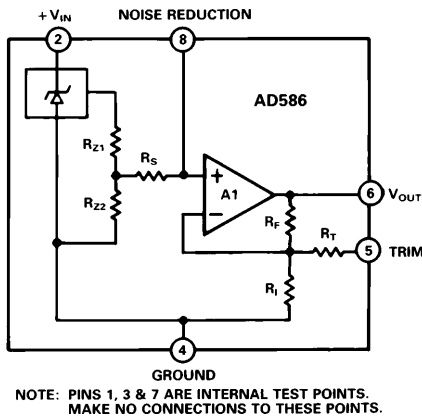


Figure 1. AD586 Functional Block Diagram

APPLYING THE AD586

The AD586 is simple to use in virtually all precision reference applications. When power is applied to Pin 2 and Pin 4 is grounded, Pin 6 provides a 5 V output. No external components are required; the degree of desired absolute accuracy is achieved simply by selecting the required device grade. The AD586 requires less than 3 mA quiescent current from an operating supply of +12 V or +15 V.

An external fine trim may be desired to set the output level to exactly 5.000 V (calibrated to a main system reference). System calibration may also require a reference voltage that is slightly different from 5.000 V, for example, 5.12 V for binary applications. In either case, the optional trim circuit shown in Figure 2 can offset the output by as much as 300 mV, if desired, with minimal effect on other device characteristics.

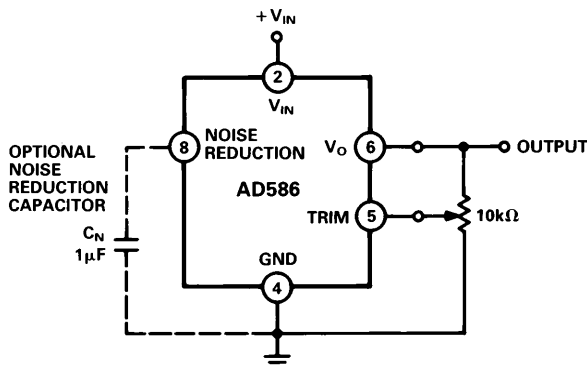


Figure 2. Optional Fine Trim Configuration

NOISE PERFORMANCE AND REDUCTION

The noise generated by the AD586 is typically less than 4 μV p-p over the 0.1 Hz to 10 Hz band. Noise in a 1 MHz bandwidth is approximately 200 μV p-p. The dominant source of this noise is the buried Zener which contributes approximately 100 nV/√Hz. In comparison, the op amp's contribution is negligible. Figure 3 shows the 0.1 Hz to 10 Hz noise of a typical AD586. The noise measurement is made with a bandpass filter made of a 1-pole high-pass filter with a corner frequency at 0.1 Hz and a 2-pole low-pass filter with a corner frequency at 12.6 Hz to create a filter with a 9.922 Hz bandwidth.

If further noise reduction is desired, an external capacitor may be added between the NOISE REDUCTION pin and ground as shown in Figure 2. This capacitor, combined with the 4 kΩ R_S and the Zener resistances form a low-pass filter on the output of the Zener cell. A 1 μF capacitor will have a 3 dB point at 12 Hz, and it will reduce the high frequency (to 1 MHz) noise to about 160 μV p-p. Figure 4 shows the 1 MHz noise of a typical AD586 both with and without a 1 μF capacitor.

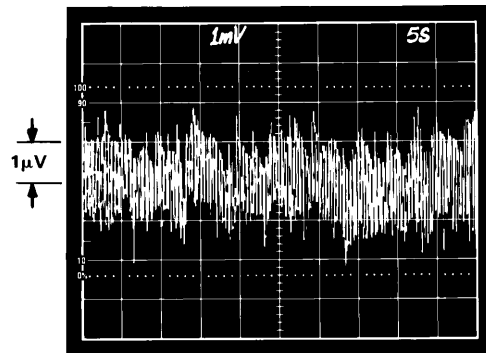


Figure 3. 0.1 Hz to 10 Hz Noise

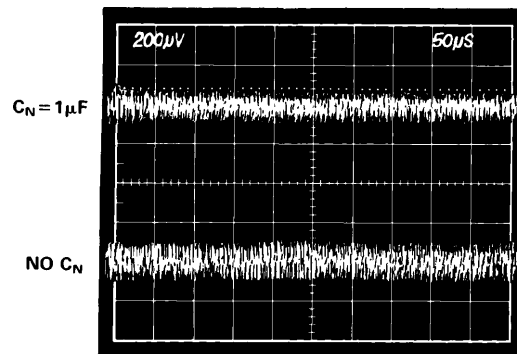
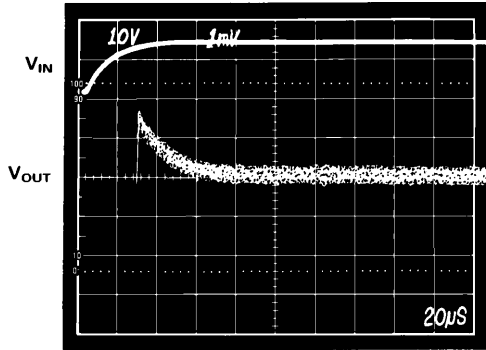


Figure 4. Effect of 1 μF Noise Reduction Capacitor on Broadband Noise

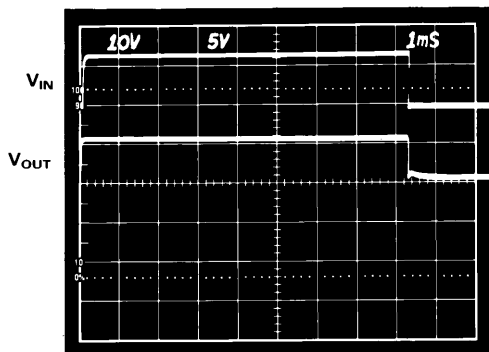
TURN-ON TIME

Upon application of power (cold start), the time required for the output voltage to reach its final value within a specified error band is defined as the turn-on settling time. Two components normally associated with this are: the time for the active circuits to settle, and the time for the thermal gradients on the chip to stabilize. Figure 5 shows the turn-on characteristics of the AD586. It shows the settling to be about 60 μsec to 0.01%. Note the absence of any thermal tails when the horizontal scale is expanded to 1 ms/cm in Figure 5b.

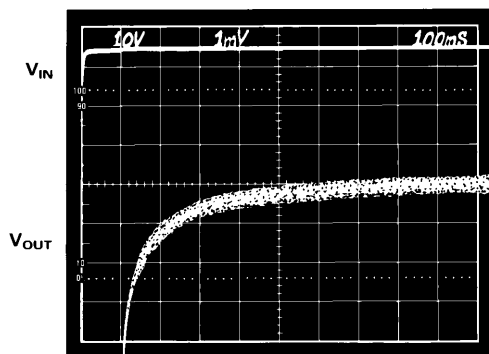
Output turn-on time is modified when an external noise reduction capacitor is used. When present, this capacitor acts as an additional load to the internal Zener diode's current source, resulting in a somewhat longer turn-on time. In the case of a 1 μF capacitor, the initial turn-on time is approximately 400 ms to 0.01% (see Figure 5c).



a. Electrical Turn-On



b. Extended Time Scale



c. Turn-On with 1 μF C_N

Figure 5. Turn-On Characteristics

DYNAMIC PERFORMANCE

The output buffer amplifier is designed to provide the AD586 with static and dynamic load regulation superior to less complete references.

Many A/D and D/A converters present transient current loads to the reference, and poor reference response can degrade the converter's performance.

Figure 6 displays the characteristics of the AD586 output amplifier driving a 0 mA to 10 mA load.

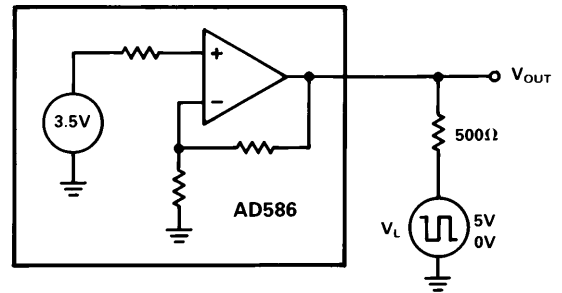


Figure 6a. Transient Load Test Circuit

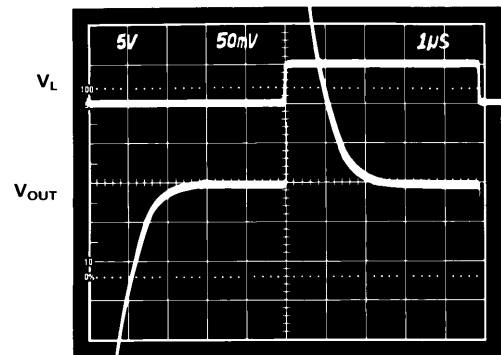


Figure 6b. Large-Scale Transient Response

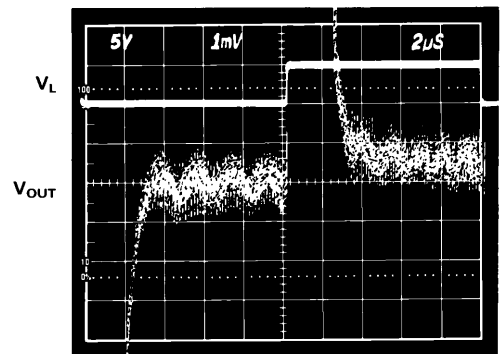


Figure 6c. Fine-Scale Settling for Transient Load

AD586

In some applications, a varying load may be both resistive and capacitive in nature, or the load may be connected to the AD586 by a long capacitive cable.

Figure 7 displays the output amplifier characteristics driving a 1000 pF, 0 to 10 mA load.

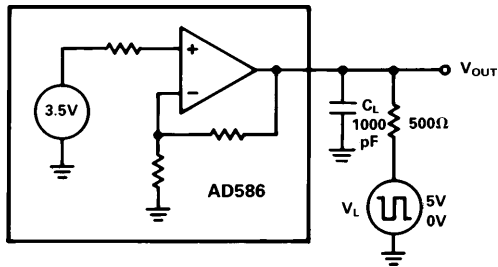


Figure 7a. Capacitive Load Transient Response Test Circuit

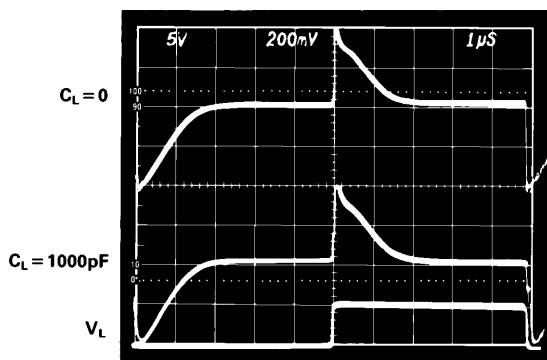


Figure 7b. Output Response with Capacitive Load

LOAD REGULATION

The AD586 has excellent load regulation characteristics. Figure 8 shows that varying the load several mA changes the output by a few μV . The AD586 has somewhat better load regulation performance sourcing current than sinking current.

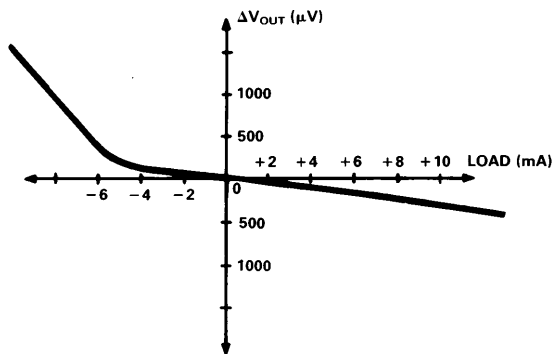


Figure 8. Typical Load Regulation Characteristics

TEMPERATURE PERFORMANCE

The AD586 is designed for precision reference applications where temperature performance is critical. Extensive temperature testing ensures that the device's high level of performance is maintained over the operating temperature range.

Some confusion exists in the area of defining and specifying reference voltage error over temperature. Historically, references have been characterized using a maximum deviation per degree

Centigrade; i.e., ppm/°C. However, because of nonlinearities in temperature characteristics which originated in standard Zener references (such as "S" type characteristics), most manufacturers have begun to use a maximum limit error band approach to specify devices. This technique involves the measurement of the output at three or more different temperatures to specify an output voltage error band.

Figure 9 shows the typical output voltage drift for the AD586L and illustrates the test methodology. The box in Figure 9 is bounded on the sides by the operating temperature extremes, and on the top and the bottom by the maximum and minimum output voltages measured over the operating temperature range. The slope of the diagonal drawn from the lower left to the upper right corner of the box determines the performance grade of the device.

$$\begin{aligned} \text{SLOPE} = \text{T.C.} &= \frac{V_{\text{max}} - V_{\text{min}}}{(T_{\text{max}} - T_{\text{min}}) \times 5 \times 10^{-6}} \\ &= \frac{5.0027 - 5.0012}{(70^\circ\text{C} - 0) \times 5 \times 10^{-6}} \\ &= 4.3 \text{ ppm}/^\circ\text{C} \end{aligned}$$

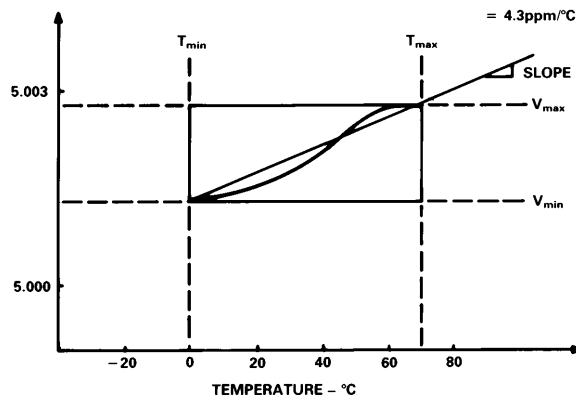


Figure 9. Typical AD586L Temperature Drift

Each AD586J, K and L grade unit is tested at 0°C, +25°C and +70°C. Each AD586SQ and TQ grade unit is tested at -55°C, +25°C and +125°C. This approach ensures that the variations of output voltage that occur as the temperature changes within the specified range will be contained within a box whose diagonal has a slope equal to the maximum specified drift. The position of the box on the vertical scale will change from device to device as initial error and the shape of the curve vary. The maximum height of the box for the appropriate temperature range and device grade is shown in Figure 10. Duplication of these results requires a combination of high accuracy and stable temperature control in a test system. Evaluation of the AD586 will produce a curve similar to that in Figure 9, but output readings may vary depending on the test methods and equipment utilized.

DEVICE GRADE	MAXIMUM OUTPUT CHANGE (mV)		
	0°C TO +70°C	-40°C TO +85°C	-55°C TO +125°C
AD586J	8.75		
AD586K	5.25		
AD586L	1.75		
AD586M	0.70		
AD586A		3.12	
AD586B		9.37	
AD586S			18.00
AD586T			9.00

Figure 10. Maximum Output Change in mV

NEGATIVE REFERENCE VOLTAGE FROM AN AD586

The AD586 can be used to provide a precision -5.000 V output as shown in Figure 11. The V_{IN} pin is tied to at least a $+6\text{ V}$ supply, the output pin is grounded, and the AD586 ground pin is connected through a resistor, R_S , to a -15 V supply. The -5 V output is now taken from the ground pin (Pin 4) instead of V_{OUT} . It is essential to arrange the output load and the supply resistor R_S so that the net current through the AD586 is between 2.5 mA and 10.0 mA . The temperature characteristics and long-term stability of the device will be essentially the same as that of a unit used in the standard $+5\text{ V}$ output configuration.

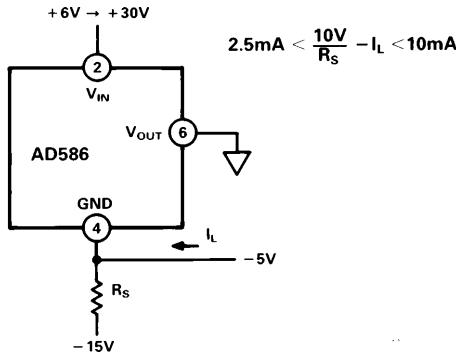


Figure 11. AD586 as a Negative 5 V Reference

USING THE AD586 WITH CONVERTERS

The AD586 is an ideal reference for a wide variety of 8-, 12-, 14- and 16-bit A/D and D/A converters. Several representative examples follow.

5 V REFERENCE WITH MULTIPLYING CMOS D/A OR A/D CONVERTERS

The AD586 is ideal for applications with 10- and 12-bit multiplying CMOS D/A converters. In the standard hookup, as shown in Figure 12, the AD586 is paired with the AD7545 12-bit multiplying DAC and the AD711 high-speed BiFET Op Amp. The amplifier DAC configuration produces a unipolar 0 V to -5 V output range. Bipolar output applications and other operating details can be found on the individual product data sheets.

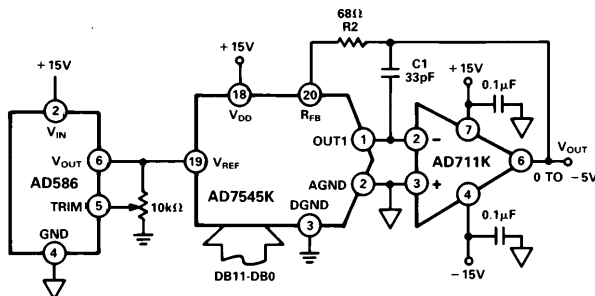


Figure 12. Low-Power 12-Bit CMOS DAC Application

The AD586 can also be used as a precision reference for multiple DACs. Figure 13 shows the AD586, the AD7628 dual DAC and the AD712 dual op amp hooked up for single supply operation to produce 0 V to -5 V outputs. Because both DACs are on the same die and share a common reference and output op amps, the DAC outputs will exhibit similar gain TCs.

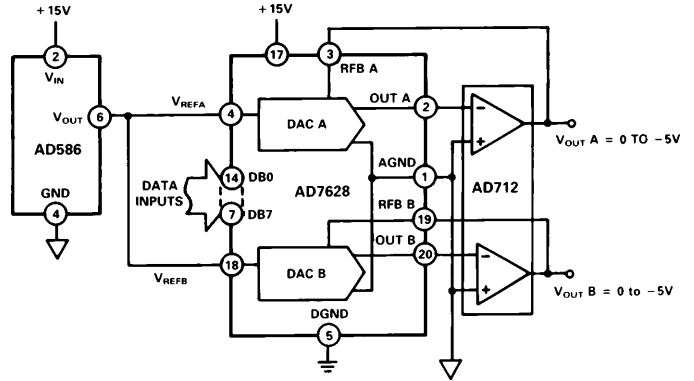


Figure 13. AD586 as a 5 V Reference for a CMOS Dual DAC

STACKED PRECISION REFERENCES FOR MULTIPLE VOLTAGES

Often, a design requires several reference voltages. Three AD586s can be stacked, as shown in Figure 14, to produce $+5.000\text{ V}$, $+10.000\text{ V}$, and $+15.000\text{ V}$ outputs. This scheme can be extended to any number of AD586s as long as the maximum load current is not exceeded. This design provides the additional advantage of improved line regulation on the $+5.0\text{ V}$ output. Changes in V_{IN} of $+18\text{ V}$ to $+50\text{ V}$ produces an output change that is below the noise level of the references.

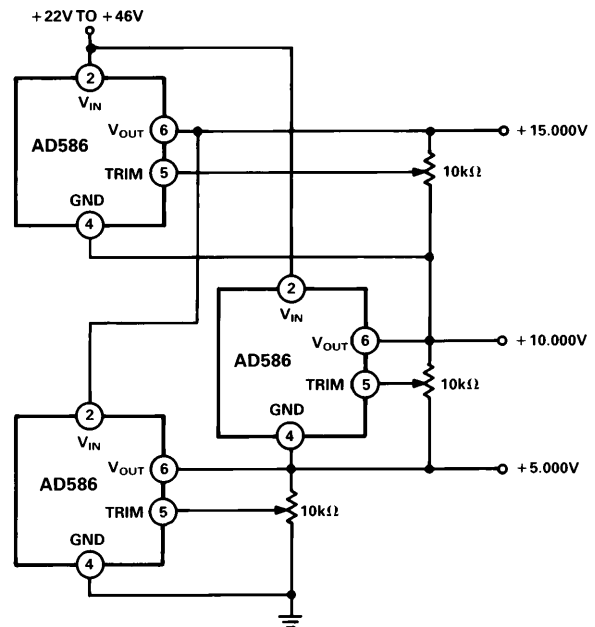


Figure 14. Multiple AD586s Stacked for Precision 5 V, 10 V and 15 V Outputs

AD586

PRECISION CURRENT SOURCE

The design of the AD586 allows it to be easily configured as a current source. By choosing the control resistor R_C in Figure 15, you can vary the load current from the quiescent current (2 mA typically) to approximately 10 mA. The compliance voltage of this circuit varies from about +5 V to +21 V depending upon the value of V_{IN} .

PRECISION HIGH CURRENT SUPPLY

For higher currents, the AD586 can easily be connected to a power PNP or power Darlington PNP device. The circuit in Figure 16 can deliver up to 4 amps to the load. The 0.1 μF

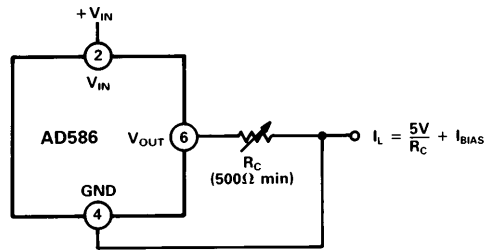


Figure 15. Precision Current Source

capacitor is required only if the load has a significant capacitive component. If the load is purely resistive, improved high-frequency supply rejection results can be obtained by removing the capacitor.

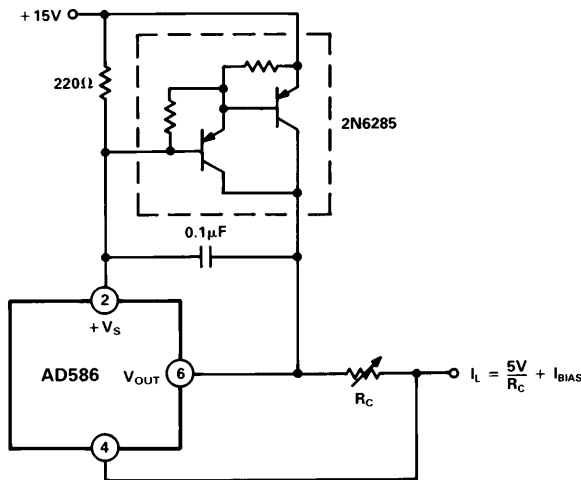


Figure 16a. Precision High-Current Current Source

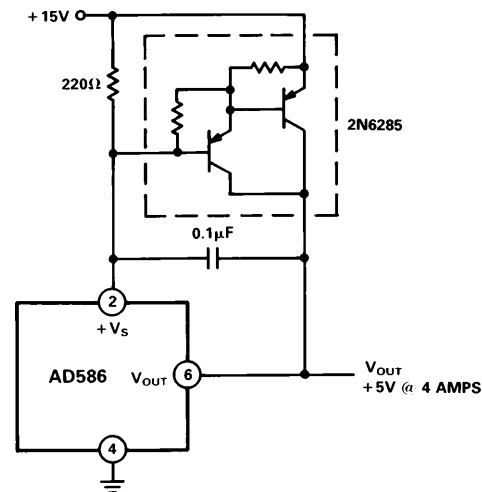
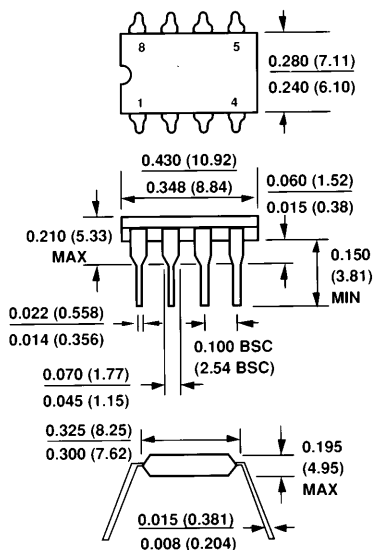


Figure 16b. Precision High-Current Voltage Source

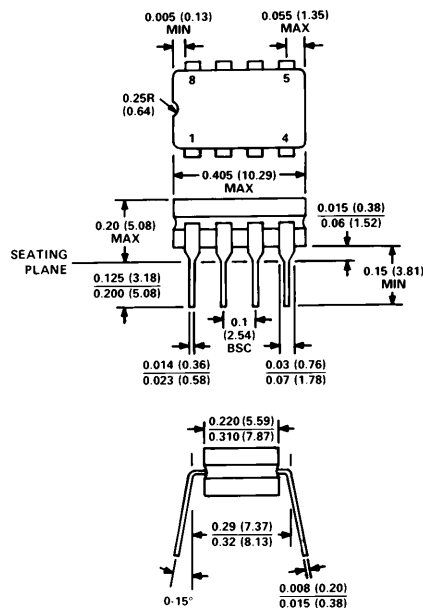
OUTLINE DIMENSIONS

Dimensions shown in inches and (mm.)

Mini-DIP (N-8) Package



Cerdip (Q-8) Package



Small Outline (R-8) Package

