

CMOS FIFO Register

4 Bits X 16 Words

High-Voltage Types (20-Volt Rating)

■ CD40105B is a low-power first-in-first-out (FIFO) "elastic" storage register that can store 16 4-bit words. It is capable of handling input and output data at different shifting rates. This feature makes it particularly useful as a buffer between asynchronous systems.

Each word position in the register is clocked by a control flip-flop, which stores a marker bit. A "1" signifies that the position's data is filled and a "0" denotes a vacancy in that position. The control flip-flop detects the state of the preceding flip-flop and communicates its own status to the succeeding flip-flop. When a control flip-flop is in the "0" state and sees a "1" in the preceding flip-flop, it generates a clock pulse that transfers data from the preceding four data latches into its own four data latches and resets the preceding flip-flop to "0". The first and last control flip-flops have buffered outputs. Since all empty locations "bubble" automatically to the input end, and all valid data ripple through to the output end, the status of the first control flip-flop (DATA-IN READY) indicates if the FIFO is full, and the status of the last flip-flop (DATA-OUT READY) indicates if the FIFO contains data. As the earliest data are removed from the bottom of the data stack (the output end), all data entered later will automatically propagate (ripple) toward the output.

Loading Data — Data can be entered whenever the DATA-IN READY (DIR) flag is high, by a low to high transition on the SHIFT-IN (SI) input. This input must go low momentarily before the next word is accepted by the FIFO. The DIR flag will go low momentarily, until the data have been trans-

Features:

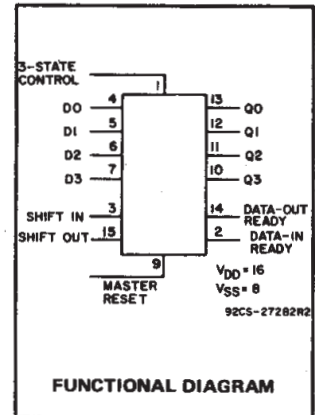
- Independent asynchronous inputs and outputs
- 3-state outputs
- Status indicators on input and output
- Reset capability
- Expandable in either direction
- Standardized, symmetrical output characteristics
- 100% tested for quiescent current at 20 V
- 5-V, 10-V, and 15-V parametric ratings
- Maximum input current of 1 μ A at 18 V over full package-temperature range; 100 nA at 18 V and 25°C
- Noise margin (over full package-temperature range): 1 V at $V_{DD} = 5$ V
2 V at $V_{DD} = 10$ V 2.5 V at $V_{DD} = 15$ V
- Meets all requirements of JEDEC Tentative Standard No. 13B, "Standard Specifications for Description of 'B' Series CMOS Devices"

ferred to the second location. The flag will remain low when all 16-word locations are filled with valid data, and further pulses on the SI input will be ignored until DIR goes high.

Unloading Data — As soon as the first word has rippled to the output, DATA-OUT READY (DOR) goes high, and data can be removed by a falling edge on the SO input. This falling edge causes the DOR signal to go low while the word on the output is dumped and the next word moves to the output. As long as valid data are available in the FIFO, the DOR signal will go high again signifying that the next word is ready at the output. When the FIFO is empty, DOR will remain low, and any further commands will be ignored until a "1" marker ripples down to the last control register,

MAXIMUM RATINGS, Absolute-Maximum Values:

| | |
|--|--|
| DC SUPPLY-VOLTAGE RANGE, (V_{DD}) | |
| Voltages referenced to V_{SS} Terminal) | -0.5V to +20V |
| INPUT VOLTAGE RANGE, ALL INPUTS | -0.5V to $V_{DD} + 0.5V$ |
| DC INPUT CURRENT, ANY ONE INPUT | ± 10 mA |
| POWER DISSIPATION PER PACKAGE (P_D): | |
| For $T_A = -55^\circ\text{C}$ to $+100^\circ\text{C}$ | 500mW |
| For $T_A = +100^\circ\text{C}$ to $+125^\circ\text{C}$ | Derate Linearly at 12mW/ $^\circ\text{C}$ to 200mW |
| DEVICE DISSIPATION PER OUTPUT TRANSISTOR | |
| FOR $T_A = \text{FULL PACKAGE-TEMPERATURE RANGE (All Package Types)}$ | 100mW |
| OPERATING-TEMPERATURE RANGE (T_A) | -55°C to $+125^\circ\text{C}$ |
| STORAGE TEMPERATURE RANGE (T_{stg}) | -65°C to $+150^\circ\text{C}$ |
| LEAD TEMPERATURE (DURING SOLDERING): | |
| At distance 1/16 \pm 1/32 inch (1.59 \pm 0.79mm) from case for 10s max | +265°C |



Applications:

- Bit rate smoothing
- CPU/terminal buffering
- Data communications
- Peripheral buffering
- Line printer input buffers
- Auto dialers
- CRT buffer memories
- Radar data acquisition

when DOR goes high. Unloading of data is inhibited while the 3-state control input is high. The 3-state control signal should not be shifted from high to low (data outputs turned on) while the SHIFT-OUT is at logic 0. This level change would cause the first word to be shifted out (unloaded) immediately and the data to be lost.

Cascading — The CD40105B can be cascaded to form longer registers simply by connecting the DIR to SO and DOR to SI. In the cascaded mode, a MASTER RESET pulse must be applied after the supply voltage is turned on. For words wider than 4 bits, the DIR and the DOR outputs must be gated together with AND gates. Their outputs drive the SI and SO inputs in parallel, if expanding is done in both directions (see Figs. 3 and 15).

3-State Outputs — In order to facilitate data busing, 3-state outputs are provided on the data output lines, while the load condition of the register can be detected by the state of the DOR output.

Master Reset — A high on the MASTER RESET (MR) sets all the control logic marker bits to "0". DOR goes low and DIR goes high. The contents of the data register are not changed, only declared invalid, and will be superseded when the first word is loaded. The shift-in must be low during Master Reset.

The CD40105B types are supplied in 16-lead hermetic dual-in-line ceramic packages (D and F suffixes), 16-lead dual-in-line plastic packages (E suffix), and in chip form (H suffix).

3
COMMERCIAL CMOS
HIGH VOLTAGE ICs

CD40105B Types

RECOMMENDED OPERATING CONDITIONS at 25°C, Except as Noted

For maximum reliability, nominal operating conditions should be selected so that operation is always within the following ranges:

| CHARACTERISTIC | V _{DD} (V) | LIMITS | | UNITS |
|--|---------------------|--------|------|-------|
| | | Min. | Max. | |
| Supply-Voltage Range (For T _A = Full Package - Temperature Range) | — | 3 | 18 | V |
| Shift-In or Shift-Out Rate | 5 | — | 1.5 | MHz |
| | 10 | — | 3 | |
| | 15 | — | 4 | |
| Shift-In Pulse Width (Pin 3) | 5 | 200 | — | ns |
| | 10 | 80 | — | |
| | 15 | 60 | — | |
| Shift-Out Pulse Width (Pin 15) | 5 | 180 | — | ns |
| | 10 | 75 | — | |
| | 15 | 55 | — | |
| Shift-In or Shift-Out Rise Time | 5 | — | 15 | μs |
| | 10 | — | 15 | |
| | 15 | — | 15 | |
| Shift-In Fall Time | 5 | — | 15 | μs |
| | 10 | — | 15 | |
| | 15 | — | 15 | |
| Shift-Out Fall Time | 5 | — | 15 | μs |
| | 10 | — | 5 | |
| | 15 | — | 5 | |
| Data Hold Time | 5 | 350 | — | ns |
| | 10 | 150 | — | |
| | 15 | 120 | — | |
| Master Reset Pulse Width | 5 | 220 | — | ns |
| | 10 | 90 | — | |
| | 15 | 60 | — | |

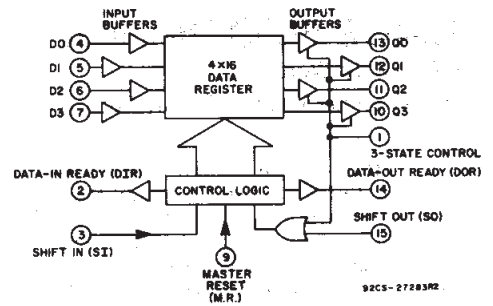


Fig. 2 - CD40105B functional block diagram.

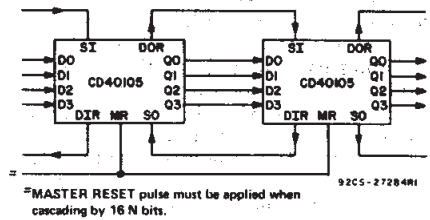


Fig. 3 - Expansion, 4-bits wide-by-16 N-bits long.

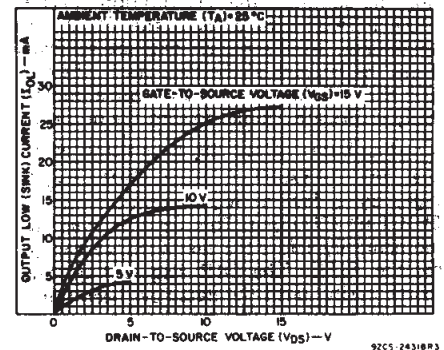


Fig. 4 - Typical output low (sink) current characteristics.

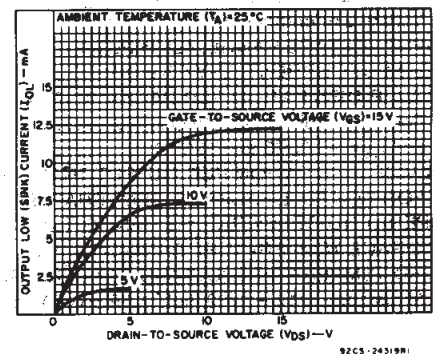


Fig. 5 - Minimum output low (sink) current characteristics.

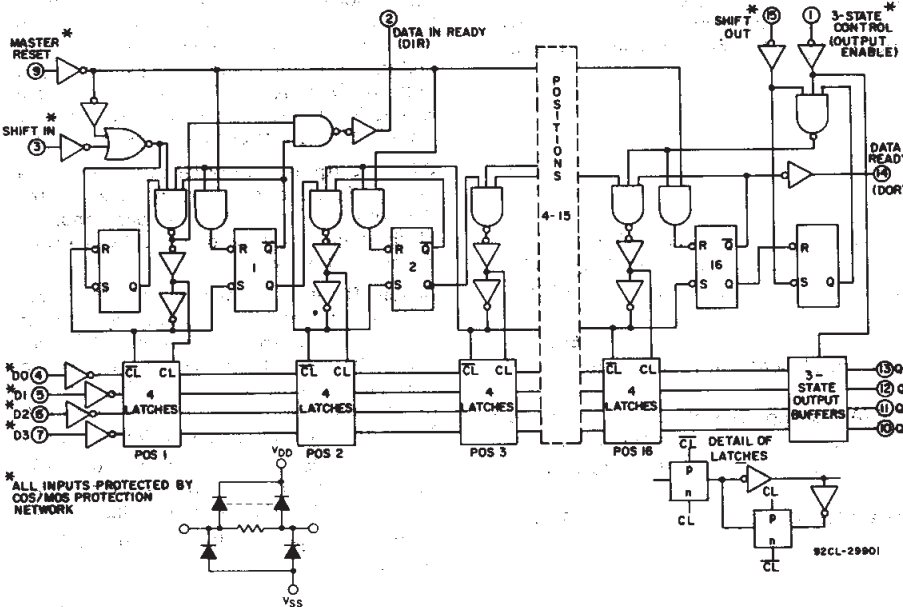


Fig. 1 - Logic diagram for the CD40105B.

CD40105B Types

STATIC ELECTRICAL CHARACTERISTICS

| CHARACTERISTIC | CONDITIONS | | | LIMITS AT INDICATED TEMPERATURES (°C) | | | | | | | UNITS |
|--|--------------------|---------------------|---------------------|---------------------------------------|-------|-------|-------|-------|-------------------|------|-------|
| | V _O (V) | V _{IN} (V) | V _{DD} (V) | -55 | -40 | +85 | +125 | +25 | | | |
| | | | | | | | | Min. | Typ. | Max. | |
| Quiescent Device Current, I _{DD} Max. | — | 0,5 | 5 | 5 | 5 | 150 | 150 | — | 0.04 | 5 | μA |
| | — | 0,10 | 10 | 10 | 10 | 300 | 300 | — | 0.04 | 10 | |
| | — | 0,15 | 15 | 20 | 20 | 600 | 600 | — | 0.04 | 20 | |
| | — | 0,20 | 20 | 100 | 100 | 3000 | 3000 | — | 0.08 | 100 | |
| Output Low (Sink) Current I _{OL} Min. | 0.4 | 0,5 | 5 | 0.64 | 0.61 | 0.42 | 0.36 | 0.51 | 1 | — | mA |
| | 0.5 | 0,10 | 10 | 1.6 | 1.5 | 1.1 | 0.9 | 1.3 | 2.6 | — | |
| | 1.5 | 0,15 | 15 | 4.2 | 4 | 2.8 | 2.4 | 3.4 | 6.8 | — | |
| Output High (Source) Current, I _{OH} Min. | 4.6 | 0,5 | 5 | -0.64 | -0.61 | -0.42 | -0.36 | -0.51 | -1 | — | mA |
| | 2.5 | 0,5 | 5 | -2 | -1.8 | -1.3 | -1.15 | -1.6 | -3.2 | — | |
| | 9.5 | 0,10 | 10 | -1.6 | -1.5 | -1.1 | -0.9 | -1.3 | -2.6 | — | |
| | 13.5 | 0,15 | 15 | -4.2 | -4 | -2.8 | -2.4 | -3.4 | -6.8 | — | |
| Output Voltage: Low-Level, V _{OL} Max. | — | 0,5 | 5 | 0.05 | | | | — | 0 | 0.05 | V |
| | — | 0,10 | 10 | 0.05 | | | | — | 0 | 0.05 | |
| | — | 0,15 | 15 | 0.05 | | | | — | 0 | 0.05 | |
| Output Voltage: High-Level, V _{OH} Min. | — | 0,5 | 5 | 4.95 | | | | 4.95 | 5 | — | V |
| | — | 0,10 | 10 | 9.95 | | | | 9.95 | 10 | — | |
| | — | 0,15 | 15 | 14.95 | | | | 14.95 | 15 | — | |
| Input Low Voltage V _{IL} Max. | 0.5, 4.5 | — | 5 | 1.5 | | | | — | — | 1.5 | V |
| | 1,9 | — | 10 | 3 | | | | — | — | 3 | |
| | 1.5, 13.5 | — | 15 | 4 | | | | — | — | 4 | |
| Input High Voltage, V _{IH} Min. | 0.5, 4.5 | — | 5 | 3.5 | | | | 3.5 | — | — | V |
| | 1,9 | — | 10 | 7 | | | | 7 | — | — | |
| | 1.5, 13.5 | — | 15 | 11 | | | | 11 | — | — | |
| Input Current I _{IN} Max. | — | 0,18 | 18 | ±0.1 | ±0.1 | ±1 | ±1 | — | ±10 ⁻⁵ | ±0.1 | μA |
| 3-State Output Leakage Current I _{OUT} Max. | 0,18 | 0,18 | 18 | ±0.4 | ±0.4 | ±12 | ±12 | — | ±10 ⁻⁴ | ±0.4 | μA |

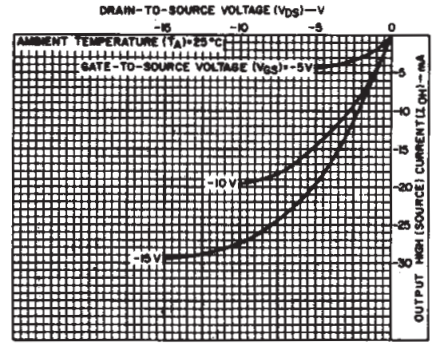


Fig. 6 - Typical output high (source) current characteristics.

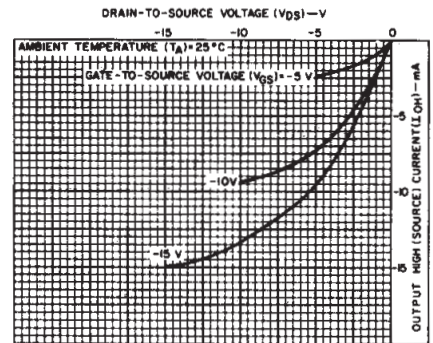


Fig. 7 - Minimum output high (source) current characteristics.

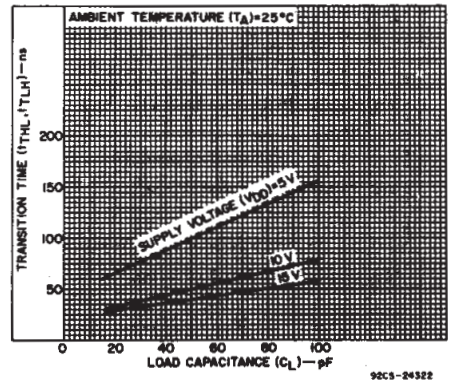


Fig. 8 - Typical transition time as a function of load capacitance.

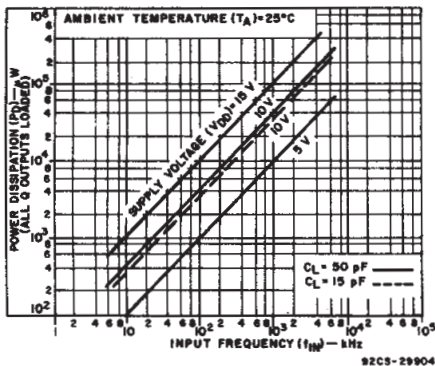


Fig. 9 - Typical dynamic power dissipation as a function of frequency.

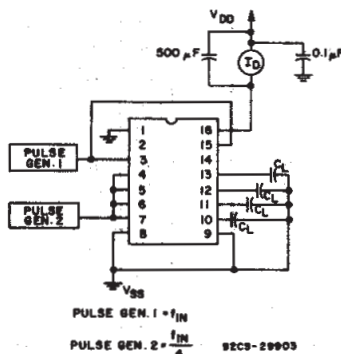


Fig. 10 - Dynamic power dissipation test circuit.

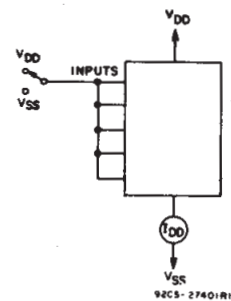


Fig. 11 - Quiescent device-current test circuit.

CD40105B Types

DYNAMIC ELECTRICAL CHARACTERISTICS at $T_A = 25^\circ\text{C}$:
 Input $t_r, t_f = 20 \text{ ns}$, $C_L = 50 \text{ pF}$, $R_L = 200 \text{ k}\Omega$

| CHARACTERISTIC | TEST CONDITIONS | LIMITS | | | UNITS | |
|---|-----------------|--------------|------|------|-------|---------------|
| | | V_{DD} (V) | Min. | Typ. | | Max. |
| Propagation Delay Time: Shift-Out or Reset to Data-Out Ready, t_{PHL} | | 5 | — | 185 | 370 | ns |
| | | 10 | — | 90 | 180 | |
| | | 15 | — | 65 | 130 | |
| Shift-In to Data-In Ready, t_{PHL} | | 5 | — | 160 | 320 | ns |
| | | 10 | — | 65 | 130 | |
| | | 15 | — | 45 | 90 | |
| Shift-Out to Q_n Out, t_{PHL}, t_{PLH} | | 5 | — | 210 | 420 | ns |
| | | 10 | — | 100 | 205 | |
| | | 15 | — | 70 | 150 | |
| 3-State Control to Data Out Note 1 t_{PZH}, t_{PZL} | | 5 | — | 140 | 280 | ns |
| | | 10 | — | 60 | 120 | |
| | | 15 | — | 40 | 80 | |
| t_{PHZ}, t_{PLZ} | | 5 | — | 100 | 200 | ns |
| | | 10 | — | 50 | 100 | |
| | | 15 | — | 40 | 80 | |
| Ripple-Through Delay Input to Output, t_{PLH} | | 5 | — | 2 | 4 | μs |
| | | 10 | — | 1 | 2 | |
| | | 15 | — | 0.7 | 1.4 | |
| Transition Time, t_{THL}, t_{TLH} | | 5 | — | 100 | 200 | ns |
| | | 10 | — | 50 | 100 | |
| | | 15 | — | 40 | 80 | |
| Maximum Shift-In or Shift-Out Rate, f_I | | 5 | 1.5 | 3 | — | MHz |
| | | 10 | 3 | 6 | — | |
| | | 15 | 4 | 8 | — | |
| Minimum Shift-In Pulse Width, (Pin 3) t_W | | 5 | — | 100 | 200 | ns |
| | | 10 | — | 40 | 80 | |
| | | 15 | — | 30 | 60 | |
| Minimum Shift-Out Pulse Width, (Pin 15) t_{WL} | | 5 | — | 90 | 180 | ns |
| | | 10 | — | 35 | 75 | |
| | | 15 | — | 25 | 55 | |
| Maximum Shift-In or Shift-Out Rise Time, t_r | | 5 | — | — | 15 | μs |
| | | 10 | — | — | 15 | |
| | | 15 | — | — | 15 | |
| Maximum Shift-In Fall Time, t_f | | 5 | — | — | 15 | μs |
| | | 10 | — | — | 15 | |
| | | 15 | — | — | 15 | |
| Maximum Shift-Out Fall Time, t_f | | 5 | — | — | 15 | μs |
| | | 10 | — | — | 5 | |
| | | 15 | — | — | 5 | |
| Minimum Data Setup Time, t_{SU} | | 5 | — | — | 0 | ns |
| | | 10 | — | — | 0 | |
| | | 15 | — | — | 0 | |
| Minimum Data Hold Time, t_H | | 5 | — | 175 | 350 | ns |
| | | 10 | — | 75 | 150 | |
| | | 15 | — | 60 | 120 | |
| Data-In Ready Pulse Width, t_{WL} (Pin 2) | | 5 | — | 260 | 520 | ns |
| | | 10 | — | 100 | 200 | |
| | | 15 | — | 70 | 140 | |
| Data-Out Ready Pulse Width, t_{WL} (Pin 14) | | 5 | — | 220 | 440 | ns |
| | | 10 | — | 90 | 180 | |
| | | 15 | — | 65 | 130 | |
| Minimum Master Reset Pulse Width, t_{WH} | | 5 | — | 100 | 200 | ns |
| | | 10 | — | 45 | 90 | |
| | | 15 | — | 30 | 60 | |
| Input Capacitance C_{IN} | (Any Input) | — | — | 5 | 7.5 | pF |

Note 1: The Output Enable Line (Pin 1) should be low for limits specified.

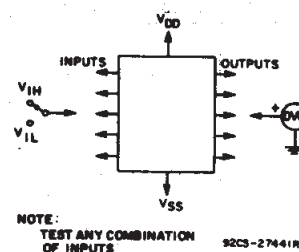


Fig. 12 — Input-voltage test circuit.

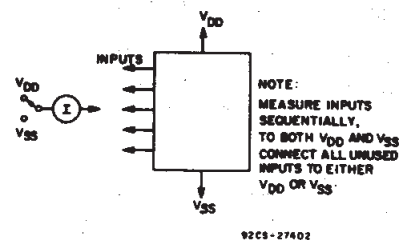
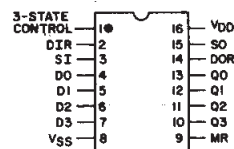


Fig. 13 — Input current test circuit.



92CS-27266R1

TERMINAL ASSIGNMENT

CD40105B Types

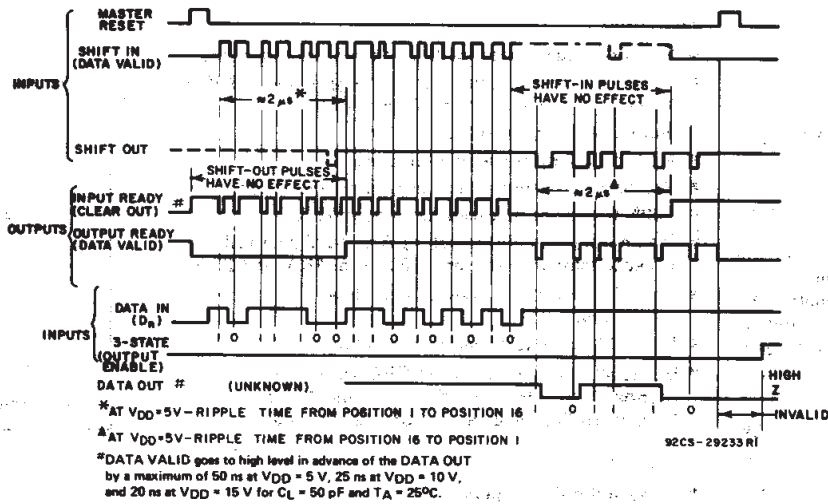


Fig. 14 - Timing diagram for the CD40105B.

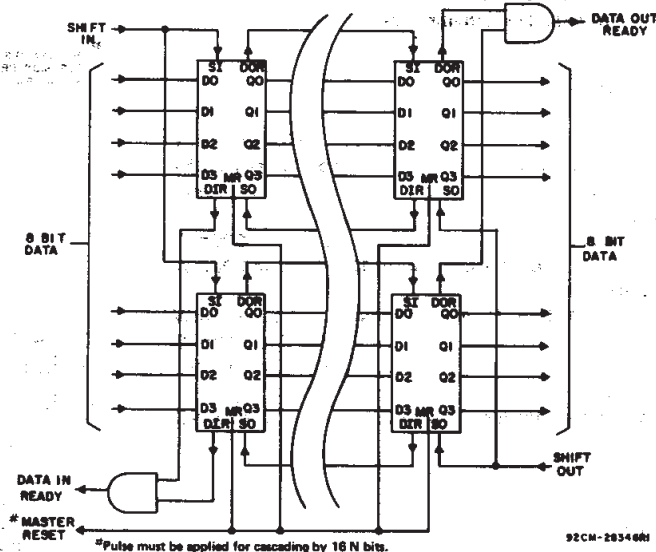
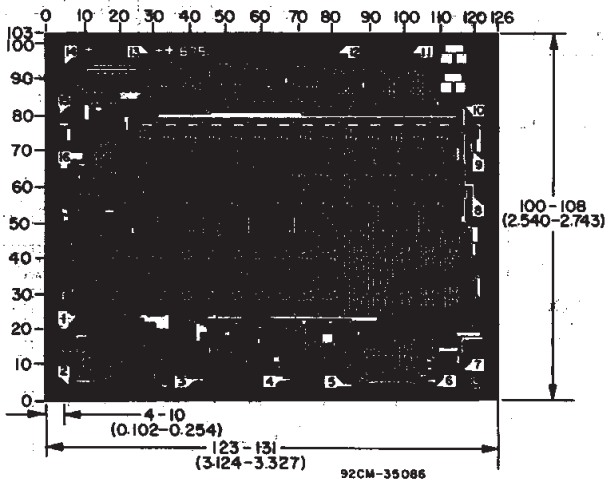


Fig. 15 - Expansion, 8-bits-wide-by-16 N-bits long using CD40105.



Dimension and pad layout for CD40105B.

Dimensions in parentheses are in millimeters and are derived from the basic inch dimensions as indicated. Grid graduations are in mils (10^{-3} inch).

3
COMMERCIAL CMOS
HIGH VOLTAGE ICs

PACKAGING INFORMATION

| Orderable Device | Status ⁽¹⁾ | Package Type | Package Drawing | Pins | Package Qty | Eco Plan ⁽²⁾ | Lead/Ball Finish | MSL Peak Temp ⁽³⁾ |
|------------------|-----------------------|--------------|-----------------|------|-------------|-------------------------|------------------|------------------------------|
| CD40105BE | ACTIVE | PDIP | N | 16 | 25 | Pb-Free (RoHS) | CU NIPD | Level-NC-NC-NC |
| CD40105BF | ACTIVE | CDIP | J | 16 | 1 | None | Call TI | Level-NC-NC-NC |
| CD40105BF3A | ACTIVE | CDIP | J | 16 | 1 | None | Call TI | Level-NC-NC-NC |

⁽¹⁾ The marketing status values are defined as follows:

ACTIVE: Product device recommended for new designs.

LIFEBUY: TI has announced that the device will be discontinued, and a lifetime-buy period is in effect.

NRND: Not recommended for new designs. Device is in production to support existing customers, but TI does not recommend using this part in a new design.

PREVIEW: Device has been announced but is not in production. Samples may or may not be available.

OBSELETE: TI has discontinued the production of the device.

⁽²⁾ Eco Plan - May not be currently available - please check <http://www.ti.com/productcontent> for the latest availability information and additional product content details.

None: Not yet available Lead (Pb-Free).

Pb-Free (RoHS): TI's terms "Lead-Free" or "Pb-Free" mean semiconductor products that are compatible with the current RoHS requirements for all 6 substances, including the requirement that lead not exceed 0.1% by weight in homogeneous materials. Where designed to be soldered at high temperatures, TI Pb-Free products are suitable for use in specified lead-free processes.

Green (RoHS & no Sb/Br): TI defines "Green" to mean "Pb-Free" and in addition, uses package materials that do not contain halogens, including bromine (Br) or antimony (Sb) above 0.1% of total product weight.

⁽³⁾ MSL, Peak Temp. -- The Moisture Sensitivity Level rating according to the JEDEC industry standard classifications, and peak solder temperature.

Important Information and Disclaimer:The information provided on this page represents TI's knowledge and belief as of the date that it is provided. TI bases its knowledge and belief on information provided by third parties, and makes no representation or warranty as to the accuracy of such information. Efforts are underway to better integrate information from third parties. TI has taken and continues to take reasonable steps to provide representative and accurate information but may not have conducted destructive testing or chemical analysis on incoming materials and chemicals. TI and TI suppliers consider certain information to be proprietary, and thus CAS numbers and other limited information may not be available for release.

In no event shall TI's liability arising out of such information exceed the total purchase price of the TI part(s) at issue in this document sold by TI to Customer on an annual basis.

J (R-GDIP-T**)

14 LEADS SHOWN

CERAMIC DUAL IN-LINE PACKAGE



| DIM \ PINS ** | 14 | 16 | 18 | 20 |
|---------------|------------------------|------------------------|------------------------|------------------------|
| A | 0.300 (7,62) BSC | 0.300 (7,62) BSC | 0.300 (7,62) BSC | 0.300 (7,62) BSC |
| B MAX | 0.785 (19,94) | .840 (21,34) | 0.960 (24,38) | 1.060 (26,92) |
| B MIN | — | — | — | — |
| C MAX | 0.300 (7,62) | 0.300 (7,62) | 0.310 (7,87) | 0.300 (7,62) |
| C MIN | 0.245 (6,22) | 0.245 (6,22) | 0.220 (5,59) | 0.245 (6,22) |



4040083/F 03/03

- NOTES:
- All linear dimensions are in inches (millimeters).
 - This drawing is subject to change without notice.
 - This package is hermetically sealed with a ceramic lid using glass frit.
 - Index point is provided on cap for terminal identification only on press ceramic glass frit seal only.
 - Falls within MIL STD 1835 GDIP1-T14, GDIP1-T16, GDIP1-T18 and GDIP1-T20.

N (R-PDIP-T**)

PLASTIC DUAL-IN-LINE PACKAGE

16 PINS SHOWN



- NOTES:
- A. All linear dimensions are in inches (millimeters).
 - B. This drawing is subject to change without notice.
 - Falls within JEDEC MS-001, except 18 and 20 pin minimum body length (Dim A).
 - The 20 pin end lead shoulder width is a vendor option, either half or full width.

IMPORTANT NOTICE

Texas Instruments Incorporated and its subsidiaries (TI) reserve the right to make corrections, modifications, enhancements, improvements, and other changes to its products and services at any time and to discontinue any product or service without notice. Customers should obtain the latest relevant information before placing orders and should verify that such information is current and complete. All products are sold subject to TI's terms and conditions of sale supplied at the time of order acknowledgment.

TI warrants performance of its hardware products to the specifications applicable at the time of sale in accordance with TI's standard warranty. Testing and other quality control techniques are used to the extent TI deems necessary to support this warranty. Except where mandated by government requirements, testing of all parameters of each product is not necessarily performed.

TI assumes no liability for applications assistance or customer product design. Customers are responsible for their products and applications using TI components. To minimize the risks associated with customer products and applications, customers should provide adequate design and operating safeguards.

TI does not warrant or represent that any license, either express or implied, is granted under any TI patent right, copyright, mask work right, or other TI intellectual property right relating to any combination, machine, or process in which TI products or services are used. Information published by TI regarding third-party products or services does not constitute a license from TI to use such products or services or a warranty or endorsement thereof. Use of such information may require a license from a third party under the patents or other intellectual property of the third party, or a license from TI under the patents or other intellectual property of TI.

Reproduction of information in TI data books or data sheets is permissible only if reproduction is without alteration and is accompanied by all associated warranties, conditions, limitations, and notices. Reproduction of this information with alteration is an unfair and deceptive business practice. TI is not responsible or liable for such altered documentation.

Resale of TI products or services with statements different from or beyond the parameters stated by TI for that product or service voids all express and any implied warranties for the associated TI product or service and is an unfair and deceptive business practice. TI is not responsible or liable for any such statements.

Following are URLs where you can obtain information on other Texas Instruments products and application solutions:

| Products | | Applications | |
|------------------|--|---------------------|--|
| Amplifiers | amplifier.ti.com | Audio | www.ti.com/audio |
| Data Converters | dataconverter.ti.com | Automotive | www.ti.com/automotive |
| DSP | dsp.ti.com | Broadband | www.ti.com/broadband |
| Interface | interface.ti.com | Digital Control | www.ti.com/digitalcontrol |
| Logic | logic.ti.com | Military | www.ti.com/military |
| Power Mgmt | power.ti.com | Optical Networking | www.ti.com/opticalnetwork |
| Microcontrollers | microcontroller.ti.com | Security | www.ti.com/security |
| | | Telephony | www.ti.com/telephony |
| | | Video & Imaging | www.ti.com/video |
| | | Wireless | www.ti.com/wireless |

Mailing Address: Texas Instruments
Post Office Box 655303 Dallas, Texas 75265