

DATA SHEET

For a complete data sheet, please also download:

- The IC04 LOCMOS HE4000B Logic Family Specifications HEF, HEC
- The IC04 LOCMOS HE4000B Logic Package Outlines/Information HEF, HEC

HEF4069UB

gates

Hex inverter

Product specification
File under Integrated Circuits, IC04

January 1995

Hex inverter

HEF4069UB gates

DESCRIPTION

The HEF4069UB is a general purpose hex inverter. Each of the six inverters is a single stage.

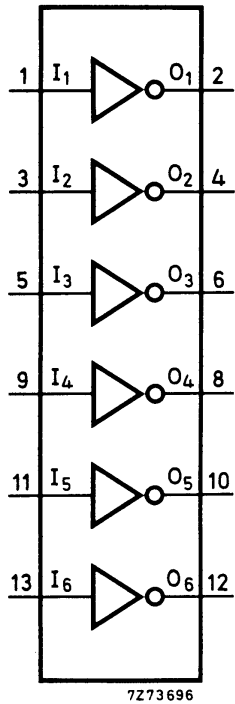


Fig.1 Functional diagram.

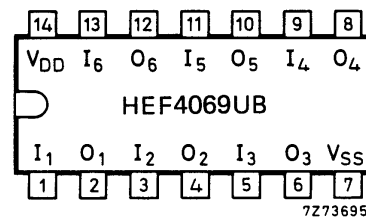


Fig.2 Pinning diagram.

- HEF4069UBP(N): 14-lead DIL; plastic (SOT27-1)
- HEF4069UBD(F): 14-lead DIL; ceramic (cerdip) (SOT73)
- HEF4069UBT(D): 14-lead SO; plastic (SOT108-1)
- (): Package Designator North America

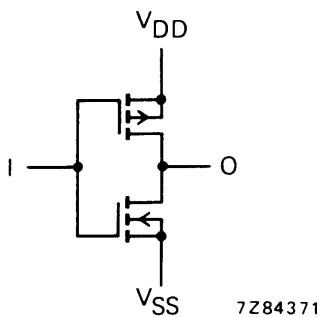


Fig.3 Schematic diagram (one inverter).

FAMILY DATA, I_{DD} LIMITS category GATES

See Family Specifications for V_{IH}/V_{IL} unbuffered stages

Hex inverter

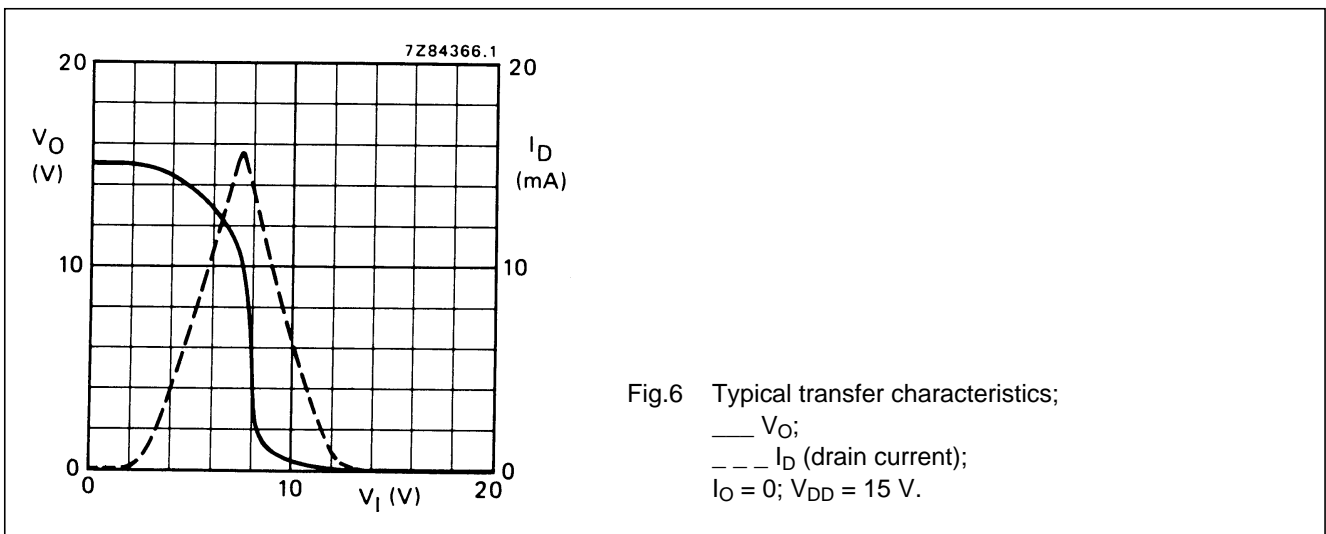
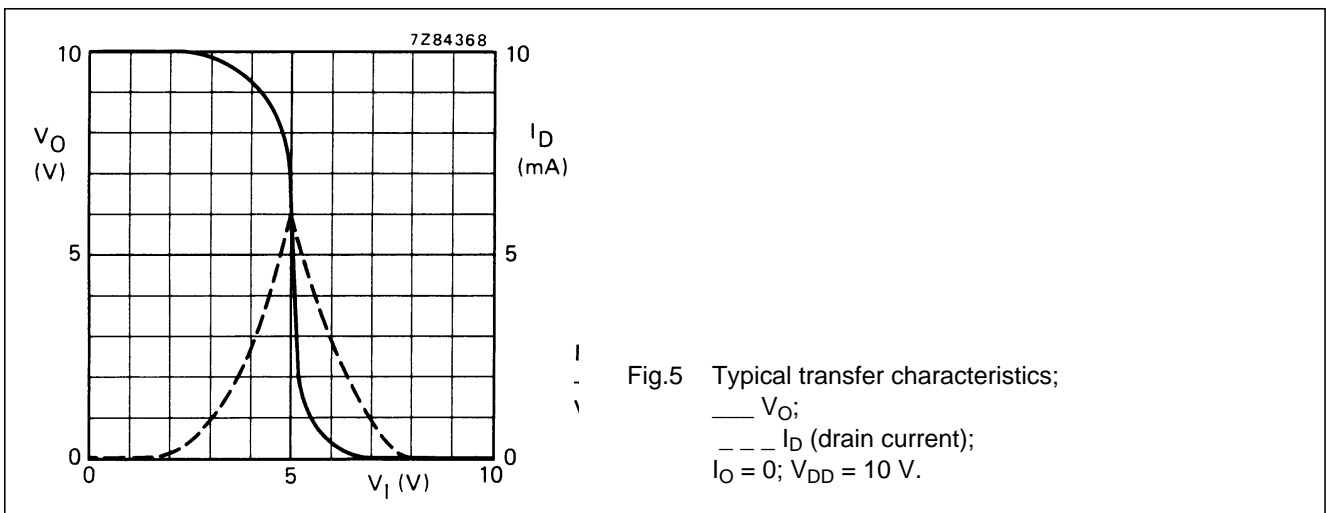
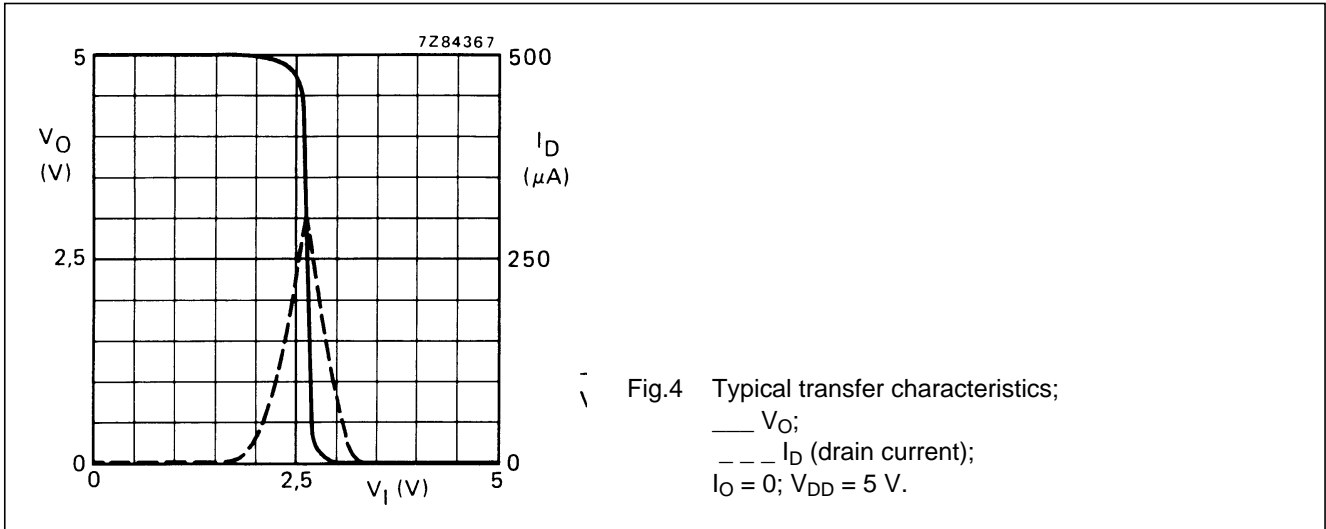
HEF4069UB
gates**AC CHARACTERISTICS** $V_{SS} = 0\text{ V}$; $T_{amb} = 25\text{ °C}$; $C_L = 50\text{ pF}$; input transition times $\leq 20\text{ ns}$

	V_{DD} V	SYMBOL	TYP.	MAX.	TYPICAL EXTRAPOLATION FORMULA
Propagation delays $I_n \rightarrow O_n$ HIGH to LOW LOW to HIGH	5	t_{PHL}	45	90 ns	$18\text{ ns} + (0,55\text{ ns/pF}) C_L$
	10		20	40 ns	$9\text{ ns} + (0,23\text{ ns/pF}) C_L$
	15		15	25 ns	$7\text{ ns} + (0,16\text{ ns/pF}) C_L$
	5	t_{PLH}	40	80 ns	$13\text{ ns} + (0,55\text{ ns/pF}) C_L$
	10		20	40 ns	$9\text{ ns} + (0,23\text{ ns/pF}) C_L$
	15		15	30 ns	$7\text{ ns} + (0,16\text{ ns/pF}) C_L$
Output transition times HIGH to LOW LOW to HIGH	5	t_{THL}	60	120 ns	$10\text{ ns} + (1,0\text{ ns/pF}) C_L$
	10		30	60 ns	$9\text{ ns} + (0,42\text{ ns/pF}) C_L$
	15		20	40 ns	$6\text{ ns} + (0,28\text{ ns/pF}) C_L$
	5	t_{TLH}	60	120 ns	$10\text{ ns} + (1,0\text{ ns/pF}) C_L$
	10		30	60 ns	$9\text{ ns} + (0,42\text{ ns/pF}) C_L$
	15		20	40 ns	$6\text{ ns} + (0,28\text{ ns/pF}) C_L$

	V_{DD} V	TYPICAL FORMULA FOR P (μW)	
Dynamic power dissipation per package (P)	5	$600 f_i + \sum (f_o C_L) \times V_{DD}^2$	where f_i = input freq. (MHz) f_o = output freq. (MHz) C_L = load capacitance (pF) $\sum (f_o C_L)$ = sum of outputs V_{DD} = supply voltage (V)
	10	$4\,000 f_i + \sum (f_o C_L) \times V_{DD}^2$	
	15	$22\,000 f_i + \sum (f_o C_L) \times V_{DD}^2$	

Hex inverter

HEF4069UB
gates



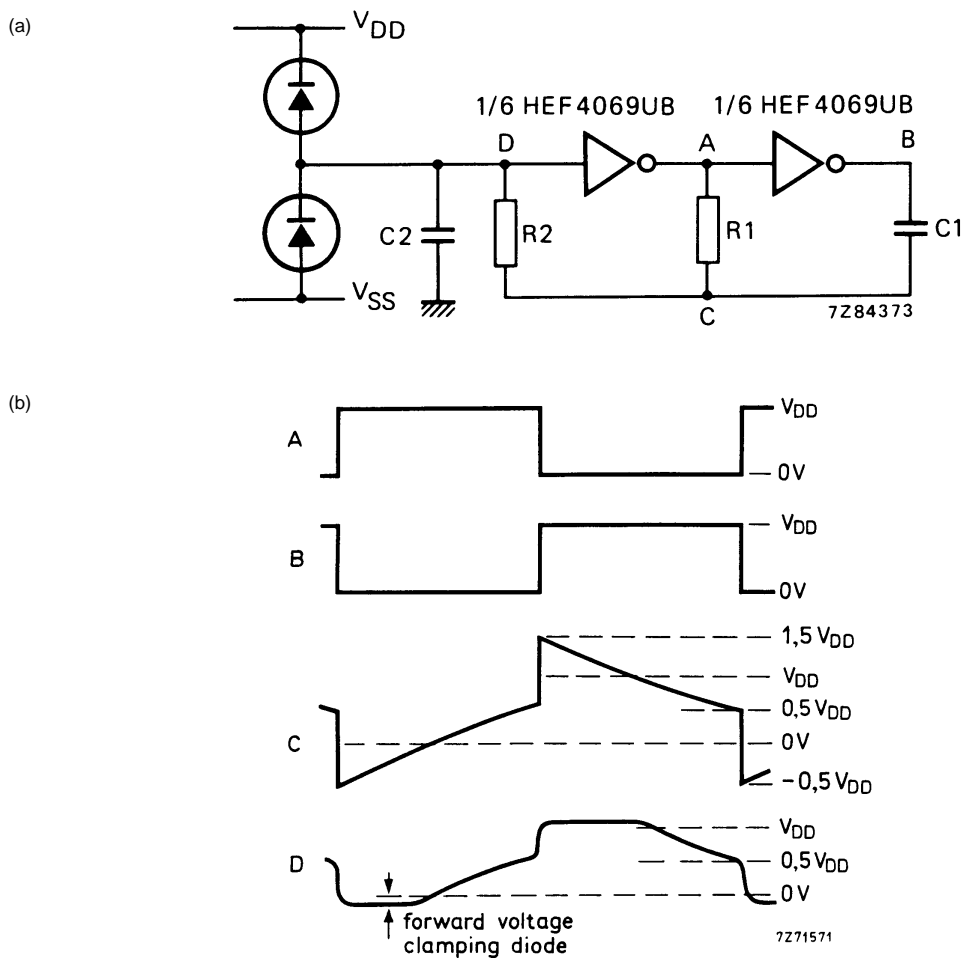
Hex inverter

HEF4069UB
gates

APPLICATION INFORMATION

Some examples of applications for the HEF4069UB are shown below.

In Fig.7 an astable relaxation oscillator is given. The oscillation frequency is mainly determined by R1C1, provided $R1 \ll R2$ and $R2C2 \ll R1C1$.



The function of R2 is to minimize the influence of the forward voltage across the protection diodes on the frequency; C2 is a stray (parasitic) capacitance. The period T_p is given by $T_p = T_1 + T_2$, in which

$$T_1 = R1C1 \ln \frac{V_{DD} + V_{ST}}{V_{ST}} \text{ and } T_2 = R1C1 \ln \frac{2V_{DD} - V_{ST}}{V_{DD} - V_{ST}} \text{ where}$$

V_{ST} is the signal threshold level of the inverter. The period is fairly independent of V_{DD} , V_{ST} and temperature. The duty factor, however, is influenced by V_{ST} .

Fig.7 (a) Astable relaxation oscillator using two HEF4069UB inverters; the diodes may be BAW62; C2 is a parasitic capacitance. (b) Waveforms at the points marked A, B, C and D in the circuit diagram.

Hex inverter

HEF4069UB
gates

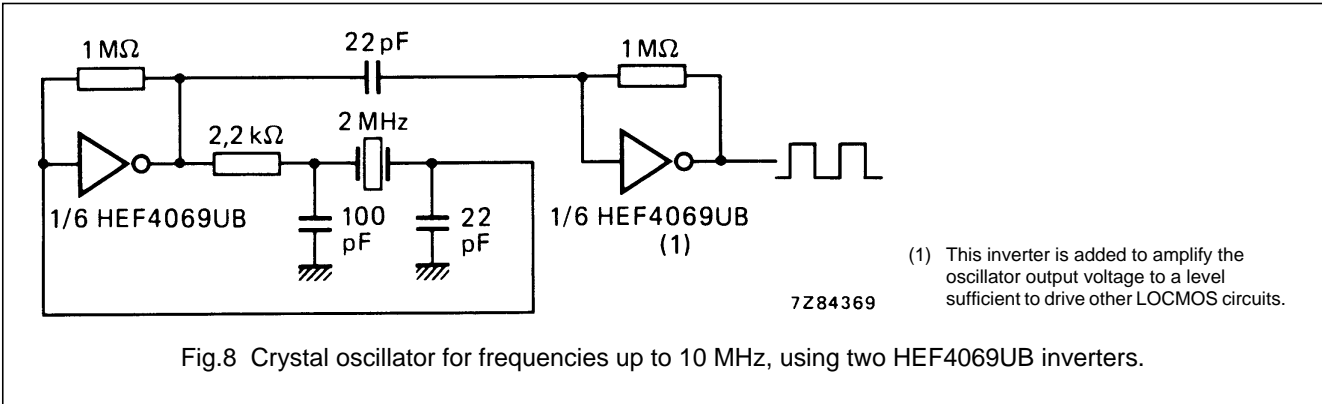
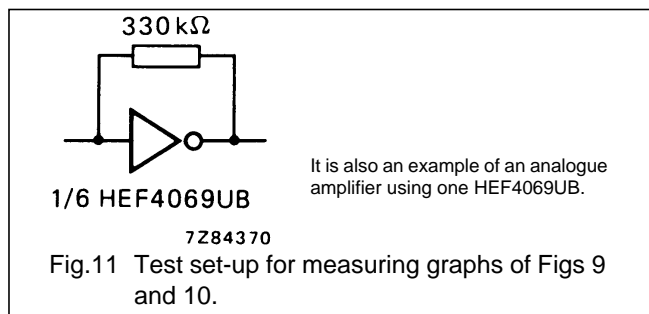
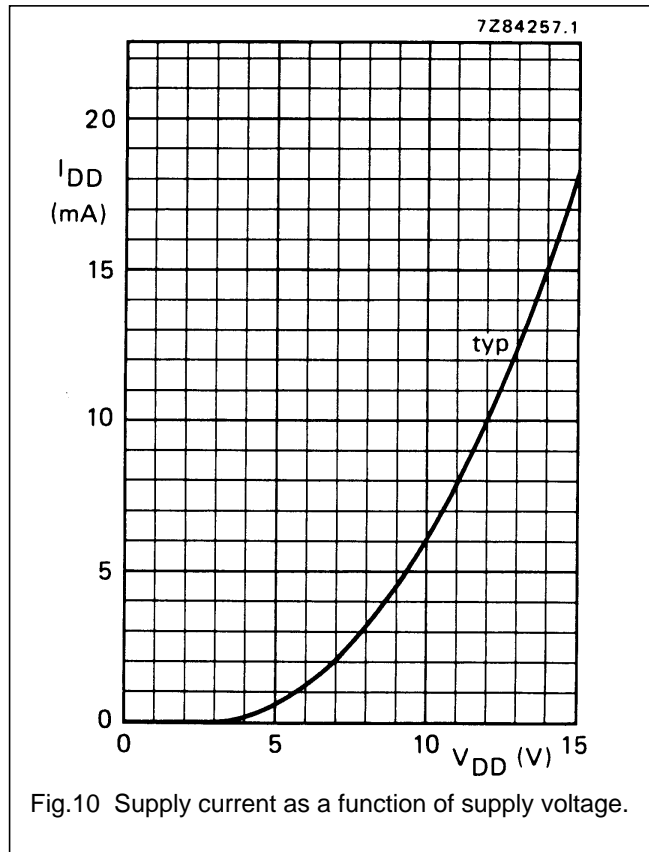
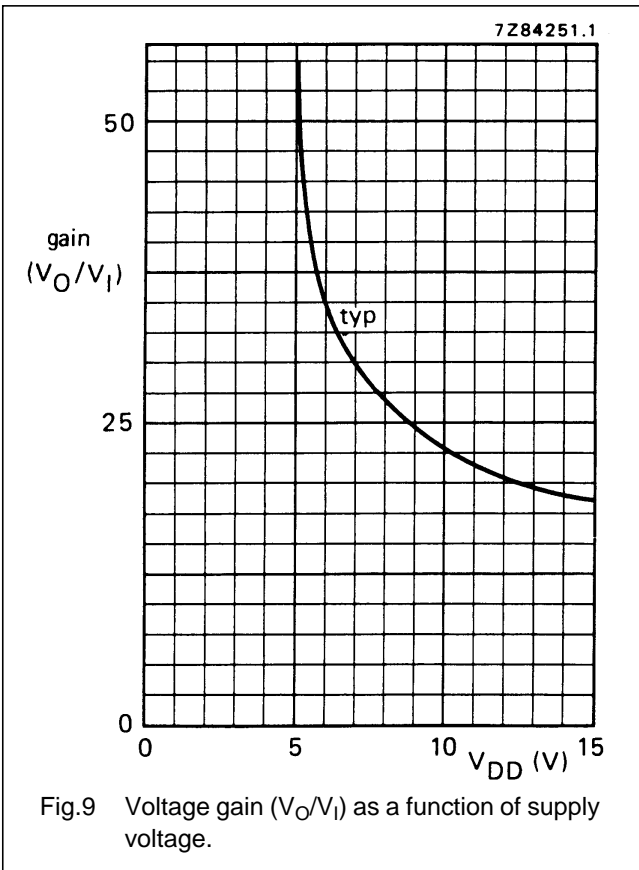


Fig.8 Crystal oscillator for frequencies up to 10 MHz, using two HEF4069UB inverters.



Hex inverter

HEF4069UB
gates

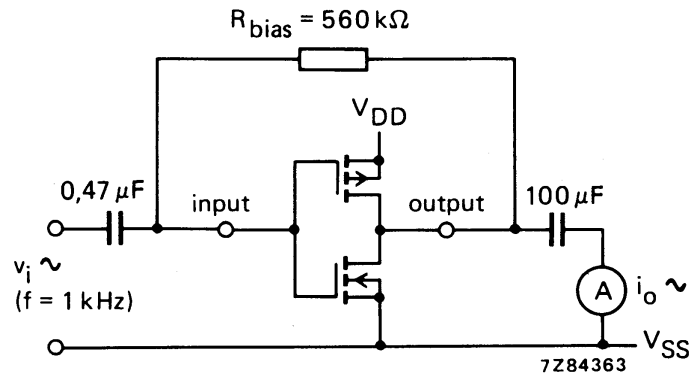


Fig.12 Test set-up for measuring forward transconductance $g_{fs} = di_o/dv_i$ at v_o is constant (see also graph Fig.13).

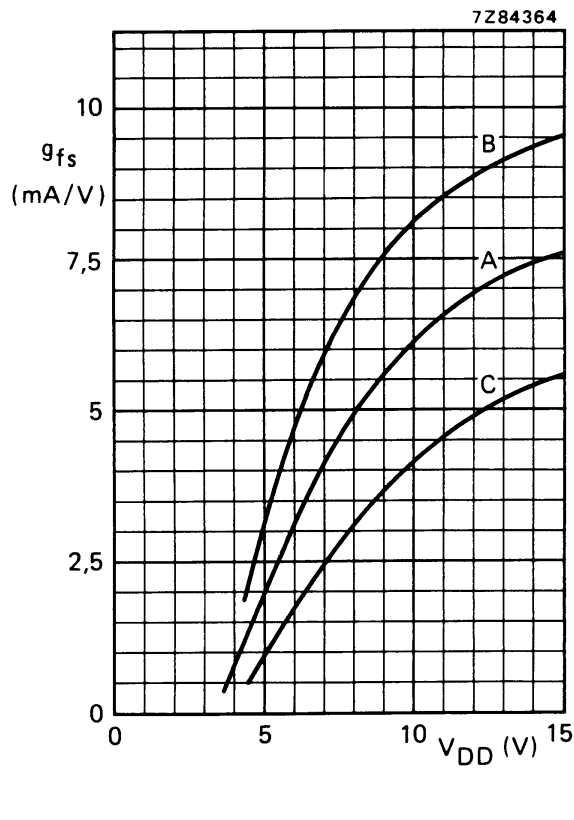


Fig.13 Typical forward transconductance g_{fs} as a function of the supply voltage at $T_{amb} = 25\text{ }^{\circ}\text{C}$.