

TMS28F002Axy, TMS28F200Axy
262144 BY 8-BIT/131072 BY 16-BIT
AUTO-SELECT BOOT-BLOCK FLASH MEMORIES

SMJS826D – JANUARY 1996 – REVISED SEPTEMBER 1997

- Organization . . . 262144 by 8 bits
131072 by 16 bits
- Array-Blocking Architecture
 - One 16K-Byte Protected Boot Block
 - Two 8K-Byte Parameter Blocks
 - One 96K-Byte Main Block
 - One 128K-Byte Main Block
 - Top or Bottom Boot Locations
- '28F200Axy Offers a User-Defined 8-Bit (Byte) or 16-Bit (Word) Organization
- '28F002Axy Offers Only the 8-Bit (Byte) Organization
- Maximum Access/Minimum Cycle Time
 - Commercial and Extended
 - 5-V $V_{CC} \pm 10\%$ or 3.3-V $V_{CC} \pm 0.3 V$
 - $\begin{matrix} 5 V & 3.3 V \\ 60 ns & 110 ns \\ 70 ns & 130 ns \\ 80 ns & 150 ns \end{matrix}$
 - '28F002Axy/200Axy60
 - '28F002Axy/200Axy70
 - '28F002Axy/200Axy80
 - Automotive
 - $5-V V_{CC} \pm 10\%$
 - '28F200Axy70 70 ns
 - '28F200Axy80 80 ns
 - '28F200Axy90 90 ns
- (x = S, E, F, Z, or M Depending on V_{CC}/V_{PP} Voltage Configuration)
- (y = T for Top or B for Bottom Boot-Block Configuration)
- 100000- and 10000-Program/Erase-Cycle Versions
- Three Temperature Ranges
 - Commercial . . . 0°C to 70°C
 - Extended . . . – 40°C to 85°C
 - Automotive . . . – 40°C to 125°C
- Industry Standard Packages Offered in
 - 40-pin Thin Small-Outline Package (TSOP)
 - 44-pin Plastic Small-Outline Package (PSOP)
 - 48-pin TSOP
- Low Power Dissipation ($V_{CC} = 5.5 V$)
 - Active Read . . . 330 mW (Byte-Read)
 - Active Write . . . 248 mW (Byte-Write)
 - Active Read . . . 330 mW (Word-Read)
 - Active Write . . . 248 mW (Word-Write)
 - Block-Erase . . . 165 mW
 - Standby . . . 0.72 mW (CMOS-Input Levels)

DBJ PACKAGE
(TOP VIEW)

$\overline{V_{PP}}$	1	44	\overline{RP}
DU/ \overline{WP}	2	43	\overline{W}
NC	3	42	A8
A7	4	41	A9
A6	5	40	A10
A5	6	39	A11
A4	7	38	A12
A3	8	37	A13
A2	9	36	A14
A1	10	35	A15
A0	11	34	A16
\overline{E}	12	33	BYTE
V_{SS}	13	32	V_{SS}
\overline{G}	14	31	DQ15/A ₋₁
DQ0	15	30	DQ7
DQ8	16	29	DQ14
DQ1	17	28	DQ6
DQ9	18	27	DQ13
DQ2	19	26	DQ5
DQ10	20	25	DQ12
DQ3	21	24	DQ4
DQ11	22	23	V_{CC}

PIN NOMENCLATURE

A0–A16	Address Inputs
A17	Address Input (40-Pin Package Only)
BYTE	Byte-Enable
DQ0–DQ14	Data In/Out
DQ15/A ₋₁	Data In/Out (Word-Wide Mode), Low-Order Address (Byte-Wide Mode)
\overline{E}	Chip-Enable
\overline{G}	Output-Enable
NC	No Internal Connection
\overline{RP}	Reset/Deep Power-Down
V_{CC}	Power Supply
V_{PP}	Power Supply for Program/Erase
V_{SS}	Ground
\overline{W}	Write-Enable
DU/ \overline{WP}	Do Not Use for AMy or AZy/Write-Protect

- Fully Automated On-Chip Erase and Word/Byte Program Operations
- Write-Protection for Boot Block
- Industry Standard Command-State Machine (CSM)
 - Erase Suspend/Resume
 - Algorithm-Selection Identifier
- Five Different Combinations of Supply Voltages Offered
- All Inputs/Outputs TTL-Compatible



Please be aware that an important notice concerning availability, standard warranty, and use in critical applications of Texas Instruments semiconductor products and disclaimers thereto appears at the end of this data sheet.

PRODUCTION DATA information is current as of publication date. Products conform to specifications per the terms of Texas Instruments standard warranty. Production processing does not necessarily include testing of all parameters.



Copyright © 1997, Texas Instruments Incorporated

TMS28F002Axy, TMS28F200Axy
262144 BY 8-BIT/131072 BY 16-BIT
AUTO-SELECT BOOT-BLOCK FLASH MEMORIES

SMJS826D – JANUARY 1996 – REVISED SEPTEMBER 1997

40-PIN DCD PACKAGE
(TOP VIEW)



48-PIN DCD PACKAGE
(TOP VIEW)



Table of Contents	
description	3
device symbol nomenclature	5
functional block diagram	6
architecture	6
block-memory maps	6
boot-block data protection	7
parameter block	8
main block	8
data protection	8
command-state machine (CSM)	8
operation	8
command definition	9
status register	10
byte-wide or word-wide mode selection	11
command-state-machine operations	13
clear status register	13
read operations	13
programming operations	14
erase operations	14
automatic power-saving mode	15
reset/deep power-down mode	15
power supply detection	15
common electrical parameter	20
absolute maximum ratings	20
capacitance	21
TMS28F002ASy and TMS28F200ASy	22
TMS28F002AEy and TMS28F200AEy	32
TMS28F002AMy and TMS28F200AMy	42
TMS28F002AFy and TMS28F200AFy	50
TMS28F002AZy and TMS28F200AZy	60
Parameter Measurement Information	70
mechanical data	NO TAG

description

The TMS28F200Axy is a 262 144 by 8-bit /131 072 by-16 bit (2097 152-bit), boot-block flash memory that can be electrically block-erased and reprogrammed. The TMS28F200Axy is organized in a blocked architecture consisting of:

- One 16K-byte protected boot block
- Two 8K-byte parameter blocks
- One 96K-byte main block
- One 128K-byte main block

The device can be ordered in five different voltage configurations (see Table 1). Operation as a 256K-byte (8-bit) or a 128K-word (16-bit) organization is user-definable.

The TMS28F002Axy is offered in a 256K-byte organization only. The operation for this device is the same as the TMS28F200Axy and is offered in the same voltage configurations. TMS28F002Axy can be substituted for the byte-wide TMS28F200Axy, with the latter being the generic name for this device family.

Embedded program and block-erase functions are fully automated by the on-chip write-state machine (WSM), thereby simplifying these operations and relieving the system microcontroller of these secondary tasks. WSM status can be monitored by an on-chip status register to determine the progress of program/erase tasks. The device features user-selectable block-erasure.

The configurations are as follow:

- The TMS28F002ASy and the TMS28F200ASy configurations have the auto-select feature that allows alternative read and program/erase voltages. Memory reads can be performed using 3.3-V V_{CC} for optimum power consumption or at 5-V V_{CC} , for device performance. Erasing or programming the device can be accomplished with 5-V V_{PP} , which eliminates having to use a 12-V source and/or in-system voltage converters. Alternatively, 12-V V_{PP} operation exists for systems that already have a 12-V power supply, which provides faster programming and erasing times. These configurations are offered in two different temperature ranges: 0°C to 70°C and – 40°C to 85°C.
- The TMS28F002AEy and the TMS28F200AEy configurations offer the auto-select feature of the TMS28F200ASy with an extended V_{CC} to a low 2.7-V to 3.6-V range (3-V nominal). Memory reads can be performed using a 3-V V_{CC} , allowing for more efficient power consumption than the 'ASy device.

TMS28F002Axy, TMS28F200Axy 262144 BY 8-BIT/131072 BY 16-BIT AUTO-SELECT BOOT-BLOCK FLASH MEMORIES

SMJS826D – JANUARY 1996 – REVISED SEPTEMBER 1997

- The TMS28F002AMy and TMS28F200AMy configurations offer a 3-V or 5-V memory read with a 12-V program and erase. These configurations are intended for low 3.3-V reads and the fast programming offered with the 12-V V_{PP} and 5-V V_{CC} . These configurations are offered in two different temperature ranges: 0°C to 70°C and – 40°C to 85°C.
- The TMS28F002AFy and TMS28F200AFy configurations offer a 5-V memory read with a 5-V or 12-V program and erase. These configurations are intended for systems using a single 5-V power supply. The configurations are offered in three temperature ranges: 0°C to 70°C, – 40°C to 85°C, and – 40°C to 125°C.
- The TMS28F002AZy and TMS28F200AZy configurations offer a 5-V memory read with a 12-V program and a 12-V erase for fast programming and erasing times. These configurations are offered in three temperature ranges: 0°C to 70°C, – 40°C to 85°C, and – 40°C to 125°C.

All configurations of the TMS28F200Axy are offered in the 44-pin plastic small-outline package (PSOP) and the 48-pin thin small-outline package (TSOP). The TMS28F002Axy is offered in a 40-pin TSOP only. Both the 40-pin and 48-pin TSOP are offered for the 0°C to 70°C and – 40°C to 85°C temperature ranges only.



TMS28F002Axy, TMS28F200Axy
262144 BY 8-BIT/131072 BY 16-BIT
AUTO-SELECT BOOT-BLOCK FLASH MEMORIES

SMJS826D – JANUARY 1996 – REVISED SEPTEMBER 1997

device symbol nomenclature

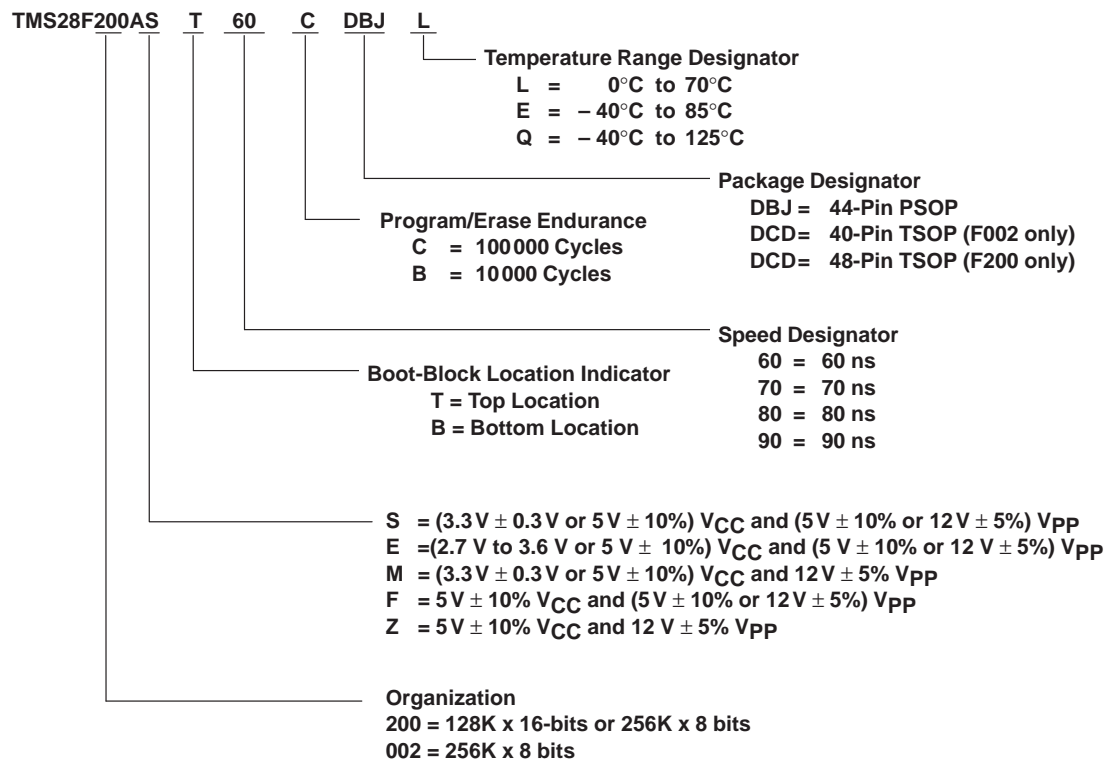


Table 1. V_{CC}-/V_{PP}-Voltage Configurations†

DEVICE CONFIGURATION	READ VOLTAGE (V _{CC})	PROGRAM/ERASE VOLTAGE (V _{PP})	OPERATING FREE-AIR TEMPERATURE (T _A)	ACCESS SPEEDS 5 V (3.3 V) V _{CC}
TMS28F200ASy	3.3 V ± 0.3 V or 5 V ± 10 %	5 V ± 10% or 12 V ± 5 %	0°C to 70°C	60(110), 70(130), 80(150) ns
			-40°C to 85°C	60(110), 70(130), 80(150) ns
TMS28F200AEy	2.7 V to 3.6 V or 5 V ± 10 %	5 V ± 10% or 12 V ± 5 %	0°C to 70°C	60(110), 70(130), 80(150) ns
			-40°C to 85°C	60(110), 70(130), 80(150) ns
TMS28F200AMy	3.3 V ± 0.3 V or 5 V ± 10 %	12 V ± 5 %	0°C to 70°C	60(110), 70(130), 80(150) ns
			-40°C to 85°C	60(110), 70(130), 80(150) ns
TMS28F200AFy	5 V ± 10 %	5 V ± 10% or 12 V ± 5 %	0°C to 70°C	60, 70, 80 ns
			-40°C to 85°C	60, 70, 80 ns
			-40°C to 125°C‡	70, 80, 90 ns
TMS28F200AZy	5 V ± 10 %	12 V ± 5 %	0°C to 70°C	60, 70, 80 ns
			-40°C to 85°C	60, 70, 80 ns
			-40°C to 125°C‡	70, 80, 90 ns

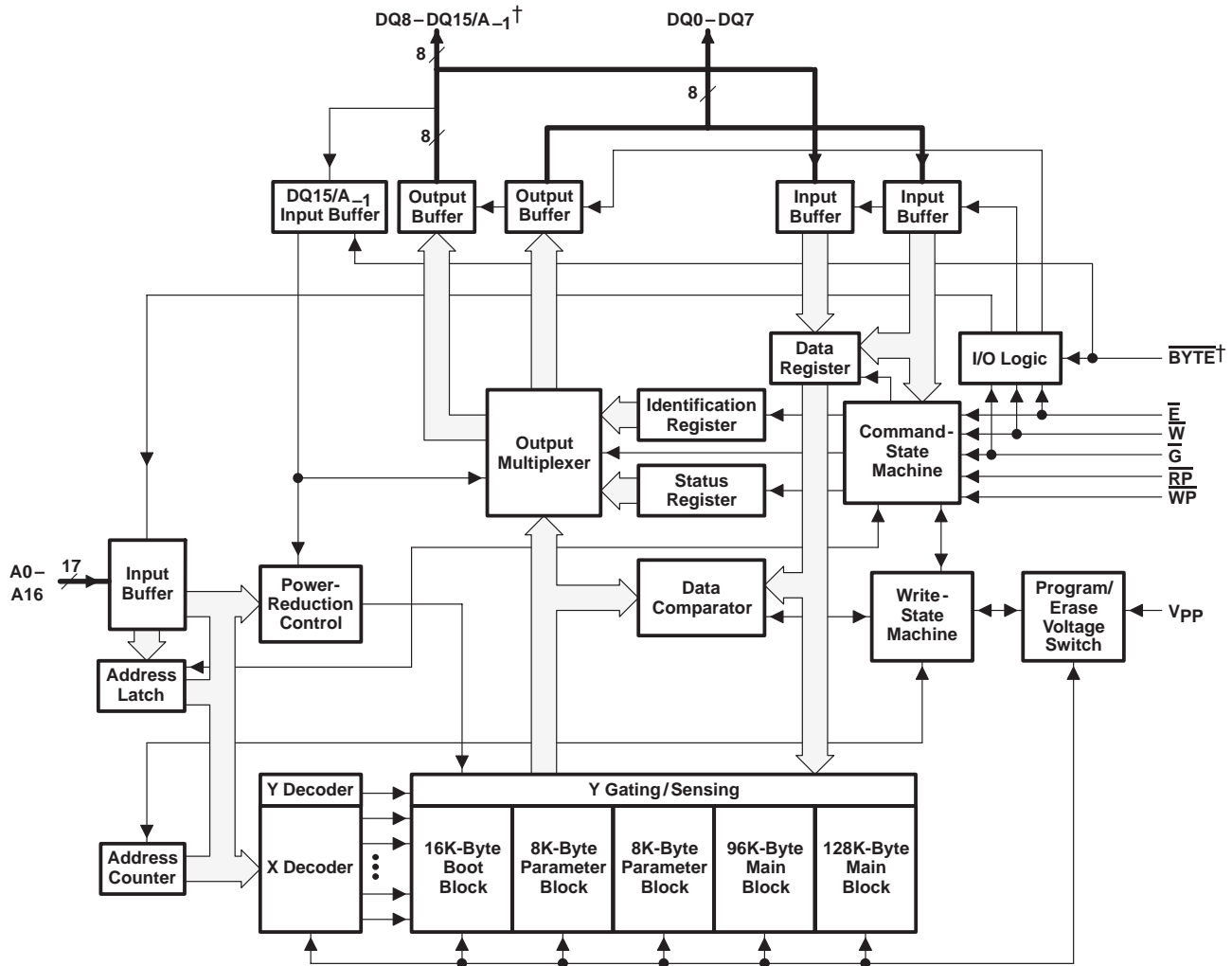
† All configurations are available in the TMS28F002Axy (8-bit only) and top or bottom boot.

‡ Only the 44-pin PSOP is offered in the -40°C to 125°C temperature range.



TMS28F002Axy, TMS28F200Axy
262144 BY 8-BIT/131072 BY 16-BIT
AUTO-SELECT BOOT-BLOCK FLASH MEMORIES
 SMJS826D – JANUARY 1996 – REVISED SEPTEMBER 1997

functional block diagram



† Not used on 'F002 model

architecture

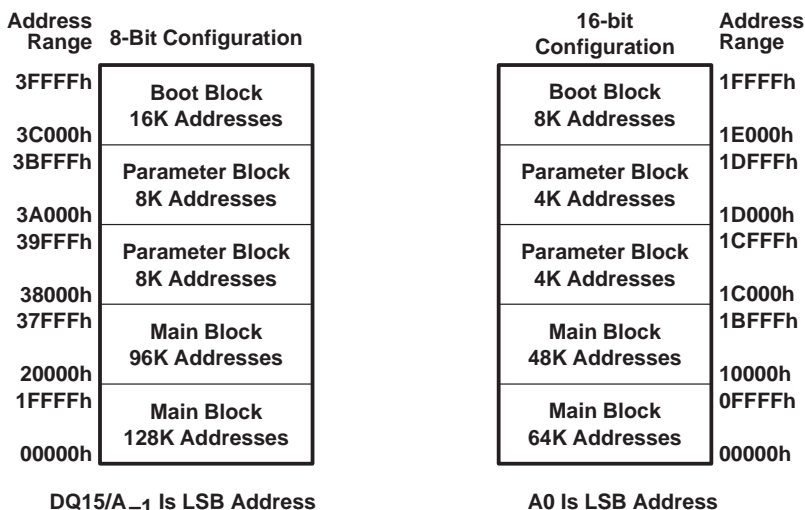
The TMS28F200Axy uses a blocked architecture to allow independent erasure of selected memory blocks. The block to be erased is selected by using any valid address within that block.

block-memory maps

The TMS28F200Axy is available with the block architecture mapped in either of two configurations: the boot block located at the top or at the bottom of the memory array, as required by different microprocessors. The TMS28F200AxB (bottom boot block) is mapped with the 16K-byte boot block located at the low-order address range (00000h to 01FFFh). The TMS28F200AxT (top boot block) is inverted with respect to the TMS28F200AxB with the boot block located at the high-order address range (1E000h to 1FFFFh). Both of these address ranges are for word-wide mode. The TMS28F002Axy is mapped as the 8-bit configuration of the TMS28F200Axy, except that the least significant bit (LSB) is A0 instead of A_{n-1}. Figure 1 and Figure 2 show the memory maps for these configurations.

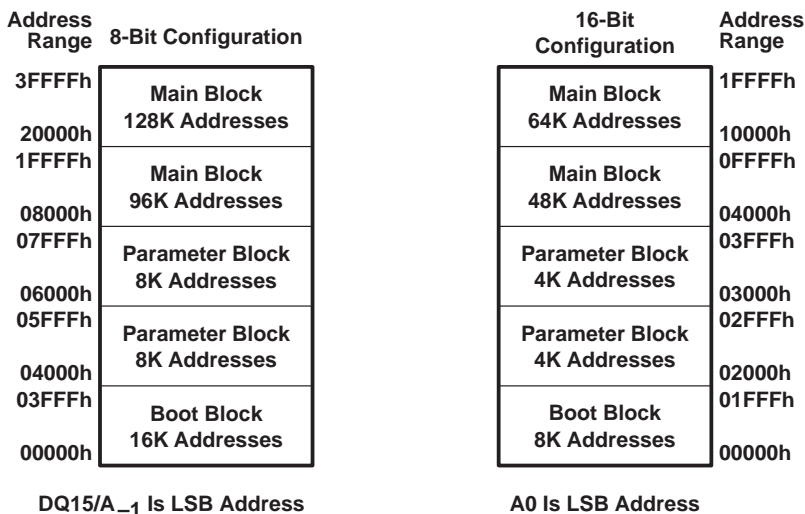


block memory maps (continued)



NOTE A: The TMS28F002AxT is mapped the same way as the 8-bit configuration of the TMS28F200AxT and the LSB is A0.

Figure 1. TMS28F200AxT (Top Boot Block) Memory Map (See Note A)



NOTE A: The TMS28F002AxB is mapped the same way as the 8-bit configuration of the TMS28F200AxB and the LSB is A0.

Figure 2. TMS28F200AxB (Bottom-Boot Block) Memory Map (See Note A)

boot-block data protection

The 16K-byte boot block can be used to store key system data that is seldom changed in normal operation. Data in this block can be secured by using different combinations of the reset/deep power-down pin (RP), the write-protect pin (WP), and V_{PP} supply levels. Table 2 shows a listing of these combinations.

TMS28F002Axy, TMS28F200Axy 262144 BY 8-BIT/131072 BY 16-BIT AUTO-SELECT BOOT-BLOCK FLASH MEMORIES

SMJS826D – JANUARY 1996 – REVISED SEPTEMBER 1997

parameter block

Two parameter blocks of 8K bytes each can be used like a scratch pad to store frequently updated data. Alternatively, the parameter blocks can be used for additional boot-block or main-block data. If a parameter block is used to store additional boot-block data, caution must be exercised because the parameter block does not have the boot-block data-protection safety feature.

main block

Primary memory on the TMS28F200Axy is located in two main blocks. One of the blocks has storage capacity for 128K bytes and the other block has storage capacity for 96K bytes.

data protection

Data is secured or unsecured by using different combinations of the reset/deep power-down pin (\overline{RP}), the write-protect pin (\overline{WP}), and V_{PP} supply levels. Table 2 shows a listing of these combinations.

There are two configurations to secure the entire memory against the inadvertent alteration of data. The V_{PP} supply pin can be held below the V_{PP} lock-out voltage level (V_{PPLK}) or the reset/deep power-down pin (\overline{RP}) can be pulled to a logic-low level. If \overline{RP} is held low, the device resets—which means that it powers down, and therefore, cannot be read. Typically this pin is tied to the system reset for additional protection during system power up.

The boot-block sector has an additional security feature through the \overline{WP} pin on the 'ASy, 'AEy, and 'AFy devices. When the \overline{RP} pin is at a logic-high level, the \overline{WP} pin controls whether the boot-block sector is protected. When \overline{WP} is held at the logic-low level, the boot block is protected. When \overline{WP} is held at the logic-high level, the boot block is unprotected, along with the rest of the other sectors. Alternatively, the entire memory for all voltage configurations can be unprotected by pulling the \overline{RP} pin to V_{HH} (12 V).

Table 2. Data-Protection Combinations

DATA-PROTECTION PROVIDED	'ASy, 'AEy, or 'AFy			'AMy or 'AZy		
	V_{PP}	\overline{RP}	\overline{WP}^\dagger	V_{PP}	\overline{RP}	\overline{WP}^\dagger
All blocks locked	V_{IL}	X	X	V_{IL}	X	X
All blocks locked (reset)	X	V_{IL}	X	X	V_{IL}	X
All blocks unlocked	$> V_{PPLK}$	V_{HH} V_{IH}	X V_{IH}	V_{HH}	V_{HH}	X
Only boot block locked	$> V_{PPLK}$	V_{IH}	V_{IL}	V_{HH}	V_{IH}	X

[†] For TMS28F200AZy and TMS28F200AMy (12-V V_{PP}) products, the \overline{WP} pin is disabled and can be left floating. To unlock blocks, \overline{RP} must be at V_{HH} .

command-state machine (CSM)

Commands are issued to the CSM using standard microprocessor write timings. The CSM acts as an interface between the external microprocessor and the internal write state machine (WSM). The available commands are listed in Table 3 and the descriptions of these commands are listed in Table 4. When a program or erase command is issued to the CSM, the WSM controls the internal sequences and the CSM only responds to status reads. After the WSM completes its task, the write status bit (WSM) (SB7) is set to a logic-high level, allowing the CSM to respond to the full command set again.

operation

Device operations are selected by entering standard JEDEC 8-bit command codes with conventional microprocessor timing into an on-chip CSM through I/O pins DQ0–DQ7. When the device is powered up, internal reset circuitry initializes the chip to a read-array mode of operation. Changing the mode of operation requires that a command code be entered into the CSM. Table 3 lists the CSM codes for all modes of operation.



operation (continued)

The on-chip status register allows the progress of various operations to be monitored. The status register is interrogated by entering a read-status-register command into the CSM (cycle 1) and reading the register data on I/O pins DQ0–DQ7 (cycle 2). Status-register bits SB0 through SB7 correspond to DQ0 through DQ7.

Table 3. Command-State Machine Codes for Device Mode Selection

COMMAND CODE ON DQ0–DQ7†	DEVICE MODE
00h	Invalid/Reserved
10h	Alternate Program Setup
20h	Block-Erase Setup
40h	Program Setup
50h	Clear Status Register
70h	Read Status Register
90h	Algorithm Selection
B0h	Erase-Suspend
D0h	Erase-Resume/Block-Erase Confirm
FFh	Read Array

† DQ0 is the least significant bit. DQ8–DQ15 can be any valid 2-state level.

command definition

Once a specific command code has been entered, the WSM executes an internal algorithm generating the necessary timing signals to program, erase, and verify data. See Table 4 for the CSM command definitions and data for each of the bus cycles.

Following the read-algorithm-selection-code command, two read cycles are required to access the manufacturer-equivalent code and the device-equivalent code. The codes are shown in Table 6, Table 7, and Table 8.

TMS28F002Axy, TMS28F200Axy
262144 BY 8-BIT/131072 BY 16-BIT
AUTO-SELECT BOOT-BLOCK FLASH MEMORIES

SMJS826D – JANUARY 1996 – REVISED SEPTEMBER 1997

command definition (continued)

Table 4. Command Definitions

COMMAND	BUS CYCLES REQUIRED	FIRST BUS CYCLE			SECOND BUS CYCLE		
		OPERATION	ADDRESS	CSM INPUT	OPERATION	ADDRESS	DATA IN/OUT
Read Operations							
Read Array	1	Write	X	FFh	Read	X	Data Out
Read Algorithm-Selection Code	2	Write	X	90h	Read	A0	M/D
Read Status Register	2	Write	X	70h	Read	X	SRB
Clear Status Register	1	Write	X	50h			
Program Mode							
Program Setup/Program (byte/word)	2	Write	PA	40h or 10h	Write	PA	PD
Erase Operations							
Block-Erase Setup/ Block-Erase Confirm	2	Write	BEA	20h	Write	BEA	D0h
Erase-Suspend/ Erase-Resume	2	Write	X	B0h	Write	X	D0h

Legend:

- BEA Block-erase address. Any address selected within a block selects that block for erase.
- M/D Manufacturer-equivalent/ device-equivalent code
- PA Address to be programmed
- PD Data to be programmed at PA
- SRB Status-register data byte that can be found on DQ0–DQ7
- X Don't care

status register

The status register allows determination of whether the state of a program/erase operation is pending or complete. The status register is monitored by writing a read-status command to the CSM and reading the resulting status code on I/O pins DQ0–DQ7. This is valid for operation in either the byte-wide or word-wide mode. When writing to the CSM in word-wide mode, the high-order I/O pins (DQ8–DQ15) can be set to any valid 2-state level. When reading the status bits during a word-wide read operation, the high-order I/Os (DQ8–DQ15) are set to 00h internally, so the user needs to interpret only the low-order I/O pins (D0–DQ7).

After a read-status command has been given, the data appearing on DQ0–DQ7 remains as status register data until a new command is issued to the CSM. To return the device to other modes of operation, a new command must be issued to the CSM.

Register data is updated on the falling edge of \bar{G} or \bar{E} . The latest falling edge of either of these two signals updates the latch within a given read cycle. Latching the data prevents errors from occurring should the register input change during a status-register read. To ensure that the status-register output contains updated status data, \bar{E} or \bar{G} must be toggled for each subsequent status read.

The status register provides the internal state of the WSM to the external microprocessor. During periods when the WSM is active, the status register can be polled to determine the WSM status. Table 5 defines the status-register bits and their functions.



status register (continued)

Table 5. Status-Register Bit Definitions and Functions

STATUS BIT	FUNCTION	DATA	COMMENTS
SB7	Write-state-machine status (WSMS)	1 = Ready 0 = Busy	If SB7 = 0 (busy), the WSM has not completed an erase or programming operation. If SB7 = 1 (ready), other polling operations can be performed. Until this occurs, the other status bits are not valid. If the WSM status bit shows busy (0), the user must toggle \bar{E} or \bar{G} periodically to determine when the WSM has completed an operation (SB7 = 1) since SB7 is not automatically updated at the completion of a WSM task.
SB6	Erase-suspend status (ESS)	1 = Erase suspended 0 = Erase in progress or completed	When an erase-suspend command is issued, the WSM halts execution and sets the ESS bit high (SB6 = 1), indicating that the erase operation has been suspended. The WSM status bit also is set high (SB7 = 1), indicating that the erase-suspend operation has been completed successfully. The ESS bit remains at a logic-high level until an erase-resume command is input to the CSM (code D0h).
SB5	Erase status (ES)	1 = Block-erase error 0 = Block-erase good	SB5 = 0 indicates that a successful block-erasure has occurred. SB5 = 1 indicates that an erase error has occurred. In this case, the WSM has completed the maximum allowed erase pulses determined by the internal algorithm, but this was insufficient to completely erase the device.
SB4	Program status (PS)	1 = Byte/word-program error 0 = Byte/word-program good	SB4 = 0 indicates successful programming has occurred at the addressed block location. SB4 = 1 indicates that the WSM was unable to program the addressed block location correctly.
SB3	V _{PP} status (V _{PPS})	1 = Program abort: V _{PP} range error 0 = V _{PP} good	SB3 provides information on the status of V _{PP} during programming. If V _{PP} is lower than V _{PP_L} after a program or erase command has been issued, SB3 is set to a 1, indicating that the programming operation is aborted. If V _{PP} is between V _{PP_H} and V _{PP_L} , SB3 is not set.
SB2–SB0	Reserved		SB2–SB0 are masked out when reading the status register.

byte-wide or word-wide mode selection

The memory array is divided into two parts: an upper-half that outputs data through I/O pins DQ8–DQ15, and a lower-half that outputs data through DQ0–DQ7. Device operation in either byte-wide or word-wide mode is user-selectable and is determined by the logic state of $\overline{\text{BYTE}}$. When $\overline{\text{BYTE}}$ is at a logic-high level, the device is in the word-wide mode and data is written to or read from I/O pins DQ0–DQ15. When $\overline{\text{BYTE}}$ is at a logic-low level, the device is in the byte-wide mode and data is written to or read from I/O pins DQ0–DQ7. In the byte-wide mode, I/O pins DQ8–DQ14 are placed in the high-impedance state and DQ15/A_{–1} becomes the low-order address pin and selects either the upper- or lower-half of the array. Array data from the upper half (DQ8–DQ15) and the lower half (DQ0–DQ7) are multiplexed to appear on DQ0–DQ7. Table 6, Table 7, and Table 8 summarize operation modes.

TMS28F002Axy, TMS28F200Axy
262144 BY 8-BIT/131072 BY 16-BIT
AUTO-SELECT BOOT-BLOCK FLASH MEMORIES
 SMJS826D – JANUARY 1996 – REVISED SEPTEMBER 1997

byte-wide or word-wide mode selection (continued)

Table 6. Operation Modes for Word-Wide Mode ($\overline{\text{BYTE}} = V_{IH}$) (see Note 1)

MODE	$\overline{\text{WP}}$	$\overline{\text{E}}$	$\overline{\text{G}}$	$\overline{\text{RP}}$	$\overline{\text{W}}$	A9	A0	V _{PP}	DQ0–DQ15
Read	X	V _{IL}	V _{IL}	V _{IH}	V _{IH}	X	X	X	Data out
Algorithm-selection mode	X	V _{IL}	V _{IL}	V _{IH}	V _{IH}	V _{ID}	V _{IL}	X	Manufacturer-equivalent code 0089h
	X	V _{IL}	V _{IL}	V _{IH}	V _{IH}	V _{ID}	V _{IH}	X	Device-equivalent code 2274h (top boot block)
									Device-equivalent code 2275h (bottom boot block)
Output disable	X	V _{IL}	V _{IH}	V _{IH}	V _{IH}	X	X	X	Hi-Z
Standby	X	V _{IH}	X	V _{IH}	X	X	X	X	Hi-Z
Reset/deep power-down	X	X	X	V _{IL}	X	X	X	X	Hi-Z
Write (see Note 2)	V _{IL} or V _{IH}	V _{IL}	V _{IH}	V _{IH} or V _{HH}	V _{IL}	X	X	V _{PP} L or V _{PP} H	Data in

- NOTES: 1. X = don't care
 2. When writing commands to the '28F200Axy, V_{PP} must be in the appropriate V_{PP} voltage range (as shown in the recommended operating conditions table for the product) for block-erase or program commands to be executed. Also, depending on the combination of $\overline{\text{RP}}$ and $\overline{\text{WP}}$, the boot block can be secured and, therefore, is not programmable (see Table 2 for the combinations).

Table 7. Operation Modes for Byte-Wide Mode ($\overline{\text{BYTE}} = V_{IL}$) (see Note 1)

MODE	$\overline{\text{WP}}$	$\overline{\text{E}}$	$\overline{\text{G}}$	$\overline{\text{RP}}$	$\overline{\text{W}}$	A9	A0	V _{PP}	DQ15/A ₋₁	DQ8–DQ14	DQ0–DQ7
Read lower byte	X	V _{IL}	V _{IL}	V _{IH}	V _{IH}	X	X	X	V _{IL}	Hi-Z	Data out
Read upper byte	X	V _{IL}	V _{IL}	V _{IH}	V _{IH}	X	X	X	V _{IH}	Hi-Z	Data out
Algorithm-selection mode	X	V _{IL}	V _{IL}	V _{IH}	V _{IH}	V _{ID}	V _{IL}	X	X	Hi-Z	Manufacturer-equivalent code 89h
	X	V _{IL}	V _{IL}	V _{IH}	V _{IH}	V _{ID}	V _{IH}	X	X	Hi-Z	Device-equivalent code 74h (top boot block)
											Device-equivalent code 75h (bottom boot block)
Output disable	X	V _{IL}	V _{IH}	V _{IH}	V _{IH}	X	X	X	X	Hi-Z	Hi-Z
Standby	X	V _{IH}	X	V _{IH}	X	X	X	X	X	Hi-Z	Hi-Z
Reset/deep power-down	X	X	X	V _{IL}	X	X	X	X	X	Hi-Z	Hi-Z
Write (see Note 2)	V _{IL} or V _{IH}	V _{IL}	V _{IH}	V _{IH} or V _{HH}	V _{IL}	X	X	V _{PP} L or V _{PP} H	X	Hi-Z	Data in

- NOTES: 1. X = don't care
 2. When writing commands to the '28F200Axy, V_{PP} must be in the appropriate V_{PP} voltage range (as shown in the recommended operating conditions table for the product) for block-erase or program commands to be executed. Also, depending on the combination of $\overline{\text{RP}}$ and $\overline{\text{WP}}$, the boot block can be secured and, therefore, is not programmable (see Table 2 for the combinations).



byte-wide or word-wide mode selection (continued)

Table 8. Operation Modes for '28F002Axy (see Note 1)

MODE	\overline{WP}	\overline{E}	\overline{G}	\overline{RP}	\overline{W}	A9	A0	V _{PP}	DQ0–DQ7
Read	X	V _{IL}	V _{IL}	V _{IH}	V _{IH}	X	X	X	Data out
Algorithm-selection mode	X	V _{IL}	V _{IL}	V _{IH}	V _{IH}	V _{ID}	V _{IL}	X	Manufacturer-equivalent code 89h
	X	V _{IL}	V _{IL}	V _{IH}	V _{IH}	V _{ID}	V _{IH}	X	Device-equivalent code 7Ch (top boot block)
									Device-equivalent code 7Dh (bottom boot block)
Output disable	X	V _{IL}	V _{IH}	V _{IH}	V _{IH}	X	X	X	Hi-Z
Standby	X	V _{IH}	X	V _{IH}	X	X	X	X	Hi-Z
Reset/deep power-down	X	X	X	V _{IL}	X	X	X	X	Hi-Z
Write (see Note 3)	V _{IL} or V _{IH}	V _{IL}	V _{IH}	V _{IH} or V _{HH}	V _{IL}	X	X	V _{PPL} or V _{PPH}	Data in

NOTES: 1. X = don't care
3. When writing commands to the '28F002Axy, V_{PP} must be in the appropriate V_{PP} voltage range (as shown in the recommended operating conditions table for the product) for block-erase or program commands to be executed. Also, depending on the combination of \overline{RP} and \overline{WP} , the boot block can be secured and, therefore, is not programmable (see Table 2 for the combinations).

command-state-machine operations

The CSM decodes instructions for read, read algorithm-selection code, read status register, clear status register, program, erase, erase-suspend, and erase-resume. The 8-bit command code is input to the device on DQ0–DQ7 (see Table 3 for CSM codes). During a program or erase cycle, the CSM informs the WSM that a program or erase cycle has been requested. During a program cycle, the WSM controls the program sequences and the CSM responds only to status reads.

During an erase cycle, the CSM responds to status-read and erase-suspend commands. When the WSM has completed its task, the WSM status bit (SB7) is set to a logic-high level and the CSM responds to the full command set. The CSM stays in the current command state until the microprocessor issues another command.

The WSM successfully initiates an erase or program operation only when V_{PP} is within its correct voltage range. For data protection, it is recommended that \overline{RP} be held at a logic-low level during a CPU reset.

clear status register

The internal circuitry can set only the V_{PP} status (SB3), the program status bit (SB4), and the erase status bit (SB5) of the status register. The clear-status-register command (50h) allows the external microprocessor to clear these status bits and synchronize to internal operations. When the status bits are cleared, the device returns to the read-array mode.

read operations

There are three read operations available: read array, read algorithm-selection code, and read status register.

- read array

The array level is read by entering the command code FFh on DQ0–DQ7. Control pins \overline{E} and \overline{G} must be at a logic-low level (V_{IL}) and \overline{W} and \overline{RP} must be at a logic-high level (V_{IH}) to read data from the array. Data is available on DQ0–DQ15 (word-wide mode) or DQ0–DQ7 (byte-wide mode). Any valid address within any of the blocks selects that block and allows data to be read from the block.

TMS28F002Axy, TMS28F200Axy

262144 BY 8-BIT/131072 BY 16-BIT

AUTO-SELECT BOOT-BLOCK FLASH MEMORIES

SMJS826D – JANUARY 1996 – REVISED SEPTEMBER 1997

read operations (continued)

- read algorithm-selection code

Algorithm-selection codes are read by entering command code 90h on DQ0–DQ7. Two bus cycles are required for this operation: the first to enter the command code and a second to read the device-equivalent code. Control pins \overline{E} and \overline{G} must be at a logic-low level (V_{IL}), and \overline{W} and \overline{RP} must be at a logic-high level (V_{IH}). Two identifier bytes are accessed by toggling A0. The manufacturer-equivalent code is obtained on DQ0–DQ7 with A0 at a logic-low level (V_{IL}). The device-equivalent code is obtained when A0 is set to a logic-high level (V_{IH}). Alternatively, the manufacturer- and device-equivalent codes can be read by applying V_{ID} (nominally 12 V) to A9 and selecting the desired code by toggling A0 high or low. All other addresses are “don’t cares” (see Table 4, Table 6, Table 7, and Table 8).

- read status register

The status register is read by entering the command code 70h on DQ0–DQ7. Control pins \overline{E} and \overline{G} must be at a logic-low level (V_{IL}) and \overline{W} and \overline{RP} must be at a logic-high level (V_{IH}). Two bus cycles are required for this operation: one to enter the command code and a second to read the status register. In a given read cycle, status register contents are updated on the falling edge of \overline{E} or \overline{G} , whichever occurs last within the cycle.

programming operations

There are two CSM commands for programming: program setup and alternate program setup (see Table 3). After the desired command code is entered, the WSM takes over and correctly sequences the device to complete the program operation. During this time, the CSM responds only to status reads until the program operation has been completed, after which all commands to the CSM become valid again. Once a program command has been issued, the WSM normally cannot be interrupted until the program algorithm is completed (see Figure 3 and Figure 4).

Taking \overline{RP} to V_{IL} during programming aborts the program operation. During programming, V_{PP} must remain in the appropriate V_{PP} voltage range, as shown in the recommended operating conditions table for the product. Note that different combinations of \overline{RP} , \overline{WP} and V_{PP} pin voltage levels ensure that data in certain blocks are secure, and, therefore, cannot be programmed (see Table 2 for a list of combinations). Only 0s are written and compared during a program operation. If 1s are programmed, the memory cell contents do not change and no error occurs.

A program-setup command can be aborted by writing FFh (in byte-wide mode) or FFFFh (in word-wide mode) during the second cycle. After writing all 1s during the second cycle, the CSM responds only to status reads. When the SB7 is set to a logic-high level, signifying the nonprogram operation is terminated, all commands to the CSM become valid again.

erase operations

There are two erase operations that can be performed by the TMS28F002Axy and TMS28F200Axy devices: block-erase and erase-suspend/erase-resume. An erase operation must be used to initialize all bits in an array block to 1s. After block-erase-confirm is issued, the CSM responds only to status reads or erase-suspend commands until the WSM completes its task.

- block erasure

Block erasure inside the memory array sets all bits within the addressed block to logic 1s. Erasure is accomplished only by blocks; data at single-address locations within the array cannot be erased individually. The block to be erased is selected by using any valid address within that block. Note that different combinations of \overline{RP} , \overline{WP} , and V_{PP} pin voltage levels ensure that data in certain blocks are secure and, therefore, cannot be erased (see Table 2 for a list of combinations). Block erasure is initiated by a command sequence to the CSM: block-erase setup (20h) followed by block-erase confirm (D0h) (see Figure 5). A two-command erase sequence protects against accidental erasure of memory contents.



erase operations (continued)

Erase-setup and erase-confirm commands are latched on the rising edge of \overline{E} or \overline{W} , whichever occurs first. Block addresses are latched during the block-erase-confirm command on the rising edge of \overline{E} or \overline{W} (see Figure 14 and Figure 15). When the block-erase-confirm command is complete, the WSM automatically executes a sequence of events to complete the block erasure. During this sequence, the block is programmed with logic 0s, data is verified, all bits in the block are erased, and finally, verification is performed to ensure that all bits are erased correctly. Monitoring of the erase operation is possible through the status register (see the “read status register” paragraph in the “read operations” subsection).

- erase-suspend/erase-resume

During the execution of an erase operation, the erase-suspend command (B0h) can be entered to direct the WSM to suspend the erase operation. Once the WSM has reached the suspend state, it allows the CSM to respond only to the read-array, read-status-register, and erase-resume commands. During the erase-suspend operation, array data should be read from a block other than the one being erased. To resume the erase operation, an erase-resume command (D0h) must be issued to cause the CSM to clear the suspend state previously set (see Figure 5 and Figure 6).

automatic power-saving mode

Substantial power savings are realized during periods when the array is not being read and the device is in the active mode. During this time, the device switches to the automatic power-saving (APS) mode. When the device switches to this mode, I_{CC} is typically reduced from 40 mA to 1 mA ($I_{OUT} = 0$ mA). The low level of power is maintained until another read operation is initiated. In this mode, the I/O pins retain the data from the last memory address read until a new address is read. This mode is entered automatically if no address or control pins toggle within approximately a 200-ns time-out period. At least one transition on \overline{E} must occur after power up to activate this mode.

reset/deep power-down mode

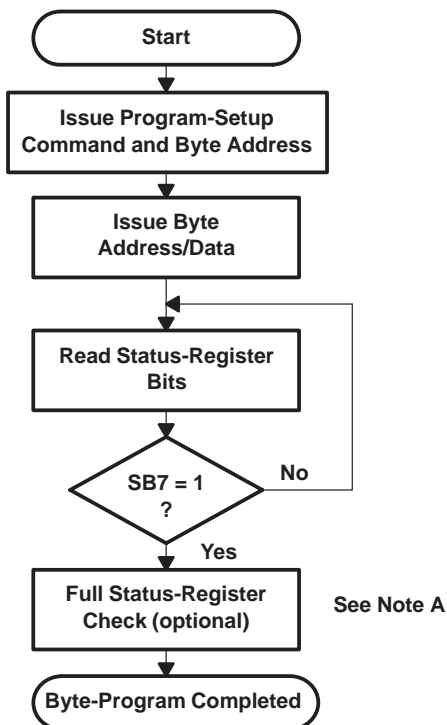
Very low levels of power consumption can be attained by using a special pin, \overline{RP} , to disable internal device circuitry. When \overline{RP} is at a CMOS logic-low level of $0.0\text{ V} \pm 0.2\text{ V}$, a much lower I_{CC} value or power is achievable. This is important in portable applications where extended battery life is of major concern.

A recovery time is required when exiting from deep power-down mode. For a read-array operation, a minimum of $t_{d(RP)}$ is required before data is valid, and a minimum of $t_{rec(RPHE)}$ and $t_{rec(RPHW)}$ in deep power-down mode is required before data input to the CSM can be recognized. With \overline{RP} at ground, the WSM is reset and the status register is cleared, effectively eliminating accidental programming to the array during system reset. After restoration of power, the device does not recognize any operation command until \overline{RP} is returned to a V_{IH} or V_{HH} level.

Should \overline{RP} go low during a program or erase operation, the device powers down and, therefore, becomes nonfunctional. Data being written or erased at that time becomes invalid or indeterminate, requiring that the operation be performed again after power restoration.

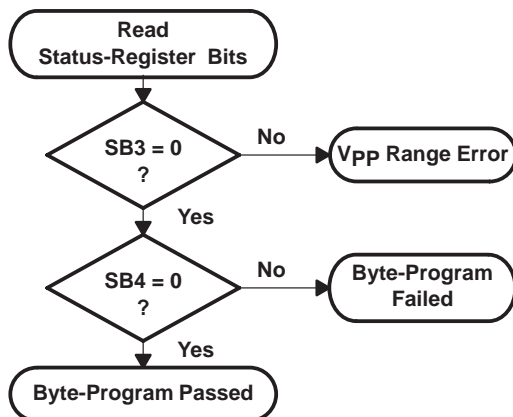
power supply detection

\overline{RP} must be connected to the system reset/power down signal to ensure that proper synchronization is maintained between the CPU and the flash memory operating modes. The default state after power up and exit from deep power-down mode is read array. \overline{RP} also is used to indicate that the power supply is stable so that the operating supply voltage can be established (3 V, 3.3 V, or 5 V). Figure 10 shows the proper power-up sequence. To reset the operating supply voltage, the device must be completely powered off ($V_{CC} = 0$ V) before the new supply voltage is detected.



BUS OPERATION	COMMAND	COMMENTS
<i>Write</i>	Write program setup	Data = 40h or 10h Addr = Address of byte to be programmed
<i>Write</i>	Write data	Data = Byte to be programmed Addr = Address of byte to be programmed
<i>Read</i>		Status-register data. Toggle G or E to update status register
<i>Standby</i>		Check SB7 1 = Ready, 0 = Busy
Repeat for subsequent bytes. Write FFh after the last byte-programming operation to reset the device to read-array mode.		

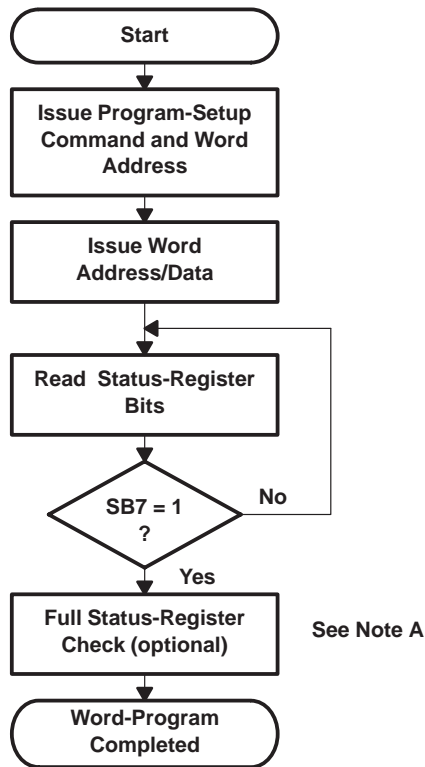
FULL STATUS-REGISTER-CHECK FLOW



BUS OPERATION	COMMAND	COMMENTS
<i>Standby</i>		Check SB3 1 = Detect V _{PP} low (see Note B)
<i>Standby</i>		Check SB4 1 = Byte-program error (see Note C)

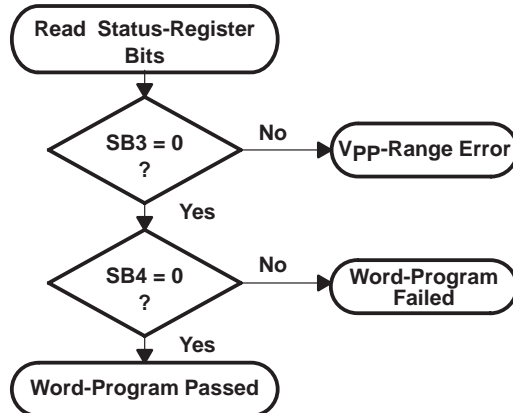
- NOTES: A. Full status-register check can be done after each byte or after a sequence of bytes.
 B. SB3 must be cleared before attempting additional program/erase operations.
 C. SB4 is cleared only by the clear-status-register command, but it does not prevent additional program operation attempts.

Figure 3. Automated Byte-Programming Flow Chart



BUS OPERATION	COMMAND	COMMENTS
<i>Write</i>	Write program setup	Data = 40h or 10h Addr = Address of word to be programmed
<i>Write</i>	Write data	Data = Word to be programmed Addr = Address of word to be programmed
<i>Read</i>		Status-register data. Toggle \bar{G} or \bar{E} to update status register.
<i>Standby</i>		Check SB7 1 = Ready, 0 = Busy
Repeat for subsequent words. Write FFh after the last word-programming operation to reset the device to read-array mode.		

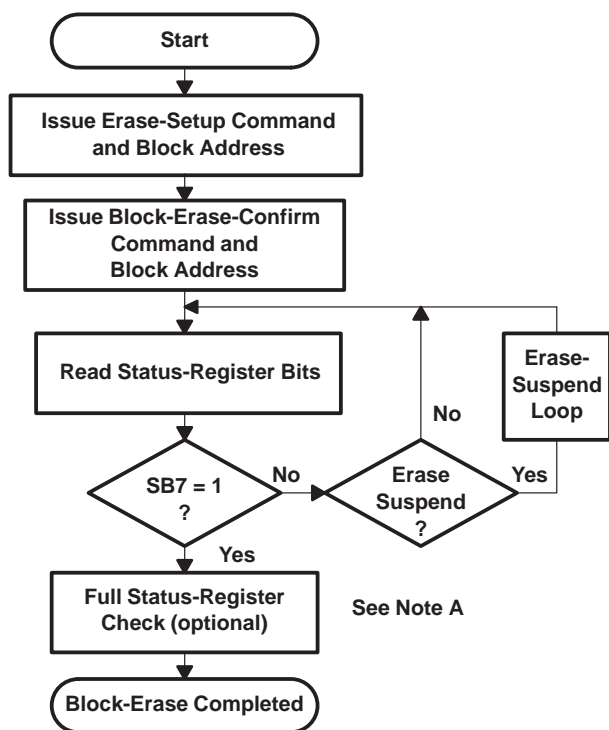
FULL STATUS-REGISTER-CHECK FLOW



BUS OPERATION	COMMAND	COMMENTS
<i>Standby</i>		Check SB3 1 = Detect Vpp low (see Note B)
<i>Standby</i>		Check SB4 1 = Word-program error (see Note C)

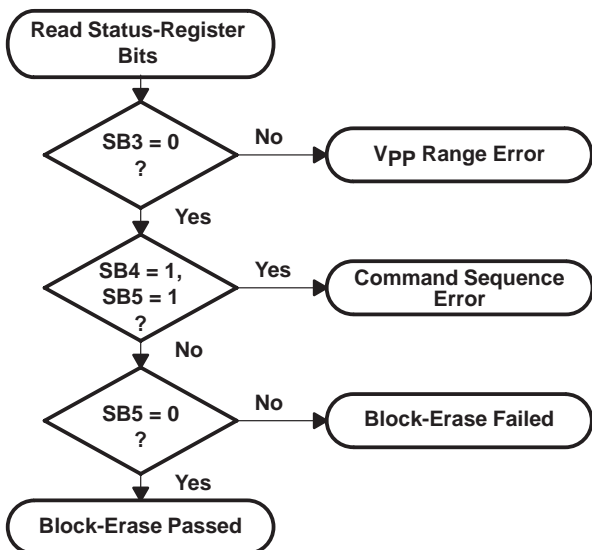
- NOTES: A. Full status-register check can be done after each word or after a sequence of words.
 B. SB3 must be cleared before attempting additional program/erase operations.
 C. SB4 is cleared only by the clear-status-register command, but it does not prevent additional program operation attempts.

Figure 4. Automated Word-Programming Flow Chart



BUS OPERATION	COMMAND	COMMENTS
<i>Write</i>	Write erase setup	Data = 20h Block Addr = Address within block to be erased
<i>Write</i>	Erase	Data = D0h Block Addr = Address within block to be erased
<i>Read</i>		Status-register data. Toggle \bar{G} or \bar{E} to update status register
<i>Standby</i>		Check SB7 1 = Ready, 0 = Busy
Repeat for subsequent blocks. Write FFh after the last block-erase operation to reset the device to read-array mode		

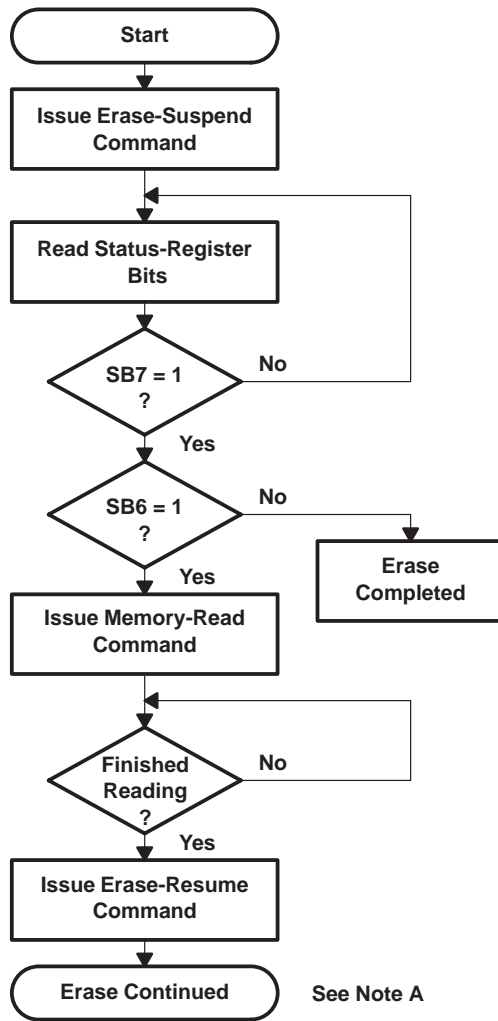
FULL STATUS-REGISTER-CHECK FLOW



BUS OPERATION	COMMAND	COMMENTS
<i>Standby</i>		Check SB3 1 = Detect Vpp low (see Note B)
<i>Standby</i>		Check SB4 and SB5 1 = Block-erase error
<i>Standby</i>		Check SB5 1 = Block-erase error (see Note C)

- NOTES: A. Full status-register check can be done after each block or after a sequence of blocks.
 B. SB3 must be cleared before attempting additional program/erase operations.
 C. SB5 is cleared only by the clear-status-register command in cases where multiple blocks are erased before full status is checked.

Figure 5. Automated Block-Erase Flow Chart



BUS OPERATION	COMMAND	COMMENTS
<i>Write</i>	Erase-suspend	Data = B0h
<i>Read</i>		Status-register data. Toggle \bar{G} or \bar{E} to update status register.
<i>Standby</i>		Check SB7 1 = Ready
<i>Standby</i>		Check SB6 1 = Suspended
<i>Write</i>	Read memory	Data = FFh
<i>Read</i>		Read data from block other than that being erased.
<i>Write</i>	Erase-resume	Data = D0h

NOTE A: See block-erase flow chart for complete erasure procedure.

Figure 6. Erase-Suspend/Eraseresume Flow Chart

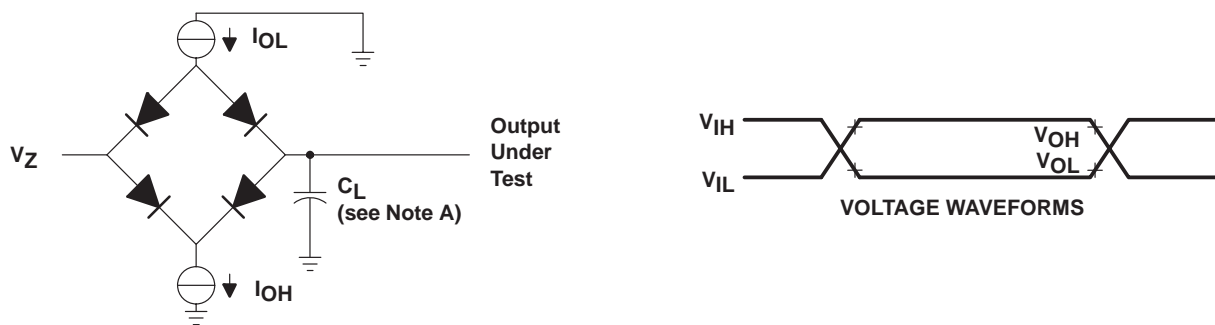
common electrical parameter

absolute maximum ratings over operating free-air temperature range (unless otherwise noted)†

Supply voltage range, V_{CC} (see Note 4)	- 0.6 V to 7 V
Supply voltage range, V_{PP} (see Note 4)	- 0.6 V to 14 V
Input voltage range: All inputs except A9, \overline{RP}	- 0.6 V to $V_{CC} + 1$ V
\overline{RP} , A9 (see Note 5)	- 0.6 V to 13.5 V
Output voltage range (see Note 6)	- 0.6 V to $V_{CC} + 1$ V
Operating free-air temperature range, T_A , during read/erase/program: L suffix	0°C to 70°C
E suffix	- 40°C to 85°C
Q suffix	- 40°C to 125°C
Storage temperature range, T_{stg}	- 65°C to 150°C

† Stresses beyond those listed under “absolute maximum ratings” may cause permanent damage to the device. These are stress ratings only, and functional operation of the device at these or any other conditions beyond those indicated under “recommended operating conditions” is not implied. Exposure to absolute-maximum-rated conditions for extended periods may affect device reliability.

- NOTES: 4. All voltage values are with respect to V_{SS} .
 5. The voltage on any input or output can undershoot to - 2 V for periods less than 20 ns. See Figure 8.
 6. The voltage on any input or output can overshoot to 7 V for periods less than 20 ns. See Figure 9.



- NOTES: A. C_L includes probes and fixture capacitance
 B. AC test conditions are driven at V_{IH} and V_{IL} . Timing measurements are made at V_{OH} and V_{OL} levels on both inputs and outputs. See Table 9 for values based on V_{CC} operating range.
 C. Each device should have a 0.1- μ F ceramic capacitor connected to V_{CC} and V_{SS} as closely as possible to the device pins.

Figure 7. Load Circuit and Voltage Waveforms

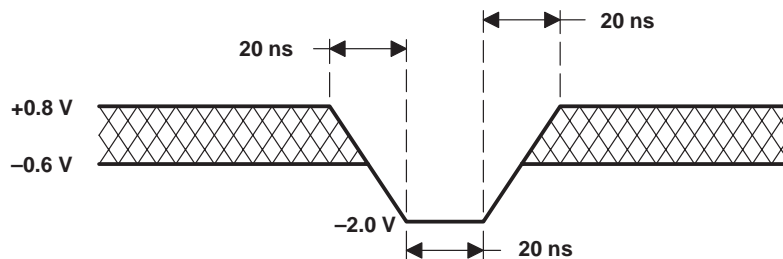


Figure 8. Maximum Negative Overshoot Waveform

common electrical parameter (continued)

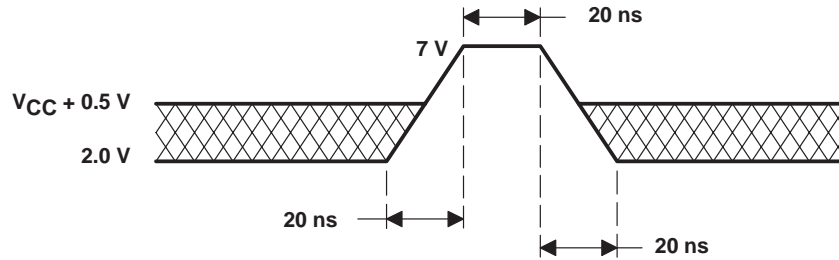


Figure 9. Maximum Positive Overshoot Waveform

Table 9. AC Test Conditions

V _{CC} RANGE	I _{OL} (mA)	I _{OH} (mA)	V _Z [†] (V)	V _{OL} (V)	V _{OH} (V)	V _{IL} (V)	V _{IH} (V)	C _L (pF)	t _f (ns)	t _r (ns)
5 V ± 10%	2.1	-0.4	1.8	0.8	2.0	0.45	2.4	100	<10	<10
3.3 V ± 0.3 V	0.5	-0.5	1.5	1.5	1.5	0.0	3.0	50	<10	<10
2.7 to 3.6 V	0.1	-0.1	1.35	1.35	1.35	0.0	2.7	50	<10	<10

[†] V_Z is the value to which an output at high impedance will float. V_Z is calculated by the following equation: $V_Z = V_{OH} - I_{OH} (V_{OH} - V_{OL}) / (I_{OH} - I_{OL})$.

capacitance over recommended ranges of supply voltage and operating free-air temperature

PARAMETER		TEST CONDITIONS	MIN	MAX	UNIT
C _i	Input capacitance	f = 1 MHz, V _I = 0V		8	pF
C _o	Output capacitance	V _O = 0 V, f = 1 MHz		12	pF

TMS28F002Axy, TMS28F200Axy
262144 BY 8-BIT/131072 BY 16-BIT
AUTO-SELECT BOOT-BLOCK FLASH MEMORIES

SMJS826D – JANUARY 1996 – REVISED SEPTEMBER 1997

TMS28F002ASy and TMS28F200ASy

The TMS28F002ASy and the TMS28F200ASy configurations have the auto-select feature that allows alternative read and program/erase voltages. Memory reads can be performed using $V_{CC} = 3.3\text{ V}$ for optimum power consumption or at $V_{CC} = 5\text{ V}$, for device performance. Erasing or programming the device can be accomplished with 5-V V_{PP} , which eliminates having to use a 12-V source and/or in-system voltage converters. Alternatively, 12-V V_{PP} operation exists for systems that already have a 12-V power supply, which provides faster programming and erasing times. These configurations are offered in two different temperature ranges: 0°C to 70°C and – 40°C to 85°C.

recommended operating conditions for TMS28F002ASy and TMS28F200ASy

			MIN	NOM	MAX	UNIT	
V_{CC}	Supply voltage	During write/read/erase/erase suspend	3.3-V V_{CC} range	3	3.3	3.6	V
			5-V V_{CC} range	4.5	5	5.5	
V_{PP}	Supply voltage	During read only (V_{PPL})	V_{PPL}	0	6.5	V	
		During write/erase/erase suspend	5-V V_{PP} range	4.5	5		5.5
			12-V V_{PP} range	11.4	12		12.6
V_{IH}	High-level dc input voltage	3.3-V V_{CC} range	TTL	2	$V_{CC} + 0.5$	V	
			CMOS	$V_{CC} - 0.2$	$V_{CC} + 0.2$		
		5-V V_{CC} range	TTL	2	$V_{CC} + 0.3$		
			CMOS	$V_{CC} - 0.2$	$V_{CC} + 0.2$		
V_{IL}	Low-level dc input voltage	3.3-V V_{CC} range	TTL	– 0.5	0.8	V	
			CMOS	$V_{SS} - 0.2$	$V_{SS} + 0.2$		
		5-V V_{CC} range	TTL	– 0.3	0.8		
			CMOS	$V_{SS} - 0.2$	$V_{SS} + 0.2$		
V_{LKO}	V_{CC} lock-out voltage from write/erase (see Note 7)		2			V	
V_{HH}	\overline{RP} unlock voltage		11.4	12	13	V	
V_{PPLK}	V_{PP} lock-out voltage from write/erase		0		1.5	V	
T_A	Operating free-air temperature during read/erase/program	L suffix	0		70	°C	
		E suffix	– 40		85	°C	

NOTE 7: Minimum value at $T_A = 25^\circ\text{C}$.

word/byte typical write and block-erase performance for TMS28F002ASy and TMS28F200ASy (see Notes 8 and 9)

PARAMETER	5-V V_{PP} RANGE						12-V V_{PP} RANGE					
	3.3-V V_{CC} RANGE			5-V V_{CC} RANGE			3.3-V V_{CC} RANGE			5-V V_{CC} RANGE		
	MIN	TYP	MAX	MIN	TYP	MAX	MIN	TYP	MAX	MIN	TYP	MAX
Main block erase time	2.4			1.9			1.3			1.1 14		
Main block byte-program time	1.7			1.4			1.6			1.2 4.2		
Main block word-program time	1.1			0.9			0.8			0.6 2.1		
Parameter/boot-block erase time	0.84			0.8			0.44			0.34 7		

NOTES: 8. Typical values shown are at $T_A = 25^\circ\text{C}$ and nominal conditions
 9. Excludes system-level overhead (all times in seconds)



electrical characteristics for TMS28F002ASy and TMS28F200ASy over recommended ranges of supply voltage and operating free-air temperature using test conditions given in Table 9 (unless otherwise noted)

PARAMETER		TEST CONDITIONS		MIN	MAX	UNIT
V _{OH}	High-level dc output voltage	TTL	V _{CC} = V _{CC} MIN, I _{OH} = – 2.5 mA	2.4		V
		CMOS	V _{CC} = V _{CC} MIN, I _{OH} = – 100 μA	V _{CC} – 0.4		
V _{OL}	Low-level dc output voltage		V _{CC} = V _{CC} MIN, I _{OL} = 5.8 mA		0.45	V
V _{ID}	A9 selection code voltage		During read algorithm-selection mode	11.4	12.6	V
I _I	Input current (leakage), except for A9 when A9 = V _{ID} (see Note 10)		V _{CC} = V _{CC} MAX, V _I = 0 V to V _{CC} MAX, R _P = V _{HH}		±1	μA
I _{ID}	A9 selection code current		A9 = V _{ID}		500	μA
I _{RP}	R _P boot-block unlock current		R _P = V _{HH}		500	μA
I _O	Output current (leakage)		V _{CC} = V _{CC} MAX, V _O = 0 V to V _{CC} MAX		±10	μA
I _{PPS}	V _{PP} standby current (standby)	V _{PP} ≤ V _{CC}	3.3-V V _{CC} range		15	μA
			5-V V _{CC} range		10	
I _{PPL}	V _{PP} supply current (reset/deep power-down mode)	R _P = V _{SS} ± 0.2 V, V _{PP} ≤ V _{CC}	3.3-V V _{CC} range		5	μA
			5-V V _{CC} range		5	
I _{PP1}	V _{PP} supply current (active read)	V _{PP} ≥ V _{CC}	3.3-V V _{CC} range		200	μA
			5-V V _{CC} range		200	
I _{PP2}	V _{PP} supply current (active byte-write) (see Notes 11 and 12)	Programming in progress	5-V V _{PP} range, 3.3-V V _{CC} range		30	mA
			5-V V _{PP} range, 5-V V _{CC} range		25	
			12-V V _{PP} range, 3.3-V V _{CC} range		25	
			12-V V _{PP} range, 5-V V _{CC} range		20	
I _{PP3}	V _{PP} supply current (active word-write) (see Notes 11 and 12)	Programming in progress	5-V V _{PP} range, 3.3-V V _{CC} range		30	mA
			5-V V _{PP} range, 5-V V _{CC} range		25	
			12-V V _{PP} range, 3.3-V V _{CC} range		25	
			12-V V _{PP} range, 5-V V _{CC} range		20	

- NOTES: 10. DQ15/A₁ is tested for output leakage only.
11. Characterization data available
12. All ac current values are RMS unless otherwise noted.

TMS28F002Axy, TMS28F200Axy
262144 BY 8-BIT/131072 BY 16-BIT
AUTO-SELECT BOOT-BLOCK FLASH MEMORIES

SMJS826D – JANUARY 1996 – REVISED SEPTEMBER 1997

electrical characteristics for TMS28F002ASy and TMS28F200ASy over recommended ranges of supply voltage and operating free-air temperature, using test conditions given in Table 9 (unless otherwise noted) (continued)

PARAMETER		TEST CONDITIONS	MIN	MAX	UNIT	
I _{PP4}	V _{PP} supply current (block-erase) (see Notes 11 and 12)	Block-erase in progress	5-V V _{PP} range, 3.3-V V _{CC} range	30	mA	
			5-V V _{PP} range, 5-V V _{CC} range	20		
			12-V V _{PP} range, 3.3-V V _{CC} range	25		
			12-V V _{PP} range, 5-V V _{CC} range	15		
I _{PP5}	V _{PP} supply current (erase-suspend) (see Notes 11 and 12)	Block-erase suspended	5-V V _{PP} range, 3.3-V V _{CC} range	200	μA	
			5-V V _{PP} range, 5-V V _{CC} range	200		
			12-V V _{PP} range, 3.3-V V _{CC} range	200		
			12-V V _{PP} range, 5-V V _{CC} range	200		
I _{CCS}	V _{CC} supply current (standby)	TTL-input level	V _{CC} = V _{CC} MAX, $\bar{E} = \bar{R}P = V_{IH}$	3.3-V V _{CC} range	1.5	mA
			5-V V _{CC} range	2	mA	
		CMOS-input level	V _{CC} = V _{CC} MAX, $\bar{E} = \bar{R}P = V_{CC} \pm 0.2$	3.3-V V _{CC} range	110	μA
			5-V V _{CC} range	130	μA	
I _{CCL}	V _{CC} supply current (reset/deep power-down mode)	$\bar{R}P = V_{SS} \pm 0.2 V$	0°C to 70°C	8	μA	
			-40°C to 85°C	8		
I _{CC1}	V _{CC} supply current (active read)	TTL-input level	$\bar{E} = V_{SS}, \bar{G} = V_{IH}, I_{OUT} = 0 mA, f = 5 MHz, 3.3-V V_{CC} range$	30	mA	
			$\bar{E} = V_{SS}, \bar{G} = V_{IH}, I_{OUT} = 0 mA, f = 10 MHz, 5-V V_{CC} range$	65		
		CMOS-input level	$\bar{E} = V_{SS}, \bar{G} = V_{CC}, I_{OUT} = 0 mA, f = 5 MHz, 3.3-V V_{CC} range$	30	mA	
			$\bar{E} = V_{SS}, \bar{G} = V_{CC}, I_{OUT} = 0 mA, f = 10 MHz, 5-V V_{CC} range$	60		
I _{CC2}	V _{CC} supply current (active byte-write) (see Notes 11 and 12)	V _{CC} = V _{CC} MAX, Programming in progress	5-V V _{PP} range, 3.3-V V _{CC} range	30	mA	
			5-V V _{PP} range, 5-V V _{CC} range	50		
			12-V V _{PP} range, 3.3-V V _{CC} range	25		
			12-V V _{PP} range, 5-V V _{CC} range	45		

NOTES: 11. Characterization data available
 12. All ac current values are RMS unless otherwise noted.



electrical characteristics for TMS28F002ASy and TMS28F200ASy over recommended ranges of supply voltage and operating free-air temperature, using test conditions given in Table 9 (unless otherwise noted) (continued)

PARAMETER		TEST CONDITIONS	MIN	MAX	UNIT
I _{CC3}	V _{CC} supply current (active word-write) (see Notes 11 and 12)	V _{CC} = V _{CC} MAX, Programming in progress	5-V V _{PP} range, 3.3-V V _{CC} range	30	mA
			5-V V _{PP} range, 5-V V _{CC} range	50	
			12-V V _{PP} range, 3.3-V V _{CC} range	25	
			12-V V _{PP} range, 5-V V _{CC} range	45	
I _{CC4}	V _{CC} supply current (block-erase) (see Notes 11 and 12)	V _{CC} = V _{CC} MAX, Block-erase in progress	5-V V _{PP} range, 3.3-V V _{CC} range	30	mA
			5-V V _{PP} range, 5-V V _{CC} range	35	
			12-V V _{PP} range, 3.3-V V _{CC} range	25	
			12-V V _{PP} range, 5-V V _{CC} range	30	
I _{CC5}	V _{CC} supply current (erase-suspend) (see Notes 11 and 12)	V _{CC} = V _{CC} MAX, $\bar{E} = V_{IH}$, Block-erase suspended	3.3-V V _{CC} range	8	mA
			5-V V _{CC} range	10	

NOTES: 11. Characterization data available
 12. All ac current values are RMS unless otherwise noted.

power-up and reset switching characteristics for TMS28F002ASy and TMS28F200ASy over recommended ranges of supply voltage (commercial and extended temperature ranges) (see Notes 11, 12, and 13) (see Table 9 and Figure 7)

PARAMETER	ALT. SYMBOL	'28F002ASy60 '28F200ASy60		'28F002ASy70 '28F200ASy70		'28F002ASy80 '28F200ASy80		UNIT		
		3.3-V V _{CC} RANGE		5-V V _{CC} RANGE		3.3-V V _{CC} RANGE			5-V V _{CC} RANGE	
		MIN	MAX	MIN	MAX	MIN	MAX		MIN	MAX
t _{su} (VCC) Setup time, \overline{RP} low to V _{CC} at 4.5 V MIN (to V _{CC} at 3 V MIN or 3.6 V MAX) (see Note 14)	t _{PL5V} t _{PL3V}	0		0		0		0		ns
t _a (DV) Access time from address valid to data valid for V _{CC} = 5 V ± 10%	t _{AVQV}	110		60		130		70		ns
t _{su} (DV) Setup time, \overline{RP} high to data valid for V _{CC} = 5 V ± 10%	t _{PHQV}	800		450		800		450		ns
t _h (RP5) Hold time, V _{CC} at 4.5 V (MIN) to \overline{RP} high	t _{5VPH}	2		2		2		2		μs
t _h (RP3) Hold time, V _{CC} at 3 V (MIN) to \overline{RP} high	t _{3VPH}	2		2		2		2		μs

- NOTES: 11. Characterization data available
 12. All ac current values are RMS unless otherwise noted.
 13. \overline{E} and \overline{G} are switched low after power up.
 14. The power supply can switch low concurrently with \overline{RP} going low.

switching characteristics for TMS28F002ASy and TMS28F200ASy over recommended ranges of supply voltage (commercial and extended temperature ranges) (see Table 9 and Figure 7)

read operations

PARAMETER	ALT. SYMBOL	'28F002ASy60 '28F200ASy60		'28F002ASy70 '28F200ASy70		'28F002ASy80 '28F200ASy80		UNIT						
		3.3-V V _{CC} RANGE		5-V V _{CC} RANGE		3.3-V V _{CC} RANGE			5-V V _{CC} RANGE					
		MIN	MAX	MIN	MAX	MIN	MAX		MIN	MAX				
t _a (A) Access time from A0–A16 (see Note 15)	t _{AVQV}	110		60		130		70		150		80		ns
t _a (E) Access time from \bar{E}	t _{ELQV}	110		60		130		70		150		80		ns
t _a (G) Access time from \bar{G}	t _{GLQV}	65		35		80		40		90		40		ns
t _c (R) Cycle time, read	t _{AVAV}	110		60		130		70		150		80		ns
t _d (E) Delay time, \bar{E} low to low-impedance output	t _{ELQX}	0		0		0		0		0		0		ns
t _d (G) Delay time, \bar{G} low to low-impedance output	t _{GLQX}	0		0		0		0		0		0		ns
t _{dis} (E) Disable time, \bar{E} to high-impedance output	t _{EHQZ}	55		25		70		30		80		30		ns
t _{dis} (G) Disable time, \bar{G} to high-impedance output	t _{GHQZ}	45		25		55		30		60		30		ns
t _h (D) Hold time, DQ valid from A0–A16, \bar{E} , or \bar{G} , whichever occurs first (see Note 15)	t _{AXQX}	0		0		0		0		0		0		ns
t _{su} (EB) Setup time, $\overline{\text{BYTE}}$ from \bar{E} low	t _{ELFL} t _{ELFH}	5		5		5		5		5		5		ns
t _d (RP) Delay time, $\overline{\text{RP}}$ high to output	t _{PHQV}	800		450		800		450		800		450		ns
t _{dis} (BL) Disable time, $\overline{\text{BYTE}}$ low to DQ8–DQ15 in high-impedance state	t _{FLQZ}	45		25		55		30		60		30		ns
t _a (BH) Access time from $\overline{\text{BYTE}}$ going high	t _{FHQV}	110		60		130		70		150		80		ns

NOTE 15: A_{L1} – A16 for byte-wide

timing requirements for TMS28F002ASy and TMS28F200ASy over recommended ranges of supply voltage (commercial and extended temperature ranges)

write/erase operations — \overline{W} -controlled writes

	ALT. SYMBOL	'28F002ASy60 '28F200ASy60				'28F002ASy70 '28F200ASy70				'28F002ASy80 '28F200ASy80				UNIT	
		3.3-V V _{CC} RANGE		5-V V _{CC} RANGE		3.3-V V _{CC} RANGE		5-V V _{CC} RANGE		3.3-V V _{CC} RANGE		5-V V _{CC} RANGE			
		MIN	MAX	MIN	MAX	MIN	MAX	MIN	MAX	MIN	MAX	MIN	MAX		
t _{c(W)}	Cycle time, write	t _{AVAV}	110		60		130		70		150		80	ns	
t _{c(W)OP}	Cycle time, duration of programming operation	t _{WHQV1}	6		6		6		6		6		6	μs	
t _{c(W)ERB}	Cycle time, erase operation (boot block)	t _{WHQV2}	0.3		0.3		0.3		0.3		0.3		0.3	s	
t _{c(W)ERP}	Cycle time, erase operation (parameter block)	t _{WHQV3}	0.3		0.3		0.3		0.3		0.3		0.3	s	
t _{c(W)ERM}	Cycle time, erase operation (main block)	t _{WHQV4}	0.6		0.6		0.6		0.6		0.6		0.6	s	
t _{d(RPR)}	Delay time, boot-block relock	t _{PHBR}		200		100		200		100		200		100	ns
t _{h(A)}	Hold time, A0–A16 (see Note 15)	t _{WHAX}	0		0		0		0		0		0	ns	
t _{h(D)}	Hold time, DQ valid	t _{WHDX}	0		0		0		0		0		0	ns	
t _{h(E)}	Hold time, \overline{E}	t _{WHEH}	0		0		0		0		0		0	ns	
t _{h(VPP)}	Hold time, V _{PP} from valid status register bit	t _{QVVL}	0		0		0		0		0		0	ns	
t _{h(RP)}	Hold time, \overline{RP} at V _{HH} from valid status register bit	t _{QVPH}	0		0		0		0		0		0	ns	
t _{h(WP)}	Hold time, \overline{WP} from valid status register bit	t _{WHPL}	0		0		0		0		0		0	ns	
t _{su(WP)}	Setup time, \overline{WP} before write operation	t _{ELPH}	90		50		105		50		120		50	ns	
t _{su(A)}	Setup time, A0–A16 (see Note 15)	t _{AVWH}	90		50		105		50		120		50	ns	
t _{su(D)}	Setup time, DQ	t _{DVWH}	90		50		105		50		120		50	ns	

NOTE 15: A_{L1} – A16 for byte-wide

timing requirements for TMS28F002ASy and TMS28F200ASy over recommended ranges of supply voltage (commercial and extended temperature ranges) (continued)

write/erase operations — \overline{W} -controlled writes (continued)

	ALT. SYMBOL	'28F002ASy60 '28F200ASy60		'28F002ASy70 '28F200ASy70		'28F002ASy80 '28F200ASy80		UNIT		
		3.3-V V _{CC} RANGE		5-V V _{CC} RANGE		3.3-V V _{CC} RANGE			5-V V _{CC} RANGE	
		MIN	MAX	MIN	MAX	MIN	MAX		MIN	MAX
t _{su} (E)	Setup time, \overline{E} before write operation	t _{ELWL}	0	0	0	0	0	0	ns	
t _{su} (RP)	Setup time, \overline{RP} at V _{HH} to \overline{W} going high	t _{PHHWH}	200	100	200	100	200	100	ns	
t _{su} (V _{PP}) ₁	Setup time, V _{PP} to \overline{W} going high	t _{VPWH}	200	100	200	100	200	100	ns	
t _w (\overline{W})	Pulse duration, \overline{W} low	t _{WLWH}	90	50	105	50	120	50	ns	
t _w (W)	Pulse duration, \overline{W} high	t _{WHWL}	20	10	25	20	30	30	ns	
t _{rec} (RPHW)	Recovery time, \overline{RP} high to \overline{W} going low	t _{PHWL}	800	450	800	450	800	450	ns	

NOTE 15: A_{L1} – A16 for byte-wide

timing requirements for TMS28F002ASy and TMS28F200ASy over recommended ranges of supply voltage (commercial and extended temperature ranges)

write/erase operations — \bar{E} -controlled writes

	ALT. SYMBOL	'28F002ASy60 '28F200ASy60				'28F002ASy70 '28F200ASy70				'28F002ASy80 '28F200ASy80				UNIT	
		3.3-V V _{CC} RANGE		5-V V _{CC} RANGE		3.3-V V _{CC} RANGE		5-V V _{CC} RANGE		3.3-V V _{CC} RANGE		5-V V _{CC} RANGE			
		MIN	MAX	MIN	MAX	MIN	MAX	MIN	MAX	MIN	MAX	MIN	MAX		
t _c (E)	Cycle time, write	t _{AVAV}	110		60		130		70		150		80	ns	
t _c (E)OP	Cycle time, duration of programming operation	t _{EHQV1}	6		6		6		6		6		6	μs	
t _c (E)ERB	Cycle time, erase operation (boot block)	t _{EHQV2}	0.3		0.3		0.3		0.3		0.3		0.3	s	
t _c (E)ERP	Cycle time, erase operation (parameter block)	t _{EHQV3}	0.3		0.3		0.3		0.3		0.3		0.3	s	
t _c (E)ERM	Cycle time, erase operation (main block)	t _{EHQV4}	0.6		0.6		0.6		0.6		0.6		0.6	s	
t _d (RPR)	Delay time, boot-block relock	t _{PHBR}		200		100		200		100		200		100	ns
t _h (A)	Hold time, A0–A16 (see Note 15)	t _{EHAX}	0		0		0		0		0		0	ns	
t _h (D)	Hold time, DQ valid	t _{EHDX}	0		0		0		0		0		0	ns	
t _h (W)	Hold time, \bar{W}	t _{EHWH}	0		0		0		0		0		0	ns	
t _h (VPP)	Hold time, V _{PP} from valid status-register bit	t _{QVVL}	0		0		0		0		0		0	ns	
t _h (RP)	Hold time, $\bar{R}\bar{P}$ at V _{HH} from valid status-register bit	t _{QVPH}	0		0		0		0		0		0	ns	
t _h (WP)	Hold time, $\bar{W}\bar{P}$ from valid status register bit	t _{WHPL}	0		0		0		0		0		0	ns	
t _{su} (WP)	Setup time, $\bar{W}\bar{P}$ before write operation	t _{ELPH}	90		50		105		50		120		50	ns	
t _{su} (A)	Setup time, A0–A16 (see Note 15)	t _{AVEH}	90		50		105		50		120		50	ns	
t _{su} (D)	Setup time, DQ	t _{DVEH}	90		50		105		50		120		50	ns	
t _{su} (W)	Setup time, \bar{W} before write operation	t _{WLEL}	0		0		0		0		0		0	ns	
t _{su} (RP)	Setup time, $\bar{R}\bar{P}$ at V _{HH} to \bar{E} going high	t _{PHHEH}	200		100		200		100		200		100	ns	
t _{su} (VPP)2	Setup time, V _{PP} to \bar{E} going high	t _{VPEH}	200		100		200		100		200		100	ns	
t _w (E)	Pulse duration, \bar{E} low	t _{ELEH}	90		50		105		50		120		50	ns	

NOTE 15: A_{L-1} – A16 for byte-wide

timing requirements for TMS28F002ASy and TMS28F200ASy over recommended ranges of supply voltage (commercial and extended temperature ranges) (continued)

write/erase operations — \bar{E} -controlled writes (continued)

	ALT. SYMBOL	'28F002ASy60 '28F200ASy60		'28F002ASy70 '28F200ASy70		'28F002ASy80 '28F200ASy80		UNIT		
		3.3-V V _{CC} RANGE		5-V V _{CC} RANGE		3.3-V V _{CC} RANGE			5-V V _{CC} RANGE	
		MIN	MAX	MIN	MAX	MIN	MAX		MIN	MAX
t _w (EH) Pulse duration, \bar{E} high	t _{EHEL}	20	10	25	20	30	30	ns		
t _{rec} (RPHE) Recovery time, $\bar{R}\bar{P}$ high to \bar{E} going low	t _{PHEL}	800	450	800	450	800	450	ns		

NOTE 15: A_{L1} – A16 for byte-wide

TMS28F002Axy, TMS28F200Axy
262144 BY 8-BIT/131072 BY 16-BIT
AUTO-SELECT BOOT-BLOCK FLASH MEMORIES

SMJS826D – JANUARY 1996 – REVISED SEPTEMBER 1997

TMS28F002AEy and TMS28F200AEy

The TMS28F002AEy and the TMS28F200AEy configurations offer the auto-select feature of the TMS28F200ASy with an extended V_{CC} to a low 2.7-V to 3.6-V range (3-V nominal). Memory reads can be performed using a $V_{CC} = 3$ V, allowing for more efficient power consumption than the AS device.

recommended operating conditions for TMS28F002AEy and TMS28F200AEy

			MIN	NOM	MAX	UNIT	
V_{CC}	Supply voltage	During write/read/erase/erase-suspend	3-V V_{CC} range	2.7	3	3.6	V
			5-V V_{CC} range	4.5	5	5.5	
V_{PP}	Supply voltage	During read only (V_{PPL})	V_{PPL}	0	6.5	V	
		During write/erase/erase-suspend	5-V V_{PP} range	4.5	5		5.5
			12-V V_{PP} range	11.4	12		12.6
V_{IH}	High-level dc input voltage	3-V V_{CC} range	TTL	2	$V_{CC} + 0.5$	V	
			CMOS	$V_{CC} - 0.2$	$V_{CC} + 0.2$		
		5-V V_{CC} range	TTL	2	$V_{CC} + 0.3$		
			CMOS	$V_{CC} - 0.2$	$V_{CC} + 0.2$		
V_{IL}	Low-level dc input voltage	3-V V_{CC} range	TTL	-0.5	0.8	V	
			CMOS	$V_{SS} - 0.2$	$V_{SS} + 0.2$		
		5-V V_{CC} range	TTL	-0.3	0.8		
			CMOS	$V_{SS} - 0.2$	$V_{SS} + 0.2$		
V_{LKO}	V_{CC} lock-out voltage from write/erase (see Note 7)		2			V	
V_{HH}	\overline{RP} unlock voltage		11.4	12	13	V	
V_{PPLK}	V_{PP} lock-out voltage from write/erase		0		1.5	V	
T_A	Operating free-air temperature during read/erase/program	L suffix	0		70	°C	
		E suffix	-40		85	°C	

NOTE 7: Minimum value at $T_A = 25^\circ\text{C}$.

word/byte typical write and block-erase performance for TMS28F002AEy and TMS28F200AEy (see Notes 8 and 9)

PARAMETER	5-V V_{PP} RANGE						12-V V_{PP} RANGE						
	3-V V_{CC} RANGE			5-V V_{CC} RANGE			3-V V_{CC} RANGE			5-V V_{CC} RANGE			
	MIN	TYP	MAX	MIN	TYP	MAX	MIN	TYP	MAX	MIN	TYP	MAX	
Main block erase time	2.4			1.9			1.3			1.1			14
Main block byte-program time	1.7			1.4			1.6			1.2			4.2
Main block word-program time	1.1			0.9			0.8			0.6			2.1
Parameter/boot block-erase time	0.84			0.8			0.44			0.34			7

NOTES: 8. Typical values shown are at $T_A = 25^\circ\text{C}$ and nominal conditions.

9. Excludes system-level overhead (all times in seconds)



electrical characteristics for TMS28F002AEy and TMS28F200AEy over recommended ranges of supply voltage and operating free-air temperature, using test conditions given in Table 9 (unless otherwise noted)

PARAMETER		TEST CONDITIONS		MIN	MAX	UNIT
V _{OH}	High-level dc output voltage	TTL	V _{CC} = V _{CC} MIN, I _{OH} = – 2.5 mA	2.4		V
		CMOS	V _{CC} = V _{CC} MIN, I _{OH} = – 100 μA	V _{CC} – 0.4		
V _{OL}	Low-level dc output voltage		V _{CC} = V _{CC} MIN, I _{OL} = 5.8 mA		0.45	V
V _{ID}	A9 selection code voltage		During read algorithm-selection mode	11.4	12.6	V
I _I	Input current (leakage), except for A9 when A9 = V _{ID} (see Note 10)		V _{CC} = V _{CC} MAX, V _I = 0 V to V _{CC} MAX, \overline{RP} = V _{HH}		±1	μA
I _{ID}	A9 selection code current		A9 = V _{ID}		500	μA
I _{RP}	\overline{RP} boot-block unlock current		\overline{RP} = V _{HH}		500	μA
I _O	Output current (leakage)		V _{CC} = V _{CC} MAX, V _O = 0 V to V _{CC} MAX		±10	μA
I _{PPS}	V _{PP} standby current (standby)	V _{PP} ≤ V _{CC}	3-V V _{CC} range		15	μA
			5-V V _{CC} range		10	
I _{PPL}	V _{PP} supply current (reset/deep power-down mode)	\overline{RP} = V _{SS} ± 0.2 V, V _{PP} ≤ V _{CC}	3-V V _{CC} range		5	μA
			5-V V _{CC} range		5	
I _{PP1}	V _{PP} supply current (active read)	V _{PP} ≥ V _{CC}	3-V V _{CC} range		200	μA
			5-V V _{CC} range		200	
I _{PP2}	V _{PP} supply current (active byte-write) (see Notes 11 and 12)	Programming in progress	5-V V _{PP} range, 3-V V _{CC} range		30	mA
			5-V V _{PP} range, 5-V V _{CC} range		25	
			12-V V _{PP} range, 3-V V _{CC} range		25	
			12-V V _{PP} range, 5-V V _{CC} range		20	
I _{PP3}	V _{PP} supply current (active word-write) (see Notes 11 and 12)	Programming in progress	5-V V _{PP} range, 3-V V _{CC} range		30	mA
			5-V V _{PP} range, 5-V V _{CC} range		25	
			12-V V _{PP} range, 3-V V _{CC} range		25	
			12-V V _{PP} range, 5-V V _{CC} range		20	

- NOTES: 10. DQ15/A₁ is tested for output leakage only.
11. Characterization data available
12. All ac current values are RMS unless otherwise noted.

TMS28F002Axy, TMS28F200Axy
262144 BY 8-BIT/131072 BY 16-BIT
AUTO-SELECT BOOT-BLOCK FLASH MEMORIES

SMJS826D – JANUARY 1996 – REVISED SEPTEMBER 1997

electrical characteristics for TMS28F002AEy and TMS28F200AEy over recommended ranges of supply voltage and operating free-air temperature, using test conditions given in Table 9 (unless otherwise noted) (continued)

PARAMETER		TEST CONDITIONS	MIN	MAX	UNIT
I _{PP4}	V _{PP} supply current (block-erase) (see Notes 11 and 12)	Block-erase in progress	5-V V _{PP} range, 3-V V _{CC} range	30	mA
			5-V V _{PP} range, 5-V V _{CC} range	20	
			12-V V _{PP} range, 3-V V _{CC} range	25	
			12-V V _{PP} range, 5-V V _{CC} range	15	
I _{PP5}	V _{PP} supply current (erase-suspend) (see Notes 11 and 12)	Block-erase suspended	5-V V _{PP} range, 3-V V _{CC} range	200	μA
			5-V V _{PP} range, 5-V V _{CC} range	200	
			12-V V _{PP} range, 3-V V _{CC} range	200	
			12-V V _{PP} range, 5-V V _{CC} range	200	
I _{CCS}	V _{CC} supply current (standby)	TTL-input level V _{CC} = V _{CCMAX} , E = RP = V _{IH}	3-V V _{CC} range	1.5	mA
			5-V V _{CC} range	2	
			3-V V _{CC} range	110	
			5-V V _{CC} range	130	
I _{CCL}	V _{CC} supply current (reset/deep power-down mode)	RP = V _{SS} ± 0.2 V	0°C to 70°C	8	μA
			-40°C to 85°C	8	
I _{CC1}	V _{CC} supply current (active read)	TTL-input level	E = V _{IL} , G = V _{IH} , I _{OUT} = 0 mA, f = 5 MHz, 3-V V _{CC} range	30	mA
			E = V _{IL} , G = V _{IH} , I _{OUT} = 0 mA, f = 10 MHz, 5-V V _{CC} range	65	
		CMOS-input level	E = V _{SS} , G = V _{CC} , I _{OUT} = 0 mA, f = 5 MHz, 3-V V _{CC} range	30	mA
			E = V _{SS} , G = V _{CC} , I _{OUT} = 0 mA, f = 10 MHz, 5-V V _{CC} range	60	
I _{CC2}	V _{CC} supply current (active byte-write) (see Notes 11 and 12)	V _{CC} = V _{CCMAX} , Programming in progress	5-V V _{PP} range, 3-V V _{CC} range	30	mA
			5-V V _{PP} range, 5-V V _{CC} range	50	
			12-V V _{PP} range, 3-V V _{CC} range	25	
			12-V V _{PP} range, 5-V V _{CC} range	45	

NOTES: 11. Characterization data available
12. All ac current values are RMS unless otherwise noted.



electrical characteristics for TMS28F002AEy and TMS28F200AEy over recommended ranges of supply voltage and operating free-air temperature, using test conditions given in Table 9 (unless otherwise noted) (continued)

PARAMETER		TEST CONDITIONS	MIN	MAX	UNIT
I _{CC3}	V _{CC} supply current (active word-write) (see Notes 11 and 12)	V _{CC} = V _{CC} MAX, Programming in progress	5-V V _{PP} range, 3-V V _{CC} range	30	mA
			5-V V _{PP} range, 5-V V _{CC} range	50	
			12-V V _{PP} range, 3-V V _{CC} range	25	
			12-V V _{PP} range, 5-V V _{CC} range	45	
I _{CC4}	V _{CC} supply current (block-erase) (see Notes 11 and 12)	V _{CC} = V _{CC} MAX, Block-erase in progress	5-V V _{PP} range, 3-V V _{CC} range	30	mA
			5-V V _{PP} range, 5-V V _{CC} range	35	
			12-V V _{PP} range, 3-V V _{CC} range	25	
			12-V V _{PP} range, 5-V V _{CC} range	30	
I _{CC5}	V _{CC} supply current (erase-suspend) (see Notes 11 and 12)	V _{CC} = V _{CC} MAX, $\bar{E} = V_{IH}$, Block-erase suspended	3-V V _{CC} range	8	mA
			5-V V _{CC} range	10	

NOTES: 11. Characterization data available
 12. All ac current values are RMS unless otherwise noted.

power-up and reset switching characteristics for TMS28F002Axy and TMS28F200Axy over recommended ranges of supply voltage (commercial and extended temperature ranges) (see Notes 11, 12, and 13) (see Table 9 and Figure 7)

PARAMETER	ALT. SYMBOL	'28F002Axy60 '28F200Axy60		'28F002Axy70 '28F200Axy70		'28F002Axy80 '28F200Axy80		UNIT				
		3-V V _{CC} RANGE		5-V V _{CC} RANGE		3-V V _{CC} RANGE			5-V V _{CC} RANGE			
		MIN	MAX	MIN	MAX	MIN	MAX		MIN	MAX		
t _{su} (V _{CC}) Setup time, \overline{RP} low to V _{CC} at 4.5 V MIN (to V _{CC} at 3 V MIN or 3.6 V MAX) (see Note 14)	t _{PL5V} t _{PL3V}	0		0		0		0	ns			
t _a (DV) Access time from address valid to data valid for V _{CC} = 5 V ± 10% (see Note 14)	t _{AVQV}		110		60		130		70	150	80	ns
t _{su} (DV) Setup time, \overline{RP} high to data valid for V _{CC} = 5 V ± 10% (see Note 14)	t _{PHQV}		800		450		800		450	800	450	ns
t _h (RP5) Hold time, V _{CC} at 4.5 V (MIN) to \overline{RP} high	t _{5VPH}	2		2		2		2		2		μs
t _h (RP3) Hold time, V _{CC} at 3 V (MIN) to \overline{RP} high	t _{3VPH}	2		2		2		2		2		μs

- NOTES: 11. Characterization data available
 12. All ac current values are RMS unless otherwise noted.
 13. \overline{E} and \overline{G} are switched low after power up.
 14. The power supply can switch low concurrently with \overline{RP} going low.

switching characteristics for TMS28F002AEy and TMS28F200AEy over recommended ranges of supply voltage (commercial and extended temperature ranges) (see Table 9 and Figure 7)

read operations

PARAMETER	ALT. SYMBOL	'28F002AEy60 '28F200AEy60		'28F002AEy70 '28F200AEy70		'28F002AEy80 '28F200AEy80		UNIT						
		3.3-V V _{CC} RANGE		5-V V _{CC} RANGE		3.3-V V _{CC} RANGE			5-V V _{CC} RANGE					
		MIN	MAX	MIN	MAX	MIN	MAX		MIN	MAX				
t _a (A) Access time from A0–A16 (see Note 15)	t _{AVQV}		110		60		130		70		150		80	ns
t _a (E) Access time from \bar{E}	t _{ELQV}		110		60		130		70		150		80	ns
t _a (G) Access time from \bar{G}	t _{GLQV}		65		35		80		40		90		40	ns
t _c (R) Cycle time, read	t _{AVAV}	110		60		130		70		150		80		ns
t _d (E) Delay time, \bar{E} low to low-impedance output	t _{ELQX}	0		0		0		0		0		0		ns
t _d (G) Delay time, \bar{G} low to low-impedance output	t _{GLQX}	0		0		0		0		0		0		ns
t _{dis} (E) Disable time, \bar{E} to high-impedance output	t _{EHQZ}		55		25		70		30		80		30	ns
t _{dis} (G) Disable time, \bar{G} to high-impedance output	t _{GHQZ}		45		25		55		30		60		30	ns
t _h (D) Hold time, DQ valid from A0–A16, \bar{E} , or \bar{G} , whichever occurs first (see Note 15)	t _{AXQX}	0		0		0		0		0		0		ns
t _{su} (EB) Setup time, $\overline{\text{BYTE}}$ from \bar{E} low	t _{ELFL} t _{ELFH}		5		5		5		5		5		5	ns
t _d (RP) Output delay time from $\overline{\text{RP}}$ high	t _{PHQV}	800		450		800		450		800		450		ns
t _{dis} (BL) Disable time, $\overline{\text{BYTE}}$ low to DQ8–DQ15 in high-impedance state	t _{FLQZ}		45		25		55		30		60		30	ns
t _a (BH) Access time from $\overline{\text{BYTE}}$ going high	t _{FHQV}		110		60		130		70		150		80	ns

NOTE 15: A_{L1} – A16 for byte-wide

timing requirements for TMS28F002Ay and TMS28F200Ay over recommended ranges of supply voltage (commercial and extended temperature ranges)

write/erase operations — \overline{W} -controlled writes

	ALT. SYMBOL	'28F002Ay60 '28F200Ay60				'28F002Ay70 '28F200Ay70				'28F002Ay80 '28F200Ay80				UNIT	
		3.3-V V _{CC} RANGE		5-V V _{CC} RANGE		3.3-V V _{CC} RANGE		5-V V _{CC} RANGE		3.3-V V _{CC} RANGE		5-V V _{CC} RANGE			
		MIN	MAX	MIN	MAX	MIN	MAX	MIN	MAX	MIN	MAX	MIN	MAX		
t _{c(W)}	Cycle time, write	t _{AVAV}	110		60		130		70		150		80	ns	
t _{c(W)OP}	Cycle time, duration of programming operation	t _{WHQV1}	6		6		6		6		6		6	μs	
t _{c(W)ERB}	Cycle time, erase operation (boot block)	t _{WHQV2}	0.3		0.3		0.3		0.3		0.3		0.3	s	
t _{c(W)ERP}	Cycle time, erase operation (parameter block)	t _{WHQV3}	0.3		0.3		0.3		0.3		0.3		0.3	s	
t _{c(W)ERM}	Cycle time, erase operation (main block)	t _{WHQV4}	0.6		0.6		0.6		0.6		0.6		0.6	s	
t _{d(RPR)}	Delay time, boot-block relock	t _{PHBR}		200		100		200		100		200		100	ns
t _{h(A)}	Hold time, A0–A16 (see Note 15)	t _{WHAX}	0		0		0		0		0		0	ns	
t _{h(D)}	Hold time, DQ valid	t _{WHDX}	0		0		0		0		0		0	ns	
t _{h(E)}	Hold time, \overline{E}	t _{WHEH}	0		0		0		0		0		0	ns	
t _{h(VPP)}	Hold time, V _{PP} from valid status register bit	t _{QVVL}	0		0		0		0		0		0	ns	
t _{h(RP)}	Hold time, \overline{RP} at V _{HH} from valid status register bit	t _{QVPH}	0		0		0		0		0		0	ns	
t _{h(WP)}	Hold time, \overline{WP} from valid status register bit	t _{WHPL}	0		0		0		0		0		0	ns	
t _{su(WP)}	Setup time, \overline{WP} before write operation	t _{ELPH}	90		50		105		50		120		50	ns	
t _{su(A)}	Setup time, A0–A16 (see Note 15)	t _{AVWH}	90		50		105		50		120		50	ns	
t _{su(D)}	Setup time, DQ	t _{DVWH}	90		50		105		50		120		50	ns	

NOTE 15: A_{L1} – A16 for byte-wide

timing requirements for TMS28F002AEy and TMS28F200AEy over recommended ranges of supply voltage (commercial and extended temperature ranges) (continued)

write/erase operations — \overline{W} -controlled writes (continued)

	ALT. SYMBOL	'28F002AEy60 '28F200AEy60		'28F002AEy70 '28F200AEy70		'28F002AEy80 '28F200AEy80		UNIT		
		3.3-V V _{CC} RANGE		5-V V _{CC} RANGE		3.3-V V _{CC} RANGE			5-V V _{CC} RANGE	
		MIN	MAX	MIN	MAX	MIN	MAX		MIN	MAX
t _{su(E)}	Setup time, \overline{E} before write operation	t _{ELWL}	0	0	0	0	0	0	ns	
t _{su(RP)}	Setup time, \overline{RP} at V _{HH} to \overline{W} going high	t _{PHHWH}	200	100	200	100	200	100	ns	
t _{su(VPP)1}	Setup time, V _{PP} to \overline{W} going high	t _{VPWH}	200	100	200	100	200	100	ns	
t _{w(W)}	Pulse duration, \overline{W} low	t _{WLWH}	90	50	105	50	120	50	ns	
t _{w(WH)}	Pulse duration, \overline{W} high	t _{WHWL}	20	10	25	20	30	30	ns	
t _{rec(RPHW)}	Recovery time, \overline{RP} high to \overline{W} going low	t _{PHWL}	800	450	800	450	800	450	ns	

NOTE 15: A_{L1} – A16 for byte-wide

timing requirements for TMS28F002AEy and TMS28F200AEy over recommended ranges of supply voltage (commercial and extended temperature ranges) (continued)

write/erase operations — \bar{E} -controlled writes

	ALT. SYMBOL	'28F002AEy60 '28F200AEy60				'28F002AEy70 '28F200AEy70				'28F002AEy80 '28F200AEy80				UNIT	
		3.3-V V _{CC} RANGE		5-V V _{CC} RANGE		3.3-V V _{CC} RANGE		5-V V _{CC} RANGE		3.3-V V _{CC} RANGE		5-V V _{CC} RANGE			
		MIN	MAX	MIN	MAX	MIN	MAX	MIN	MAX	MIN	MAX	MIN	MAX		
t _c (E)	Cycle time, write	t _{AVAV}	110		60		130		70		150		80	ns	
t _c (E)OP	Cycle time, duration of programming operation	t _{EHQV1}	6		6		6		6		6		6	μs	
t _c (E)ERB	Cycle time, erase operation (boot block)	t _{EHQV2}	0.3		0.3		0.3		0.3		0.3		0.3	s	
t _c (E)ERP	Cycle time, erase operation (parameter block)	t _{EHQV3}	0.3		0.3		0.3		0.3		0.3		0.3	s	
t _c (E)ERM	Cycle time, erase operation (main block)	t _{EHQV4}	0.6		0.6		0.6		0.6		0.6		0.6	s	
t _d (RPR)	Delay time, boot-block relock	t _{PHBR}		200		100		200		100		200		100	ns
t _h (A)	Hold time, A0–A16 (see Note 15)	t _{EHAX}	0		0		0		0		0		0	ns	
t _h (D)	Hold time, DQ valid	t _{EHDX}	0		0		0		0		0		0	ns	
t _h (W)	Hold time, \bar{W}	t _{EHWH}	0		0		0		0		0		0	ns	
t _h (VPP)	Hold time, V _{PP} from valid status-register bit	t _{QVVL}	0		0		0		0		0		0	ns	
t _h (RP)	Hold time, $\bar{R}\bar{P}$ at V _{HH} from valid status-register bit	t _{QVPH}	0		0		0		0		0		0	ns	
t _h (WP)	Hold time, $\bar{W}\bar{P}$ from valid status register bit	t _{WHPL}	0		0		0		0		0		0	ns	
t _{su} (WP)	Setup time, $\bar{W}\bar{P}$ before write operation	t _{ELPH}	90		50		105		50		120		50	ns	
t _{su} (A)	Setup time, A0–A16 (see Note 15)	t _{AVEH}	90		50		105		50		120		50	ns	
t _{su} (D)	Setup time, DQ	t _{DVEH}	90		50		105		50		120		50	ns	
t _{su} (W)	Setup time, \bar{W} before write operation	t _{WLEL}	0		0		0		0		0		0	ns	
t _{su} (RP)	Setup time, $\bar{R}\bar{P}$ at V _{HH} to \bar{E} going high	t _{PHHEH}	200		100		200		100		200		100	ns	
t _{su} (VPP)2	Setup time, V _{PP} to \bar{E} going high	t _{VPEH}	200		100		200		100		200		100	ns	
t _w (E)	Pulse duration, \bar{E} low	t _{ELEH}	90		50		105		50		120		50	ns	

NOTE 15: A_L1 – A16 for byte-wide

timing requirements for TMS28F002AEy and TMS28F200AEy over recommended ranges of supply voltage (commercial and extended temperature ranges) (continued)

write/erase operations — \bar{E} -controlled writes (continued)

	ALT. SYMBOL	'28F002AEy60 '28F200AEy60		'28F002AEy70 '28F200AEy70		'28F002AEy80 '28F200AEy80		UNIT		
		3.3-V V _{CC} RANGE		5-V V _{CC} RANGE		3.3-V V _{CC} RANGE			5-V V _{CC} RANGE	
		MIN	MAX	MIN	MAX	MIN	MAX		MIN	MAX
t _w (EH) Pulse duration, \bar{E} high	t _{EHEL}	20	10	25	20	30	30	ns		
t _{rec} (RPHE) Recovery time, R \bar{P} high to \bar{E} going low	t _{PHEL}	800	450	800	450	800	450	ns		

NOTE 15: A_{L1} – A16 for byte-wide

TMS28F002Axy, TMS28F200Axy
262144 BY 8-BIT/131072 BY 16-BIT
AUTO-SELECT BOOT-BLOCK FLASH MEMORIES

SMJS826D – JANUARY 1996 – REVISED SEPTEMBER 1997

TMS28F002AMy and TMS28F200AMy

The TMS28F002AMy and TMS28F200AMy configurations offer a 3-V or 5-V memory read with a 12-V program and erase. These configurations are intended for low 3.3-V reads and the fast programming offered with the 12-V V_{PP} and 5-V V_{CC} . The configurations are offered in two different temperature ranges: 0°C to 70°C and –40°C to 85°C.

recommended operating conditions for TMS28F002AMy and TMS28F200AMy

			MIN	NOM	MAX	UNIT	
V_{CC}	Supply voltage	During write/read/erase/erase-suspend	3.3-V V_{CC} range	3	3.3	3.6	V
			5-V V_{CC} range	4.5	5	5.5	
V_{PP}	Supply voltage	During read only (V_{PPL})	V_{PPL}	0		6.5	V
		During write/erase/erase-suspend	12-V V_{PP} range	11.4	12	12.6	
V_{IH}	High-level dc input voltage	3.3-V V_{CC} range	TTL	2		$V_{CC} + 0.5$	V
			CMOS	$V_{CC} - 0.2$		$V_{CC} + 0.2$	
		5-V V_{CC} range	TTL	2		$V_{CC} + 0.3$	
			CMOS	$V_{CC} - 0.2$		$V_{CC} + 0.2$	
V_{IL}	Low-level dc input voltage	3.3-V V_{CC} range	TTL	–0.5		0.8	V
			CMOS	$V_{SS} - 0.2$		$V_{SS} + 0.2$	
		5-V V_{CC} range	TTL	–0.3		0.8	
			CMOS	$V_{SS} - 0.2$		$V_{SS} + 0.2$	
V_{LKO}	V_{CC} lock-out voltage from write/erase			2		V	
V_{HH}	RP unlock voltage			11.4	12	13	V
V_{PPLK}	V_{PP} lock-out voltage from write/erase			0		1.5	V
T_A	Operating free-air temperature during read/erase/program	L suffix		0		70	°C
		E suffix		–40		85	°C

NOTE 7.: Minimum value at $T_A = 25^\circ\text{C}$.

word/byte typical write and block-erase performance for TMS28F002AMy and TMS28F200AMy (see Notes 8 and 9)

PARAMETER	12-V V_{PP} RANGE				
	3.3-V V_{CC} RANGE			5-V V_{CC} RANGE	
	MIN	TYP	MAX	TYP	MAX
Main block erase time		1.3		1.1	14
Main block byte-program time		1.6		1.2	4.2
Main block word-program time		0.8		0.6	2.1
Parameter/boot block-erase time		0.44		0.34	7

NOTES: 8. Typical values shown are at $T_A = 25^\circ\text{C}$ and nominal conditions.

9. Excludes system-level overhead (all times in seconds).



electrical characteristics for TMS28F002AMy and TMS28F200AMy over recommended ranges of supply voltage and operating free-air temperature, using test conditions given in Table 9 (unless otherwise noted)

PARAMETER		TEST CONDITIONS		MIN	MAX	UNIT
V _{OH}	High-level dc output voltage	TTL	V _{CC} = V _{CCMIN} , I _{OH} = – 2.5 mA	2.4		V
		CMOS	V _{CC} = V _{CCMIN} , I _{OH} = – 100 μA	V _{CC} – 0.4		
V _{OL}	Low-level dc output voltage		V _{CC} = V _{CCMIN} , I _{OL} = 5.8 mA		0.45	V
V _{ID}	A9 selection code voltage		During read algorithm-selection mode	11.4	12.6	V
I _I	Input current (leakage), except for A9 when A9 = V _{ID} (see Note 10)		V _{CC} = V _{CCMAX} , V _I = 0 V to V _{CCMAX} , \overline{RP} = V _{HH}		±1	μA
I _{ID}	A9 selection code current		A9 = V _{ID}		500	μA
I _{RP}	\overline{RP} boot-block unlock current		\overline{RP} = V _{HH}		500	μA
I _O	Output current (leakage)		V _{CC} = V _{CCMAX} , V _O = 0 V to V _{CCMAX}		±10	μA
I _{PPS}	V _{PP} standby current (standby)	V _{PP} ≤ V _{CC}	3.3-V V _{CC} range		15	μA
			5-V V _{CC} range		10	
I _{PPL}	V _{PP} supply current (reset/deep power-down mode)	\overline{RP} = V _{SS} ± 0.2 V, V _{PP} ≤ V _{CC}	3.3-V V _{CC} range		5	μA
			5-V V _{CC} range		5	
I _{PP1}	V _{PP} supply current (active read)	V _{PP} ≥ V _{CC}	3.3-V V _{CC} range		200	μA
			5-V V _{CC} range		200	
I _{PP2}	V _{PP} supply current (active byte-write) (see Notes 11 and 12)	Programming in progress	12-V V _{PP} range, 3.3-V V _{CC} range		25	mA
			12-V V _{PP} range, 5-V V _{CC} range		20	
I _{PP3}	V _{PP} supply current (active word-write) (see Notes 11 and 12)	Programming in progress	12-V V _{PP} range, 3.3-V V _{CC} range		25	mA
			12-V V _{PP} range, 5-V V _{CC} range		20	

- NOTES: 10. DQ15/A₁ is tested for output leakage only.
11. Characterization data available
12. All ac current values are RMS unless otherwise noted.

TMS28F002Axy, TMS28F200Axy
262144 BY 8-BIT/131072 BY 16-BIT
AUTO-SELECT BOOT-BLOCK FLASH MEMORIES

SMJS826D – JANUARY 1996 – REVISED SEPTEMBER 1997

electrical characteristics for TMS28F002AMy and TMS28F200AMy over recommended ranges of supply voltage and operating free-air temperature, using test conditions given in Table 9 (unless otherwise noted) (continued)

PARAMETER		TEST CONDITIONS	MIN	MAX	UNIT
I _{PP4}	V _{PP} supply current (block-erase) (see Notes 11 and 12)	Block-erase in progress	12-V V _{PP} range, 3.3-V V _{CC} range	25	mA
			12-V V _{PP} range, 5-V V _{CC} range	15	
I _{PP5}	V _{PP} supply current (erase-suspend) (see Notes 11 and 12)	Block-erase suspended	12-V V _{PP} range, 3.3-V V _{CC} range	200	μA
			12-V V _{PP} range, 5-V V _{CC} range	200	
I _{CCS}	V _{CC} supply current (standby)	TTL-input level V _{CC} = V _{CCMAX} , E = RP = V _{IH}	3.3-V V _{CC} range	1.5	mA
			5-V V _{CC} range	2	mA
			3.3-V V _{CC} range	110	μA
			5-V V _{CC} range	130	μA
I _{CCL}	V _{CC} supply current (reset/deep power-down mode)	RP = V _{SS} ± 0.2 V	0°C to 70°C	8	μA
			-40°C to 85°C	8	
I _{CC1}	V _{CC} supply current (active read)	TTL-input level	E = V _{IL} , G = V _{IH} , I _{OUT} = 0 mA, f = 5 MHz, 3.3-V V _{CC} range	30	mA
			E = V _{IL} , G = V _{IH} , I _{OUT} = 0 mA, f = 10 MHz, 5-V V _{CC} range	65	
		CMOS-input level	E = V _{SS} , G = V _{CC} , I _{OUT} = 0 mA, f = 5 MHz, 3.3-V V _{CC} range	30	mA
			E = V _{SS} , G = V _{CC} , I _{OUT} = 0 mA, f = 10 MHz, 5-V V _{CC} range	60	
I _{CC2}	V _{CC} supply current (active byte-write) (see Notes 11 and 12)	V _{CC} = V _{CCMAX} , Programming in progress	12-V V _{PP} range, 3.3-V V _{CC} range	25	mA
			12-V V _{PP} range, 5-V V _{CC} range	45	
I _{CC3}	V _{CC} supply current (active word-write) (see Notes 11 and 12)	V _{CC} = V _{CCMAX} , Programming in progress	12-V V _{PP} range, 3.3-V V _{CC} range	25	mA
			12-V V _{PP} range, 5-V V _{CC} range	45	
I _{CC4}	V _{CC} supply current (block-erase) (see Notes 11 and 12)	V _{CC} = V _{CCMAX} , Block-erase in progress	12-V V _{PP} range, 3.3-V V _{CC} range	25	mA
			12-V V _{PP} range, 5-V V _{CC} range	30	
I _{CC5}	V _{CC} supply current (erase-suspend) (see Notes 11 and 12)	V _{CC} = V _{CCMAX} , E = V _{IH} , Block-erase suspended	3.3-V V _{CC} range	8	mA
			5-V V _{CC} range	10	

NOTES: 11. Characterization data available
12. All ac current values are RMS unless otherwise noted.



power-up and reset switching characteristics for TMS28F002AMy and TMS28F200AMy over recommended ranges of supply voltage (commercial and extended temperature ranges) (see Notes 11, 12, and 13) (see Table 9 and Figure 7)

PARAMETER	ALT. SYMBOL	'28F002AMy 60 '28F200AMy 60		'28F002AMy 70 '28F200AMy 70		'28F002AMy 80 '28F200AMy 80		UNIT				
		3.3-V V _{CC} RANGE		5-V V _{CC} RANGE		3.3 V V _{CC} RANGE			5-V V _{CC} RANGE			
		MIN	MAX	MIN	MAX	MIN	MAX		MIN	MAX		
t _{su} (VCC) Setup time, \overline{RP} low to V _{CC} at 4.5 V MIN (to V _{CC} at 3 V MIN or 3.6 V MAX) (see Note 14)	t _{PL5V} t _{PL3V}	0		0		0		0		ns		
t _a (DV) Access time from address valid to data valid for V _{CC} = 5 V ± 10%	t _{AVQV}		110		60		130		70	150	80	ns
t _{su} (DV) Setup time, \overline{RP} high to data valid for V _{CC} = 5 V ± 10%	t _{PHQV}		800		450		800		450	800	450	ns
t _h (RP5) Hold time, V _{CC} at 4.5 V (MIN) to \overline{RP} high	t _{5VPH}	2		2		2		2		2		μs
t _h (RP3) Hold time, V _{CC} at 3 V (MIN) to \overline{RP} high	t _{3VPH}	2		2		2		2		2		μs

- NOTES: 11. Characterization data available
 12. All ac current values are RMS unless otherwise noted.
 13. \overline{E} and \overline{G} are switched low after power up.
 14. The power supply can switch low concurrently with \overline{RP} going low.

switching characteristics for TMS28F002Axy and TMS28F200Axy over recommended ranges of supply voltage (commercial and extended temperature ranges) (see Table 9 and Figure 7)

read operations

PARAMETER	ALT. SYMBOL	'28F002Axy60 '28F200Axy60				'28F002Axy70 '28F200Axy70				'28F002Axy80 '28F200Axy80				UNIT
		3.3-V V _{CC} RANGE		5-V V _{CC} RANGE		3.3-V V _{CC} RANGE		5-V V _{CC} RANGE		3.3-V V _{CC} RANGE		5-V V _{CC} RANGE		
		MIN	MAX	MIN	MAX	MIN	MAX	MIN	MAX	MIN	MAX	MIN	MAX	
t _a (A) Access time from A0–A16 (see Note 15)	t _{AVQV}	110		60		130		70		150		80		ns
t _a (E) Access time from \bar{E}	t _{ELQV}	110		60		130		70		150		80		ns
t _a (G) Access time from \bar{G}	t _{GLQV}	65		35		80		40		90		40		ns
t _c (R) Cycle time, read	t _{AVAV}	110		60		130		70		150		80		ns
t _d (E) Delay time, \bar{E} low to low-impedance output	t _{ELQX}	0		0		0		0		0		0		ns
t _d (G) Delay time, \bar{G} low to low-impedance output	t _{GLQX}	0		0		0		0		0		0		ns
t _{dis} (E) Disable time, \bar{E} to high-impedance output	t _{EHQZ}	55		25		70		30		80		30		ns
t _{dis} (G) Disable time, \bar{G} to high-impedance output	t _{GHQZ}	45		25		55		30		60		30		ns
t _h (D) Hold time, DQ valid from A0–A16, \bar{E} , or \bar{G} , whichever occurs first (see Note 15)	t _{AXQX}	0		0		0		0		0		0		ns
t _{su} (EB) Setup time, $\overline{\text{BYTE}}$ from \bar{E} low	t _{ELFL} t _{ELFH}	5		5		5		5		5		5		ns
t _d (RP) Output delay time from $\overline{\text{RP}}$ high	t _{PHQV}	800		450		800		450		800		450		ns
t _{dis} (BL) Disable time, $\overline{\text{BYTE}}$ low to DQ8–DQ15 in high-impedance state	t _{FLQZ}	45		25		55		30		60		30		ns
t _a (BH) Access time from $\overline{\text{BYTE}}$ going high	t _{FHQV}	110		60		130		70		150		80		ns

NOTE 15: A_{L-1} – A16 for byte-wide

timing requirements for TMS28F002AMy and TMS28F200AMy (commercial and extended temperature ranges)

write/erase operations — \overline{W} -controlled writes

	ALT. SYMBOL	'28F002AMy60 '28F200AMy60				'28F002AMy70 '28F200AMy70				'28F002AMy80 '28F200AMy80				UNIT
		3.3-V V _{CC} RANGE		5-V V _{CC} RANGE		3.3-V V _{CC} RANGE		5-V V _{CC} RANGE		3.3-V V _{CC} RANGE		5-V V _{CC} RANGE		
		MIN	MAX	MIN	MAX	MIN	MAX	MIN	MAX	MIN	MAX	MIN	MAX	
t _c (W)	Cycle time, write	t _{AVAV}	110	60	130	70	150	80	ns					
t _c (W)OP	Cycle time, duration of programming operation	t _{WHQV1}	6	6	6	6	6	6	μs					
t _c (W)ERB	Cycle time, erase operation (boot block)	t _{WHQV2}	0.3	0.3	0.3	0.3	0.3	0.3	s					
t _c (W)ERP	Cycle time, erase operation (parameter block)	t _{WHQV3}	0.3	0.3	0.3	0.3	0.3	0.3	s					
t _c (W)ERM	Cycle time, erase operation (main block)	t _{WHQV4}	0.6	0.6	0.6	0.6	0.6	0.6	s					
t _d (RPR)	Delay time, boot-block relock	t _{PHBR}	200	100	200	100	200	100	ns					
t _h (A)	Hold time, A0–A16 (see Note 15)	t _{WHAX}	0	0	0	0	0	0	ns					
t _h (D)	Hold time, DQ valid	t _{WHDX}	0	0	0	0	0	0	ns					
t _h (E)	Hold time, \overline{E}	t _{WHEH}	0	0	0	0	0	0	ns					
t _h (VPP)	Hold time, V _{PP} from valid status register bit	t _{QVVL}	0	0	0	0	0	0	ns					
t _h (RP)	Hold time, \overline{RP} at V _{HH} from valid status register bit	t _{QVPH}	0	0	0	0	0	0	ns					
t _{su} (A)	Setup time, A0–A16 (see Note 15)	t _{AVWH}	90	50	105	50	120	50	ns					
t _{su} (D)	Setup time, DQ	t _{DVWH}	90	50	105	50	120	50	ns					
t _{su} (E)	Setup time, \overline{E} before write operation	t _{ELWL}	0	0	0	0	0	0	ns					
t _{su} (RP)	Setup time, \overline{RP} at V _{HH} to \overline{W} going high	t _{PHHWH}	200	100	200	100	200	100	ns					
t _{su} (VPP)1	Setup time, V _{PP} to \overline{W} going high	t _{VPWH}	200	100	200	100	200	100	ns					
t _w (W)	Pulse duration, \overline{W} low	t _{WLWH}	90	50	105	50	120	50	ns					
t _w (WH)	Pulse duration, \overline{W} high	t _{WHWL}	20	10	25	20	30	30	ns					
t _{rec} (RPHW)	Recovery time, \overline{RP} high to \overline{W} going low	t _{PHWL}	800	450	800	450	800	450	ns					

NOTE 15: A_{L1} – A16 for byte-wide

timing requirements for TMS28F002Axy and TMS28F200Axy (commercial and extended temperature ranges)

write/erase operations — \bar{E} -controlled writes

	ALT. SYMBOL	'28F002Axy60 '28F200Axy60				'28F002Axy70 '28F200Axy70				'28F002Axy80 '28F200Axy80				UNIT	
		3.3-V V _{CC} RANGE		5-V V _{CC} RANGE		3.3-V V _{CC} RANGE		5-V V _{CC} RANGE		3.3-V V _{CC} RANGE		5-V V _{CC} RANGE			
		MIN	MAX	MIN	MAX	MIN	MAX	MIN	MAX	MIN	MAX	MIN	MAX		
t _c (E)	Cycle time, write	t _{AVAV}	110		60		130		70		150		80	ns	
t _c (E)OP	Cycle time, duration of programming operation	t _{EHQV1}	6		6		6		6		6		6	μs	
t _c (E)ERB	Cycle time, erase operation (boot block)	t _{EHQV2}	0.3		0.3		0.3		0.3		0.3		0.3	s	
t _c (E)ERP	Cycle time, erase operation (parameter block)	t _{EHQV3}	0.3		0.3		0.3		0.3		0.3		0.3	s	
t _c (E)ERM	Cycle time, erase operation (main block)	t _{EHQV4}	0.6		0.6		0.6		0.6		0.6		0.6	s	
t _d (RPR)	Delay time, boot-block relock	t _{PHBR}		200		100		200		100		200		100	ns
t _h (A)	Hold time, A0–A16 (see Note 15)	t _{EHAX}	0		0		0		0		0		0	ns	
t _h (D)	Hold time, DQ valid	t _{EHDX}	0		0		0		0		0		0	ns	
t _h (W)	Hold time, \bar{W}	t _{EHWH}	0		0		0		0		0		0	ns	
t _h (VPP)	Hold time, V _{PP} from valid status-register bit	t _{QVVL}	0		0		0		0		0		0	ns	
t _h (RP)	Hold time, \bar{RP} at V _{HH} from valid status-register bit	t _{QVPH}	0		0		0		0		0		0	ns	
t _{su} (A)	Setup time, A0–A16 (see Note 15)	t _{AVEH}	90		50		105		50		120		50	ns	
t _{su} (D)	Setup time, DQ	t _{DVEH}	90		50		105		50		120		50	ns	
t _{su} (W)	Setup time, \bar{W} before write operation	t _{WLEL}	0		0		0		0		0		0	ns	
t _{su} (RP)	Setup time, \bar{RP} at V _{HH} to \bar{E} going high	t _{PHHEH}	200		100		200		100		200		100	ns	
t _{su} (VPP)2	Setup time, V _{PP} to \bar{E} going high	t _{VPEH}	200		100		200		100		200		100	ns	

NOTE 15: A_{L1} – A16 for byte-wide

timing requirements for TMS28F002AMy and TMS28F200AMy (commercial and extended temperature ranges) (continued)

write/erase operations — \bar{E} -controlled writes

	ALT. SYMBOL	'28F002AMy 60 '28F200AMy 60		'28F002AMy 70 '28F200AMy 70		'28F002AMy 80 '28F200AMy 80		UNIT		
		3.3-V V _{CC} RANGE		5-V V _{CC} RANGE		3.3-V V _{CC} RANGE			5-V V _{CC} RANGE	
		MIN	MAX	MIN	MAX	MIN	MAX		MIN	MAX
t _w (E)	Pulse duration, \bar{E} low	tELEH	90	50	105	50	120	50	ns	
t _w (EH)	Pulse duration, \bar{E} high	tEHEL	20	10	25	20	30	30	ns	
t _{rec} (RPHE)	Recovery time, $\bar{R}\bar{P}$ high to \bar{E} going low	tPHEL	800	450	800	450	800	450	ns	

NOTE 15: A_{L1} – A16 for byte-wide

TMS28F002Axy, TMS28F200Axy
262144 BY 8-BIT/131072 BY 16-BIT
AUTO-SELECT BOOT-BLOCK FLASH MEMORIES

SMJS826D – JANUARY 1996 – REVISED SEPTEMBER 1997

TMS28F002AFy and TMS28F200AFy

The TMS28F002AFy and TMS28F200AFy configurations offer a 5-V memory read with a 5-V or 12-V program and erase. These configurations are intended for systems using a single 5-V power supply. The configurations are offered in all three temperature ranges: 0°C to 70°C, – 40°C to 85°C, and – 40°C to 125°C.

recommended operating conditions for TMS28F002AFy and TMS28F200AFy

				MIN	NOM	MAX	UNIT
V _{CC}	Supply voltage	During write/read/erase/erase-suspend	5-V V _{CC} range	4.5	5	5.5	V
V _{PP}	Supply voltage	During read only (V _{PP} L)	V _{PP} L	0		6.5	V
		During write/erase/erase-suspend	5-V V _{PP} range	4.5	5	5.5	
			12-V V _{PP} range	11.4	12	12.6	
V _{IH}	High-level dc input voltage	TTL		2		V _{CC} + 0.3	V
		CMOS		V _{CC} – 0.2		V _{CC} + 0.2	
V _{IL}	Low-level dc input voltage	TTL		– 0.3		0.8	V
		CMOS		V _{SS} – 0.2		V _{SS} + 0.2	
V _{LKO}	V _{CC} lock-out voltage from write/erase (See Note 7)			2			V
V _{HH}	RP unlock voltage			11.4	12	13	V
V _{PPLK}	V _{PP} lock-out voltage from write/erase			0		1.5	V
T _A	Operating free-air temperature during read/erase/program	L suffix		0		70	°C
		E suffix		– 40		85	
		Q suffix		– 40		125	

NOTE 7: Minimum value at T_A = 25°C.

word/byte typical write and block-erase performance for TMS28F002AFy and TMS28F200AFy (see Notes 8 and 9)

PARAMETER	5-V V _{PP} AND 5-V V _{CC} RANGES			12-V V _{PP} AND 5-V V _{CC} RANGES		
	MIN	TYP	MAX	MIN	TYP	MAX
Main block erase time		1.9			1.1	14
Main block byte-program time		1.4			1.2	4.2
Main block word-program time		0.9			0.6	2.1
Parameter/boot-block erase time		0.8			0.34	7

NOTES: 8. Typical values shown are at T_A = 25°C and nominal conditions.

9. Excludes system-level overhead (all times in seconds)



electrical characteristics for TMS28F002AFy and TMS28F200AFy over recommended ranges of supply voltage and operating free-air temperature, using test conditions given in Table 9 (unless otherwise noted)

PARAMETER		TEST CONDITIONS		MIN	MAX	UNIT	
V _{OH}	High-level dc output voltage	TTL	V _{CC} = V _{CCMIN} , I _{OH} = -2.5 mA	2.4		V	
		CMOS	V _{CC} = V _{CCMIN} , I _{OH} = -100 μA	V _{CC} - 0.4			
V _{OL}	Low-level dc output voltage	V _{CC} = V _{CCMIN} , I _{OL} = 5.8 mA			0.45	V	
V _{ID}	A9 selection code voltage	During read algorithm-selection mode		11.4	12.6	V	
I _I	Input current (leakage), except for A9 when A9 = V _{ID} (see Note 10)	V _{CC} = V _{CCMAX} , V _I = 0 V to V _{CCMAX} , $\overline{R\overline{P}}$ = V _{HH}			±1	μA	
I _{ID}	A9 selection code current	A9 = V _{ID}			500	μA	
I _{RP}	$\overline{R\overline{P}}$ boot-block unlock current	$\overline{R\overline{P}}$ = V _{HH}			500	μA	
I _O	Output current (leakage)	V _{CC} = V _{CCMAX} , V _O = 0 V to V _{CCMAX}			±10	μA	
I _{PPS}	V _{PP} standby current (standby)	V _{PP} ≤ V _{CC}	5-V V _{CC} range		10	μA	
I _{PPL}	V _{PP} supply current (reset/deep power-down mode)	$\overline{R\overline{P}}$ = V _{SS} ± 0.2 V, V _{PP} ≤ V _{CC}	5-V V _{CC} range		5	μA	
I _{PP1}	V _{PP} supply current (active read)	V _{PP} ≥ V _{CC}	5-V V _{CC} range		200	μA	
I _{PP2}	V _{PP} supply current (active byte-write) (see Notes 11 and 12)	Programming in progress	5-V V _{PP} range, 5-V V _{CC} range		25	mA	
			12-V V _{PP} range, 5-V V _{CC} range		20		
I _{PP3}	V _{PP} supply current (active word-write) (see Notes 11 and 12)	Programming in progress	5-V V _{PP} range, 5-V V _{CC} range		25	mA	
			12-V V _{PP} range, 5-V V _{CC} range		20		
I _{PP4}	V _{PP} supply current (block-erase) (see Notes 11 and 12)	Block-erase in progress	5-V V _{PP} range, 5-V V _{CC} range		20	mA	
			12-V V _{PP} range, 5-V V _{CC} range		15		
I _{PP5}	V _{PP} supply current (erase-suspend) (see Notes 11 and 12)	Block-erase suspended	5-V V _{PP} range, 5-V V _{CC} range		200	μA	
			12-V V _{PP} range, 5-V V _{CC} range		200		
I _{CCS}	V _{CC} supply current (standby)	TTL-input level	V _{CC} = V _{CCmax} , \overline{E} = $\overline{R\overline{P}}$ = V _{IH}	5-V V _{CC} range		2	mA
		CMOS-input level		5-V V _{CC} range		130	
I _{CCL}	V _{CC} supply current (reset/deep power-down mode)	$\overline{R\overline{P}}$ = V _{SS} ± 0.2 V	0°C to 70°C		8	μA	
			-40°C to 85°C		8		
			-40°C to 125°C		30		
I _{CC1}	V _{CC} supply current (active read)	TTL-input level	\overline{E} = V _{IL} , \overline{G} = V _{IH} , I _{OUT} = 0 mA, f = 10 MHz, 5-V V _{CC} range		65	mA	
		CMOS-input level	\overline{E} = V _{CC} , \overline{G} = V _{CC} , I _{OUT} = 0 mA, f = 10 MHz, 5-V V _{CC} range		60		

NOTES: 10. DQ15/A₁ is tested for output leakage only.
11. Characterization data available
12. All ac current values are RMS unless otherwise noted.

TMS28F002Axy, TMS28F200Axy
262144 BY 8-BIT/131072 BY 16-BIT
AUTO-SELECT BOOT-BLOCK FLASH MEMORIES

SMJS826D – JANUARY 1996 – REVISED SEPTEMBER 1997

electrical characteristics for TMS28F002AFy and TMS28F200AFy over recommended ranges of supply voltage and operating free-air temperature, using test conditions given in Table 9 (unless otherwise noted) (continued)

PARAMETER		TEST CONDITIONS		MIN	MAX	UNIT
I _{CC2}	V _{CC} supply current (active byte-write) (see Notes 11 and 12)	V _{CC} = V _{CCMAX} , Programming in progress	5-V V _{PP} range, 5-V V _{CC} range		50	mA
			12-V V _{PP} range, 5-V V _{CC} range		45	
I _{CC3}	V _{CC} supply current (active word-write) (see Notes 11 and 12)	V _{CC} = V _{CCMAX} , Programming in progress	5-V V _{PP} range, 5-V V _{CC} range		50	mA
			12-V V _{PP} range, 5-V V _{CC} range		45	
I _{CC4}	V _{CC} supply current (block-erase) (see Notes 11 and 12)	V _{CC} = V _{CCMAX} V _{PP} = 12 V or 5 V Block-erase in progress	5-V V _{PP} range, 5-V V _{CC} range		35	mA
			12-V V _{PP} range, 5-V V _{CC} range		30	
I _{CC5}	V _{CC} supply current (erase-suspend) (see Notes 11 and 12)	V _{CC} = V _{CCMAX} , $\bar{E} = V_{IH}$, Block-erase suspended	5-V V _{CC} range		10	mA

NOTES: 11. Characterization data available
 12. All ac current values are RMS unless otherwise noted.



TMS28F002Axy, TMS28F200Axy
262144 BY 8-BIT/131072 BY 16-BIT
AUTO-SELECT BOOT-BLOCK FLASH MEMORIES

SMJS826D – JANUARY 1996 – REVISED SEPTEMBER 1997

power-up and reset switching characteristics for TMS28F002AFy and TMS28F200AFy over recommended ranges of supply voltage (commercial and extended temperature ranges) (see Notes 11, 12, and 13) (see Table 9 and Figure 7)

PARAMETER	ALT. SYMBOL	'28F002AFy60 '28F200AFy60	'28F002AFy70 '28F200AFy70	'28F002AFy80 '28F200AFy80	UNIT			
		5 V V _{CC} RANGE		5 V V _{CC} RANGE		5 V V _{CC} RANGE		
		MIN	MAX	MIN		MAX	MIN	MAX
t _{su} (V _{CC}) Setup time, \overline{RP} low to V _{CC} at 4.5 V MIN (to V _{CC} at 3 V MIN or 3.6 V MAX) (see Note 14)	t _{PL5V} t _{PL3V}	0	0	0	ns			
t _a (DV) Access time from address valid to data valid for V _{CC} = 5 V ± 10%	t _{AVQV}	60	70	80	ns			
t _{su} (DV) Setup time, \overline{RP} high to data valid for V _{CC} = 5 V ± 10%	t _{PHQV}	450	450	450	ns			
t _h (RP5) Hold time, V _{CC} at 4.5 V (MIN) to \overline{RP} high	t _{5VPH}	2	2	2	μs			

- NOTES: 11. Characterization data available
 12. All ac current values are RMS unless otherwise noted.
 13. \overline{E} and \overline{G} are switched low after power up.
 14. The power supply can switch low concurrently with \overline{RP} going low.

power-up and reset switching characteristics for TMS28F002AFy and TMS28F200AFy over recommended ranges of supply voltage (automotive temperature range) (see Notes 11, 12, 13)

PARAMETER	ALT. SYMBOL	'28F002AFy70 '28F200AFy70	'28F002AFy80 '28F200AFy80	'28F002AFy90 '28F200AFy90	UNIT			
		5 V V _{CC} RANGE		5 V V _{CC} RANGE		5 V V _{CC} RANGE		
		MIN	MAX	MIN		MAX	MIN	MAX
t _{su} (V _{CC}) Setup time, \overline{RP} low to V _{CC} at 4.5 V MIN (to V _{CC} at 3 V MIN or 3.6 V MAX) (see Note 14)	t _{PL5V} t _{PL3V}	0	0	0	ns			
t _a (DV) Access time from address valid to data valid for V _{CC} = 5 V ± 10%	t _{AVQV}	70	80	90	ns			
t _{su} (DV) Setup time, \overline{RP} high to data valid for V _{CC} = 5 V ± 10%	t _{PHQV}	450	450	450	ns			
t _h (RP5) Hold time, V _{CC} at 4.5 V (MIN) to \overline{RP} high	t _{5VPH}	2	2	2	μs			

- NOTES: 11. Characterization data available
 12. All ac current values are RMS unless otherwise noted.
 13. \overline{E} and \overline{G} are switched low after power up.
 14. The power supply can switch low concurrently with \overline{RP} going low.

TMS28F002Axy, TMS28F200Axy
262144 BY 8-BIT/131072 BY 16-BIT
AUTO-SELECT BOOT-BLOCK FLASH MEMORIES

SMJS826D – JANUARY 1996 – REVISED SEPTEMBER 1997

switching characteristics for TMS28F002AFy and TMS28F200AFy over recommended ranges of supply voltage (commercial and extended temperature ranges) (see Table 9 and Figure 7)

read operations

PARAMETER	ALT. SYMBOL	'28F002AFy60 '28F200AFy60	'28F002AFy70 '28F200AFy70	'28F002AFy80 '28F200AFy80	UNIT	
		5-V V _{CC} RANGE		5-V V _{CC} RANGE		
		MIN	MAX	MIN		MAX
t _a (A) Access time from A0–A16 (see Note 15)	t _{AVQV}	60		70	80	ns
t _a (E) Access time from \bar{E}	t _{ELQV}	60		70	80	ns
t _a (G) Access time from \bar{G}	t _{GLQV}	35		40	40	ns
t _c (R) Cycle time, read	t _{AVAV}	60		70	80	ns
t _d (E) Delay time, \bar{E} low to low-impedance output	t _{ELQX}	0		0	0	ns
t _d (G) Delay time, \bar{G} low to low-impedance output	t _{GLQX}	0		0	0	ns
t _{dis} (E) Disable time, \bar{E} to high-impedance output	t _{EHQZ}	25		30	30	ns
t _{dis} (G) Disable time, \bar{G} to high-impedance output	t _{GHQZ}	25		30	30	ns
t _h (D) Hold time, DQ valid from A0–A16, \bar{E} , or \bar{G} , whichever occurs first (see Note 15)	t _{AXQX}	0		0	0	ns
t _{su} (EB) Setup time, $\overline{\text{BYTE}}$ from \bar{E} low	t _{ELFL} t _{ELFH}	5		5	5	ns
t _d (RP) Output delay time from $\overline{\text{RP}}$ high	t _{PHQV}	450		450	450	ns
t _{dis} (BL) Disable time, $\overline{\text{BYTE}}$ low to DQ8–DQ15 in the high-impedance state	t _{FLQZ}	25		30	30	ns
t _a (BH) Access time from $\overline{\text{BYTE}}$ going high	t _{FHQV}	60		70	80	ns

NOTE 15: A₁–A16 for byte-wide



switching characteristics for TMS28F200AFy over recommended ranges of supply voltage (automotive temperature range) (see Table 9 and Figure 7)

read operations

PARAMETER	ALT. SYMBOL	'28F002AFy70 '28F200AFy70	'28F002AFy80 '28F200AFy80	'28F002AFy90 '28F200AFy90	UNIT			
		5-V V _{CC} RANGE		5-V V _{CC} RANGE				
		MIN	MAX	MIN		MAX	MIN	MAX
t _a (A) Access time from A0–A16 (see Note 15)	t _{AVQV}	70		80		90		ns
t _a (E) Access time from \bar{E}	t _{ELQV}	70		80		90		ns
t _a (G) Access time from \bar{G}	t _{GLQV}	35		40		35		ns
t _c (R) Cycle time, read	t _{AVAV}	70		80		90		ns
t _d (E) Delay time, \bar{E} low to low-impedance output	t _{ELQX}	0		0		0		ns
t _d (G) Delay time, \bar{G} low to low-impedance output	t _{GLQX}	0		0		0		ns
t _{dis} (E) Disable time, \bar{E} to high-impedance output	t _{EHQZ}	25		30		35		ns
t _{dis} (G) Disable time, \bar{G} to high-impedance output	t _{GHQZ}	25		30		35		ns
t _h (D) Hold time, DQ valid from A0–A16, \bar{E} , or \bar{G} , whichever occurs first (see Note 15)	t _{AXQX}	0		0		0		ns
t _{su} (EB) Setup time, $\overline{\text{BYTE}}$ from \bar{E} low	t _{ELFL} t _{ELFH}	5		5		5		ns
t _d (RP) Output delay time from $\overline{\text{RP}}$ high	t _{PHQV}	300		300		300		ns
t _{dis} (BL) Disable time, $\overline{\text{BYTE}}$ low to DQ8–DQ15 in the high-impedance state	t _{FLQZ}	30		30		35		ns
t _a (BH) Access time from $\overline{\text{BYTE}}$ going high	t _{FHQV}	70		80		90		ns

NOTE 15: A₁–A16 for byte-wide

TMS28F002Axy, TMS28F200Axy
262144 BY 8-BIT/131072 BY 16-BIT
AUTO-SELECT BOOT-BLOCK FLASH MEMORIES

SMJS826D – JANUARY 1996 – REVISED SEPTEMBER 1997

timing requirements for TMS28F002AFy and TMS28F200AFy (commercial and extended temperature ranges)

write/erase operations — \overline{W} -controlled writes

	ALT. SYMBOL	'28F002AFy60 '28F200AFy60	'28F002AFy70 '28F200AFy70	'28F002AFy80 '28F200AFy80	UNIT			
		5-V V_{CC} RANGE		5-V V_{CC} RANGE		5-V V_{CC} RANGE		
		MIN	MAX	MIN		MAX	MIN	MAX
$t_c(W)$ Cycle time, write	t_{AVAV}	60	70	80	ns			
$t_c(W)_{OP}$ Cycle time, duration of programming operation	t_{WHQV1}	6	6	6	μs			
$t_c(W)_{ERB}$ Cycle time, erase operation (boot block)	t_{WHQV2}	0.3	0.3	0.3	s			
$t_c(W)_{ERP}$ Cycle time, erase operation (parameter block)	t_{WHQV3}	0.3	0.3	0.3	s			
$t_c(W)_{ERM}$ Cycle time, erase operation (main block)	t_{WHQV4}	0.6	0.6	0.6	s			
$t_d(RPR)$ Delay time, boot-block relock	t_{PHBR}	100	100	100	ns			
$t_h(A)$ Hold time, A0–A16 (see Note 15)	t_{WHAX}	0	0	0	ns			
$t_h(D)$ Hold time, DQ valid	t_{WHDX}	0	0	0	ns			
$t_h(E)$ Hold time, \overline{E}	t_{WHEH}	0	0	0	ns			
$t_h(VPP)$ Hold time, V_{PP} from valid status-register bit	t_{QVVL}	0	0	0	ns			
$t_h(RP)$ Hold time, \overline{RP} at V_{HH} from valid status-register bit	t_{QVPH}	0	0	0	ns			
$t_h(WP)$ Hold time, \overline{WP} from valid status-register bit	t_{WHPL}	0	0	0	ns			
$t_{su}(WP)$ Setup time, \overline{WP} before write operation	t_{ELPH}	50	50	50	ns			
$t_{su}(A)$ Setup time, A0–A16 (see Note 15)	t_{AVWH}	50	50	50	ns			
$t_{su}(D)$ Setup time, DQ	t_{DVWH}	50	50	50	ns			
$t_{su}(E)$ Setup time, \overline{E} before write operation	t_{ELWL}	0	0	0	ns			
$t_{su}(RP)$ Setup time, \overline{RP} at V_{HH} to \overline{W} going high	t_{PHHWH}	100	100	100	ns			
$t_{su}(VPP)1$ Setup time, V_{PP} to \overline{W} going high	t_{VPWH}	100	100	100	ns			
$t_w(W)$ Pulse duration, \overline{W} low	t_{WLWH}	50	50	50	ns			
$t_w(WH)$ Pulse duration, \overline{W} high	t_{WHWL}	10	20	30	ns			
$t_{rec}(RPHW)$ Recovery time, \overline{RP} high to \overline{W} going low	t_{PHWL}	450	450	450	ns			

NOTE 15: A₁–A16 for byte-wide



timing requirements for TMS28F200AFy (automotive temperature range)

write/erase operations — \overline{W} -controlled writes

	ALT. SYMBOL	'28F002AFy70 '28F200AFy70	'28F002AFy80 '28F200AFy80	'28F002AFy90 '28F200AFy90	UNIT			
		5-V V _{CC} RANGE		5-V V _{CC} RANGE		5-V V _{CC} RANGE		
		MIN	MAX	MIN		MAX	MIN	MAX
t _{c(W)}	Cycle time, write	t _{AVAV}	70	80	90	ns		
t _{c(W)OP}	Cycle time, duration of programming operation	t _{WHQV1}	6	6	7	μs		
t _{c(W)ERB}	Cycle time, erase operation (boot block)	t _{WHQV2}	0.3	0.3	0.4	s		
t _{c(W)ERP}	Cycle time, erase operation (parameter block)	t _{WHQV3}	0.3	0.3	0.4	s		
t _{c(W)ERM}	Cycle time, erase operation (main block)	t _{WHQV4}	0.6	0.6	0.7	s		
t _{d(RPR)}	Delay time, boot-block relock	t _{PHBR}	100		100	ns		
t _{h(A)}	Hold time, A0–A16 (see Note 15)	t _{WHAX}	0	0	0	ns		
t _{h(D)}	Hold time, DQ valid	t _{WHDX}	0	0	0	ns		
t _{h(E)}	Hold time, \overline{E}	t _{WHEH}	0	0	0	ns		
t _{h(VPP)}	Hold time, V _{PP} from valid status-register bit	t _{QVVL}	0	0	0	ns		
t _{h(RP)}	Hold time, \overline{RP} at V _{HH} from valid status-register bit	t _{QVPH}	0	0	0	ns		
t _{h(WP)}	Hold time, \overline{WP} from valid status-register bit	t _{WHPL}	0	0	0	ns		
t _{su(WP)}	Setup time, \overline{WP} before write operation	t _{ELPH}	50	50	50	ns		
t _{su(A)}	Setup time, A0–A16 (see Note 15)	t _{AVWH}	50	50	50	ns		
t _{su(D)}	Setup time, DQ	t _{DVWH}	50	50	50	ns		
t _{su(E)}	Setup time, \overline{E} before write operation	t _{ELWL}	0	0	0	ns		
t _{su(RP)}	Setup time, \overline{RP} at V _{HH} to \overline{W} going high	t _{PHHWH}	100	100	100	ns		
t _{su(VPP)1}	Setup time, V _{PP} to \overline{W} going high	t _{VPWH}	100	100	100	ns		
t _{w(W)}	Pulse duration, \overline{W} low	t _{WLWH}	60	60	60	ns		
t _{w(WH)}	Pulse duration, \overline{W} high	t _{WHWL}	20	30	40	ns		
t _{rec(RPHW)}	Recovery time, \overline{RP} high to \overline{W} going low	t _{PHWL}	220	220	220	ns		

NOTE 15: A₁–A16 for byte-wide

TMS28F002Axy, TMS28F200Axy
262144 BY 8-BIT/131072 BY 16-BIT
AUTO-SELECT BOOT-BLOCK FLASH MEMORIES

SMJS826D – JANUARY 1996 – REVISED SEPTEMBER 1997

timing requirements for TMS28F002AFy and TMS28F200AFy (commercial and extended temperature ranges)

write/erase operations — \bar{E} -controlled writes

	ALT. SYMBOL	'28F002AFy60 '28F200AFy60	'28F002AFy70 '28F200AFy70	'28F002AFy80 '28F200AFy80	UNIT			
		5-V V_{CC} RANGE		5-V V_{CC} RANGE		5-V V_{CC} RANGE		
		MIN	MAX	MIN		MAX	MIN	MAX
$t_{c(E)}$ Cycle time, write	t_{AVAV}	60		70		80	ns	
$t_{c(E)OP}$ Cycle time, duration of programming operation	t_{EHQV1}	6		6		6	μ s	
$t_{c(E)ERB}$ Cycle time, erase operation (boot block)	t_{EHQV2}	0.3		0.3		0.3	s	
$t_{c(E)ERP}$ Cycle time, erase operation (parameter block)	t_{EHQV3}	0.3		0.3		0.3	s	
$t_{c(E)ERM}$ Cycle time, erase operation (main block)	t_{EHQV4}	0.6		0.6		0.6	s	
$t_{d(RPR)}$ Delay time, boot-block relock	t_{PHBR}		100		100		100	ns
$t_h(A)$ Hold time, A0–A16 (see Note 15)	t_{EHAX}	0		0		0	ns	
$t_h(D)$ Hold time, DQ valid	t_{EHDX}	0		0		0	ns	
$t_h(W)$ Hold time, \bar{W}	t_{EHWH}	0		0		0	ns	
$t_h(VPP)$ Hold time, V_{PP} from valid status-register bit	t_{QVVL}	0		0		0	ns	
$t_h(RP)$ Hold time, \bar{RP} at V_{HH} from valid status-register bit	t_{QVPH}	0		0		0	ns	
$t_h(WP)$ Hold time, \bar{WP} from valid status-register bit	t_{WHPL}	0		0		0	ns	
$t_{su}(WP)$ Setup time, \bar{WP} before write operation	t_{ELPH}	50		50		50	ns	
$t_{su}(A)$ Setup time, A0–A16 (see Note 15)	t_{AVEH}	50		50		50	ns	
$t_{su}(D)$ Setup time, DQ valid	t_{DVEH}	50		50		50	ns	
$t_{su}(W)$ Setup time, \bar{W} before write operation	t_{WLEL}	0		0		0	ns	
$t_{su}(RP)$ Setup time, \bar{RP} at V_{HH} to \bar{E} going high	t_{PHHEH}	100		100		100	ns	
$t_{su}(VPP)2$ Setup time, V_{PP} to \bar{E} going high	t_{VPEH}	100		100		100	ns	
$t_w(E)$ Pulse duration, \bar{E} low	t_{ELEH}	50		50		50	ns	
$t_w(EH)$ Pulse duration, \bar{E} high	t_{EHEL}	10		20		30	ns	
$t_{rec}(RPHE)$ Recovery time, \bar{RP} high to \bar{E} going low	t_{PHEL}	450		450		450	ns	

NOTE 15: A₁–A16 for byte-wide



timing requirements for TMS28F200AFy (automotive temperature range)

write/erase operations — \bar{E} -controlled writes

	ALT. SYMBOL	'28F002AFy70 '28F200AFy70	'28F002AFy80 '28F200AFy80	'28F002AFy90 '28F200AFy90	UNIT			
		5-V V _{CC} RANGE		5-V V _{CC} RANGE		5-V V _{CC} RANGE		
		MIN	MAX	MIN		MAX	MIN	MAX
t _c (E)	Cycle time, write	t _{AVAV}	70	80	90	ns		
t _c (E)OP	Cycle time, duration of programming operation	t _{EHQV1}	6	6	7	μs		
t _c (E)ERB	Cycle time, erase operation (boot block)	t _{EHQV2}	0.3	0.3	0.4	s		
t _c (E)ERP	Cycle time, erase operation (parameter block)	t _{EHQV3}	0.3	0.3	0.4	s		
t _c (E)ERM	Cycle time, erase operation (main block)	t _{EHQV4}	0.6	0.6	0.7	s		
t _d (RPR)	Delay time, boot-block relock	t _{PHBR}	100	100	100	ns		
t _h (A)	Hold time, A0–A16 (see Note 15)	t _{EHAX}	0	0	0	ns		
t _h (D)	Hold time, DQ valid	t _{EHDX}	0	0	0	ns		
t _h (W)	Hold time, \bar{W}	t _{EHEH}	0	0	0	ns		
t _h (VPP)	Hold time, V _{PP} from valid status-register bit	t _{QVVL}	0	0	0	ns		
t _h (RP)	Hold time, $\bar{R}\bar{P}$ at V _{HH} from valid status-register bit	t _{QVPH}	0	0	0	ns		
t _h (WP)	Hold time, $\bar{W}\bar{P}$ from valid status-register bit	t _{WHPL}	0	0	0	ns		
t _{su} (WP)	Setup time, $\bar{W}\bar{P}$ before write operation	t _{ELPH}	50	50	50	ns		
t _{su} (A)	Setup time, A0–A16 (see Note 15)	t _{AVEH}	50	50	50	ns		
t _{su} (D)	Setup time, DQ valid	t _{DVEH}	50	50	50	ns		
t _{su} (W)	Setup time, \bar{W} before write operation	t _{WLEL}	0	0	0	ns		
t _{su} (RP)	Setup time, $\bar{R}\bar{P}$ at V _{HH} to \bar{E} going high	t _{PHHEH}	100	100	100	ns		
t _{su} (VPP)2	Setup time, V _{PP} to \bar{E} going high	t _{VPEH}	100	100	100	ns		
t _w (E)	Pulse duration, \bar{E} low	t _{ELEH}	60	60	60	ns		
t _w (EH)	Pulse duration, \bar{E} high	t _{EHEL}	20	30	40	ns		
t _{rec} (RPHE)	Recovery time, $\bar{R}\bar{P}$ high to \bar{E} going low	t _{PHEL}	300	300	300	ns		

NOTE 15: A_L–A16 for byte-wide

TMS28F002Axy, TMS28F200Axy
262144 BY 8-BIT/131072 BY 16-BIT
AUTO-SELECT BOOT-BLOCK FLASH MEMORIES

SMJS826D – JANUARY 1996 – REVISED SEPTEMBER 1997

TMS28F002AZy and TMS28F200AZy

The TMS28F002AZy and TMS28F200AZy configurations offer a 5-V memory read with a 12-V program and a 12-V erase for fast programming and erasing times. These configurations are offered in three temperature ranges: 0°C to 70°C, – 40°C to 85°C and – 40°C to 125°C.

recommended operating conditions for TMS28F002AZy and TMS28F200AZy

				MIN	NOM	MAX	UNIT
V _{CC}	Supply voltage	During write/read/erase/erase-suspend	5-V V _{CC} range	4.5	5	5.5	V
V _{PP}	Supply voltage	During read only	V _{PPL}	0		6.5	V
		During write/erase/erase-suspend	12-V V _{PP} range	11.4	12	12.6	
V _{IH}	High-level dc input voltage	TTL		2		V _{CC} + 0.3	V
		CMOS		V _{CC} – 0.2		V _{CC} + 0.2	
V _{IL}	Low-level dc input voltage	TTL		– 0.3		0.8	V
		CMOS		V _{SS} – 0.2		V _{SS} + 0.2	
V _{LKO}	V _{CC} lock-out voltage from write/erase (see Note 7)			2			V
V _{HH}	\overline{RP} unlock voltage			11.4	12	13	V
V _{PPLK}	V _{PP} lock-out voltage from write/erase			0		1.5	V
T _A	Operating free-air temperature during read/erase/program	L suffix		0		70	°C
		E suffix		– 40		85	
		Q suffix		– 40		125	

NOTE 7.: Minimum value at T_A = 25°C.

word/byte typical write and block-erase performance for TMS28F002AZy and TMS28F200AZy (see Notes 8 and 9)

PARAMETER	12-V V _{PP} AND 5-V V _{CC} RANGES		
	MIN	TYP	MAX
Main block-erase time		1.1	14
Main block-byte program time		1.2	4.2
Main block-word program time		0.6	2.1
Parameter/boot-block erase time		0.34	7

NOTES: 8. Typical values shown are at T_A = 25°C and nominal conditions.
9. Excludes system-level overhead (all times in seconds)



TMS28F002Axy, TMS28F200Axy
262144 BY 8-BIT/131072 BY 16-BIT
AUTO-SELECT BOOT-BLOCK FLASH MEMORIES
SMJS826D – JANUARY 1996 – REVISED SEPTEMBER 1997

electrical characteristics for TMS28F002Azy and TMS28F200Azy over recommended ranges of supply voltage and operating free-air temperature using test conditions given in Table 9 (unless otherwise noted)

PARAMETER		TEST CONDITIONS	MIN	MAX	UNIT	
V _{OH}	High-level dc output voltage	TTL	V _{CC} = V _{CCMIN} , I _{OH} = -2.5 mA		V	
		CMOS	V _{CC} = V _{CCMIN} , I _{OH} = -100 μA			
V _{OL}	Low-level dc output voltage	V _{CC} = V _{CCMIN} , I _{OL} = 5.8 mA		0.45	V	
V _{ID}	A9 selection code voltage	During read algorithm-selection mode		11.4	12.6	V
I _I	Input current (leakage), except for A9 when A9 = V _{ID} (see Note 10)	V _{CC} = V _{CCMAX} , V _I = 0 V to V _{CCMAX} , R _P = V _{HH}		±1		μA
I _{ID}	A9 selection code current	A9 = V _{ID}		500		μA
I _{RP}	\overline{RP} boot-block unlock current	\overline{RP} = V _{HH}		500		μA
I _O	Output current (leakage)	V _{CC} = V _{CCMAX} , V _O = 0 V to V _{CCmax}		±10		μA
I _{PPS}	V _{PP} standby current (standby)	V _{PP} ≤ V _{CC}	5-V V _{CC} range		10	μA
I _{PPL}	V _{PP} supply current (reset/deep power-down mode)	\overline{RP} = V _{SS} ± 0.2 V, V _{PP} ≤ V _{CC}	5-V V _{CC} range		5	μA
I _{PP1}	V _{PP} supply current (active read)	V _{PP} ≥ V _{CC}	5-V V _{CC} range		200	μA
I _{PP2}	V _{PP} supply current (active byte-write) (see Notes 11 and 12)	Programming in progress		12-V V _{PP} range, 5-V V _{CC} range	20	mA
I _{PP3}	V _{PP} supply current (active word-write) (see Notes 11 and 12)	Programming in progress		12-V V _{PP} range, 5-V V _{CC} range	20	mA
I _{PP4}	V _{PP} supply current (block-erase) (see Notes 11 and 12)	Block-erase in progress		12-V V _{PP} range, 5-V V _{CC} range	15	mA
I _{PP5}	V _{PP} supply current (erase-suspend) (see Notes 11 and 12)	Block-erase suspended		12-V V _{PP} range, 5-V V _{CC} range	200	μA
I _{CCS}	V _{CC} supply current (standby)	TTL-input level	V _{CC} = V _{CCmax} , E = R _P = V _{IH}		2	mA
		CMOS-input level			130	μA
I _{CLL}	V _{CC} supply current (reset/deep power-down mode)	\overline{RP} = V _{SS} ± 0.2 V		0°C to 70°C	8	μA
				-40°C to 85°C	8	
				-40°C to 125°C	30	
I _{CC1}	V _{CC} supply current (active read)	TTL-input level	\overline{E} = V _{IL} , \overline{G} = V _{IH} I _{OUT} = 0 mA, f = 10 MHz, 5-V V _{CC} range		65	mA
		CMOS-input level	\overline{E} = V _{SS} , \overline{G} = V _{CC} , I _{OUT} = 0 mA, f = 10 MHz, 5-V V _{CC} range		60	mA
I _{CC2}	V _{CC} supply current (active byte-write) (see Notes 11 and 12)	V _{CC} = V _{CCMAX} , Programming in progress	12-V V _{PP} range, 5-V V _{CC} range		50	mA
I _{CC3}	V _{CC} supply current (active word-write) (see Notes 11 and 12)	V _{CC} = V _{CCMAX} , Programming in progress	12-V V _{PP} range, 5-V V _{CC} range		45	mA
I _{CC4}	V _{CC} supply current (block-erase) (see Notes 11 and 12)	V _{CC} = V _{CCMAX} , Block erase in progress	12-V V _{PP} range, 5-V V _{CC} range		45	mA
I _{CC5}	V _{CC} supply current (erase-suspend) (see Notes 11 and 12)	V _{CC} = V _{CCMAX} , Block erase suspended	5-V V _{CC} range, \overline{E} = V _{IH}		10	mA

NOTES: 10. DQ15/A₁ is tested for output leakage only.
11. Characterization data available
12. All ac current values are RMS unless otherwise noted.



TMS28F002Axy, TMS28F200Axy
262144 BY 8-BIT/131072 BY 16-BIT
AUTO-SELECT BOOT-BLOCK FLASH MEMORIES

SMJS826D – JANUARY 1996 – REVISED SEPTEMBER 1997

power-up and reset switching characteristics for TMS28F002AZy and TMS28F200AZy over recommended ranges of supply voltage (commercial and extended temperature ranges) (see Notes 11, 12, and 13) (see Table 9 and Figure 7)

PARAMETER	ALT. SYMBOL	'28F002AZy60 '28F200AZy60	'28F002AZy70 '28F200AZy70	'28F002AZy80 '28F200AZy80	UNIT			
		5-V V _{CC} RANGE		5-V V _{CC} RANGE		5-V V _{CC} RANGE		
		MIN	MAX	MIN		MAX	MIN	MAX
t _{su} (V _{CC})	Setup time, \overline{RP} low to V _{CC} at 4.5 V MIN (to V _{CC} at 3 V MIN or 3.6 V MAX) (see Note 14)	t _{PL5V} t _{PL3V}	0	0	0	ns		
t _a (DV)	Address valid to data valid for V _{CC} = 5 V ± 10%	t _{AVQV}	60	70	80	ns		
t _{su} (DV)	Setup time, \overline{RP} high to data valid for V _{CC} = 5 V ± 10%	t _{PHQV}	450	450	450	ns		
t _h (RP5)	Hold time, V _{CC} at 4.5 V (MIN) to \overline{RP} high	t _{5VPH}	2	2	2	μs		

- NOTES: 11. Characterization data available
 12. All ac current values are RMS unless otherwise noted.
 13. \overline{E} and \overline{G} are switched low after power up.
 14. The power supply can switch low concurrently with \overline{RP} going low.

power-up and reset switching characteristics for TMS28F002AZy and TMS28F200AZy over recommended ranges of supply voltage (automotive temperature range) (see Notes 11, 12, and 13)

PARAMETER	ALT. SYMBOL	'28F002AZy70 '28F200AZy70	'28F002AZy80 '28F200AZy80	'28F002AZy90 '28F200AZy90	UNIT			
		5-V V _{CC} RANGE		5-V V _{CC} RANGE		5-V V _{CC} RANGE		
		MIN	MAX	MIN		MAX	MIN	MAX
t _{su} (V _{CC})	Setup time, \overline{RP} low to V _{CC} at 4.5 V MIN (to V _{CC} at 3 V MIN or 3.6 V MAX) (see Note 14)	t _{PL5V} t _{PL3V}	0	0	0	ns		
t _a (DV)	Address valid to data valid for V _{CC} = 5 V ± 10%	t _{AVQV}	70	80	90	ns		
t _{su} (DV)	Setup time, \overline{RP} high to data valid for V _{CC} = 5 V ± 10%	t _{PHQV}	450	450	450	ns		
t _h (RP5)	Hold time, V _{CC} at 4.5 V (MIN) to \overline{RP} high	t _{5VPH}	2	2	2	μs		

- NOTES: 11. Characterization data available
 12. All ac current values are RMS unless otherwise noted.
 13. \overline{E} and \overline{G} are switched low after power up.
 14. The power supply can switch low concurrently with \overline{RP} going low.



TMS28F002Axy, TMS28F200Axy
262144 BY 8-BIT/131072 BY 16-BIT
AUTO-SELECT BOOT-BLOCK FLASH MEMORIES

SMJS826D – JANUARY 1996 – REVISED SEPTEMBER 1997

switching characteristics for TMS28F002AZy and TMS28F200AZy over recommended ranges of supply voltage (commercial and extended temperature ranges) (see Table 9 and Figure 7)

read operations

PARAMETER	ALT. SYMBOL	'28F002AZy60 '28F200AZy60	'28F002AZy70 '28F200AZy70	'28F002AZy80 '28F200AZy80	UNIT	
		5-V V _{CC} RANGE		5-V V _{CC} RANGE		
		MIN	MAX	MIN		MAX
t _a (A) Access time from A0–A16 (see Note 15)	t _{AVQV}	60		70	80	ns
t _a (E) Access time from \bar{E}	t _{ELQV}	60		70	80	ns
t _a (G) Access time from \bar{G}	t _{GLQV}	35		40	40	ns
t _c (R) Cycle time, read	t _{AVAV}	60	70	80		ns
t _d (E) Delay time, \bar{E} low to low-impedance output	t _{ELQX}	0	0	0		ns
t _d (G) Delay time, \bar{G} low to low-impedance output	t _{GLQX}	0	0	0		ns
t _{dis} (E) Disable time, \bar{E} to high-impedance output	t _{EHQZ}	25		30	30	ns
t _{dis} (G) Disable time, \bar{G} to high-impedance output	t _{GHQZ}	25		30	30	ns
t _h (D) Hold time, DQ valid from A0–A16, \bar{E} , or \bar{G} , whichever occurs first (see Note 15)	t _{AXQX}	0	0	0		ns
t _{su} (EB) Setup time, $\overline{\text{BYTE}}$ from \bar{E} low	t _{ELFL} t _{ELFH}	5		5	5	ns
t _d (RP) Output delay time from $\overline{\text{RP}}$ high	t _{PHQV}	450		450	450	ns
t _{dis} (BL) Disable time, $\overline{\text{BYTE}}$ low to DQ8–DQ15 in high-impedance state	t _{FLQZ}	25		30	30	ns
t _a (BH) Access time from $\overline{\text{BYTE}}$ going high	t _{FHQV}	60		70	80	ns

NOTE 15: A₁–A16 for byte-wide

TMS28F002Axy, TMS28F200Axy
262144 BY 8-BIT/131072 BY 16-BIT
AUTO-SELECT BOOT-BLOCK FLASH MEMORIES

SMJS826D – JANUARY 1996 – REVISED SEPTEMBER 1997

switching characteristics for TMS28F200AZy over recommended ranges of supply voltage (automotive temperature range) (see Table 9 and Figure 7)

read operations

PARAMETER	ALT. SYMBOL	'28F002AZy70 '28F200AZy70	'28F002AZy80 '28F200AZy80	'28F002AZy90 '28F200AZy90	UNIT			
		5-V V _{CC} RANGE		5-V V _{CC} RANGE		5-V V _{CC} RANGE		
		MIN	MAX	MIN		MAX	MIN	MAX
t _a (A) Access time from A0–A16 (see Note 15)	t _{AVQV}	70		80		90		ns
t _a (E) Access time from \bar{E}	t _{ELQV}	70		80		90		ns
t _a (G) Access time from \bar{G}	t _{GLQV}	35		40		45		ns
t _c (R) Cycle time, read	t _{AVAV}	70		80		90		ns
t _d (E) Delay time, \bar{E} low to low-impedance output	t _{ELQX}	0		0		0		ns
t _d (G) Delay time, \bar{G} low to low-impedance output	t _{GLQX}	0		0		0		ns
t _{dis} (E) Disable time, \bar{E} to high-impedance output	t _{EHQZ}	25		30		35		ns
t _{dis} (G) Disable time, \bar{G} to high-impedance output	t _{GHQZ}	25		30		35		ns
t _h (D) Hold time, DQ valid from A0–A16, \bar{E} , or \bar{G} , whichever occurs first (see Note 15)	t _{AXQX}	0		0		0		ns
t _{su} (EB) Setup time, $\overline{\text{BYTE}}$ from \bar{E} low	t _{ELFL} t _{ELFH}	5		5		5		ns
t _d (RP) Output delay time from $\overline{\text{RP}}$ high	t _{PHQV}	300		300		300		ns
t _{dis} (BL) Disable time, $\overline{\text{BYTE}}$ low to DQ8–DQ15 in high-impedance state	t _{FLQZ}	30		30		35		ns
t _a (BH) Access time from $\overline{\text{BYTE}}$ going high	t _{FHQV}	70		80		90		ns

NOTE 15: A₁–A16 for byte-wide



timing requirements for TMS28F002AZy and TMS28F200AZy (commercial and extended temperature ranges)

write/erase operations — \overline{W} -controlled writes

	ALT. SYMBOL	'28F002AZy60 '28F200AZy60	'28F002AZy70 '28F200AZy70	'28F002AZy80 '28F200AZy80	UNIT	
		5-V V_{CC} RANGE		5-V V_{CC} RANGE		
		MIN	MAX	MIN		MAX
$t_{c(W)}$	Cycle time, write	t_{AVAV}	60	70	80	ns
$t_{c(W)OP}$	Cycle time, duration of programming operation	t_{WHQV1}	6	6	6	μ s
$t_{c(W)ERB}$	Cycle time, erase operation (boot block)	t_{WHQV2}	0.3	0.3	0.3	s
$t_{c(W)ERP}$	Cycle time, erase operation (parameter block)	t_{WHQV3}	0.3	0.3	0.3	s
$t_{c(W)ERM}$	Cycle time, erase operation (main block)	t_{WHQV4}	0.6	0.6	0.6	s
$t_{d(RPR)}$	Delay time, boot-block relock	t_{PHBR}	100	100	100	ns
$t_{h(A)}$	Hold time, A0–A16 (see Note 15)	t_{WHAX}	0	0	0	ns
$t_{h(D)}$	Hold time, DQ valid	t_{WHDX}	0	0	0	ns
$t_{h(E)}$	Hold time, \overline{E}	t_{WHEH}	0	0	0	ns
$t_{h(VPP)}$	Hold time, V_{PP} from valid status-register bit	t_{QVVL}	0	0	0	ns
$t_{h(RP)}$	Hold time, \overline{RP} at V_{HH} from valid status-register bit	t_{QVPH}	0	0	0	ns
$t_{su(A)}$	Setup time, A0–A16 (see Note 15)	t_{AVWH}	50	50	50	ns
$t_{su(D)}$	Setup time, DQ	t_{DVWH}	50	50	50	ns
$t_{su(E)}$	Setup time, \overline{E} before write operation	t_{ELWL}	0	0	0	ns
$t_{su(RP)}$	Setup time, \overline{RP} at V_{HH} to \overline{W} going high	t_{PHHWH}	100	100	100	ns
$t_{su(VPP)1}$	Setup time, V_{PP} to \overline{W} going high	t_{VPWH}	100	100	100	ns
$t_w(W)$	Pulse duration, \overline{W} low	t_{WLWH}	50	50	50	ns
$t_w(WH)$	Pulse duration, \overline{W} high	t_{WHWL}	10	20	30	ns
$t_{rec(RPHW)}$	Recovery time, \overline{RP} high to \overline{W} going low	t_{PHWL}	450	450	450	ns

NOTE 15: A_{L1}–A16 for byte-wide

TMS28F002Axy, TMS28F200Axy
262144 BY 8-BIT/131072 BY 16-BIT
AUTO-SELECT BOOT-BLOCK FLASH MEMORIES

SMJS826D – JANUARY 1996 – REVISED SEPTEMBER 1997

timing requirements for TMS28F200AZy (automotive temperature ranges)

write/erase operations — \overline{W} -controlled writes

	ALT. SYMBOL	'28F002AZy70	'28F002AZy80	'28F002AZy90	UNIT			
		'28F200AZy70	'28F200AZy80	'28F200AZy90				
		5-V V_{CC} RANGE		5-V V_{CC} RANGE		5-V V_{CC} RANGE		
		MIN	MAX	MIN	MAX	MIN	MAX	
$t_c(W)$	Cycle time, write	t_{AVAV}	70		80		90	ns
$t_c(W)_{OP}$	Cycle time, duration of programming operation	t_{WHQV1}	6		6		7	μs
$t_c(W)_{ERB}$	Cycle time, erase operation (boot block)	t_{WHQV2}	0.3		0.3		0.4	s
$t_c(W)_{ERP}$	Cycle time, erase operation (parameter block)	t_{WHQV3}	0.3		0.3		0.4	s
$t_c(W)_{ERM}$	Cycle time, erase operation (main block)	t_{WHQV4}	0.6		0.6		0.7	s
$t_d(RPR)$	Delay time, boot-block relock	t_{PHBR}		100		100		ns
$t_h(A)$	Hold time, A0–A16 (see Note 15)	t_{WHAX}	0		0		0	ns
$t_h(D)$	Hold time, DQ valid	t_{WHDX}	0		0		0	ns
$t_h(E)$	Hold time, \overline{E}	t_{WHEH}	0		0		0	ns
$t_h(VPP)$	Hold time, V_{PP} from valid status-register bit	t_{QVVL}	0		0		0	ns
$t_h(RP)$	Hold time, \overline{RP} at V_{HH} from valid status-register bit	t_{QVPH}	0		0		0	ns
$t_{su}(A)$	Setup time, A0–A16 (see Note 15)	t_{AVWH}	50		50		50	ns
$t_{su}(D)$	Setup time, DQ	t_{DVWH}	50		50		50	ns
$t_{su}(E)$	Setup time, \overline{E} before write operation	t_{ELWL}	0		0		0	ns
$t_{su}(RP)$	Setup time, \overline{RP} at V_{HH} to \overline{W} going high	t_{PHHWH}	100		100		100	ns
$t_{su}(VPP)1$	Setup time, V_{PP} to \overline{W} going high	t_{VPWH}	100		100		100	ns
$t_w(W)$	Pulse duration, \overline{W} low	t_{WLWH}	60		60		60	ns
$t_w(WH)$	Pulse duration, \overline{W} high	t_{WHWL}	20		30		40	ns
$t_{rec}(RPHW)$	Recovery time, \overline{RP} high to \overline{W} going low	t_{PHWL}	220		220		220	ns

NOTE 15: A₁–A16 for byte-wide



timing requirements for TMS28F002AZy and TMS28F200AZy (commercial and extended temperature ranges)

write/erase operations — \bar{E} -controlled writes

	ALT. SYMBOL	'28F002AZy60 '28F200AZy60	'28F002AZy70 '28F200AZy70	'28F002AZy80 '28F200AZy80	UNIT	
		5-V V _{CC} RANGE		5-V V _{CC} RANGE		
		MIN	MAX	MIN		MAX
t _c (E) Cycle time, write	t _{AVAV}	60	70	80	ns	
t _c (E)OP Cycle time, duration of programming operation	t _{EHQV1}	6	6	6	μs	
t _c (E)ERB Cycle time, erase operation (boot block)	t _{EHQV2}	0.3	0.3	0.3	s	
t _c (E)ERP Cycle time, erase operation (parameter block)	t _{EHQV3}	0.3	0.3	0.3	s	
t _c (E)ERM Cycle time, erase operation (main block)	t _{EHQV4}	0.6	0.6	0.6	s	
t _d (RPR) Delay time, boot-block relock	t _{PHBR}	100	100	100	ns	
t _h (A) Hold time, A0–A16 (see Note 15)	t _{EHAX}	0	0	0	ns	
t _h (D) Hold time, DQ valid	t _{EHDX}	0	0	0	ns	
t _h (W) Hold time, \bar{W}	t _{EHWH}	0	0	0	ns	
t _h (VPP) Hold time, V _{PP} from valid status-register bit	t _{QVVL}	0	0	0	ns	
t _h (RP) Hold time, \bar{RP} at V _{HH} from valid status-register bit	t _{QVPH}	0	0	0	ns	
t _{su} (A) Setup time, A0–A16 (see Note 15)	t _{AVEH}	50	50	50	ns	
t _{su} (D) Setup time, DQ valid	t _{DVEH}	50	50	50	ns	
t _{su} (W) Setup time, \bar{W} before write operation	t _{WLEL}	0	0	0	ns	
t _{su} (RP) Setup time, \bar{RP} at V _{HH} to \bar{E} going high	t _{PHHEH}	100	100	100	ns	
t _{su} (VPP)2 Setup time, V _{PP} to \bar{E} going high	t _{VPEH}	100	100	100	ns	
t _w (E) Pulse duration, \bar{E} low	t _{ELEH}	50	50	50	ns	
t _w (EH) Pulse duration, \bar{E} high	t _{EHEL}	10	20	30	ns	
t _{rec} (RPHE) Recovery time, \bar{RP} high to \bar{E} going low	t _{PHEL}	450	450	450	ns	

NOTE 15: A₁–A16 for byte-wide

TMS28F002Axy, TMS28F200Axy
262144 BY 8-BIT/131072 BY 16-BIT
AUTO-SELECT BOOT-BLOCK FLASH MEMORIES

SMJS826D – JANUARY 1996 – REVISED SEPTEMBER 1997

timing requirements for TMS28F200AZy (automotive temperature range)

write/erase operations — \bar{E} -controlled writes

	ALT. SYMBOL	'28F002AZy70 '28F200AZy70	'28F002AZy80 '28F200AZy80	'28F002AZy90 '28F200AZy90	UNIT	
		5-V V _{CC} RANGE		5-V V _{CC} RANGE		
		MIN	MAX	MIN		MAX
t _c (E)	Cycle time, write	t _{AVAV}	70	80	90	ns
t _c (E)OP	Cycle time, duration of programming operation	t _{EHQV1}	6	6	7	μs
t _c (E)ERB	Cycle time, erase operation (boot block)	t _{EHQV2}	0.3	0.3	0.4	s
t _c (E)ERP	Cycle time, erase operation (parameter block)	t _{EHQV3}	0.3	0.3	0.4	s
t _c (E)ERM	Cycle time, erase operation (main block)	t _{EHQV4}	0.6	0.6	0.7	s
t _d (RPR)	Delay time, boot-block relock	t _{PHBR}	100	100	100	ns
t _h (A)	Hold time, A ₀ –A ₁₆ (see Note 15)	t _{EHAX}	0	0	0	ns
t _h (D)	Hold time, DQ valid	t _{EHDX}	0	0	0	ns
t _h (W)	Hold time, \bar{W}	t _{EHWH}	0	0	0	ns
t _h (VPP)	Hold time, V _{PP} from valid status-register bit	t _{QVVL}	0	0	0	ns
t _h (RP)	Hold time, $\bar{R}P$ at V _{HH} from valid status-register bit	t _{QVPH}	0	0	0	ns
t _{su} (A)	Setup time, A ₀ –A ₁₆ (see Note 15)	t _{AVEH}	50	50	50	ns
t _{su} (D)	Setup time, DQ valid	t _{DVEH}	50	50	50	ns
t _{su} (W)	Setup time, \bar{W} before write operation	t _{WLEL}	0	0	0	ns
t _{su} (RP)	Setup time, $\bar{R}P$ at V _{HH} to \bar{E} going high	t _{PHHEH}	100	100	100	ns
t _{su} (VPP)2	Setup time, V _{PP} to \bar{E} going high	t _{VPEH}	100	100	100	ns
t _w (E)	Pulse duration, \bar{E} low	t _{ELEH}	60	60	60	ns
t _w (EH)	Pulse duration, \bar{E} high	t _{EHEL}	20	30	40	ns
t _{rec} (RPHE)	Recovery time, $\bar{R}P$ high to \bar{E} going low	t _{PHEL}	300	300	300	ns

NOTE 15: A₁–A₁₆ for byte-wide



PARAMETER MEASUREMENT INFORMATION

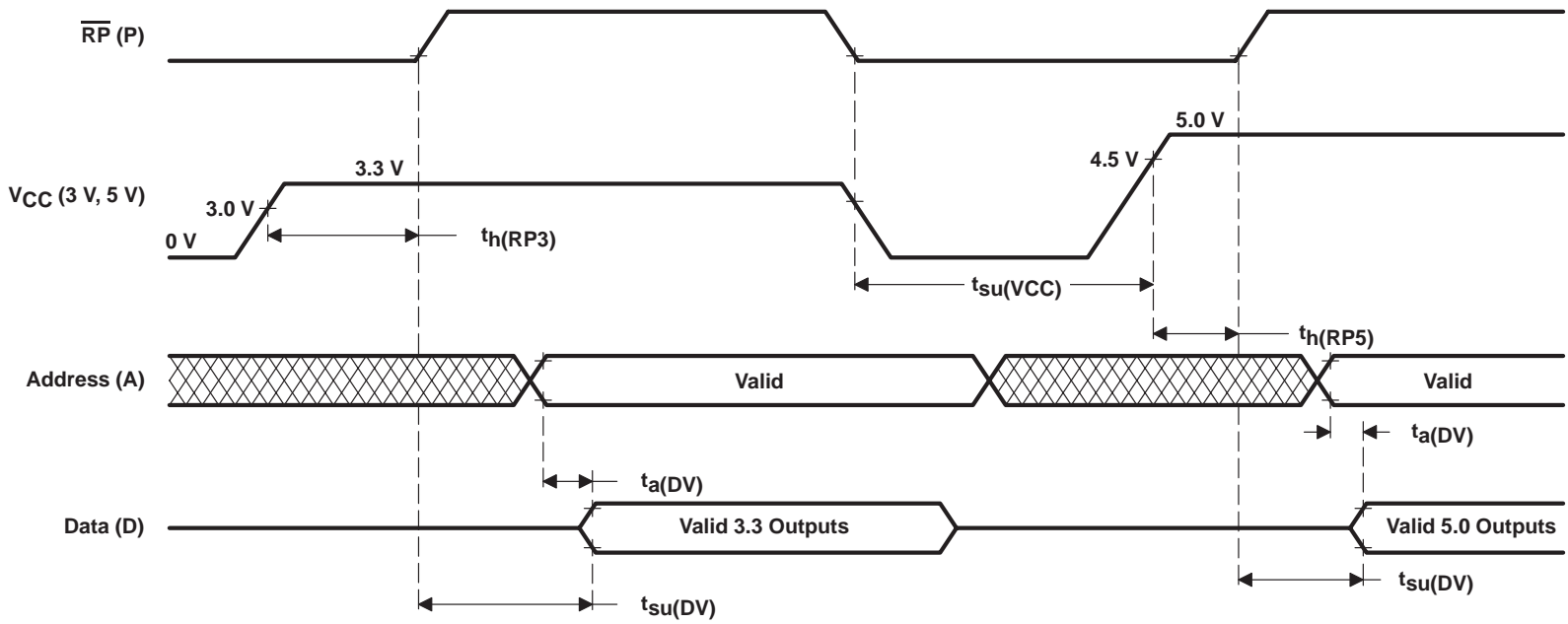


Figure 10. Power-Up Timing and Reset Switching

PARAMETER MEASUREMENT INFORMATION

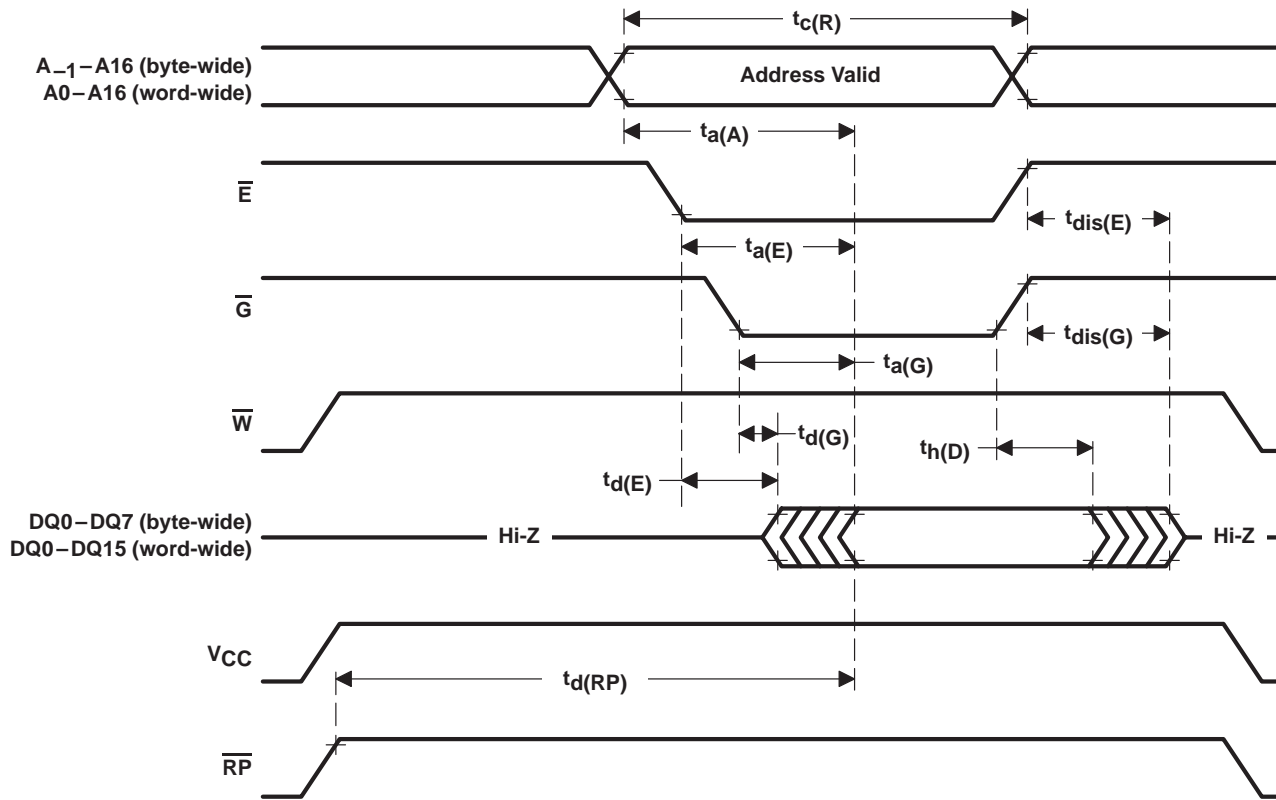


Figure 11. Read-Cycle Timing

PARAMETER MEASUREMENT INFORMATION

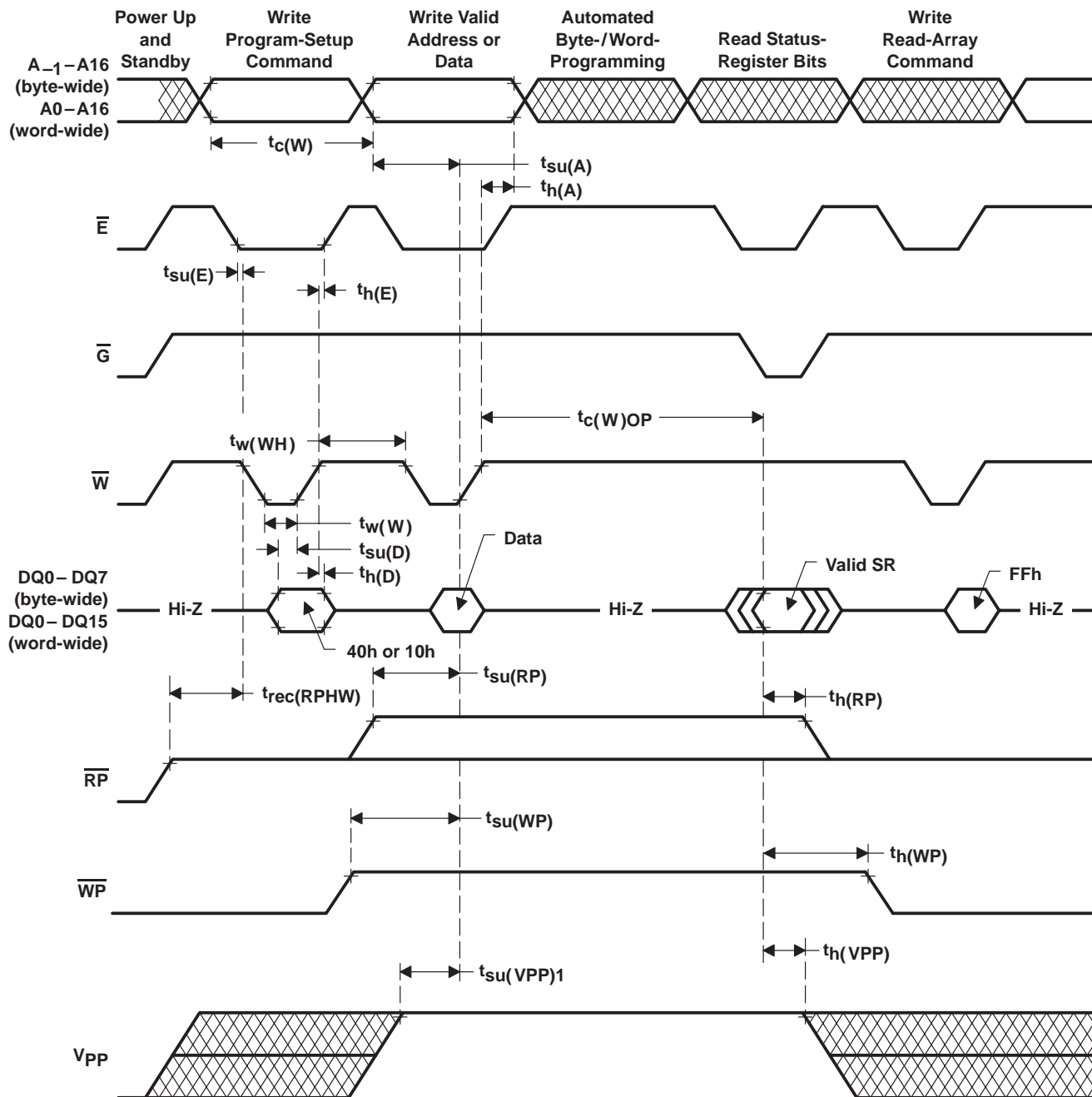


Figure 12. Write-Cycle Timing (\bar{W} -Controlled Write)

PARAMETER MEASUREMENT INFORMATION

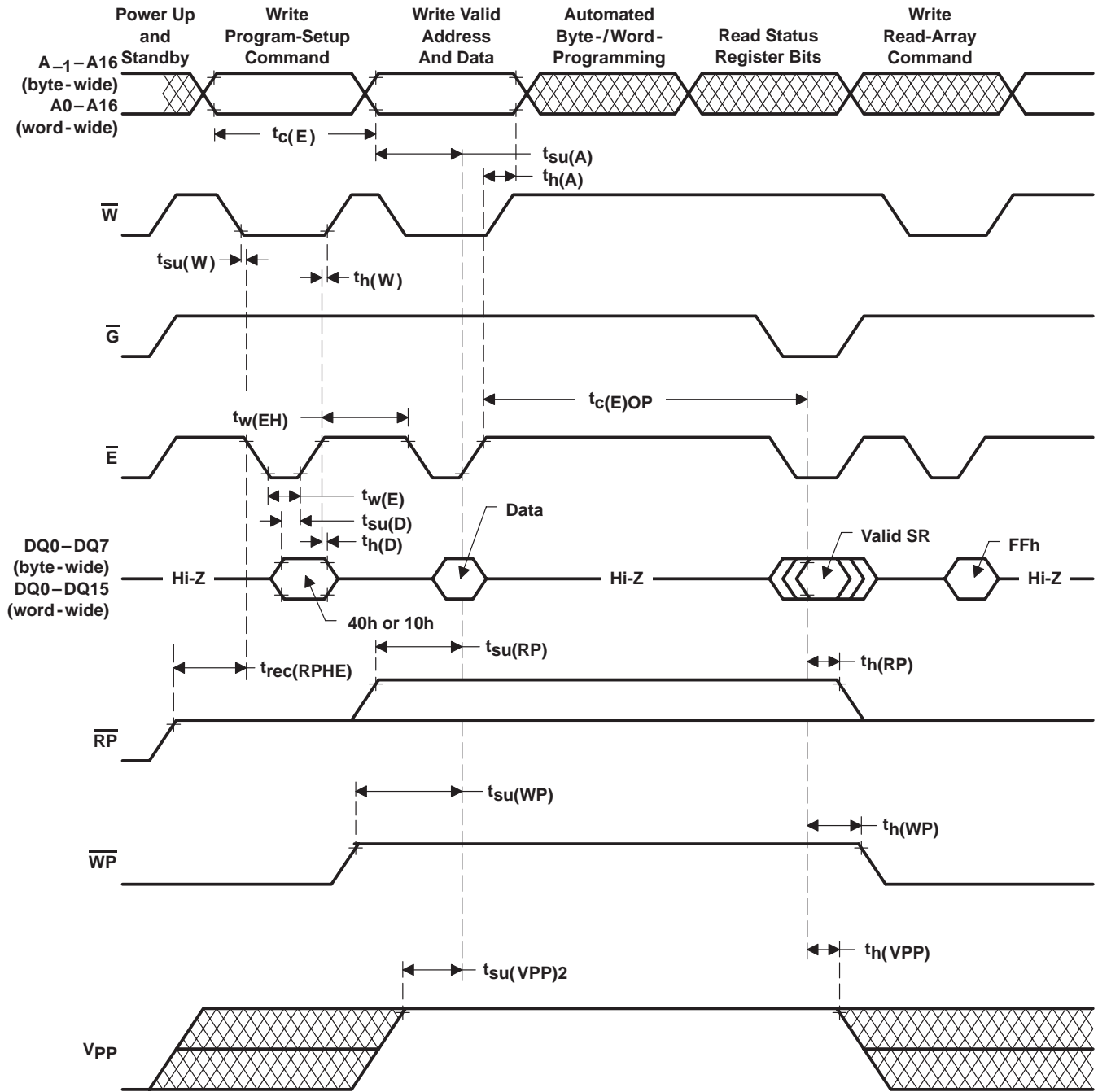


Figure 13. Write-Cycle Timing (\bar{E} -Controlled Write)

PARAMETER MEASUREMENT INFORMATION

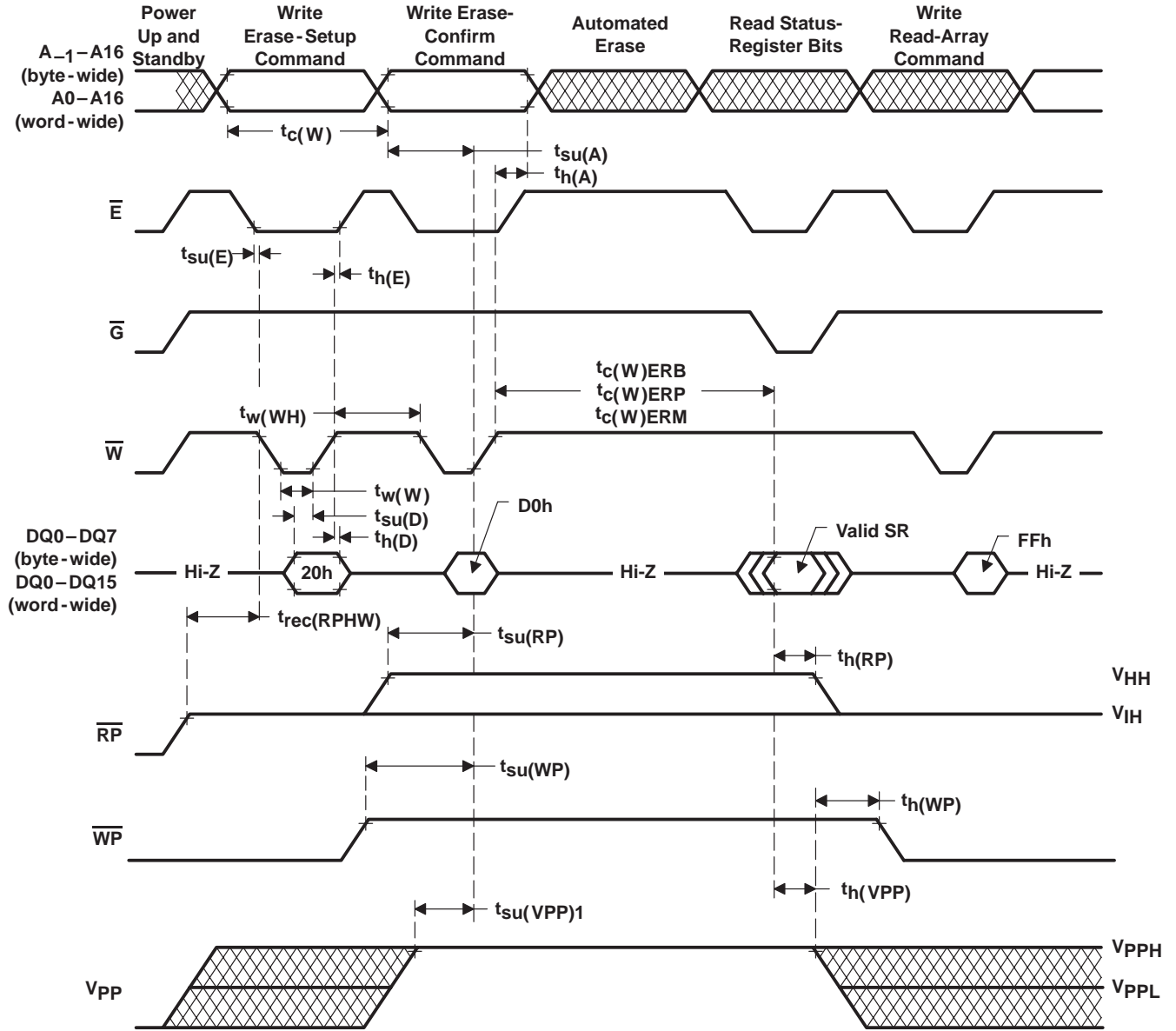


Figure 14. Erase-Cycle Timing (\overline{W} -Controlled Write)

PARAMETER MEASUREMENT INFORMATION

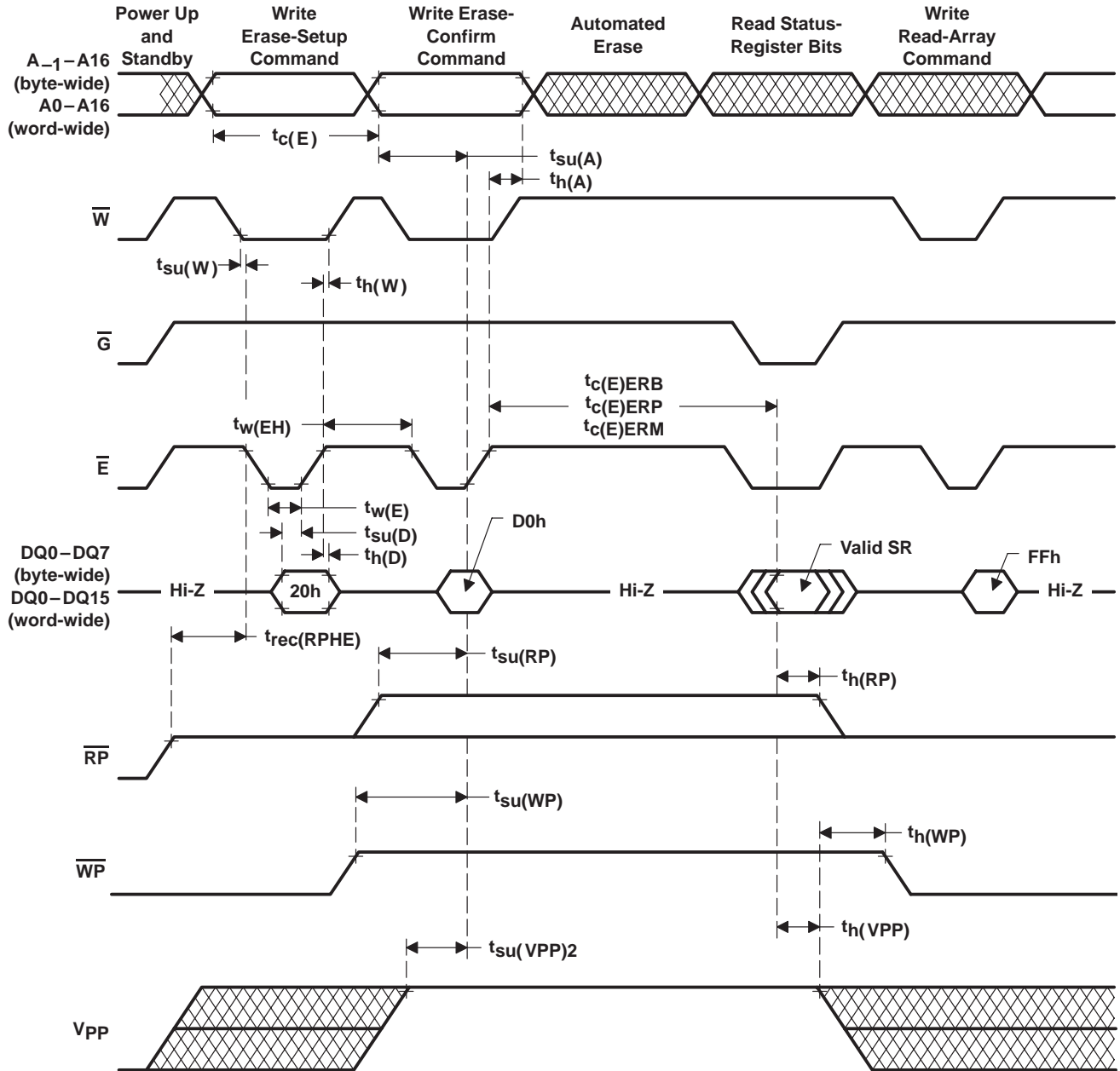


Figure 15. Erase-Cycle Timing (\bar{E} -Controlled Write)

PARAMETER MEASUREMENT INFORMATION

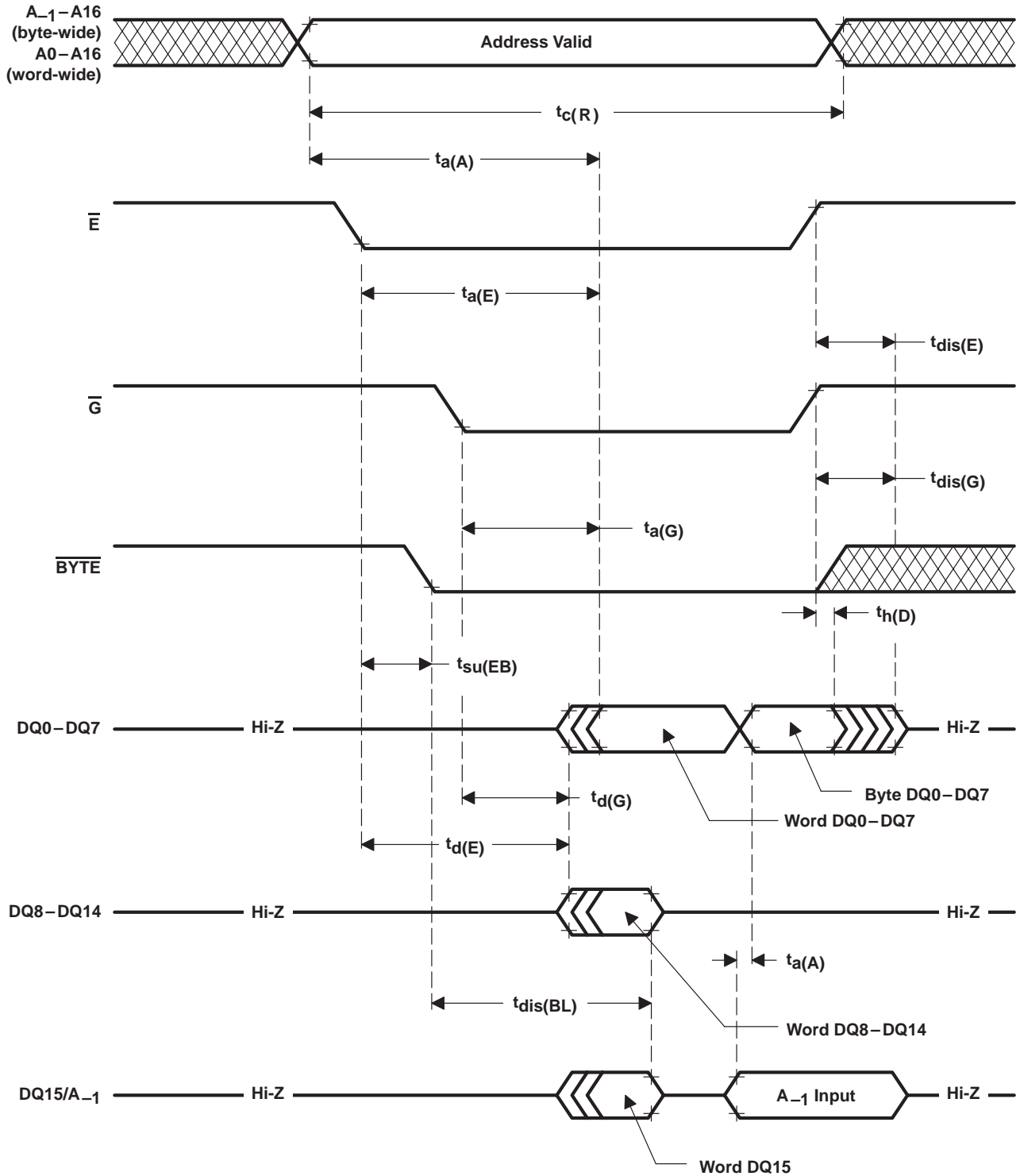


Figure 16. \overline{BYTE} Timing, Changing From Word-Wide to Byte-Wide Mode

PARAMETER MEASUREMENT INFORMATION

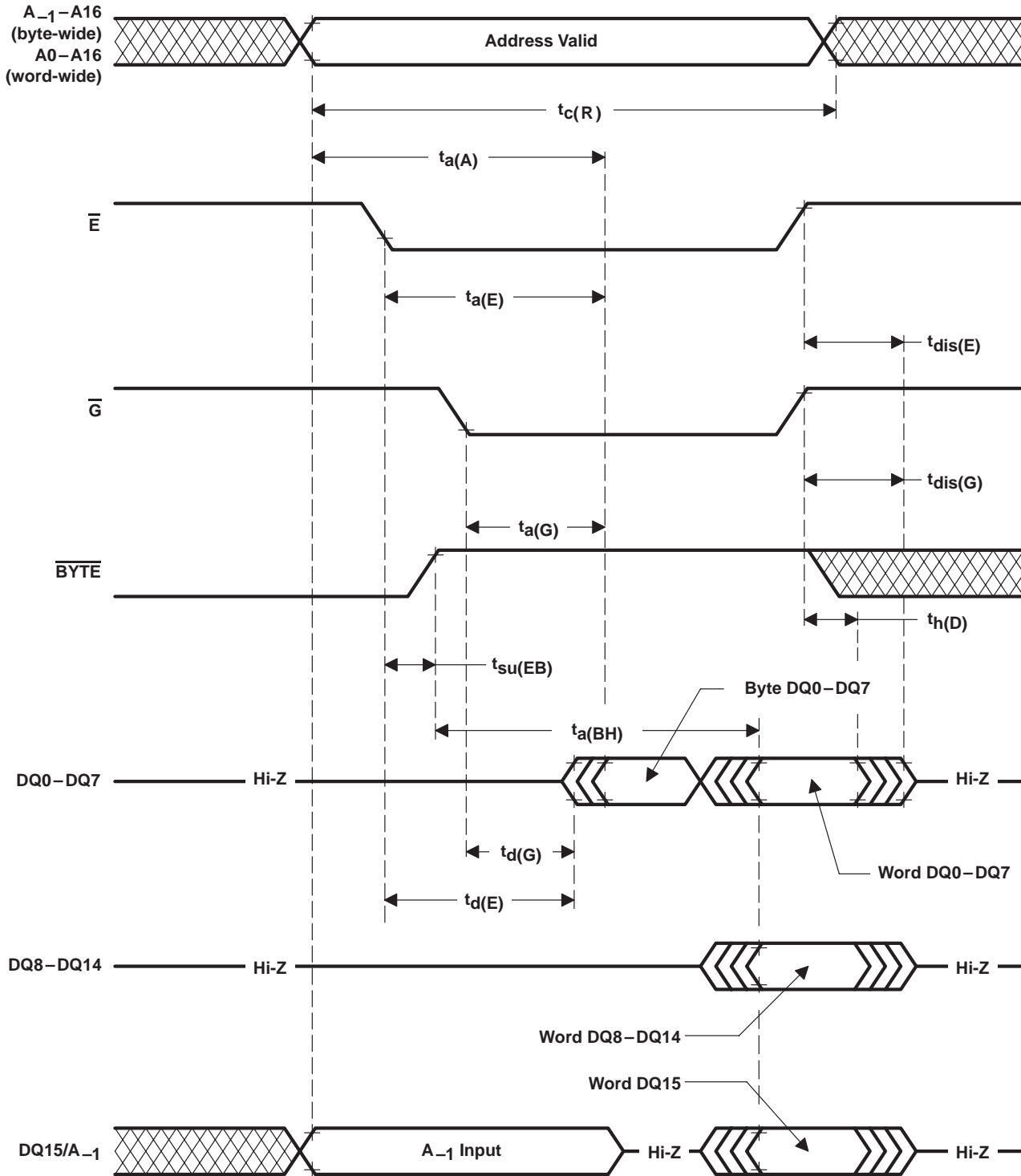
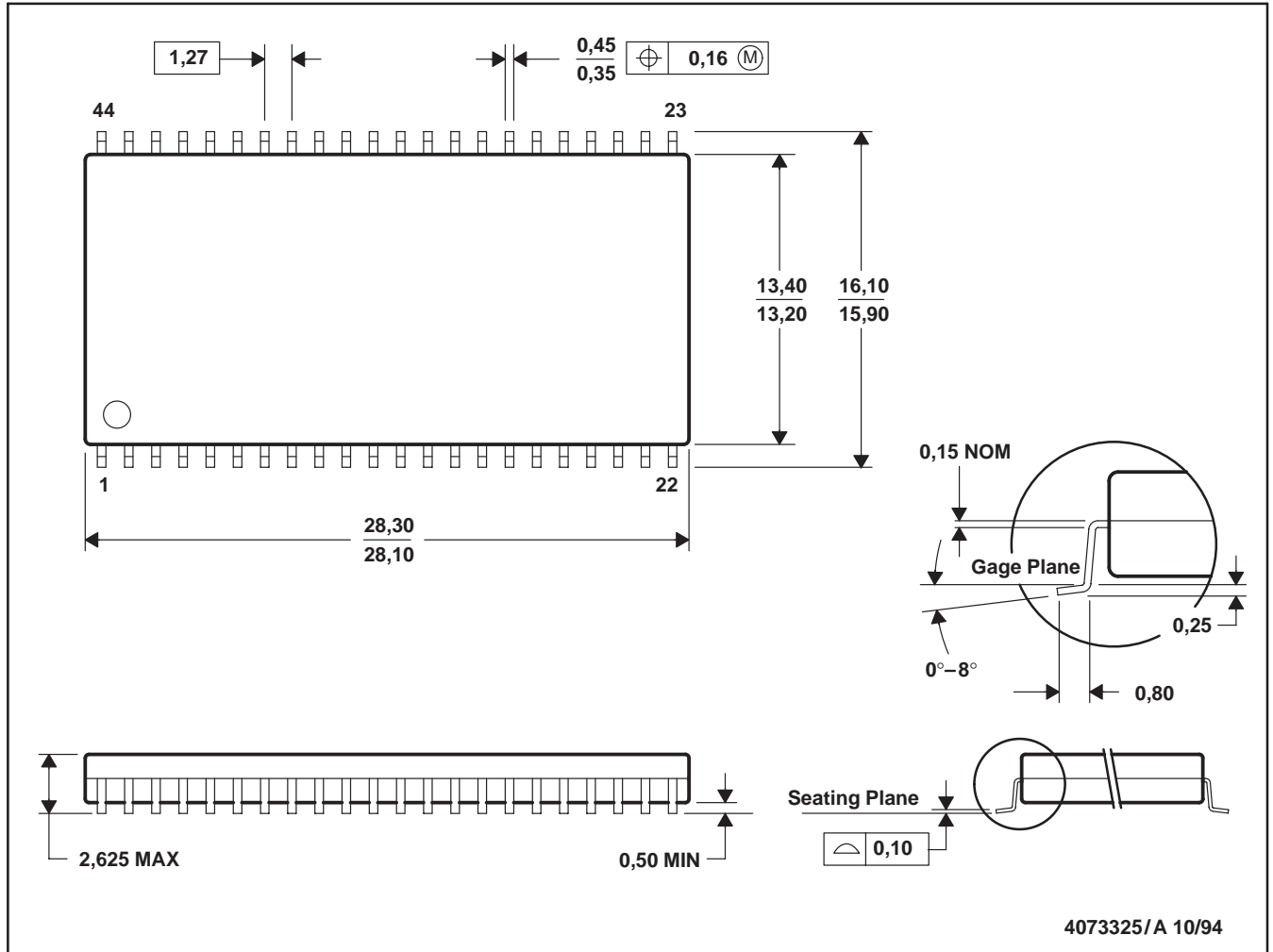


Figure 17. \overline{BYTE} Timing, Changing From Byte-Wide to Word-Wide Mode

MECHANICAL DATA

DBJ (R-PDSO-G44)

PLASTIC SMALL-OUTLINE PACKAGE



- NOTES: A. All linear dimensions are in millimeters.
 B. This drawing is subject to change without notice.
 C. Body dimensions do not include mold flash or protrusion.

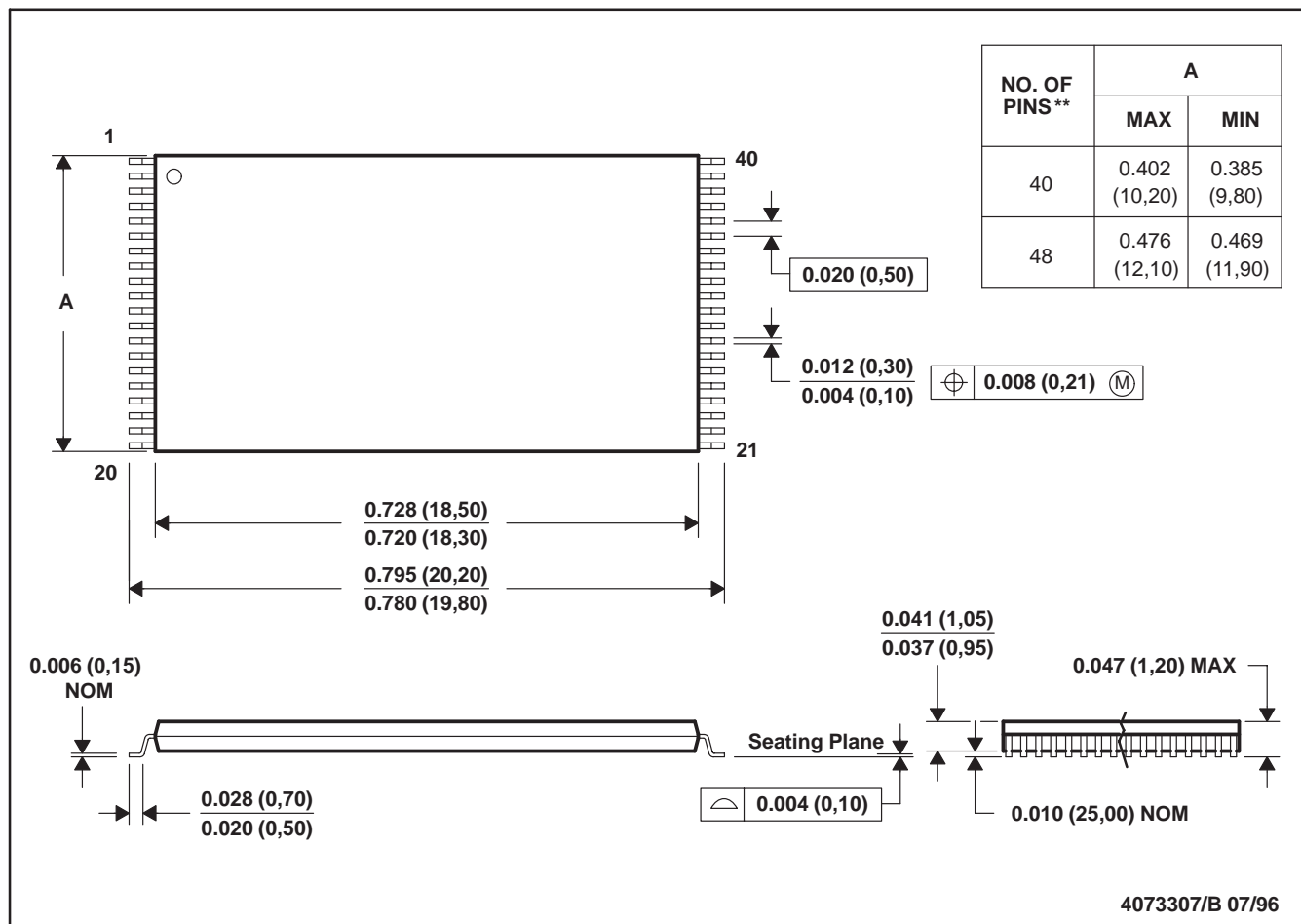
TMS28F002Axy, TMS28F200Axy
 262144 BY 8-BIT/131072 BY 16-BIT
 AUTO-SELECT BOOT-BLOCK FLASH MEMORIES
 SMJS826D – JANUARY 1996 – REVISED SEPTEMBER 1997

MECHANICAL DATA

DCD (R-PDSO-G**)

PLASTIC DUAL SMALL-OUTLINE PACKAGE

40 PIN SHOWN



NOTES: A. All linear dimensions are in inches (millimeters).
 B. This drawing is subject to change without notice.

IMPORTANT NOTICE

Texas Instruments and its subsidiaries (TI) reserve the right to make changes to their products or to discontinue any product or service without notice, and advise customers to obtain the latest version of relevant information to verify, before placing orders, that information being relied on is current and complete. All products are sold subject to the terms and conditions of sale supplied at the time of order acknowledgement, including those pertaining to warranty, patent infringement, and limitation of liability.

TI warrants performance of its semiconductor products to the specifications applicable at the time of sale in accordance with TI's standard warranty. Testing and other quality control techniques are utilized to the extent TI deems necessary to support this warranty. Specific testing of all parameters of each device is not necessarily performed, except those mandated by government requirements.

CERTAIN APPLICATIONS USING SEMICONDUCTOR PRODUCTS MAY INVOLVE POTENTIAL RISKS OF DEATH, PERSONAL INJURY, OR SEVERE PROPERTY OR ENVIRONMENTAL DAMAGE ("CRITICAL APPLICATIONS"). TI SEMICONDUCTOR PRODUCTS ARE NOT DESIGNED, AUTHORIZED, OR WARRANTED TO BE SUITABLE FOR USE IN LIFE-SUPPORT DEVICES OR SYSTEMS OR OTHER CRITICAL APPLICATIONS. INCLUSION OF TI PRODUCTS IN SUCH APPLICATIONS IS UNDERSTOOD TO BE FULLY AT THE CUSTOMER'S RISK.

In order to minimize risks associated with the customer's applications, adequate design and operating safeguards must be provided by the customer to minimize inherent or procedural hazards.

TI assumes no liability for applications assistance or customer product design. TI does not warrant or represent that any license, either express or implied, is granted under any patent right, copyright, mask work right, or other intellectual property right of TI covering or relating to any combination, machine, or process in which such semiconductor products or services might be or are used. TI's publication of information regarding any third party's products or services does not constitute TI's approval, warranty or endorsement thereof.