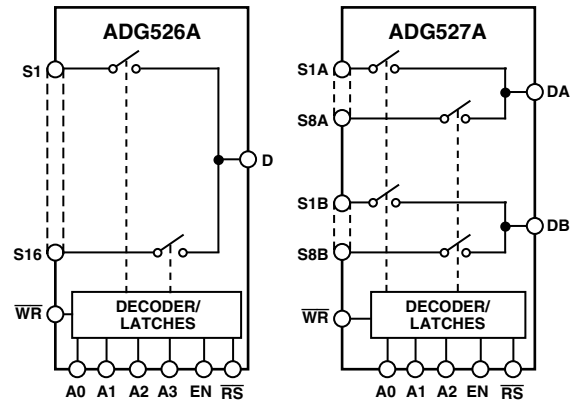


## ADG526A/ADG527A

### FEATURES

**44 V Supply Maximum Rating**  
 **$V_{SS}$  to  $V_{DD}$  Analog Signal Range**  
**Single/Dual Supply Specifications**  
**Wide Supply Ranges (10.8 V to 16.5 V)**  
**Microprocessor Compatible (100 ns  $\overline{WR}$  Pulse)**  
**Extended Plastic Temperature Range ( $-40^{\circ}\text{C}$  to  $+85^{\circ}\text{C}$ )**  
**Low Leakage (20 pA Typ)**  
**Low Power Dissipation (28 mW Max)**  
**Available in DIP, SOIC, PLCC, and LCCC Packages**  
**Superior Alternative to: DG526, DG527**

### FUNCTIONAL BLOCK DIAGRAM



### GENERAL DESCRIPTION

The ADG526A and ADG527A are CMOS monolithic analog multiplexers with 16 channels and dual 8 channels respectively. On-chip latches facilitate microprocessor interfacing. The ADG526A switches one of 16 inputs to a common output depending on the state of four binary addresses and an enable input. The ADG527A switches one of eight differential inputs to a common differential output depending on the state of three binary addresses and an enable input. Both devices have TTL and 5 V CMOS logic compatible digital inputs.

The ADG526A and ADG527A are designed on an enhanced  $\text{LC}^2\text{MOS}$  process which gives an increased signal capability of  $V_{SS}$  to  $V_{DD}$  and enables operation over a wide range of supply voltages. The devices can comfortably operate anywhere in the 10.8 V to 16.5 V single or dual supply range. These multiplexers also feature high switching speeds and low  $R_{ON}$ .

### PRODUCT HIGHLIGHTS

1. Single/Dual Supply Specifications with a Wide Tolerance: The devices are specified in the 10.8 V to 16.5 V range for both single and dual supplies.
2. Easily Interfaced: The ADG526A and ADG527A can be easily interfaced with microprocessors. The  $\overline{WR}$  signal latches the state of the Address control lines and the Enable line. The  $\overline{RS}$  signal clears both the address and enable data in the latches resulting in no output (all switches off).  $\overline{RS}$  can be tied to the microprocessor reset pin.
3. Extended Signal Range: The enhanced  $\text{LC}^2\text{MOS}$  processing results in a high breakdown and an increased analog signal range of  $V_{SS}$  to  $V_{DD}$ .
4. Break-Before-Make Switching: Switches are guaranteed break-before-make so that input signals are protected against momentary shorting.
5. Low Leakage: Leakage currents in the range of 20 pA make these multiplexers suitable for high precision circuits.

### REV. B

Information furnished by Analog Devices is believed to be accurate and reliable. However, no responsibility is assumed by Analog Devices for its use, nor for any infringements of patents or other rights of third parties that may result from its use. No license is granted by implication or otherwise under any patent or patent rights of Analog Devices.

# ADG526A/ADG527A—SPECIFICATIONS

Dual Supply ( $V_{DD} = +10.8\text{ V to }+16.5\text{ V}$ ,  $V_{SS} = -10.8\text{ V to }-16.5\text{ V}$  unless otherwise noted.)

Parameter	ADG526A/ADG527A				ADG526A		Unit	Comments
	K Version		B Version		T Version			
	25°C	-40°C to +85°C	25°C	-40°C to +85°C	25°C	-55°C to +125°C		
<b>ANALOG SWITCH</b>								
Analog Signal Range	$V_{SS}$	$V_{SS}$	$V_{SS}$	$V_{SS}$	$V_{SS}$	$V_{SS}$	V min	
	$V_{DD}$	$V_{DD}$	$V_{DD}$	$V_{DD}$	$V_{DD}$	$V_{DD}$	V max	
$R_{ON}$	280		280		280		$\Omega$ typ	-10 V $\leq V_S \leq$ +10 V, $I_{DS} = 1\text{ mA}$ ; Test Circuit 1
	450	600	450	600	450	600	$\Omega$ max	
	300	400	300	400			$\Omega$ max	$V_{DD} = 15\text{ V }(\pm 10\%)$ , $V_{SS} = -15\text{ V }(\pm 10\%)$
$R_{ON}$ Drift	0.6		0.6		300	400	$\Omega$ max	$V_{DD} = 15\text{ V }(\pm 5\%)$ , $V_{SS} = -15\text{ V }(\pm 5\%)$
$R_{ON}$ Match	5		5				%/°C typ	-10 V $\leq V_S \leq$ +10 V, $I_{DS} = 1\text{ mA}$
$I_S$ (OFF), Off Input Leakage	0.02		0.02		0.02		nA typ	-10 V $\leq V_S \leq$ +10 V, $I_{DS} = 1\text{ mA}$
	1	50	1	50	1	50	nA max	$V_1 = \pm 10\text{ V}$ , $V_2 = \mp 10\text{ V}$ ; Test Circuit 2
$I_D$ (OFF), Off Output Leakage	0.04		0.04		0.04		nA typ	$V_1 = \pm 10\text{ V}$ , $V_2 = \mp 10\text{ V}$ , Test Circuit 3
ADG526A	1	200	1	200	1	200	nA max	
ADG527A	1	100	1	100			nA max	
$I_D$ (ON), On Channel Leakage	0.04		0.04		0.04		nA typ	$V_1 = \pm 10\text{ V}$ , $V_2 = \mp 10\text{ V}$ ; Test Circuit 4
ADG526A	1	200	1	200	1	200	nA max	
ADG527A	1	100	1	100			nA max	
$I_{DIFF}$ , Differential Off Output Leakage (ADG527A Only)		25		25			nA max	$V_1 = \pm 10\text{ V}$ , $V_2 = \mp 10\text{ V}$ ; Test Circuit 5
<b>DIGITAL CONTROL</b>								
$V_{INH}$ , Input High Voltage		2.4		2.4		2.4	V min	
$V_{INL}$ , Input Low Voltage		0.8		0.8		0.8	V max	
$I_{INL}$ or $I_{INH}$		1		1		1	$\mu\text{A}$ max	$V_{IN} = 0$ to $V_{DD}$
$C_{IN}$ Digital Input Capacitance	8		8		8		pF max	
<b>DYNAMIC CHARACTERISTICS*</b>								
$t_{TRANSITION}$	200		200		200		ns typ	$V_1 = \pm 10\text{ V}$ , $V_2 = \mp 10\text{ V}$ ; Test Circuit 6
	300	400	300	400	300	400	ns max	
$t_{OPEN}$	50		50		50		ns typ	Test Circuit 7
	25	10	25	10	25	10	ns min	
$t_{ON}$ (EN, $\overline{WR}$ )	200		200		200		ns typ	Test Circuit 8 and 9
	300	400	300	400	300	400	ns max	
$t_{OFF}$ (EN, $\overline{RS}$ )	200		200		200		ns typ	Test Circuit 8 and 10
	300	400	300	400	300	400	ns max	
$t_W$ Write Pulsewidth	100	120	100	120	100	130	ns min	See Figure 1
$t_S$ Address Enable Setup Time		100		100		100	ns min	See Figure 1
$t_H$ Address Enable Hold Time		10		10		10	ns min	See Figure 1
$t_{RS}$ Reset Pulsewidth		100		100		100	ns min	See Figure 2
OFF Isolation	68		68		68		dB typ	$V_{EN} = 0.8\text{ V}$ , $R_L = 1\text{ k}\Omega$ , $C_L = 15\text{ pF}$ , $V_S = 7\text{ V rms}$ , $f = 100\text{ kHz}$
	50		50		50		dB min	$V_S = 7\text{ V rms}$ , $f = 100\text{ kHz}$
$C_S$ (OFF)	5		5		5		pF typ	$V_{EN} = 0.8\text{ V}$
$C_D$ (OFF)								
ADG526A	44		44		44		pF typ	$V_{EN} = 0.8\text{ V}$
ADG527A	22		22				pF typ	
$Q_{INJ}$ , Charge Injection	4		4		4		pC typ	$R_S = 0\ \Omega$ , $V_S = 0\text{ V}$ ; Test Circuit 11
<b>POWER SUPPLY</b>								
$I_{DD}$	0.6		0.6		0.6		mA typ	$V_{IN} = V_{INL}$ or $V_{INH}$
		1.5		1.5		1.5	mA max	
$I_{SS}$	20		20		20		$\mu\text{A}$ typ	$V_{IN} = V_{INL}$ or $V_{INH}$
		0.2		0.2		0.2	mA max	
Power Dissipation	10		10		10		mW typ	
		28		28		28	mW max	

\*Sample tested at 25°C to ensure compliance.

Specifications subject to change without notice.

Single Supply ( $V_{DD} = 10.8\text{ V to }16.5\text{ V}$ ,  $V_{SS} = \text{GND to }0\text{ V}$  unless otherwise noted.)

Parameter	ADG526A/ADG527A				ADG526A		Unit	Comments
	K Version		B Version		T Version			
	25°C	-40°C to +85°C	25°C	-40°C to +85°C	25°C	-55°C to +125°C		
<b>ANALOG SWITCH</b>								
Analog Signal Range	$V_{SS}$	$V_{SS}$	$V_{SS}$	$V_{SS}$	$V_{SS}$	$V_{SS}$	V min	
	$V_{DD}$	$V_{DD}$	$V_{DD}$	$V_{DD}$	$V_{DD}$	$V_{DD}$	V max	
$R_{ON}$	500		500		500		$\Omega$ typ	$0\text{ V} \leq V_S \leq 10\text{ V}$ , $I_{DS} = 0.5\text{ mA}$ ; Test Circuit 1
$R_{ON}$ Drift	700	1000	700	1000	700	1000	$\Omega$ max	
$R_{ON}$ Match	0.6		0.6		0.6		%/°C typ	$0\text{ V} \leq V_S \leq 10\text{ V}$ , $I_{DS} = 0.5\text{ mA}$
$I_S$ (OFF), Off Input Leakage	5		5		5		% typ	$0\text{ V} \leq V_S \leq 10\text{ V}$ , $I_{DS} = 0.5\text{ mA}$
	0.02		0.02		0.02		nA typ	$V_1 = 10\text{ V}/0\text{ V}$ , $V_2 = 0\text{ V}/10\text{ V}$ ; Test Circuit 2
$I_D$ (OFF), Off Output Leakage	1	50	1	50	1	50	nA max	
	0.04		0.04		0.04		nA typ	$V_1 = 10\text{ V}/0\text{ V}$ , $V_2 = 0\text{ V}/10\text{ V}$ ; Test Circuit 3
ADG526A	1	200	1	200	1	200	nA max	
ADG527A	1	100	1	100			nA max	
$I_D$ (ON), On Channel Leakage	0.04		0.04		0.04		nA typ	$V_1 = 10\text{ V}/0\text{ V}$ , $V_2 = 0\text{ V}/10\text{ V}$ ; Test Circuit 4
ADG526A	1	200	1	200	1	200	nA max	
ADG527A	1	100	1	100			nA max	
$I_{DIFF}$ , Differential Off Output Leakage (ADG527A only)		25		25			nA max	$V_1 = 10\text{ V}/0\text{ V}$ , $V_2 = 0\text{ V}/10\text{ V}$ ; Test Circuit 5
<b>DIGITAL CONTROL</b>								
$V_{INH}$ , Input High Voltage		2.4		2.4		2.4	V min	
$V_{INL}$ , Input Low Voltage		0.8		0.8		0.8	V max	
$I_{INL}$ or $I_{INH}$		1		1		1	$\mu\text{A}$ max	$V_{IN} = 0\text{ to }V_{DD}$
$C_{IN}$ Digital Input Capacitance	8		8		8		pF max	
<b>DYNAMIC CHARACTERISTICS*</b>								
$t_{TRANSITION}$	300		300		300		ns typ	$V_1 = 10\text{ V}/0\text{ V}$ , $V_2 = 0\text{ V}/10\text{ V}$ ; Test Circuit 6
	450	600	450	600	450	600	ns max	Test Circuit 7
$t_{OPEN}$	50		50		50		ns typ	
	25	10	25	10	25	10	ns min	
$t_{ON}$ (EN, $\overline{WR}$ )	250		250		250		ns typ	Test Circuits 8 and 9
	450	600	450	600	450	600	ns max	
$t_{OFF}$ (EN, $\overline{RS}$ )	250		250		250		ns typ	Test Circuits 8 and 10
	450	600	450	600	450	600	ns max	
$t_W$ Write Pulsewidth	100	120	100	120	100	130	ns min	See Figure 1
$t_S$ Address Enable Setup Time		100		100		100	ns min	See Figure 1
$t_H$ Address Enable Hold Time		10		10		10	ns min	See Figure 1
$t_{RS}$ Reset Pulsewidth		100		100		100	ns min	See Figure 2
OFF Isolation	68		68		68		dB typ	$V_{EN} = 0.8\text{ V}$ , $R_L = 1\text{ k}\Omega$ , $C_L = 15\text{ pF}$
	50		50		50		dB min	$V_S = 3.5\text{ V rms}$ , $f = 100\text{ kHz}$
$C_S$ (OFF)	5		5		5		pF typ	$V_{EN} = 0.8\text{ V}$
$C_D$ (OFF)								
ADG526A	44		44		44		pF typ	$V_{EN} = 0.8\text{ V}$
ADG527A	22		22				pF typ	
$Q_{INJ}$ , Charge Injection	4		4		4		pC typ	$R_S = 0\text{ }\Omega$ , $V_S = 0\text{ V}$ ; Test Circuit 11
<b>POWER SUPPLY</b>								
$I_{DD}$	0.6		0.6		0.6		mA typ	$V_{IN} = V_{INL}$ or $V_{INH}$
		1.5		1.5		1.5	mA max	
Power Dissipation	11		11		11		mW typ	
		25		25		25	mW max	

\*Sample tested at 25°C to ensure compliance.  
Specifications subject to change without notice.

# ADG526A/ADG527A

## TIMING DIAGRAMS

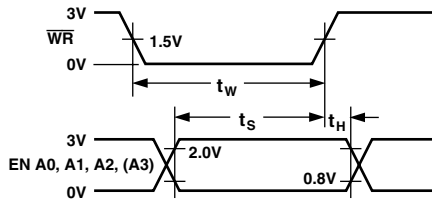


Figure 1.

Figure 1 shows the timing sequence for latching the switch address and enable inputs. The latches are level-sensitive; therefore, while  $\overline{WR}$  is held low, the latches are transparent and the switches respond to the address and enable inputs. This input data is latched on the rising edge of  $\overline{WR}$ .

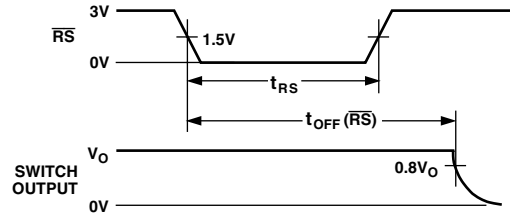


Figure 2.

Figure 2 shows the Reset Pulsewidth,  $t_{RS}$ , and Reset Turn-off Time,  $t_{OFF}(\overline{RS})$ .

Note: All digital input signals rise and fall times measured from 10% to 90% of 3 V,  $t_R = t_F = 20$  ns.

## ABSOLUTE MAXIMUM RATINGS<sup>1</sup>

( $T_A = 25^\circ\text{C}$  unless otherwise noted.)

$V_{DD}$ to $V_{SS}$ .....	44 V
$V_{DD}$ to GND .....	25 V
$V_{SS}$ to GND .....	-25 V
Analog Inputs <sup>2</sup>	
Voltage at S, D .....	$V_{SS} - 2$ V to $V_{DD} + 2$ V
.....	or 20 mA, Whichever Occurs First
Continuous Current, S or D .....	20 mA
Pulsed Current S or D .....	
1 ms Duration, 10% Duty Cycle .....	40 mA
Digital Inputs <sup>2</sup>	
Voltage at A, EN, $\overline{WR}$ , $\overline{RS}$ .....	$V_{SS} - 4$ V to $V_{DD} + 4$ V
.....	or 20 mA, Whichever Occurs First
Power Dissipation (Any Package)	
Up to $75^\circ\text{C}$ by .....	470 mW
Derates above $75^\circ\text{C}$ by .....	6 mW/ $^\circ\text{C}$
Operating Temperature	
Commercial (K Version) .....	$-40^\circ\text{C}$ to $+85^\circ\text{C}$
Industrial (B Version) .....	$-40^\circ\text{C}$ to $+85^\circ\text{C}$
Extended (T Version) .....	$-55^\circ\text{C}$ to $+125^\circ\text{C}$
Storage Temperature Range .....	$-65^\circ\text{C}$ to $+150^\circ\text{C}$
Lead Temperature (Soldering, 10 sec) .....	$300^\circ\text{C}$

## NOTES

<sup>1</sup>Stresses above those listed under Absolute Maximum Ratings may cause permanent damage to the device. This is a stress rating only; and functional operation of the device at these or any other conditions above those indicated in the operational sections of this specification is not implied. Exposure to absolute maximum rating condition for extended periods may affect device reliability.

<sup>2</sup>Overvoltage at A, EN,  $\overline{WR}$ ,  $\overline{RS}$ , S, or D will be clamped by diodes. Current should be limited to the maximum rating above.

## CAUTION

ESD (electrostatic discharge) sensitive device. Electrostatic charges as high as 4000 V readily accumulate on the human body and test equipment and can discharge without detection. Although the ADG526A/ADG527A features proprietary ESD protection circuitry, permanent damage may occur on devices subjected to high-energy electrostatic discharges. Therefore, proper ESD precautions are recommended to avoid performance degradation or loss of functionality.

## ORDERING GUIDE

Model <sup>1</sup>	Temperature Range	Package Option <sup>2</sup>
ADG526AKN	$-40^\circ\text{C}$ to $+85^\circ\text{C}$	N-28
ADG526AKR	$-40^\circ\text{C}$ to $+85^\circ\text{C}$	R-28
ADG526AKP	$-40^\circ\text{C}$ to $+85^\circ\text{C}$	P-28A
ADG526ABQ	$-40^\circ\text{C}$ to $+85^\circ\text{C}$	Q-28
ADG526ATQ <sup>3</sup>	$-55^\circ\text{C}$ to $+125^\circ\text{C}$	Q-28
ADG526ATE <sup>3</sup>	$-55^\circ\text{C}$ to $+125^\circ\text{C}$	E-28A
ADG527AKN	$-40^\circ\text{C}$ to $+85^\circ\text{C}$	N-28
ADG527AKR	$-40^\circ\text{C}$ to $+85^\circ\text{C}$	R-28
ADG527AKP	$-40^\circ\text{C}$ to $+85^\circ\text{C}$	P-28A
ADG527ABQ	$-40^\circ\text{C}$ to $+85^\circ\text{C}$	Q-28

## NOTES

<sup>1</sup>To order MIL-STD-883, Class B processed parts, add /883B to part number.

See Analog Devices Military Products Databook (1990) for military data.

<sup>2</sup>E = Leadless Ceramic Chip Carrier; N = Narrow Plastic DIP; P = Plastic Leaded Chip Carrier; Q = CERDIP; R = 0.3" Small Outline IC (SOIC).

<sup>3</sup>Standard Military Drawing (SMD) assigned by DESC. SMD numbers are:

5962-89710013X (ADG526ATE/883B)

5962-8971001XX (ADG526ATQ/883B)



TRUTH TABLES

ADG526A

A3	A2	A1	A0	EN	$\overline{WR}$	$\overline{RS}$	ON SWITCH
X	X	X	X	X	$\overline{f}$	1	Retains Previous Switch Condition
X	X	X	X	X	X	0	NONE (Address and Enable Latches Cleared)
X	X	X	X	0	0	1	NONE
0	0	0	0	1	0	1	1
0	0	0	1	1	0	1	2
0	0	1	0	1	0	1	3
0	0	1	1	1	0	1	4
0	1	0	0	1	0	1	5
0	1	0	1	1	0	1	6
0	1	1	0	1	0	1	7
0	1	1	1	1	0	1	8
1	0	0	0	1	0	1	9
1	0	0	1	1	0	1	10
1	0	1	0	1	0	1	11
1	0	1	1	1	0	1	12
1	1	0	0	1	0	1	13
1	1	0	1	1	0	1	14
1	1	1	0	1	0	1	15
1	1	1	1	1	0	1	16

X = Don't Care

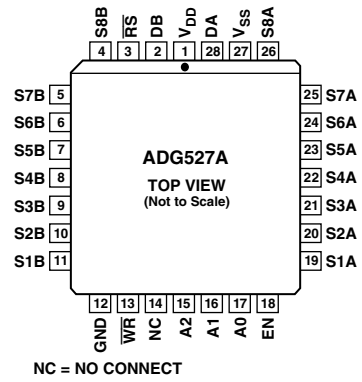
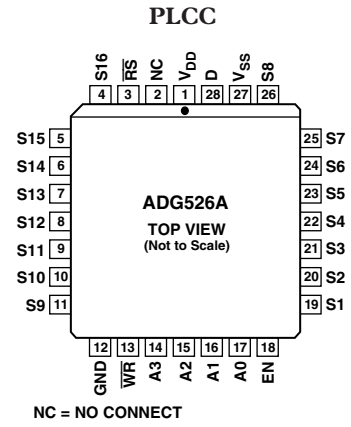
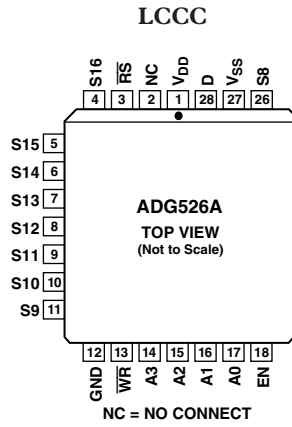
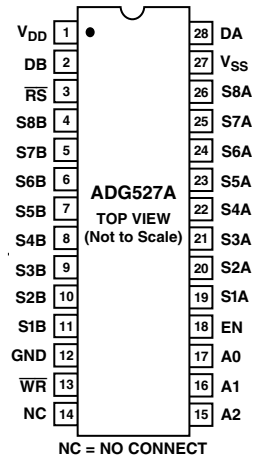
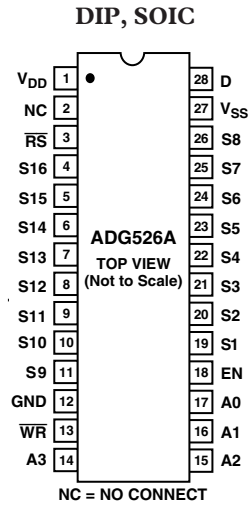
ADG527A

A2	A1	A0	EN	$\overline{WR}$	$\overline{RS}$	ON SWITCH PAIR
X	X	X	X	$\overline{f}$	1	Retains Previous Switch Condition
X	X	X	X	X	0	NONE (Address and Enable Latches Cleared)
X	X	X	0	0	1	NONE
0	0	0	1	0	1	1
0	0	1	1	0	1	2
0	1	0	1	0	1	3
0	1	1	1	0	1	4
1	0	0	1	0	1	5
1	0	1	1	0	1	6
1	1	0	1	0	1	7
1	1	1	1	0	1	8

X = Don't Care

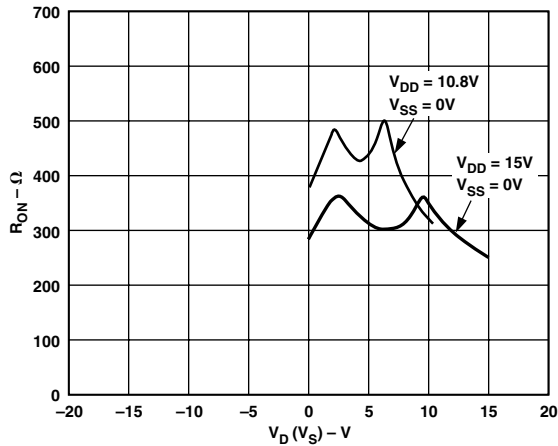
# ADG526A/ADG527A

## PIN CONFIGURATIONS

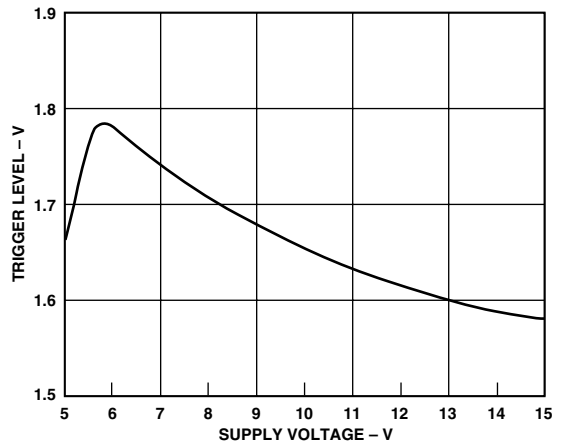


# Typical Performance Characteristics—ADG526A/ADG527A

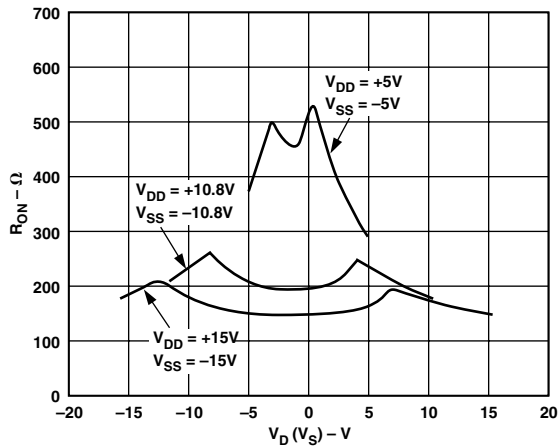
The multiplexers are guaranteed functional with reduced single or dual supplies down to 4.5 V.



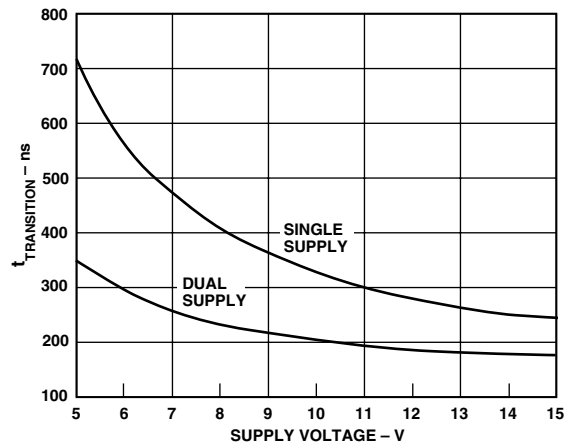
TPC 1.  $R_{ON}$  as a Function of  $V_D$  ( $V_S$ ); Dual Supply Voltage,  $T_A = 25^\circ\text{C}$



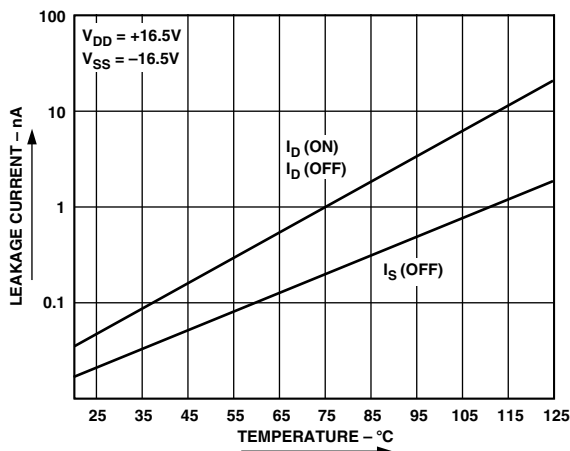
TPC 4. Trigger Levels vs. Power Supply Voltage, Dual or Single Supply,  $T_A = 25^\circ\text{C}$



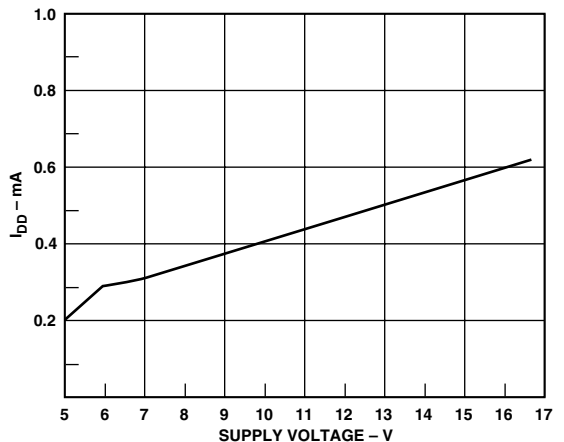
TPC 2.  $R_{ON}$  as a Function of  $V_D$  ( $V_S$ ); Single Supply Voltage,  $T_A = 25^\circ\text{C}$



TPC 5.  $t_{TRANSITION}$  vs. Supply Voltage: Dual and Single Supplies,  $T_A = 25^\circ\text{C}$  (Note: For  $V_{DD}$  and  $V_{SS} < 10\text{V}$ ;  $V_1 = V_{DD}/V_{SS}$ ,  $V_2 = V_{SS}/V_{DD}$ ; See Test Circuit 6)

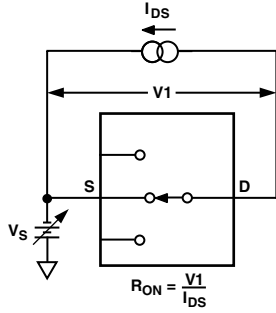


TPC 3. Leakage Current as a Function of Temperature (Note: Leakage Currents Reduce as the Supply Voltages Reduce)

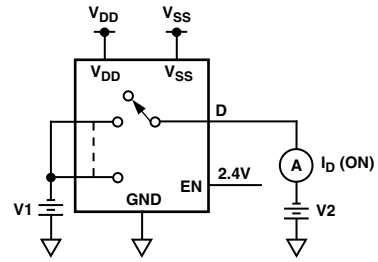


TPC 6.  $I_{DD}$  vs. Supply Voltage: Dual or Single Supply,  $T_A = 25^\circ\text{C}$

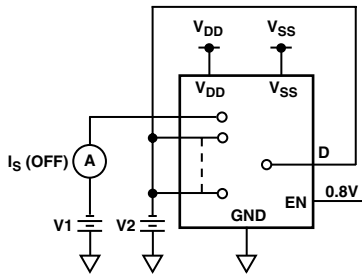
# ADG526A/ADG527A—Test Circuits



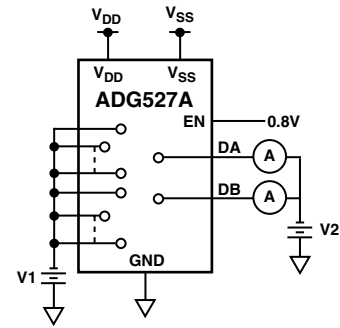
Test Circuit 1.  $R_{ON}$



Test Circuit 4.  $I_D$  (ON)

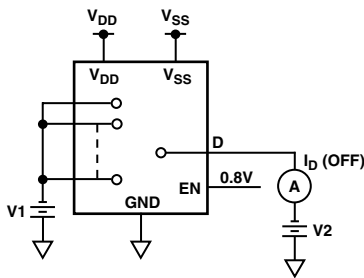


Test Circuit 2.  $I_S$  (OFF)

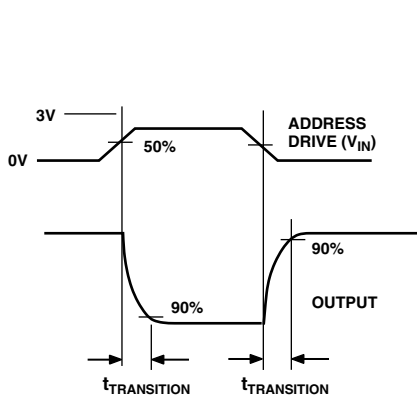


$$I_{DIFF} = I_{DA} (OFF) - I_{DB} (OFF)$$

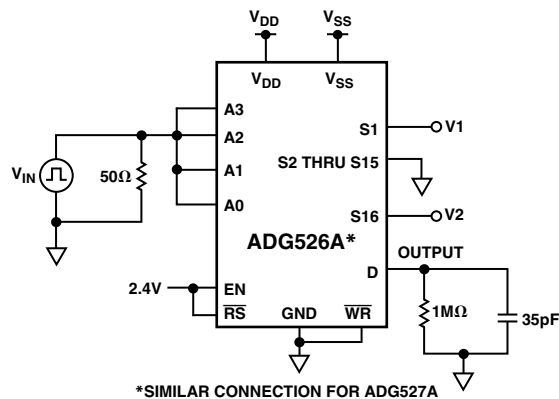
Test Circuit 5.  $I_{DIFF}$



Test Circuit 3.  $I_D$  (OFF)

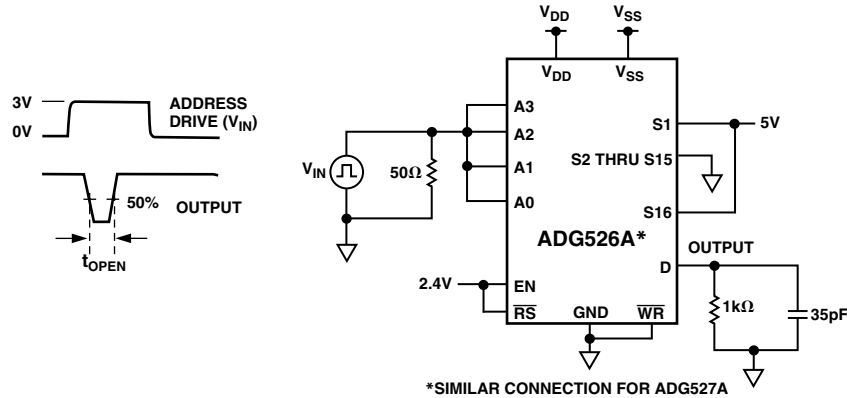


Test Circuit 6. Switching Time of Multiplexer,  $t_{TRANSITION}$

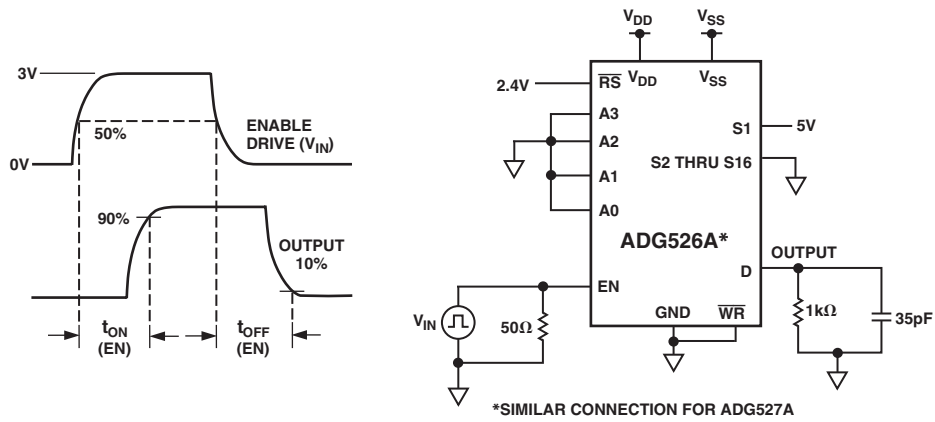


\*SIMILAR CONNECTION FOR ADG527A

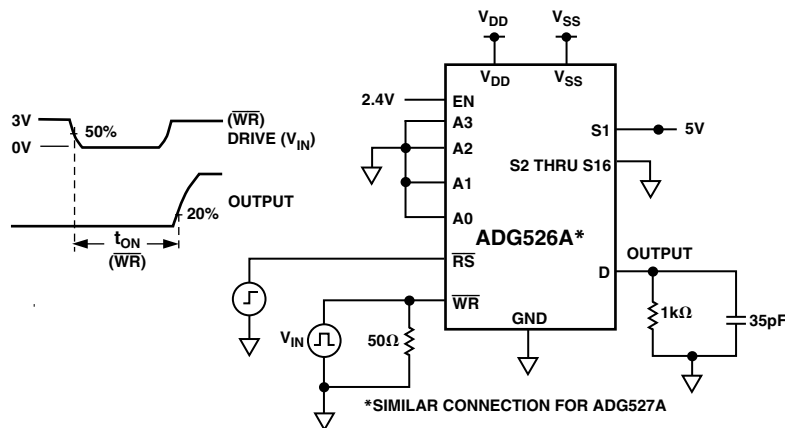




Test Circuit 7. Break-Before-Make Delay,  $t_{OPEN}$



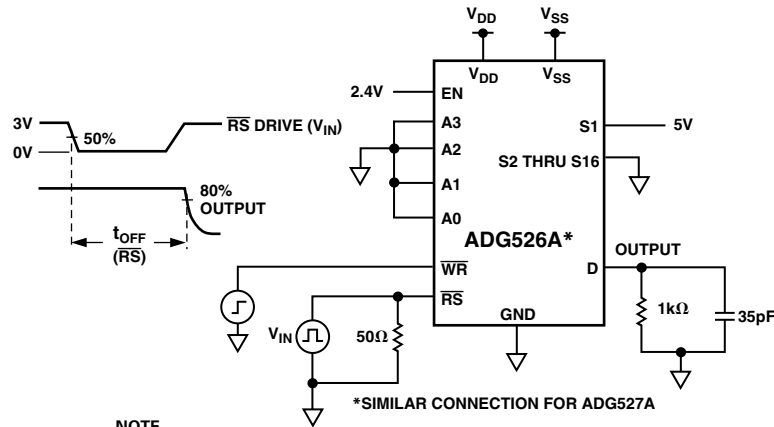
Test Circuit 8. Enable Delay,  $t_{ON} (EN)$ ,  $t_{OFF} (EN)$



NOTE  
DEVICE MUST BE RESET PRIOR TO  
APPLYING  $\overline{WR}$  PULSE

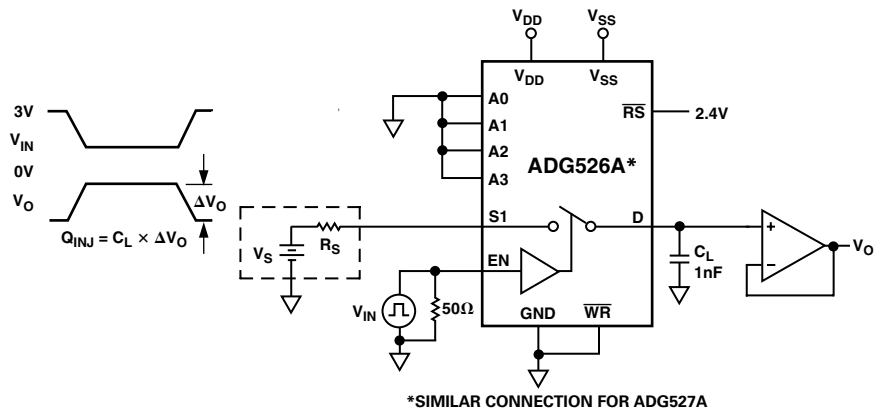
Test Circuit 9. Write Turn-On Time,  $t_{ON} (\overline{WR})$

# ADG526A/ADG527A



NOTE  
DEVICE  $\overline{WR}$  MUST PULSED LOW  
PRIOR TO APPLYING RS PULSE

Test Circuit 10. Reset Turn-Off Time,  $t_{OFF}(\overline{RS})$



Test Circuit 11. Charge Injection

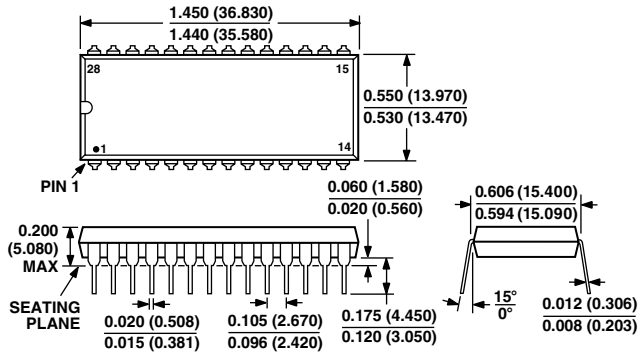
## TERMINOLOGY

$R_{ON}$	Ohmic resistance between terminals D and S
$R_{ON}$ Match	Difference between the $R_{ON}$ of any two channels
$R_{ON}$ Drift	Change in $R_{ON}$ versus temperature
$I_S$ (OFF)	Source terminal leakage current when the switch is off
$I_D$ (OFF)	Drain terminal leakage current when the switch is off
$I_D$ (ON)	Leakage current that flows from the closed switch into the body
$V_S$ ( $V_D$ )	Analog voltage on terminal S or D
$C_S$ (OFF)	Channel input capacitance for "OFF" condition
$C_D$ (OFF)	Channel output capacitance for "OFF" condition
$C_{IN}$	Digital input capacitance
$t_{ON}$ (EN)	Delay time between the 50% and 90% points of the digital input and switch "ON" condition
$t_{OFF}$ (EN)	Delay time between the 50% and 10% points of the digital input and switch "OFF" condition
$t_{TRANSITION}$	Delay time between the 50% and 90% points of the digital inputs and switch "ON" condition when switching from one address state to another
$t_{OPEN}$	"OFF" time measured between 50% points of both switches when switching from one address state to another
$V_{INL}$	Maximum input voltage for Logic "0"
$V_{INH}$	Minimum input voltage for Logic "1"
$I_{INL}$ ( $I_{INH}$ )	Input current of the digital input
$V_{DD}$	Most positive voltage supply
$V_{SS}$	Most negative voltage supply
$I_{DD}$	Positive supply current
$I_{SS}$	Negative supply current

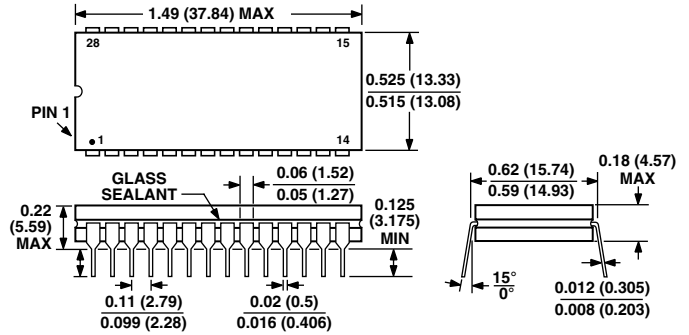
## OUTLINE DIMENSIONS

Dimensions shown in inches and (mm).

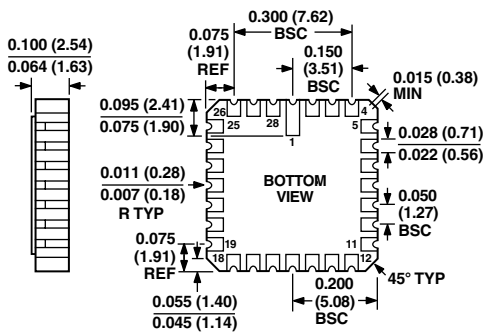
**28-Lead Plastic DIP (Suffix N)  
(N-28)**



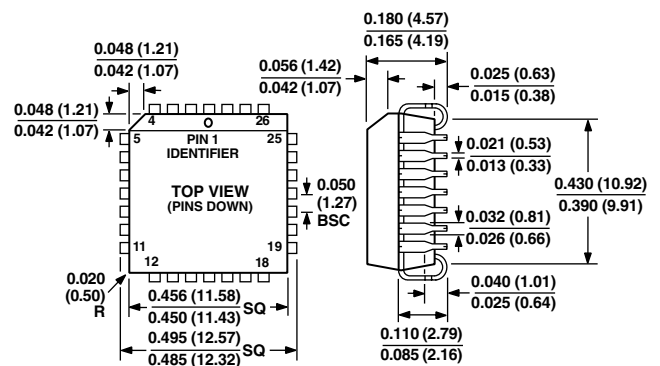
**28-Lead Cerdip (Suffix Q)  
(Q-28)**



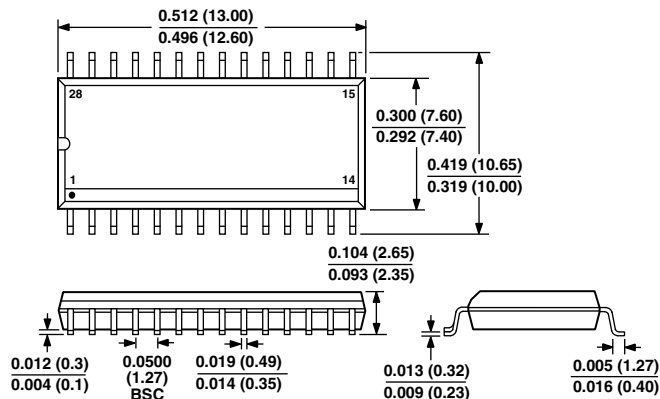
**28-Terminal Leadless Ceramic Chip Carrier (Suffix E)  
(E-28A)**



**28-Terminal Plastic Leaded Chip Carrier (Suffix P)  
(P-28A)**



**28-Lead SOIC (R) Package  
(R-28)**



# ADG526A/ADG527A

## Revision History

<b>Location</b>	<b>Page</b>
<b>Data Sheet changed from REV. A to REV. B.</b>	
Edits to Specifications Table, Dual Supply .....	2
Edits to Specifications Table, Single Supply .....	3
Edits to ORDERING GUIDE .....	4
Removal of one PIN CONFIGURATION and diagram .....	6

C01532-0-2/02(B)

PRINTED IN U.S.A.