

DATA SHEET

For a complete data sheet, please also download:

- The IC06 74HC/HCT/HCU/HCMOS Logic Family Specifications
- The IC06 74HC/HCT/HCU/HCMOS Logic Package Information
- The IC06 74HC/HCT/HCU/HCMOS Logic Package Outlines

74HC/HCT73

**Dual JK flip-flop with reset;
negative-edge trigger**

Product specification
File under Integrated Circuits, IC06

December 1990

Dual JK flip-flop with reset; negative-edge trigger

74HC/HCT73

FEATURES

- Output capability: standard
- I_{CC} category: flip-flops

GENERAL DESCRIPTION

The 74HC/HCT73 are high-speed Si-gate CMOS devices and are pin compatible with low power Schottky TTL (LSTTL). They are specified in compliance with JEDEC standard no. 7A.

The 74HC/HCT73 are dual negative-edge triggered JK-type flip-flops featuring individual J, K, clock (\overline{nCP}) and reset (\overline{nR}) inputs; also complementary Q and \overline{Q} outputs.

The J and K inputs must be stable one set-up time prior to the HIGH-to-LOW clock transition for predictable operation.

The reset (\overline{nR}) is an asynchronous active LOW input. When LOW, it overrides the clock and data inputs, forcing the Q output LOW and the \overline{Q} output HIGH.

Schmitt-trigger action in the clock input makes the circuit highly tolerant to slower clock rise and fall times.

QUICK REFERENCE DATA

GND = 0 V; T_{amb} = 25 °C; t_r = t_f = 6 ns

SYMBOL	PARAMETER	CONDITIONS	TYPICAL		UNIT
			HC	HCT	
t _{PHL} / t _{PLH}	propagation delay	C _L = 15 pF; V _{CC} = 5 V			
	\overline{nCP} to nQ		16	15	ns
	\overline{nCP} to \overline{nQ}		16	18	ns
	\overline{nR} to nQ, \overline{nQ}		15	15	ns
f _{max}	maximum clock frequency		77	79	MHz
C _I	input capacitance		3.5	3.5	pF
C _{PD}	power dissipation capacitance per flip-flop	notes 1 and 2	30	30	pF

Notes

1. C_{PD} is used to determine the dynamic power dissipation (P_D in μW):

$$P_D = C_{PD} \times V_{CC}^2 \times f_i + \sum (C_L \times V_{CC}^2 \times f_o) \text{ where:}$$

f_i = input frequency in MHz

f_o = output frequency in MHz

∑ (C_L × V_{CC}² × f_o) = sum of outputs

C_L = output load capacitance in pF

V_{CC} = supply voltage in V

2. For HC the condition is V_I = GND to V_{CC}
For HCT the condition is V_I = GND to V_{CC} – 1.5 V

ORDERING INFORMATION

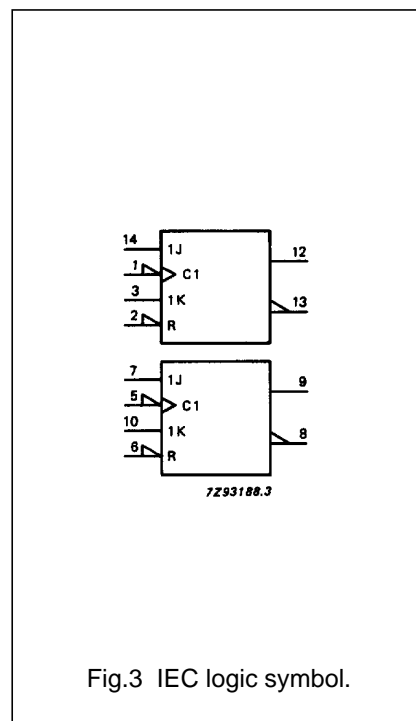
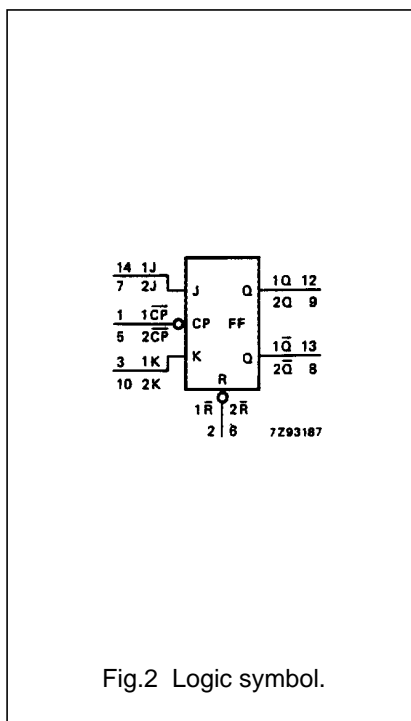
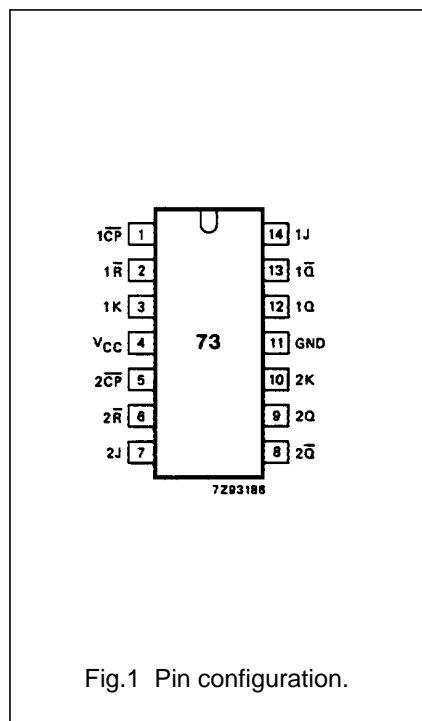
See "74HC/HCT/HCU/HCMOS Logic Package Information".

Dual JK flip-flop with reset; negative-edge trigger

74HC/HCT73

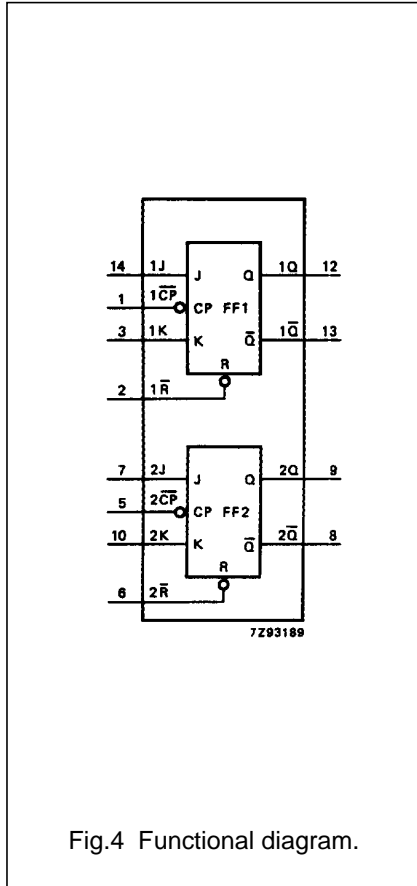
PIN DESCRIPTION

PIN NO.	SYMBOL	NAME AND FUNCTION
1, 5	$1\overline{CP}, 2\overline{CP}$	clock input (HIGH-to-LOW, edge-triggered)
2, 6	$1\overline{R}, 2\overline{R}$	asynchronous reset inputs (active LOW)
4	V_{CC}	positive supply voltage
11	GND	ground (0 V)
12, 9	1Q, 2Q	true flip-flop outputs
13, 8	$1\overline{Q}, 2\overline{Q}$	complement flip-flop outputs
14, 7, 3, 10	1J, 2J, 1K, 2K	synchronous inputs; flip-flops 1 and 2



Dual JK flip-flop with reset; negative-edge trigger

74HC/HCT73

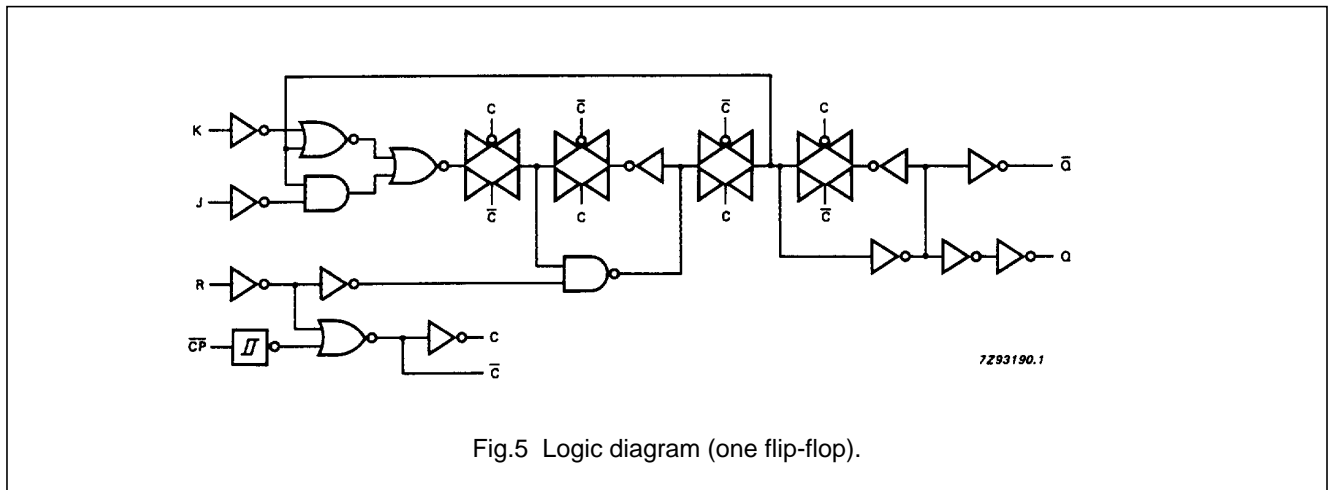


FUNCTION TABLE

OPERATING MODE	INPUTS				OUTPUTS	
	nR	nCP	J	K	Q	Q-bar
asynchronous reset	L	X	X	X	L	H
toggle	H	↓	h	h	q-bar	q
load "0" (reset)	H	↓	l	h	L	H
load "1" (set)	H	↓	h	l	H	L
hold "no change"	H	↓	l	l	q	q

Notes

- H = HIGH voltage level
h = HIGH voltage level one set-up time prior to the HIGH-to-LOW CP transition
L = LOW voltage level
l = LOW voltage level one set-up time prior to the HIGH-to-LOW CP transition
q = lower case letters indicate the state of the referenced output one set-up time prior to the HIGH-to-LOW CP transition
X = don't care
↓ = HIGH-to-LOW CP transition



Dual JK flip-flop with reset; negative-edge trigger

74HC/HCT73

DC CHARACTERISTICS FOR 74HC

For the DC characteristics see *"74HC/HCT/HCU/HCMOS Logic Family Specifications"*.

Output capability: standard

I_{CC} category: flip-flops

AC CHARACTERISTICS FOR 74HC

GND = 0 V; t_r = t_f = 6 ns; C_L = 50 pF

SYMBOL	PARAMETER	T _{amb} (°C)							UNIT	TEST CONDITIONS	
		74HC								V _{CC} (V)	WAVEFORMS
		+25			-40 to +85		-40 to +125				
		min.	typ.	max.	min.	max.	min.	max.			
t _{PHL} / t _{PLH}	propagation delay nCP to nQ		52 19 15	160 32 27		200 40 34		240 48 41	ns	2.0 4.5 6.0	Fig.6
t _{PHL} / t _{PLH}	propagation delay nCP to nQ̄		52 19 15	160 32 27		200 40 34		240 48 41	ns	2.0 4.5 6.0	Fig.6
t _{PHL} / t _{PLH}	propagation delay nR̄ to nQ, nQ̄		50 18 14	145 29 25		180 36 31		220 44 38	ns	2.0 4.5 6.0	Fig.7
t _{THL} / t _{TLH}	output transition time		19 7 6	75 15 13		95 19 16		110 22 19	ns	2.0 4.5 6.0	Fig.6
t _w	clock pulse width HIGH or LOW	80 16 14	22 8 6		100 20 17		120 24 20		ns	2.0 4.5 6.0	Fig.6
t _w	reset pulse width HIGH or LOW	80 16 14	22 8 6		100 20 17		120 24 20		ns	2.0 4.5 6.0	Fig.7
t _{rem}	removal time nR to nCP	80 16 14	22 8 6		100 20 17		120 24 20		ns	2.0 4.5 6.0	Fig.7
t _{su}	set-up time nJ, nK to nCP̄	80 16 14	22 8 6		100 20 17		120 24 20		ns	2.0 4.5 6.0	Fig.6
t _h	hold time nJ, nK to nCP̄	3 3 3	-8 -3 -2		3 3 3		3 3 3		ns	2.0 4.5 6.0	Fig.6
f _{max}	maximum clock pulse frequency	6.0 30 35	23 70 83		4.8 24 28		4.0 20 24		MHz	2.0 4.5 6.0	Fig.6

Dual JK flip-flop with reset; negative-edge trigger

74HC/HCT73

DC CHARACTERISTICS FOR 74HCT

For the DC characteristics see *"74HC/HCT/HCU/HCMOS Logic Family Specifications"*.

Output capability: standard

I_{CC} category: flip-flops

Note to HCT types

The value of additional quiescent supply current (ΔI_{CC}) for a unit load of 1 is given in the family specifications. To determine ΔI_{CC} per input, multiply this value by the unit load coefficient shown in the table below.

INPUT	UNIT LOAD COEFFICIENT
nK	0.60
n \bar{R}	0.65
n \overline{CP} , nJ	1.00

AC CHARACTERISTICS FOR 74HCT

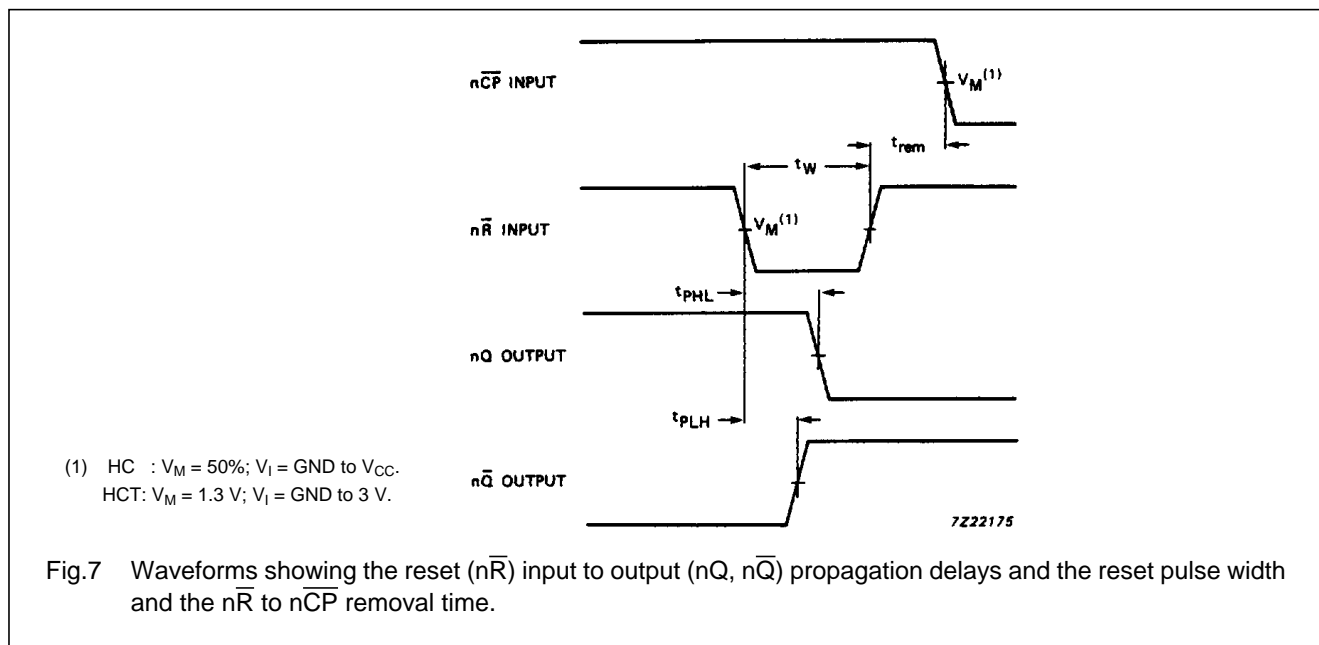
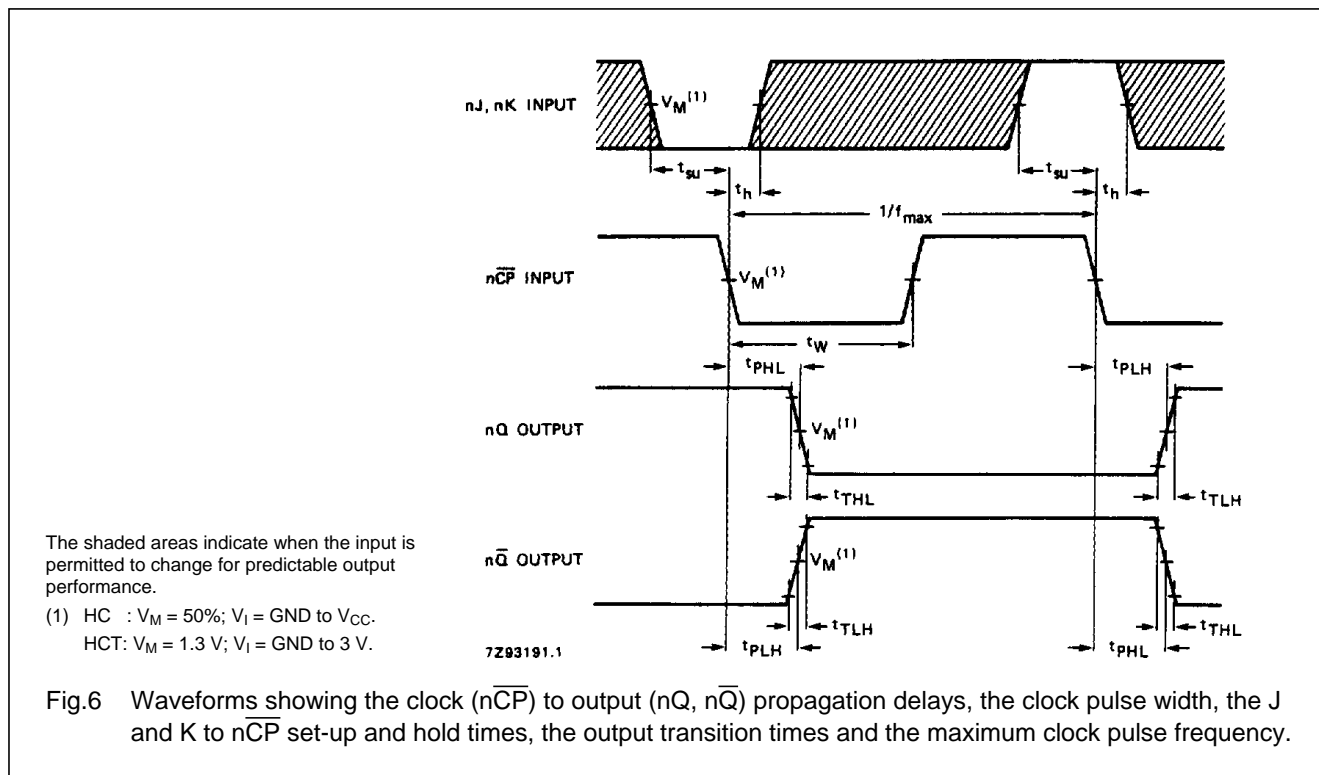
GND = 0 V; $t_r = t_f = 6$ ns; $C_L = 50$ pF

SYMBOL	PARAMETER	T_{amb} (°C)						UNIT	TEST CONDITIONS		
		74 HCT							V_{CC} (V)	WAVEFORMS	
		+25			-40 to +85		-40 to +125				
		min.	typ.	max.	min.	max.	min.				max.
t_{PHL} / t_{PLH}	propagation delay n \overline{CP} to nQ		18	38		48		57	ns	4.5	Fig.6
t_{PHL} / t_{PLH}	propagation delay n \overline{CP} to n \overline{Q}		21	36		45		54	ns	4.5	Fig.6
t_{PHL} / t_{PLH}	propagation delay n \bar{R} to nQ, n \overline{Q}		20	34		43		51	ns	4.5	Fig.7
t_{THL} / t_{TLH}	output transition time		7	15		19		22	ns	4.5	Fig.6
t_W	clock pulse width HIGH or LOW	16	8		20		24		ns	4.5	Fig.6
t_W	reset pulse width HIGH or LOW	18	9		23		27		ns	4.5	Fig.7
t_{rem}	removal time n \bar{R} to n \overline{CP}	14	8		18		21		ns	4.5	Fig.7
t_{su}	set-up time nJ, nK to n \overline{CP}	12	6		15		18		ns	4.5	Fig.6
t_h	hold time nJ, nK to n \overline{CP}	3	-2		3		3		ns	4.5	Fig.6
f_{max}	maximum clock pulse frequency	30	72		24		20		MHz	4.5	Fig.6

Dual JK flip-flop with reset; negative-edge trigger

74HC/HCT73

AC WAVEFORMS



PACKAGE OUTLINES

See "74HC/HCT/HCU/HCMOS Logic Package Outlines".