



FEATURES:

- RoHS compliant
- Wide 2:1 input range
- High efficiency up to 86%
- Shielded metal package
- Operating temperature -40°C to +71°C
- Input / Output isolation 1500VDC
- Pin compatible with multiple manufacturers
- Continuous short circuit protection

Models

Single output

Model	Input Voltage (V)	Output Voltage (V)	Output Current max (mA)	Isolation (VDC)	Efficiency (%)
AM6T-1203S-NZ	9-18	3.3	1400	1500	74
AM6T-1205S-NZ	9-18	5	1200	1500	76
AM6T-1212S-NZ	9-18	12	500	1500	78
AM6T-1215S-NZ	9-18	15	400	1500	80
AM6T-1224S-NZ	9-18	24	250	1500	81
AM6T-2403S-NZ	18-36	3.3	1400	1500	75
AM6T-2405S-NZ	18-36	5	1200	1500	76
AM6T-2412S-NZ	18-36	12	500	1500	79
AM6T-2415S-NZ	18-36	15	400	1500	83
AM6T-2424S-NZ	18-36	24	250	1500	85
AM6T-4803S-NZ	36-72	3.3	1400	1500	76
AM6T-4805S-NZ	36-72	5	1200	1500	79
AM6T-4812S-NZ	36-72	12	500	1500	82
AM6T-4815S-NZ	36-72	15	400	1500	85
AM6T-4824S-NZ	36-72	24	250	1500	86

Models

Dual output

Model	Input Voltage (V)	Output Voltage (V)	Output Current max (mA)	Isolation (VDC)	Efficiency (%)
AM6T-1205D-NZ	9-18	±5	±600	1500	75
AM6T-1212D-NZ	9-18	±12	±250	1500	77
AM6T-1215D-NZ	9-18	±15	±200	1500	79
AM6T-1224D-NZ	9-18	±24	±125	1500	81
AM6T-2405D-NZ	18-36	±5	±600	1500	77
AM6T-2412D-NZ	18-36	±12	±250	1500	79
AM6T-2415D-NZ	18-36	±15	±200	1500	83
AM6T-2424D-NZ	18-36	±24	±125	1500	85
AM6T-4805D-NZ	36-72	±5	±600	1500	80
AM6T-4812D-NZ	36-72	±12	±250	1500	83
AM6T-4815D-NZ	36-72	±15	±200	1500	85
AM6T-4824D-NZ	36-72	±24	±125	1500	86

Input Specifications

Parameters	Conditions	Typical	Maximum	Units
Voltage range		12, 9-18 24, 18-36 48, 36-72		VDC
Filter		π (Pi) Network		

Isolation Specifications

Parameters	Conditions	Typical	Maximum	Units
Rated voltage		1500		VDC
Resistance		> 1000		MOhm

Output Specifications

Parameters	Conditions	Typical	Maximum	Units
Voltage accuracy (single output)		±1		%
Voltage accuracy (dual output)		±1p. and ±3 n.		%
Short Circuit protection	Continuous			
Short circuit restart	Automatic			
Line voltage regulation (Single)			±0.5	%
Line voltage regulation (Dual)			±0.5	%
Load voltage regulation (Single)			±1	%
Load voltage regulation (Dual)			±1	%
Temperature coefficient		±0.02		%/°C
Ripple		30		mV p-p
Noise		100		mV p-p

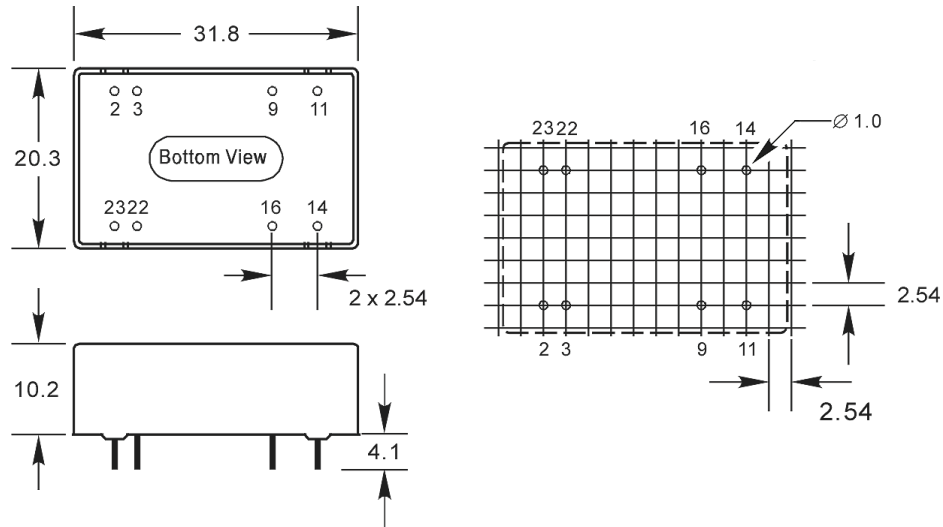
General Specifications

Parameters	Conditions	Typical	Maximum	Units
Switching frequency	100% load	300		KHz
Operating temperature	Without derating	-40 to +71		°C
Storage temperature		-55 to +125		°C
Case temperature			100	°C
Cooling	Free air convection			
Humidity	Non condensing		95	%
Case material		Metal		
Weight		19		g
Dimensions		1.25 x 0.8 x 0.4 inches	31.75 x 20.32 x 10.16 mm	
MTBF		>1 000 000 hrs (MIL-HDBK -217F, Ground Benign, t+=25°C)		

Pin Out Specifications

Pin	1500VDC	
	Single	Dual
2	-V Input	-V Input
3	-V Input	-V Input
9	No pin	Common
11	N.C.	-V Output
14	+V Output	+V Output
16	-V Output	Common
22	+V Input	+V Input
23	+V Input	+V Input

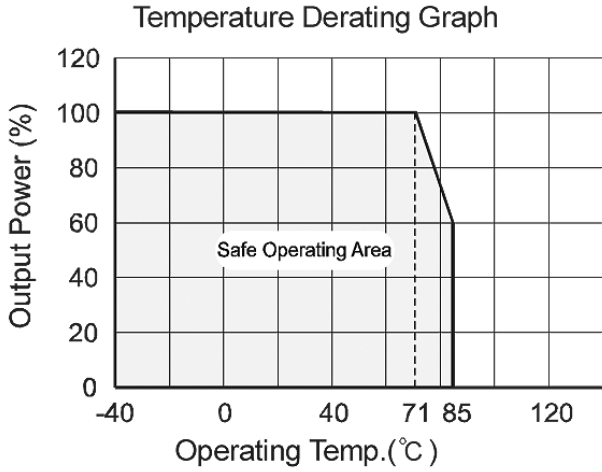
Dimensions



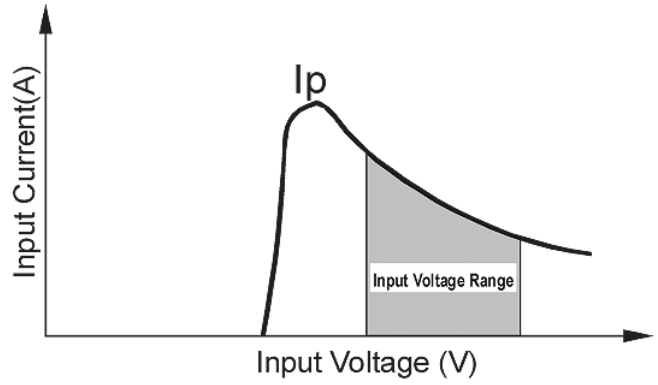
External capacitor Single and Dual

Vin (V)	Cin (uF)	Vout (V)	Cout
12	100	5	100 uF each 1A current
24	100	12	
48	100	15	
		24	

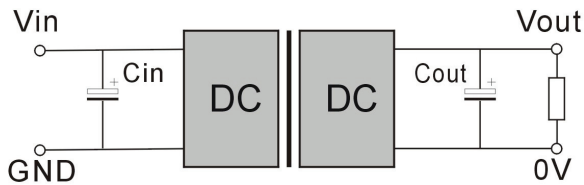
Typical Characteristics



Recommended current



Recommended Circuit - Single Output



Recommended Circuit - Dual Output

