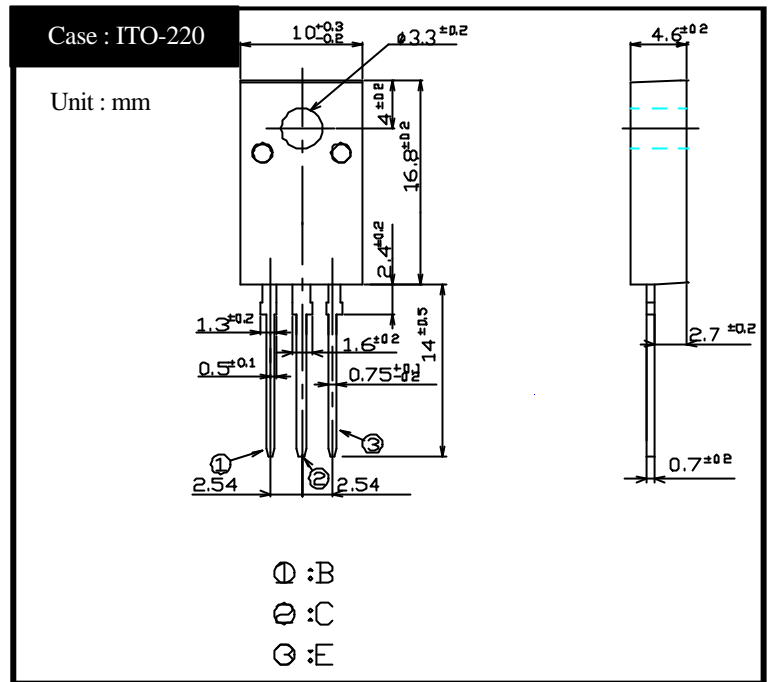


**2SA1601**  
**(TP15T4)**

**-15A PNP**

### OUTLINE DIMENSIONS



### RATINGS

#### Absolute Maximum Ratings

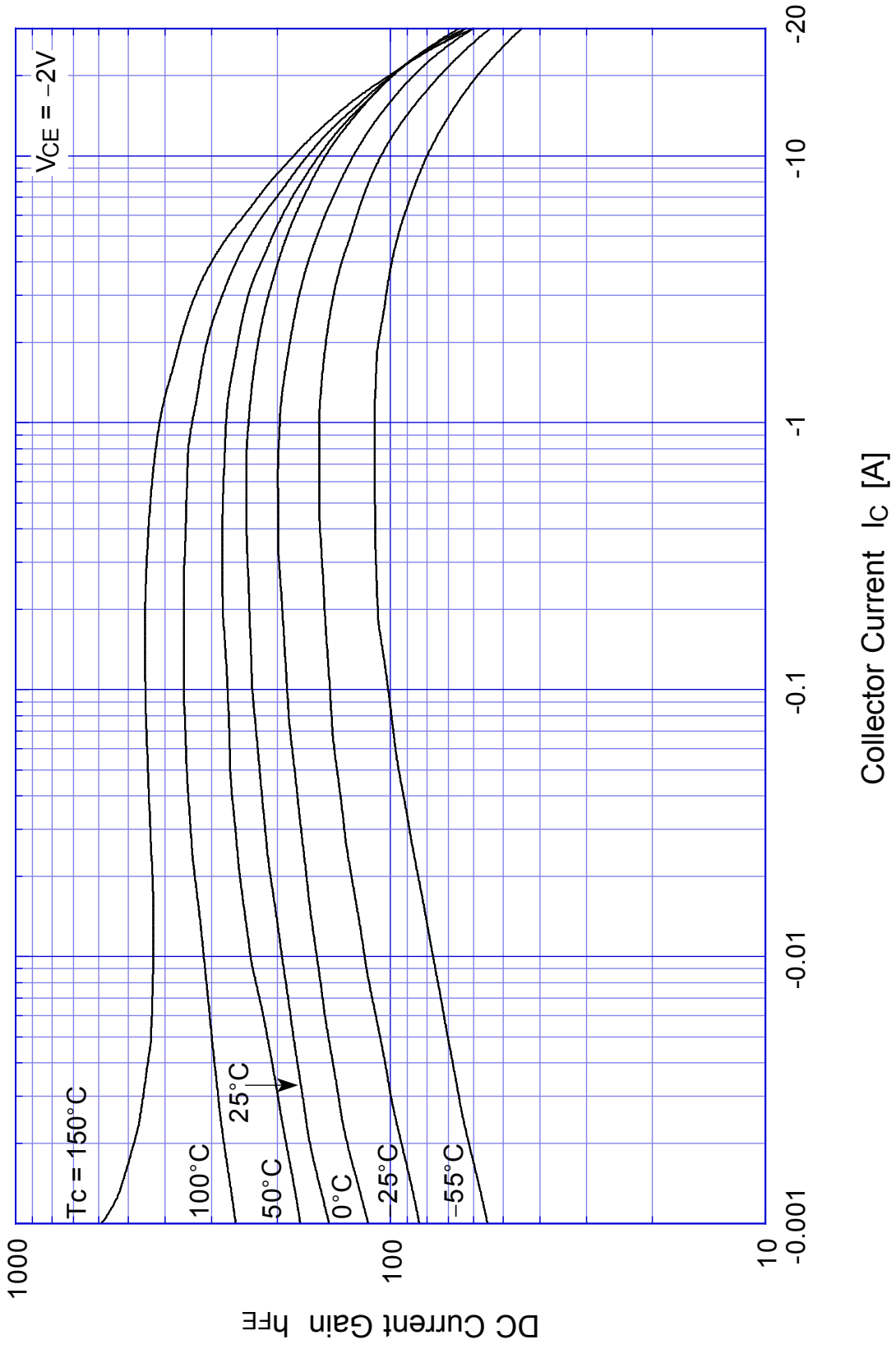
Item	Symbol	Conditions	Ratings	Unit
Storage Temperature	T <sub>stg</sub>		-55 ~ 150	
Junction Temperature	T <sub>j</sub>		150	
Collector to Base Voltage	V <sub>CB0</sub>		-60	V
Collector to Emitter Voltage	V <sub>CE0</sub>		-40	V
Emitter to Base Voltage	V <sub>EBO</sub>		-7	V
Collector Current DC	I <sub>C</sub>		-15	A
Collector Current Peak	I <sub>CP</sub>		-30	A
Base Current DC	I <sub>B</sub>		-2	A
Base Current Peak	I <sub>BP</sub>		-3	A
Total Transistor Dissipation	P <sub>T</sub>	T <sub>C</sub> = 25	45	W
Dielectric Strength	V <sub>dis</sub>	Terminal to case, AC 1 minute	2	kV
Mounting Torque	TOR	(Recommended torque : 0.3N·m)	0.5	N·m

#### Electrical Characteristics (T<sub>c</sub>=25 )

Item	Symbol	Conditions	Ratings	Unit
Collector to Emitter Sustaining Voltage	V <sub>CE0(sus)</sub>	I <sub>C</sub> = -0.1A	Min -40	V
Collector Cutoff Current	I <sub>CBO</sub>	At rated Voltage	Max -0.1	mA
			Max -0.1	
Emitter Cutoff Current	I <sub>EBO</sub>	At rated Voltage	Max -0.1	mA
DC Current Gain	h <sub>FE</sub>	V <sub>CE</sub> = -2V, I <sub>C</sub> = -7.5A	Min 70	
Collector to Emitter Saturation Voltage	V <sub>CE(sat)</sub>	I <sub>C</sub> = -7.5A	Max -0.3	V
Base to Emitter Saturation Voltage	V <sub>BE(sat)</sub>	I <sub>B</sub> = -0.4A	Max -1.2	V
Thermal Resistance	θ <sub>JC</sub>	Junction to case	Max 2.77	/W
Transition Frequency	f <sub>T</sub>	V <sub>CE</sub> = -10V, I <sub>C</sub> = -1.5A	TYP 50	MHz
Turn on Time	t <sub>on</sub>	I <sub>C</sub> = -7.5A I <sub>B1</sub> = -0.75A, I <sub>B2</sub> = -0.75A R <sub>L</sub> = 4 Ω, V <sub>BB2</sub> = -4V	Max 0.3	μs
Storage Time	t <sub>s</sub>		Max 1.5	
Fall Time	t <sub>f</sub>		Max 0.5	

# 2SA1601

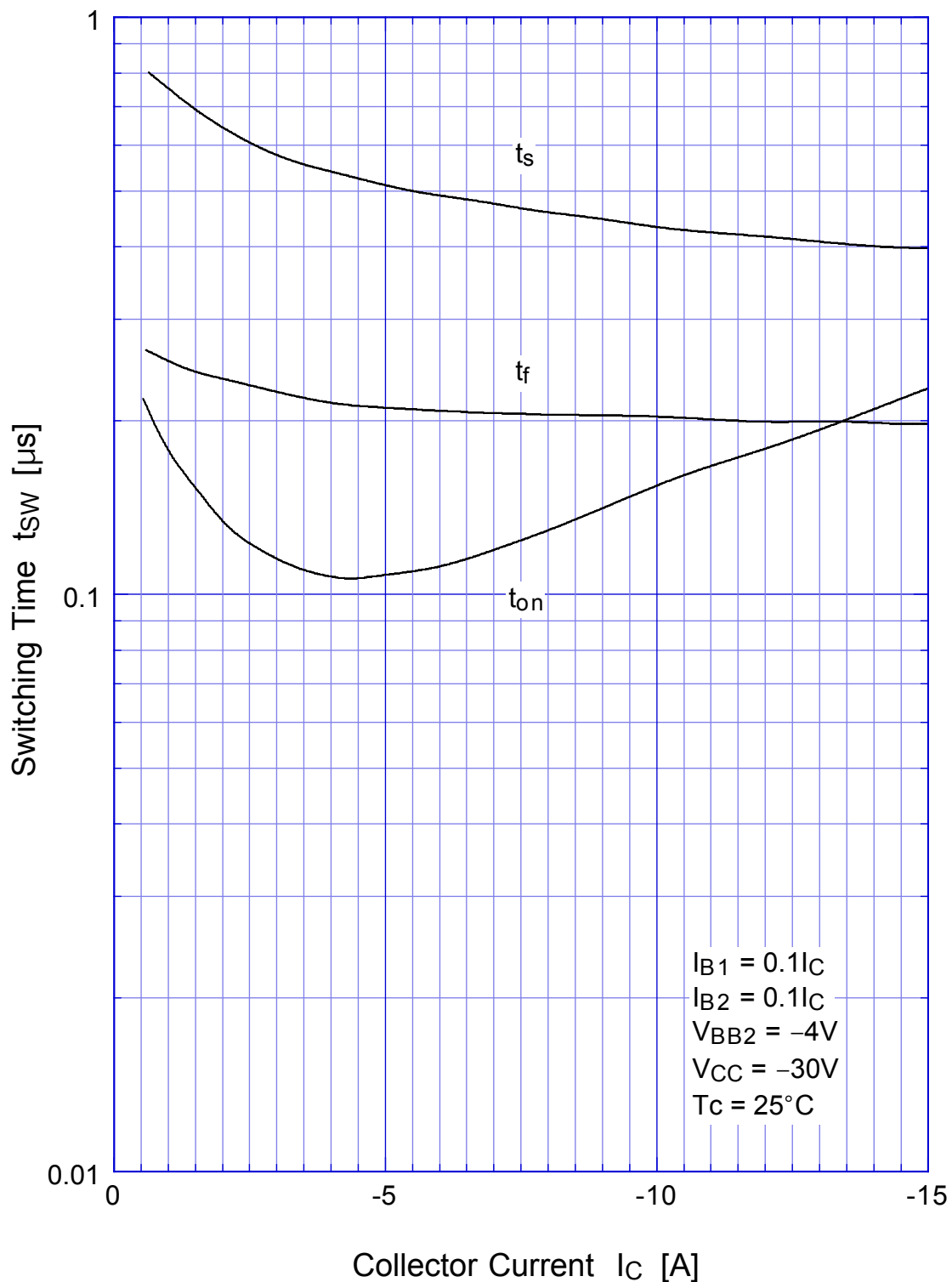
$h_{FE} - I_C$





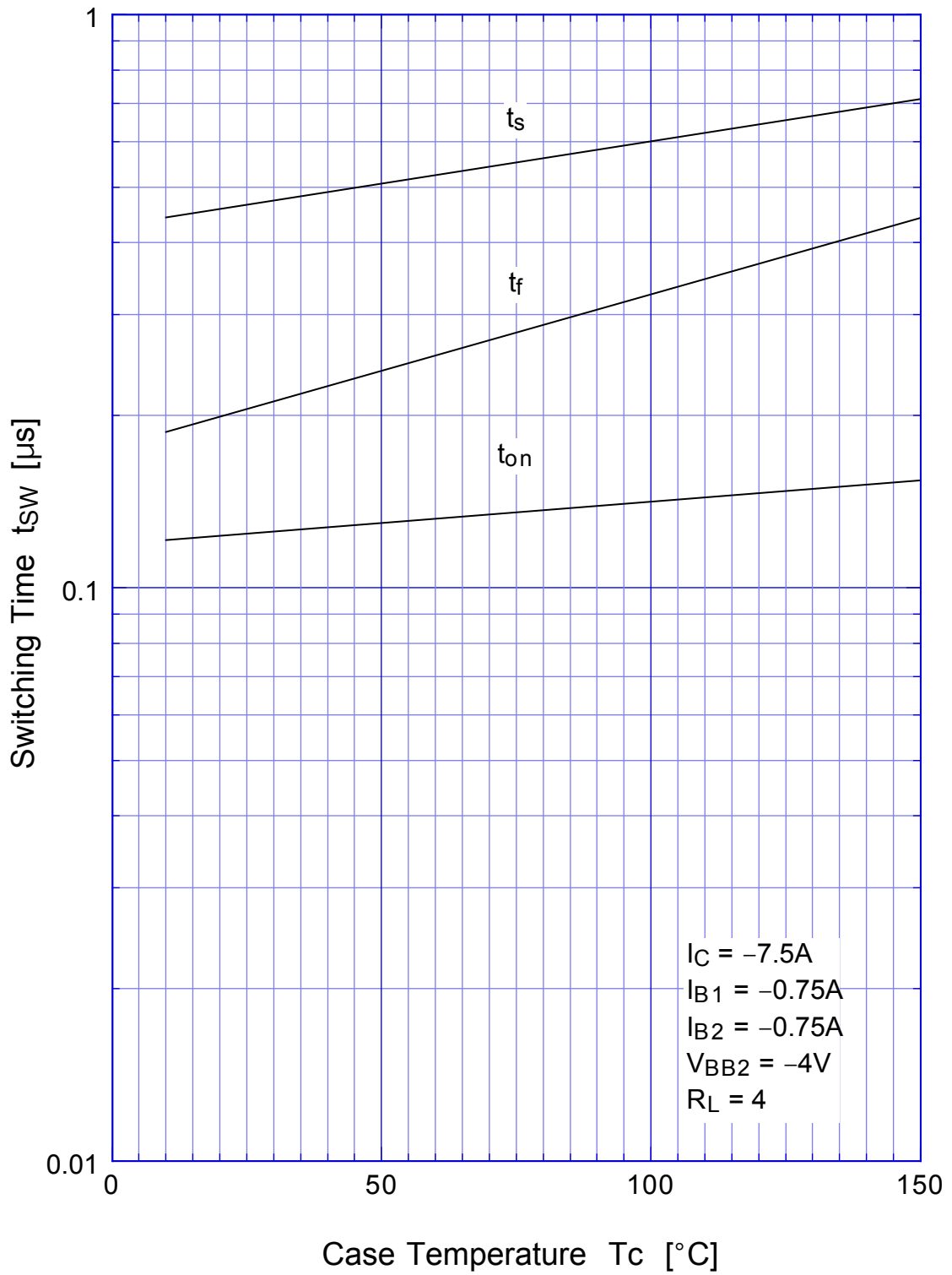
# 2SA1601

## Switching Time - $I_C$

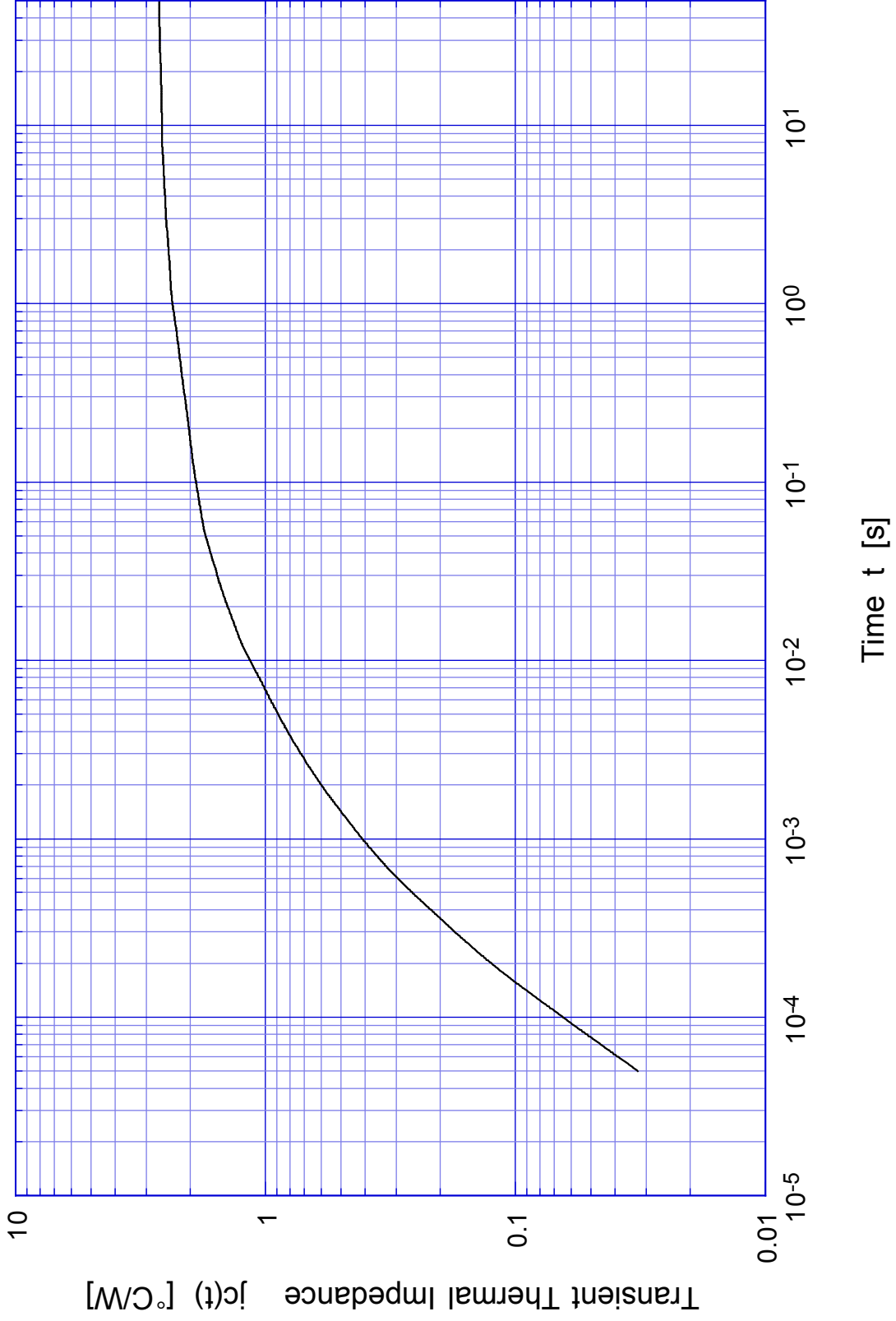


# 2SA1601

## Switching Time - Tc

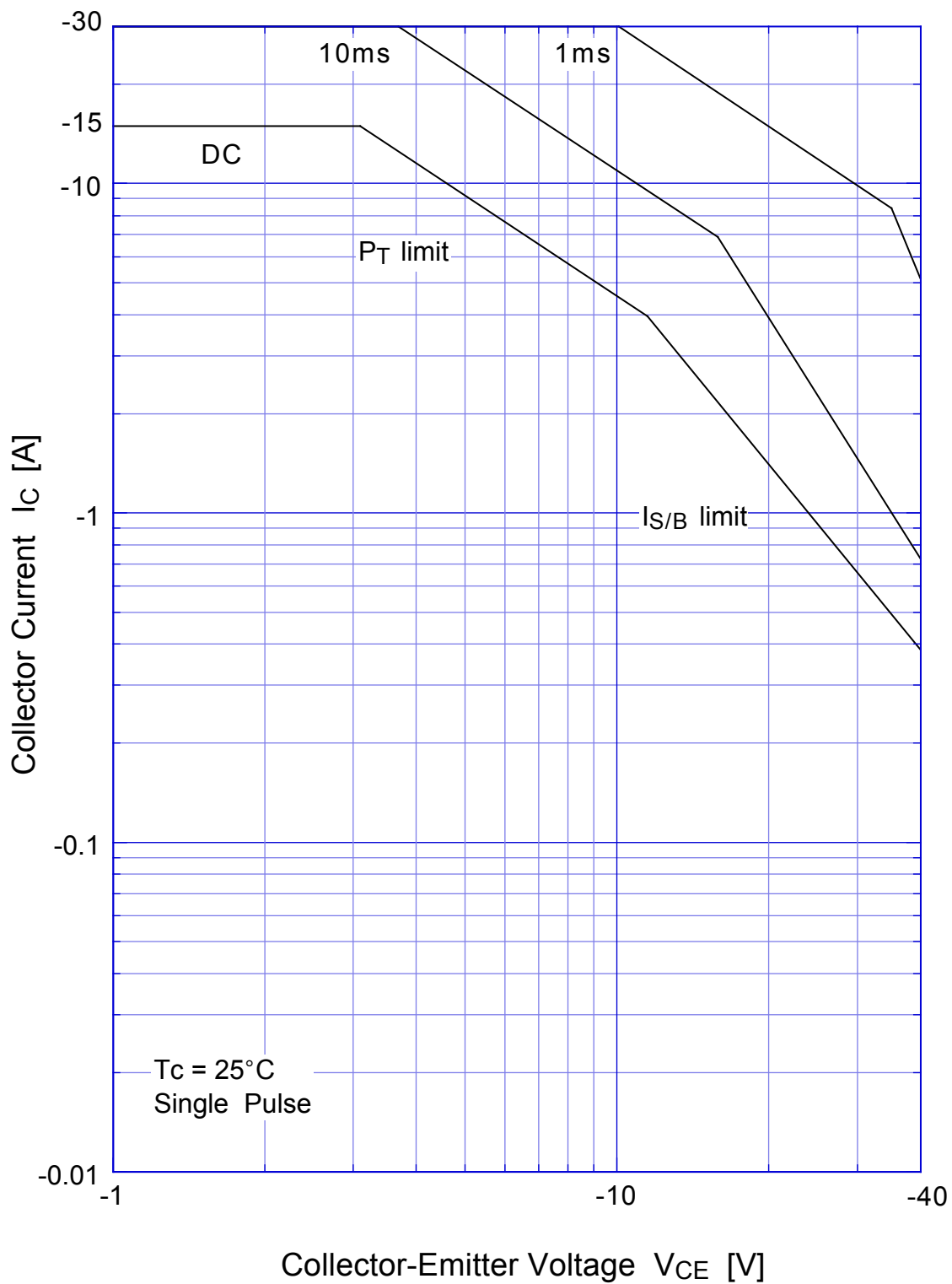


# 2SA1601 Transient Thermal Impedance



# 2SA1601

# Forward Bias SOA



## 2SA1601 Collector Current Derating

