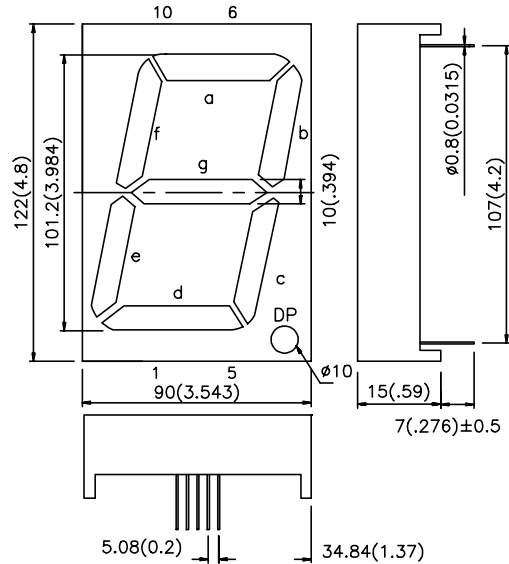
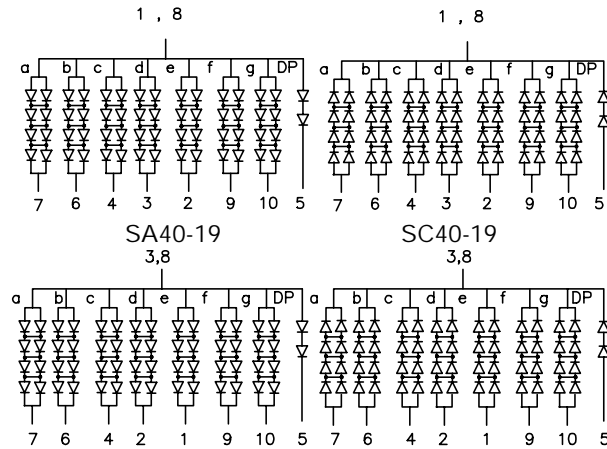


# SA/SC40 Series



SA40-18

SC40-18



## NOTES:

1. All dimensions are in millimeters (inches)
2. Tolerance is  $\pm 0.25$ mm(0.01") unless otherwise noted.