

CC1020 Single Chip Low Power RF Transceiver for Narrowband Systems

Applications

- *Narrowband low power UHF wireless data transmitters and receivers with channel spacings as low as 12.5 and 25 kHz*
- *402 / 424 / 426 / 429 / 433 / 447 / 449 / 469 / 868 and 915 MHz ISM/SRD band systems*
- *AMR – Automatic Meter Reading*
- *Wireless alarm and security systems*
- *Home automation*
- *Low power telemetry*

Product Description

CC1020 is a true single-chip UHF transceiver designed for very low power and very low voltage wireless applications. The circuit is mainly intended for the ISM (Industrial, Scientific and Medical) and SRD (Short Range Device) frequency bands at 402, 424, 426, 429, 433, 447, 449, 469, 868 and 915 MHz, but can easily be programmed for multi-channel operation at other frequencies in the 402 - 470 and 804 - 940 MHz range.

The **CC1020** is especially suited for narrow-band systems with channel spacings of 12.5 or 25 kHz complying with ARIB STD T-67 and EN 300 220.

The **CC1020** main operating parameters can be programmed via a serial bus, thus

making **CC1020** a very flexible and easy to use transceiver.

In a typical system **CC1020** will be used together with a microcontroller and a few external passive components.

CC1020 is based on Chipcon's SmartRF[®]-02 technology in 0.35 μ m CMOS.



Features

- True single chip UHF RF transceiver
- Frequency range 402 MHz - 470 MHz and 804 MHz - 940 MHz
- High sensitivity (up to -118 dBm for a 12.5 kHz channel)
- Programmable output power
- Low current consumption (RX: 19.9 mA)
- Low supply voltage (2.3 V to 3.6 V)
- No external IF filter needed
- Low-IF receiver
- Very few external components required
- Small size (QFN 32 package)
- Pb-free package
- Digital RSSI and carrier sense indicator
- Data rate up to 153.6 kBaud
- OOK, FSK and GFSK data modulation
- Integrated bit synchronizer
- Image rejection mixer
- Programmable frequency and AFC make crystal temperature drift compensation possible without TCXO
- Suitable for frequency hopping systems
- Suited for systems targeting compliance with EN 300 220, FCC CFR47 part 15 and ARIB STD T-67
- Development kit available
- Easy-to-use software for generating the **CC1020** configuration data

Table of Contents

| | | |
|------------|--|-----------|
| 1. | Abbreviations | 4 |
| 2. | Absolute Maximum Ratings | 5 |
| 3. | Operating Conditions | 5 |
| 4. | Electrical Specifications | 5 |
| 4.1. | RF Transmit Section | 6 |
| 4.2. | RF Receive Section | 8 |
| 4.3. | RSSI / Carrier Sense Section | 11 |
| 4.4. | IF Section | 11 |
| 4.5. | Crystal Oscillator Section..... | 12 |
| 4.6. | Frequency Synthesizer Section | 13 |
| 4.7. | Digital Inputs / Outputs..... | 14 |
| 4.8. | Current Consumption..... | 15 |
| 5. | Pin Assignment | 15 |
| 6. | Circuit Description | 17 |
| 7. | Application Circuit | 18 |
| 8. | Configuration Overview | 21 |
| 8.1. | Configuration Software | 21 |
| 9. | Microcontroller Interface | 22 |
| 9.1. | 4-wire Serial Configuration Interface | 23 |
| 9.2. | Signal Interface | 25 |
| 10. | Data Rate Programming | 27 |
| 11. | Frequency Programming | 28 |
| 11.1. | Dithering | 29 |
| 12. | Receiver | 30 |
| 12.1. | IF Frequency | 30 |
| 12.2. | Receiver Channel Filter Bandwidth..... | 30 |
| 12.3. | Demodulator, Bit Synchronizer and Data Decision..... | 31 |
| 12.4. | Receiver Sensitivity versus Data Rate and Frequency Separation | 32 |
| 12.5. | RSSI | 33 |
| 12.6. | Image Rejection Calibration | 35 |
| 12.7. | Blocking and Selectivity | 36 |
| 12.8. | Linear IF Chain and AGC Settings..... | 37 |
| 12.9. | AGC Settling..... | 38 |
| 12.10. | Preamble Length and Sync Word | 39 |
| 12.11. | Carrier Sense | 39 |
| 12.12. | Automatic Power-up Sequencing..... | 40 |
| 12.13. | Automatic Frequency Control..... | 41 |

| | | |
|------------|--|-----------|
| 12.14. | Digital FM | 42 |
| 13. | Transmitter | 43 |
| 13.1. | FSK Modulation Formats | 43 |
| 13.2. | Output Power Programming..... | 45 |
| 13.3. | TX Data Latency..... | 46 |
| 13.4. | Reducing Spurious Emission and Modulation Bandwidth..... | 46 |
| 14. | Input / Output Matching and Filtering..... | 46 |
| 15. | Frequency Synthesizer | 50 |
| 15.1. | VCO, Charge Pump and PLL Loop Filter..... | 50 |
| 15.2. | VCO and PLL Self-Calibration | 51 |
| 15.3. | PLL Turn-on Time versus Loop Filter Bandwidth..... | 52 |
| 15.4. | PLL Lock Time versus Loop Filter Bandwidth..... | 53 |
| 16. | VCO and LNA Current Control | 53 |
| 17. | Power Management | 54 |
| 18. | On-Off Keying (OOK)..... | 57 |
| 19. | Crystal Oscillator | 58 |
| 20. | Built-in Test Pattern Generator | 59 |
| 21. | Interrupt on Pin DCLK..... | 60 |
| 21.1. | Interrupt upon PLL Lock..... | 60 |
| 21.2. | Interrupt upon Received Signal Carrier Sense | 60 |
| 22. | PA_EN and LNA_EN Digital Output Pins | 61 |
| 22.1. | Interfacing an External LNA or PA | 61 |
| 22.2. | General Purpose Output Control Pins..... | 61 |
| 22.3. | PA_EN and LNA_EN Pin Drive..... | 61 |
| 23. | System Considerations and Guidelines | 62 |
| 24. | PCB Layout Recommendations | 64 |
| 25. | Antenna Considerations | 65 |
| 26. | Configuration Registers..... | 65 |
| 26.1. | CC1020 Register Overview..... | 66 |
| 27. | Package Description (QFN 32) | 86 |
| 27.1. | Package Marking..... | 87 |
| 27.2. | Recommended PCB Footprint for Package (QFN 32)..... | 88 |
| 27.3. | Package Thermal Properties..... | 88 |
| 27.4. | Soldering Information | 88 |
| 27.5. | Plastic Tube Specification | 89 |
| 27.6. | Carrier Tape and Reel Specification | 89 |
| 28. | Ordering Information..... | 89 |
| 29. | General Information..... | 90 |

30. Address Information..... 92

1. Abbreviations

| | |
|------|------------------------------------|
| ACP | Adjacent Channel Power |
| ACR | Adjacent Channel Rejection |
| ADC | Analog-to-Digital Converter |
| AFC | Automatic Frequency Control |
| AGC | Automatic Gain Control |
| AMR | Automatic Meter Reading |
| ASK | Amplitude Shift Keying |
| BER | Bit Error Rate |
| BOM | Bill Of Materials |
| bps | bits per second |
| BT | Bandwidth-Time product (for GFSK) |
| ChBW | Receiver Channel Filter Bandwidth |
| CW | Continuous Wave |
| DAC | Digital-to-Analog Converter |
| DNM | Do Not Mount |
| ESR | Equivalent Series Resistance |
| FHSS | Frequency Hopping Spread Spectrum |
| FM | Frequency Modulation |
| FS | Frequency Synthesizer |
| FSK | Frequency Shift Keying |
| GFSK | Gaussian Frequency Shift Keying |
| IC | Integrated Circuit |
| IF | Intermediate Frequency |
| IP3 | Third Order Intercept Point |
| ISM | Industrial Scientific Medical |
| kbps | kilo bits per second |
| LNA | Low Noise Amplifier |
| LO | Local Oscillator (in receive mode) |
| MCU | Micro Controller Unit |
| NRZ | Non Return to Zero |
| OOK | On-Off Keying |
| PA | Power Amplifier |
| PD | Phase Detector / Power Down |
| PER | Packet Error Rate |
| PCB | Printed Circuit Board |
| PN9 | Pseudo-random Bit Sequence (9-bit) |
| PLL | Phase Locked Loop |
| PSEL | Program Select |
| RF | Radio Frequency |
| RSSI | Received Signal Strength Indicator |
| RX | Receive (mode) |
| SBW | Signal Bandwidth |
| SPI | Serial Peripheral Interface |
| SRD | Short Range Device |
| TBD | To Be Decided/Defined |
| T/R | Transmit/Receive (switch) |
| TX | Transmit (mode) |
| UHF | Ultra High Frequency |
| VCO | Voltage Controlled Oscillator |
| VGA | Variable Gain Amplifier |
| XOSC | Crystal oscillator |
| XTAL | Crystal |

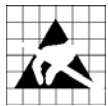
2. Absolute Maximum Ratings

The absolute maximum ratings given Table 1 should under no circumstances be violated. Stress exceeding one or more of the limiting values may cause permanent damage to the device.

| Parameter | Min | Max | Unit | Condition |
|---------------------------|------|------------------|----------|--|
| Supply voltage, VDD | -0.3 | 5.0 | V | All supply pins must have the same voltage |
| Voltage on any pin | -0.3 | VDD+0.3, max 5.0 | V | |
| Input RF level | | 10 | dBm | |
| Storage temperature range | -50 | 150 | °C | |
| Package body temperature | | 260 | °C | Norm: IPC/JEDEC J-STD-020C ¹ |
| Humidity non-condensing | 5 | 85 | % | |
| ESD (Human Body Model) | | ±1 ±0.4 | kV kV | All pads except RF RF Pads |

Table 1. Absolute maximum ratings

¹ The reflow peak soldering temperature (body temperature) is specified according to IPC/JEDEC J-STD_020C “Moisture/Reflow Sensitivity Classification for Nonhermetic Solid State Surface Mount Devices”.



Caution! ESD sensitive device.
Precaution should be used when handling the device in order to prevent permanent damage.

3. Operating Conditions

The operating conditions for **CC1020** are listed in Table 2.

| Parameter | Min | Typ | Max | Unit | Condition / Note |
|-------------------------------------|------------|-----|------------|------------|---|
| RF Frequency Range | 402 804 | | 470 940 | MHz MHz | Programmable in <300 Hz steps Programmable in <600 Hz steps |
| Operating ambient temperature range | -40 | | 85 | °C | |
| Supply voltage | 2.3 | 3.0 | 3.6 | V | The same supply voltage should be used for digital (DVDD) and analog (AVDD) power. A 3.0 ±0.1 V supply is recommended to meet the ARIB STD T-67 selectivity and output power tolerance requirements. |

Table 2. Operating conditions

4. Electrical Specifications

Table 3 to Table 10 gives the **CC1020** electrical specifications. All measurements were performed using the 2 layer PCB CC1020EMX reference design. This is the same test circuit as shown in Figure 3. Temperature = 25°C, supply voltage = AVDD = DVDD = 3.0 V if nothing else stated. Crystal frequency = 14.7456 MHz.

The electrical specifications given for 868 MHz are also applicable for the 902 – 928 MHz frequency range.

4.1. RF Transmit Section

| Parameter | Min | Typ | Max | Unit | Condition / Note |
|--|--------|--------------------------|------------|--------------------------|---|
| Transmit data rate | 0.45 | | 153.6 | kBaud | The data rate is programmable. See section 10 on page 27 for details. NRZ or Manchester encoding can be used. 153.6 kBaud equals 153.6 kbps using NRZ coding and 76.8 kbps using Manchester coding. See section 9.2 on page 25 for details Minimum data rate for OOK is 2.4 kBaud |
| Binary FSK frequency separation | 0 0 | | 108 216 | kHz kHz | in 402 – 470 MHz range in 804 – 940 MHz range 108/216 kHz is the maximum guaranteed separation at 1.84 MHz reference frequency. Larger separations can be achieved at higher reference frequencies. |
| Output power 433 MHz 868 MHz | | -20 to +10 -20 to +5 | | dBm dBm | Delivered to 50 Ω single-ended load. The output power is programmable and should not be programmed to exceed +10/+5 dBm at 433/868 MHz under any operating conditions (refer to CC1020 Errata Note 003). See section 14 on page 46 for details. |
| Output power tolerance | | -4 +3 | | dB dB | At maximum output power At 2.3 V, +85°C At 3.6 V, -40°C |
| Harmonics, radiated CW 2 nd harmonic, 433 MHz, +10 dBm 3 rd harmonic, 433 MHz, +10 dBm 2 nd harmonic, 868 MHz, +5 dBm 3 rd harmonic, 868 MHz, +5 dBm | | -50 -50 -50 -50 | | dBc dBc dBc dBc | Harmonics are measured as EIRP values according to EN 300 220. The antenna (SMAFF-433 and SMAFF-868 from R.W. Badland) plays a part in attenuating the harmonics. |
| Adjacent channel power (GFSK) 12.5 kHz channel spacing, 433 MHz 25 kHz channel spacing, 433 MHz 25 kHz channel spacing, 868 MHz | | -46 -52 -49 | | dBc dBc dBc | For 12.5 kHz channel spacing ACP is measured in a ± 4.25 kHz bandwidth at ± 12.5 kHz offset. Modulation: 2.4 kBaud NRZ PN9 sequence, ± 2.025 kHz frequency deviation. For 25 kHz channel spacing ACP is measured in a ± 8.5 kHz bandwidth at ± 25 kHz offset. Modulation: 4.8 kBaud NRZ PN9 sequence, ± 2.475 kHz frequency deviation. |

| Parameter | Min | Typ | Max | Unit | Condition / Note |
|---|-----|----------------------------------|-------------------|----------------------------------|--|
| Occupied bandwidth (99.5%, GFSK) 12.5 kHz channel spacing, 433 MHz 25 kHz channel spacing, 433 MHz 25 kHz channel spacing, 868 MHz | | 7.5 9.6 9.6 | | kHz kHz kHz | Bandwidth for 99.5% of total average power. Modulation for 12.5 channel spacing: 2.4 kBaud NRZ PN9 sequence, ± 2.025 kHz frequency deviation. Modulation for 25 kHz channel spacing: 4.8 kBaud NRZ PN9 sequence, ± 2.475 kHz frequency deviation. |
| Modulation bandwidth, 868 MHz 19.2 kBaud, ± 9.9 kHz frequency deviation 38.4 kBaud, ± 19.8 kHz frequency deviation | | 48 106 | | kHz kHz | Bandwidth where the power envelope of modulation equals -36 dBm. Spectrum analyzer RBW = 1 kHz. |
| Spurious emission, radiated CW 47-74, 87.5-118, 174-230, 470-862 MHz 9 kHz – 1 GHz 1 – 4 GHz | | | -54 -36 -30 | dBm dBm dBm | At maximum output power, $+10/+5$ dBm at 433/868 MHz. To comply with EN 300 220, FCC CFR47 part 15 and ARIB STD T-67 an external (antenna) filter, as implemented in the application circuit in Figure 25, must be used and tailored to each individual design to reduce out-of-band spurious emission levels. Spurious emissions can be measured as EIRP values according to EN 300 220. The antenna (SMAFF-433 and SMAFF-868 from R.W. Badland) plays a part in attenuating the spurious emissions. If the output power is increased using an external PA, a filter must be used to attenuate spurs below 862 MHz when operating in the 868 MHz frequency band in Europe. Application Note AN036 CC1020/1021 Spurious Emission presents and discusses a solution that reduces the TX mode spurious emission close to 862 MHz by increasing the REF_DIV from 1 to 7. |
| Optimum load impedance 433 MHz 868 MHz 915 MHz | | 54 + j44 15 + j24 20 + j35 | | Ω Ω Ω | Transmit mode. For matching details see section 14 on page 46. |

Table 3. RF transmit parameters

4.2. RF Receive Section

| Parameter | Min | Typ | Max | Unit | Condition / Note |
|---|-----|-------------------|-----|-------------------|--|
| Receiver Sensitivity, 433 MHz, FSK | | | | | Sensitivity is measured with PN9 sequence at BER = 10 ⁻³ |
| 12.5 kHz channel spacing, optimized selectivity, ±2.025 kHz freq. deviation | | -114 | | dBm | 12.5 kHz channel spacing: 2.4 kBaud, Manchester coded data. |
| 12.5 kHz channel spacing, optimized sensitivity, ±2.025 kHz freq. deviation | | -118 | | dBm | |
| 25 kHz channel spacing | | -112 | | dBm | 25 kHz channel spacing: 4.8 kBaud, NRZ coded data, ±2.475 kHz frequency deviation. |
| 500 kHz channel spacing | | -96 | | dBm | 500 kHz channel spacing: 153.6 kBaud, NRZ coded data, ±72 kHz frequency deviation. |
| Receiver Sensitivity, 868 MHz, FSK | | | | | See Table 19 and Table 20 for typical sensitivity figures at other data rates. |
| 12.5 kHz channel spacing, ±2.475 kHz freq. deviation | | -116 | | dBm | |
| 25 kHz channel spacing | | -111 | | dBm | |
| 500 kHz channel spacing | | -94 | | dBm | |
| Receiver sensitivity, 433 MHz, OOK | | | | | Sensitivity is measured with PN9 sequence at BER = 10 ⁻³ |
| 2.4 kBaud | | -116 | | dBm | Manchester coded data. |
| 153.6 kBaud | | -81 | | dBm | |
| Receiver sensitivity, 868 MHz, OOK | | | | | See Table 27 for typical sensitivity figures at other data rates. |
| 4.8 kBaud | | -107 | | dBm | |
| 153.6 kBaud | | -87 | | dBm | |
| Saturation (maximum input level) FSK and OOK | | 10 | | dBm | FSK: Manchester/NRZ coded data OOK: Manchester coded data BER = 10 ⁻³ |
| System noise bandwidth | | 9.6 to 307.2 | | kHz | The receiver channel filter 6 dB bandwidth is programmable from 9.6 kHz to 307.2 kHz. See section 12.2 on page 30 for details. |
| Noise figure, cascaded 433 and 868 MHz | | 7 | | dB | NRZ coded data |
| Input IP3 | | | | | Two tone test (+10 MHz and +20 MHz) |
| 433 MHz, 12.5 kHz channel spacing | | -23 -18 -16 | | dBm dBm dBm | LNA2 maximum gain LNA2 medium gain LNA2 minimum gain |
| 868 MHz, 25 kHz channel spacing | | -18 -15 -13 | | dBm dBm dBm | LNA2 maximum gain LNA2 medium gain LNA2 minimum gain |

| Parameter | Min | Typ | Max | Unit | Condition / Note |
|--|-----|----------------------------------|-----|----------------------|--|
| Co-channel rejection, FSK and OOK 12.5 kHz channel spacing, 433 MHz 25 kHz channel spacing, 433 MHz 25 kHz channel spacing, 868 MHz | | -11 -11 -11 | | dB dB dB | Wanted signal 3 dB above the sensitivity level, FM jammer (1 kHz sine, ± 2.5 kHz deviation) at operating frequency, BER = 10^{-3} |
| Adjacent channel rejection (ACR) 12.5 kHz channel spacing, 433 MHz 25 kHz channel spacing, 433 MHz 25 kHz channel spacing, 868 MHz | | 32 37 32 | | dB dB dB | Wanted signal 3 dB above the sensitivity level, FM jammer (1 kHz sine, ± 2.5 kHz deviation) at adjacent channel. BER = 10^{-3} |
| Image channel rejection 433/868 MHz No I/Q gain and phase calibration I/Q gain and phase calibrated | | 26/31 49/52 | | dB dB | Wanted signal 3 dB above the sensitivity level, CW jammer at image frequency. BER = 10^{-3} . Image rejection after calibration will depend on temperature and supply voltage. Refer to section 12.6 on page 35. |
| Selectivity* 12.5 kHz channel spacing, 433 MHz 25 kHz channel spacing, 433 MHz 25 kHz channel spacing, 868 MHz (*Close-in spurious response rejection) | | 41 41 39 | | dB dB dB | Wanted signal 3 dB above the sensitivity level. CW jammer is swept in 12.5 kHz/25 kHz steps to within ± 1 MHz from wanted channel. BER = 10^{-3} . Adjacent channel and image channel are excluded. |
| Blocking / Desensitization* 433/868 MHz ± 1 MHz ± 2 MHz ± 5 MHz ± 10 MHz (*Out-of-band spurious response rejection) | | 50/57 64/71 64/71 75/78 | | dB dB dB dB | Wanted signal 3 dB above the sensitivity level, CW jammer at $\pm 1, 2, 5$ and 10 MHz offset. BER = 10^{-3} . 12.5 kHz/25 kHz channel spacing at 433/868 MHz. Complying with EN 300 220, class 2 receiver requirements. |
| Image frequency suppression, 433/868 MHz No I/Q gain and phase calibration I/Q gain and phase calibrated | | 36/41 59/62 | | dB dB | Ratio between sensitivity for a signal at the image frequency to the sensitivity in the wanted channel. Image frequency is RF - 2 IF. The signal source is a 2.4 kBaud, Manchester coded data, ± 2.025 kHz frequency deviation, signal level for BER = 10^{-3} |
| Spurious reception | | | 40 | dB | Ratio between sensitivity for an unwanted frequency to the sensitivity in the wanted channel. The signal source is a 2.4 kBaud, Manchester coded data, ± 2.025 kHz frequency deviation, swept over all frequencies 100 MHz - 2 GHz. Signal level for BER = 10^{-3} |

| Parameter | Min | Typ | Max | Unit | Condition / Note |
|---|-----|----------------------|------|--------------|--|
| Intermodulation rejection (1) 12.5 kHz channel spacing, 433 MHz 25 kHz channel spacing, 868 MHz | | 30 30 | | dB dB | Wanted signal 3 dB above the sensitivity level, two CW jammers at +2Ch and +4Ch where Ch is channel spacing 12.5 kHz or 25 kHz. BER = 10 ⁻² |
| Intermodulation rejection (2) 12.5 kHz channel spacing, 433 MHz 25 kHz channel spacing, 868 MHz | | 56 55 | | dB dB | Wanted signal 3 dB above the sensitivity level, two CW jammers at +10 MHz and +20 MHz offset. BER = 10 ⁻² |
| LO leakage, 433/868 MHz | | <-80/-66 | | dBm | |
| VCO leakage | | -64 | | dBm | VCO frequency resides between 1608 – 1880 MHz |
| Spurious emission, radiated CW 9 kHz – 1 GHz 1 – 4 GHz | | <-60 <-60 | | dBm dBm | Complying with EN 300 220, FCC CFR47 part 15 and ARIB STD T-67. Spurious emissions can be measured as EIRP values according to EN 300 220. |
| Input impedance 433 MHz 868 MHz | | 58 – j10 54 – j22 | | Ω Ω | Receive mode. See section 14 on page 46 for details. |
| Matched input impedance, S11 433 MHz 868 MHz | | -14 -12 | | dB dB | Using application circuit matching network. See section 14 on page 46 for details. |
| Matched input impedance 433 MHz 868 MHz | | 39 – j14 32 – j10 | | Ω Ω | Using application circuit matching network. See section 14 on page 46 for details. |
| Bit synchronization offset | | | 8000 | ppm | The maximum bit rate offset tolerated by the bit synchronization circuit for 6 dB degradation (synchronous modes only) |
| Data latency NRZ mode Manchester mode | | 4 8 | | Baud Baud | Time from clocking the data on the transmitter DIO pin until data is available on receiver DIO pin |

Table 4. RF receive parameters

4.3. RSSI / Carrier Sense Section

| Parameter | Min | Typ | Max | Unit | Condition / Note |
|--------------------------------------|-----|-----|-----|------|--|
| RSSI dynamic range | | 55 | | dB | 12.5 and 25 kHz channel spacing |
| RSSI accuracy | | ± 3 | | dB | See section 12.5 on page 33 for details. |
| RSSI linearity | | ± 1 | | dB | |
| RSSI attach time | | | | | Shorter RSSI attach times can be traded for lower RSSI accuracy. See section 12.5 on page 33 for details. |
| 2.4 kBaud, 12.5 kHz channel spacing | | 3.8 | | ms | |
| 4.8 kBaud, 25 kHz channel spacing | | 1.9 | | ms | |
| 153.6 kBaud, 500 kHz channel spacing | | 140 | | µs | Shorter RSSI attach times can also be traded for reduced sensitivity and selectivity by increasing the receiver channel filter bandwidth. |
| Carrier sense programmable range | | 40 | | dB | Accuracy is as for RSSI |
| Adjacent channel carrier sense | | | | | At carrier sense level -110 dBm, FM jammer (1 kHz sine, ±2.5 kHz deviation) at adjacent channel. |
| 12.5 kHz channel spacing | | -72 | | dBm | |
| 25 kHz channel spacing | | -72 | | dBm | Adjacent channel carrier sense is measured by applying a signal on the adjacent channel and observe at which level carrier sense is indicated. |
| Spurious carrier sense | | -70 | | dBm | At carrier sense level -110 dBm, 100 MHz – 2 GHz. Adjacent channel and image channel are excluded. |

Table 5. RSSI / Carrier sense parameters

4.4. IF Section

| Parameter | Min | Typ | Max | Unit | Condition / Note |
|----------------------------------|-----|--------------|-----|------|---|
| Intermediate frequency (IF) | | 307.2 | | kHz | See section 12.1 on page 30 for details. |
| Digital channel filter bandwidth | | 9.6 to 307.2 | | kHz | The channel filter 6 dB bandwidth is programmable from 9.6 kHz to 307.2 kHz. See section 12.2 on page 30 for details. |
| AFC resolution | | 150 | | Hz | At 2.4 kBaud Given as Baud rate/16. See section 12.13 on page 41 for details. |

Table 6. IF section parameters

4.5. Crystal Oscillator Section

| Parameter | Min | Typ | Max | Unit | Condition / Note |
|--|----------------|---|----------------|----------------------------------|--|
| Crystal Oscillator Frequency | 4.9152 | 14.7456 | 19.6608 | MHz | Recommended frequency is 14.7456 MHz. See section 19 on page 58 for details. |
| Reference frequency accuracy requirement | | +/- 5.7 +/- 2.8 +/- 4 | | ppm ppm ppm | 433 MHz (EN 300 220) 868 MHz (EN 300 220) Must be less than $\pm 5.7 / \pm 2.8$ ppm to comply with EN 300 220 25 kHz channel spacing at 433/868 MHz. Must be less than ± 4 ppm to comply with Japanese 12.5 kHz channel spacing regulations (ARIB STD T-67). NOTE: The reference frequency accuracy (initial tolerance) and drift (aging and temperature dependency) will determine the frequency accuracy of the transmitted signal. Crystal oscillator temperature compensation can be done using the fine step PLL frequency programmability and the AFC feature. See section 12.13 on page 41 for details. |
| Crystal operation | | Parallel | | | C4 and C5 are loading capacitors. See section 19 on page 58 for details. |
| Crystal load capacitance | 12 12 12 | 22 16 16 | 30 30 16 | pF pF pF | 4.9-6 MHz, 22 pF recommended 6-8 MHz, 16 pF recommended 8-19.6 MHz, 16 pF recommended |
| Crystal oscillator start-up time | | 1.55 1.0 0.90 0.95 0.60 0.63 | | ms ms ms ms ms ms | 4.9152 MHz, 12 pF load 7.3728 MHz, 12 pF load 9.8304 MHz, 12 pF load 14.7456 MHz, 16 pF load 17.2032 MHz, 12 pF load 19.6608 MHz, 12 pF load |
| External clock signal drive, sine wave | | 300 | | mVpp | The external clock signal must be connected to XOSC_Q1 using a DC block (10 nF). Set XOSC_BYPASS = 0 in the INTERFACE register when using an external clock signal with low amplitude or a crystal. |
| External clock signal drive, full-swing digital external clock | | 0 – VDD | | V | The external clock signal must be connected to XOSC_Q1. No DC block shall be used. Set XOSC_BYPASS = 1 in the INTERFACE register when using a full-swing digital external clock. |

Table 7. Crystal oscillator parameters

4.6. Frequency Synthesizer Section

| Parameter | Min | Typ | Max | Unit | Condition / Note |
|--|-----|-------------------------------------|-----|--|---|
| Phase noise, 402 – 470 MHz 12.5 kHz channel spacing | | -90 -100 -105 -110 -114 | | dBc/Hz dBc/Hz dBc/Hz dBc/Hz dBc/Hz | Unmodulated carrier At 12.5 kHz offset from carrier At 25 kHz offset from carrier At 50 kHz offset from carrier At 100 kHz offset from carrier At 1 MHz offset from carrier Measured using loop filter components given in Table 13. The phase noise will be higher for larger PLL loop filter bandwidth. |
| Phase noise, 804 – 940 MHz 25 kHz channel spacing | | -85 -95 -101 -109 -118 | | dBc/Hz dBc/Hz dBc/Hz dBc/Hz dBc/Hz | Unmodulated carrier At 12.5 kHz offset from carrier At 25 kHz offset from carrier At 50 kHz offset from carrier At 100 kHz offset from carrier At 1 MHz offset from carrier Measured using loop filter components given in Table 13. The phase noise will be higher for larger PLL loop filter bandwidth. |
| PLL loop bandwidth 12.5 kHz channel spacing, 433 MHz 25 kHz channel spacing, 868 MHz | | 2.7 8.3 | | kHz kHz | After PLL and VCO calibration. The PLL loop bandwidth is programmable. |
| PLL lock time (RX / TX turn time) 12.5 kHz channel spacing, 433 MHz 25 kHz channel spacing, 868 MHz 500 kHz channel spacing | | 900 640 14 | | us us us | 307.2 kHz frequency step to RF frequency within $\pm 10\%$ of channel spacing. Depends on loop filter component values and <i>PLL_BW</i> register setting. See Table 26 on page 53 for more details. |
| PLL turn-on time. From power down mode with crystal oscillator running. 12.5 kHz channel spacing, 433 MHz 25 kHz channel spacing, 868 MHz 500 kHz channel spacing | | 3.2 2.5 700 | | ms ms us | Time from writing to registers to RF frequency within $\pm 10\%$ of channel spacing. Depends on loop filter component values and <i>PLL_BW</i> register setting. See Table 25 on page 53 for more details. |

Table 8. Frequency synthesizer parameters

4.7. Digital Inputs / Outputs

| Parameter | Min | Typ | Max | Unit | Condition / Note |
|---|-------------|------------------------------|-------------|----------------------|--|
| Logic « 0 » input voltage | 0 | | 0.3* VDD | V | |
| Logic « 1 » input voltage | 0.7* VDD | | VDD | V | |
| Logic « 0 » output voltage | 0 | | 0.4 | V | Output current -2.0 mA, 3.0 V supply voltage |
| Logic « 1 » output voltage | 2.5 | | VDD | V | Output current 2.0 mA, 3.0 V supply voltage |
| Logic "0" input current | NA | | -1 | μA | Input signal equals GND. PSEL has an internal pull-up resistor and during configuration the current will be -350 μA. |
| Logic "1" input current | NA | | 1 | μA | Input signal equals VDD |
| DIO setup time | 20 | | | ns | TX mode, minimum time DIO must be ready before the positive edge of DCLK. Data should be set up on the negative edge of DCLK. |
| DIO hold time | 10 | | | ns | TX mode, minimum time DIO must be held after the positive edge of DCLK. Data should be set up on the negative edge of DCLK. |
| Serial interface (PCLK, PDI, PDO and PSEL) timing specification | | | | | See Table 14 on page 24 for more details |
| Pin drive, LNA_EN, PA_EN | | 0.90 0.87 0.81 0.69 | | mA mA mA mA | Source current 0 V on LNA_EN, PA_EN pins 0.5 V on LNA_EN, PA_EN pins 1.0 V on LNA_EN, PA_EN pins 1.5 V on LNA_EN, PA_EN pins Sink current 3.0 V on LNA_EN, PA_EN pins 2.5 V on LNA_EN, PA_EN pins 2.0 V on LNA_EN, PA_EN pins 1.5 V on LNA_EN, PA_EN pins See Figure 35 on page 62 for more details. |

Table 9. Digital inputs / outputs parameters

4.8. Current Consumption

| Parameter | Min | Typ | Max | Unit | Condition / Note |
|---|-----|-----------|-----|------|---|
| Power Down mode | | 0.2 | 1.8 | μA | Oscillator core off |
| Current Consumption, receive mode 433 and 868 MHz | | 19.9 | | mA | |
| Current Consumption, transmit mode 433/868 MHz : | | | | | The output power is delivered to a 50 Ω single-ended load. See section 13.2 on page 45 for more details. |
| P = -20 dBm | | 12.3/14.5 | | mA | |
| P = -5 dBm | | 14.4/17.0 | | mA | |
| P = 0 dBm | | 16.2/20.5 | | mA | |
| P = +5 dBm | | 20.5/25.1 | | mA | |
| P = +10 dBm (433 MHz only) | | 27.1 | | mA | |
| Current Consumption, crystal oscillator | | 77 | | μA | 14.7456 MHz, 16 pF load crystal |
| Current Consumption, crystal oscillator and bias | | 500 | | μA | 14.7456 MHz, 16 pF load crystal |
| Current Consumption, crystal oscillator, bias and synthesizer | | 7.5 | | mA | 14.7456 MHz, 16 pF load crystal |

Table 10. Current consumption

5. Pin Assignment

Table 11 provides an overview of the CC1020 pinout.

The CC1020 comes in a QFN32 type package (see page 86 for details).

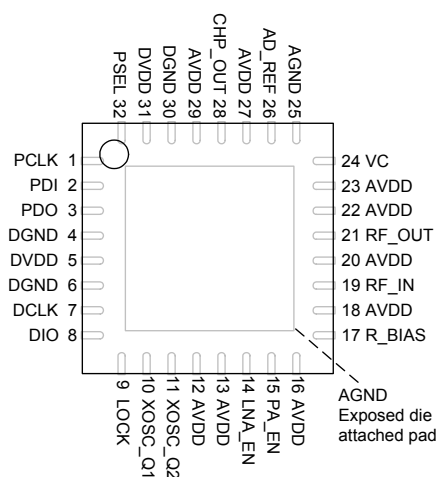


Figure 1. CC1020 package (top view)

| Pin no. | Pin name | Pin type | Description |
|---------|----------|----------------------|--|
| - | AGND | Ground (analog) | Exposed die attached pad. Must be soldered to a solid ground plane as this is the ground connection for all analog modules. See page 64 for more details. |
| 1 | PCLK | Digital input | Programming clock for SPI configuration interface |
| 2 | PDI | Digital input | Programming data input for SPI configuration interface |
| 3 | PDO | Digital output | Programming data output for SPI configuration interface |
| 4 | DGND | Ground (digital) | Ground connection (0 V) for digital modules and digital I/O |
| 5 | DVDD | Power (digital) | Power supply (3 V typical) for digital modules and digital I/O |
| 6 | DGND | Ground (digital) | Ground connection (0 V) for digital modules (substrate) |
| 7 | DCLK | Digital output | Clock for data in both receive and transmit mode. Can be used as receive data output in asynchronous mode |
| 8 | DIO | Digital input/output | Data input in transmit mode; data output in receive mode Can also be used to start power-up sequencing in receive |
| 9 | LOCK | Digital output | PLL Lock indicator, active low. Output is asserted (low) when PLL is in lock. The pin can also be used as a general digital output, or as receive data output in synchronous NRZ/Manchester mode |
| 10 | XOSC_Q1 | Analog input | Crystal oscillator or external clock input |
| 11 | XOSC_Q2 | Analog output | Crystal oscillator |
| 12 | AVDD | Power (analog) | Power supply (3 V typical) for crystal oscillator |
| 13 | AVDD | Power (analog) | Power supply (3 V typical) for the IF VGA |
| 14 | LNA_EN | Digital output | General digital output. Can be used for controlling an external LNA if higher sensitivity is needed. |
| 15 | PA_EN | Digital output | General digital output. Can be used for controlling an external PA if higher output power is needed. |
| 16 | AVDD | Power (analog) | Power supply (3 V typical) for global bias generator and IF anti-alias filter |
| 17 | R_BIAS | Analog output | Connection for external precision bias resistor (82 k Ω , \pm 1%) |
| 18 | AVDD | Power (analog) | Power supply (3 V typical) for LNA input stage |
| 19 | RF_IN | RF Input | RF signal input from antenna (external AC-coupling) |
| 20 | AVDD | Power (analog) | Power supply (3 V typical) for LNA |
| 21 | RF_OUT | RF output | RF signal output to antenna |
| 22 | AVDD | Power (analog) | Power supply (3 V typical) for LO buffers, mixers, prescaler, and first PA stage |
| 23 | AVDD | Power (analog) | Power supply (3 V typical) for VCO |
| 24 | VC | Analog input | VCO control voltage input from external loop filter |
| 25 | AGND | Ground (analog) | Ground connection (0 V) for analog modules (guard) |
| 26 | AD_REF | Power (analog) | 3 V reference input for ADC |
| 27 | AVDD | Power (analog) | Power supply (3 V typical) for charge pump and phase detector |
| 28 | CHP_OUT | Analog output | PLL charge pump output to external loop filter |
| 29 | AVDD | Power (analog) | Power supply (3 V typical) for ADC |
| 30 | DGND | Ground (digital) | Ground connection (0 V) for digital modules (guard) |
| 31 | DVDD | Power (digital) | Power supply connection (3 V typical) for digital modules |
| 32 | PSEL | Digital input | Programming chip select, active low, for configuration interface. Internal pull-up resistor. |

Table 11. Pin assignment overview

Note:

DCLK, DIO and LOCK are high-impedance (3-state) in power down ($BIAIS_PD = 1$ in the *MAIN* register).

The exposed die attached pad **must** be soldered to a solid ground plane as this is the main ground connection for the chip.

6. Circuit Description

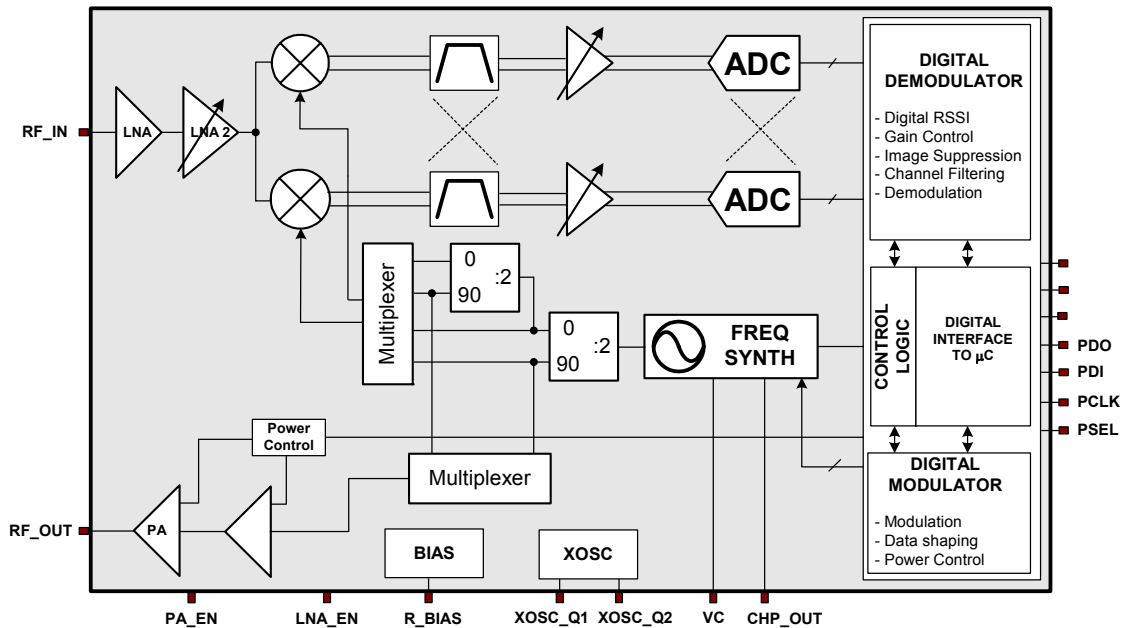


Figure 2. CC1020 simplified block diagram

A simplified block diagram of **CC1020** is shown in Figure 2. Only signal pins are shown.

CC1020 features a low-IF receiver. The received RF signal is amplified by the low-noise amplifier (LNA and LNA2) and down-converted in quadrature (I and Q) to the intermediate frequency (IF). At IF, the I/Q signal is complex filtered and amplified, and then digitized by the ADCs. Automatic gain control, fine channel filtering, demodulation and bit synchronization is performed digitally. **CC1020** outputs the digital demodulated data on the DIO pin. A synchronized data clock is available at the DCLK pin. RSSI is available in digital format and can be read via the serial interface. The RSSI also features a programmable carrier sense indicator.

In transmit mode, the synthesized RF frequency is fed directly to the power

amplifier (PA). The RF output is frequency shift keyed (FSK) by the digital bit stream that is fed to the DIO pin. Optionally, a Gaussian filter can be used to obtain Gaussian FSK (GFSK).

The frequency synthesizer includes a completely on-chip LC VCO and a 90 degrees phase splitter for generating the LO_I and LO_Q signals to the down-conversion mixers in receive mode. The VCO operates in the frequency range 1.608-1.880 GHz. The CHP_OUT pin is the charge pump output and VC is the control node of the on-chip VCO. The external loop filter is placed between these pins. A crystal is to be connected between XOSC_Q1 and XOSC_Q2. A lock signal is available from the PLL.

The 4-wire SPI serial interface is used for configuration.

7. Application Circuit

Very few external components are required for the operation of **CC1020**. The recommended application circuit is shown in Figure 3. The external components are described in Table 12 and values are given in Table 13.

Input / output matching

L1 and C1 is the input match for the receiver. L1 is also a DC choke for biasing. L2 and C3 are used to match the transmitter to 50 Ω . Internal circuitry makes it possible to connect the input and output together and match the **CC1020** to 50 Ω in both RX and TX mode. However, it is recommended to use an external T/R switch for optimum performance. See section 14 on page 46 for details. Component values for the matching network are easily found using the SmartRF[®] Studio software.

Bias resistor

The precision bias resistor R1 is used to set an accurate bias current.

PLL loop filter

The loop filter consists of two resistors (R2 and R3) and three capacitors (C6-C8). C7 and C8 may be omitted in applications where high loop bandwidth is desired. The

values shown in Table 13 can be used for data rates up to 4.8 kBaud. Component values for higher data rates are easily found using the SmartRF[®] Studio software.

Crystal

An external crystal with two loading capacitors (C4 and C5) is used for the crystal oscillator. See section 19 on page 58 for details.

Additional filtering

Additional external components (e.g. RF LC or SAW filter) may be used in order to improve the performance in specific applications. See section 14 on page 46 for further information.

Power supply decoupling and filtering

Power supply decoupling and filtering must be used (not shown in the application circuit). The placement and size of the decoupling capacitors and the power supply filtering are very important to achieve the optimum performance for narrowband applications. Chipcon provides a reference design that should be followed very closely.

| Ref | Description |
|------|---|
| C1 | LNA input match and DC block, see page 46 |
| C3 | PA output match and DC block, see page 46 |
| C4 | Crystal load capacitor, see page 58 |
| C5 | Crystal load capacitor, see page 58 |
| C6 | PLL loop filter capacitor |
| C7 | PLL loop filter capacitor (may be omitted for highest loop bandwidth) |
| C8 | PLL loop filter capacitor (may be omitted for highest loop bandwidth) |
| C60 | Decoupling capacitor |
| L1 | LNA match and DC bias (ground), see page 46 |
| L2 | PA match and DC bias (supply voltage), see page 46 |
| R1 | Precision resistor for current reference generator |
| R2 | PLL loop filter resistor |
| R3 | PLL loop filter resistor |
| R10 | PA output match, see page 46 |
| XTAL | Crystal, see page 58 |

Table 12. Overview of external components (excluding supply decoupling capacitors)

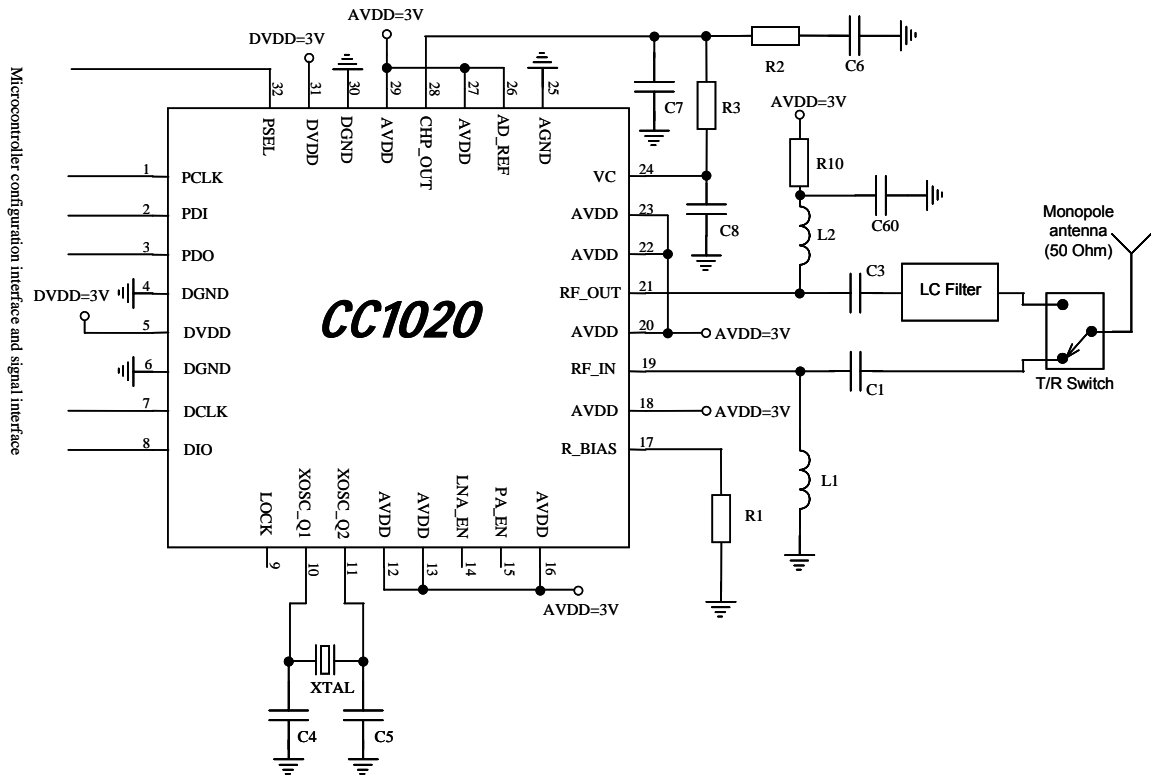


Figure 3. Typical application and test circuit (power supply decoupling not shown)

| Item | 433 MHz | 868 MHz | 915 MHz |
|------|------------------------------------|------------------------------------|------------------------------------|
| C1 | 10 pF, 5%, NP0, 0402 | 47 pF, 5%, NP0, 0402 | 47 pF, 5%, NP0, 0402 |
| C3 | 5.6 pF, 5%, NP0, 0402 | 10 pF, 5%, NP0, 0402 | 10 pF, 5%, NP0, 0402 |
| C4 | 22 pF, 5%, NP0, 0402 | 22 pF, 5%, NP0, 0402 | 22 pF, 5%, NP0, 0402 |
| C5 | 12 pF, 5%, NP0, 0402 | 12 pF, 5%, NP0, 0402 | 12 pF, 5%, NP0, 0402 |
| C6 | 220 nF, 10%, X7R, 0603 | 100 nF, 10%, X7R, 0603 | 100 nF, 10%, X7R, 0603 |
| C7 | 8.2 nF, 10%, X7R, 0402 | 3.9 nF, 10%, X7R, 0402 | 3.9 nF, 10%, X7R, 0402 |
| C8 | 2.2 nF, 10%, X7R, 0402 | 1.0 nF, 10%, X7R, 0402 | 1.0 nF, 10%, X7R, 0402 |
| C60 | 220 pF, 5%, NP0, 0402 | 220 pF, 5%, NP0, 0402 | 220 pF, 5%, NP0, 0402 |
| L1 | 33 nH, 5%, 0402 | 82 nH, 5%, 0402 | 82 nH, 5%, 0402 |
| L2 | 22 nH, 5%, 0402 | 3.6 nH, 5%, 0402 | 3.6 nH, 5%, 0402 |
| R1 | 82 kΩ, 1%, 0402 | 82 kΩ, 1%, 0402 | 82 kΩ, 1%, 0402 |
| R2 | 1.5 kΩ, 5%, 0402 | 2.2 kΩ, 5%, 0402 | 2.2 kΩ, 5%, 0402 |
| R3 | 4.7 kΩ, 5%, 0402 | 6.8 kΩ, 5%, 0402 | 6.8 kΩ, 5%, 0402 |
| R10 | 82 Ω, 5%, 0402 | 82 Ω, 5%, 0402 | 82 Ω, 5%, 0402 |
| XTAL | 14.7456 MHz crystal, 16 pF load | 14.7456 MHz crystal, 16 pF load | 14.7456 MHz crystal, 16 pF load |

Note: Items shaded vary for different frequencies. For 433 MHz, 12.5 kHz channel, a loop filter with lower bandwidth is used to improve adjacent and alternate channel rejection.

Table 13. Bill of materials for the application circuit in Figure 3

Note:

The PLL loop filter component values in Table 13 (R2, R3, C6-C8) can be used for data rates up to 4.8 kBaud. The SmartRF® Studio software provides component values for other data rates using the equations on page 50.

In the CC1020EMX reference design LQG15HS series inductors from Murata have been used. The switch is SW-456 from M/A-COM.

The LC filter in Figure 3 is inserted in the TX path only. The filter will reduce the emission of harmonics and the spurious emissions in the TX path. An alternative is to insert the LC filter between the antenna and the T/R switch as shown in Figure 4.

The filter will reduce the emission of harmonics and the spurious emissions in the TX path as well as increase the receiver selectivity. The sensitivity will be slightly reduced due to the insertion loss of the LC filter.

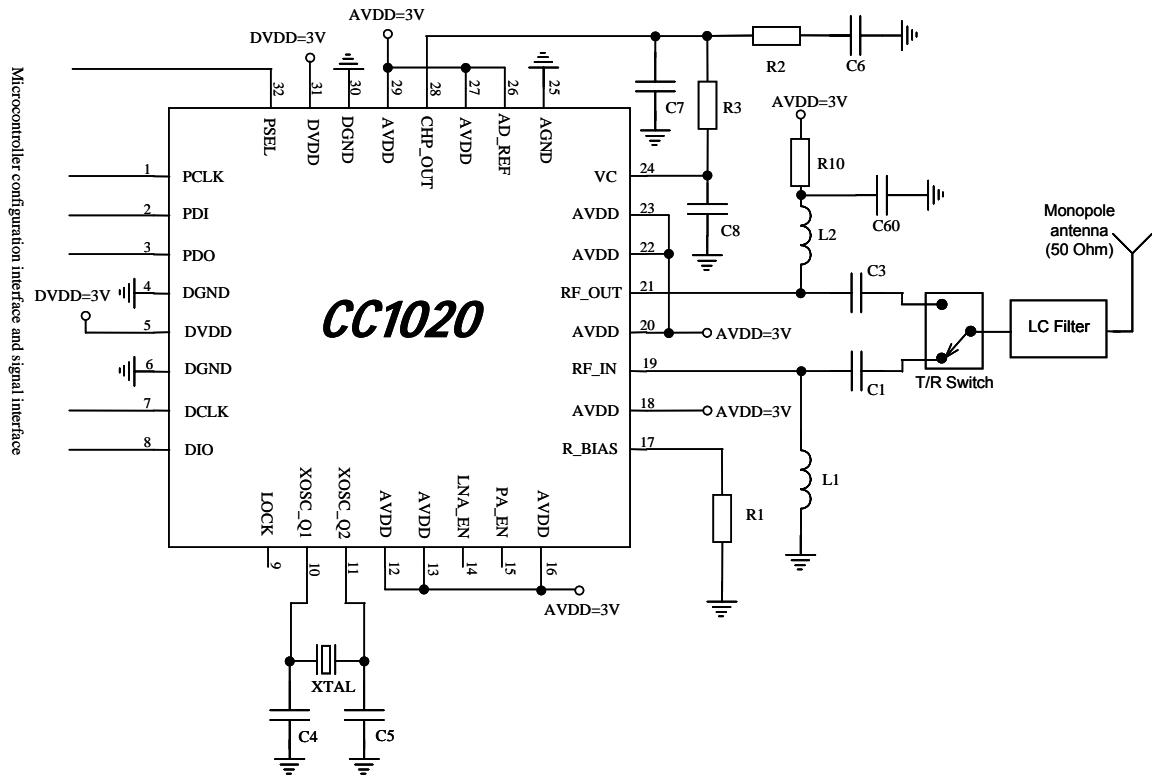


Figure 4. Alternative application circuit (power supply decoupling not shown)

8. Configuration Overview

CC1020 can be configured to achieve optimum performance for different applications. Through the programmable configuration registers the following key parameters can be programmed:

- Receive / transmit mode
- RF output power
- Frequency synthesizer key parameters:
RF output frequency, FSK frequency

separation, crystal oscillator reference frequency

- Power-down / power-up mode
- Crystal oscillator power-up / power-down
- Data rate and data format (NRZ, Manchester coded or UART interface)
- Synthesizer lock indicator mode
- Digital RSSI and carrier sense
- FSK / GFSK / OOK modulation

8.1. Configuration Software

Chipcon provides users of CC1020 with a software program, SmartRF® Studio (Windows interface) that generates all necessary CC1020 configuration data based on the user's selections of various parameters. These hexadecimal numbers will then be the necessary input to the microcontroller for the configuration of

CC1020. In addition, the program will provide the user with the component values needed for the input/output matching circuit, the PLL loop filter and the LC filter.

Figure 5 shows the user interface of the CC1020 configuration software.

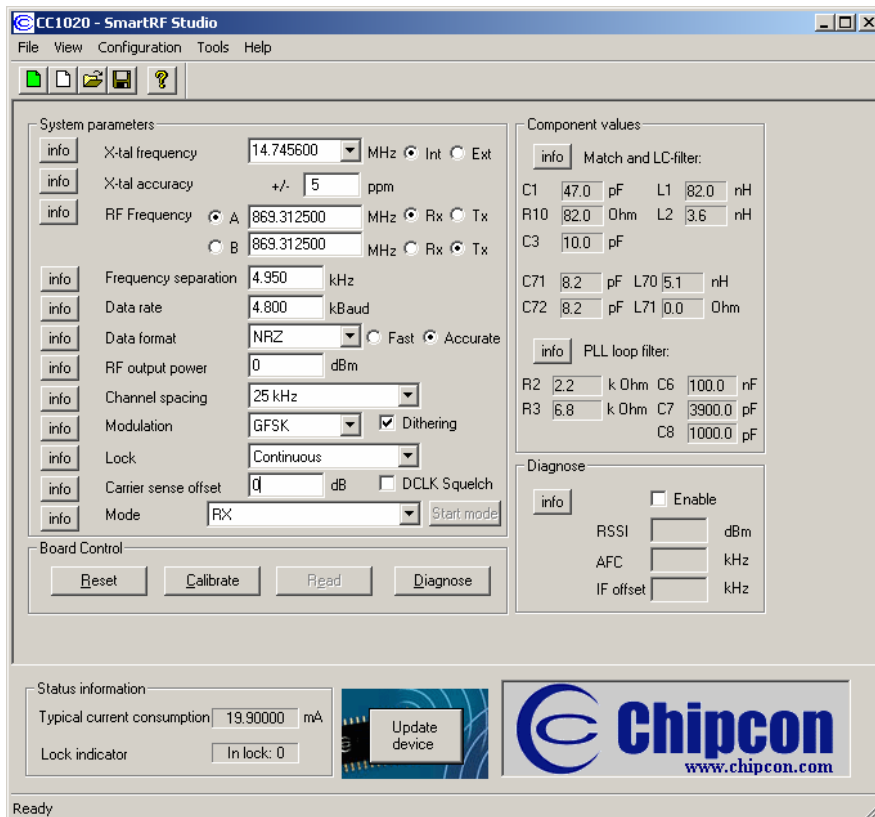


Figure 5. SmartRF® Studio user interface

9. Microcontroller Interface

Used in a typical system, *CC1020* will interface to a microcontroller. This microcontroller must be able to:

- Program *CC1020* into different modes via the 4-wire serial configuration interface (PDI, PDO, PCLK and PSEL)
- Interface to the bi-directional synchronous data signal interface (DIO and DCLK)
- Optionally, the microcontroller can do data encoding / decoding
- Optionally, the microcontroller can monitor the LOCK pin for frequency lock status, carrier sense status or other status information.
- Optionally, the microcontroller can read back the digital RSSI value and other status information via the 4-wire serial interface

Configuration interface

The microcontroller interface is shown in Figure 6. The microcontroller uses 3 or 4 I/O pins for the configuration interface (PDI, PDO, PCLK and PSEL). PDO should be connected to a microcontroller input. PDI, PCLK and PSEL must be microcontroller outputs. One I/O pin can be saved if PDI and PDO are connected together and a bi-directional pin is used at the microcontroller.

The microcontroller pins connected to PDI, PDO and PCLK can be used for other purposes when the configuration interface is not used. PDI, PDO and PCLK are high impedance inputs as long as PSEL is not activated (active low).

PSEL has an internal pull-up resistor and should be left open (tri-stated by the microcontroller) or set to a high level during power down mode in order to prevent a trickle current flowing in the pull-up.

Signal interface

A bi-directional pin is usually used for data (DIO) to be transmitted and data received. DCLK providing the data timing should be connected to a microcontroller input.

As an option, the data output in receive mode can be made available on a separate pin. See section 9.2 on page for 25 further details.

PLL lock signal

Optionally, one microcontroller pin can be used to monitor the LOCK signal. This signal is at low logic level when the PLL is in lock. It can also be used for carrier sense and to monitor other internal test signals.

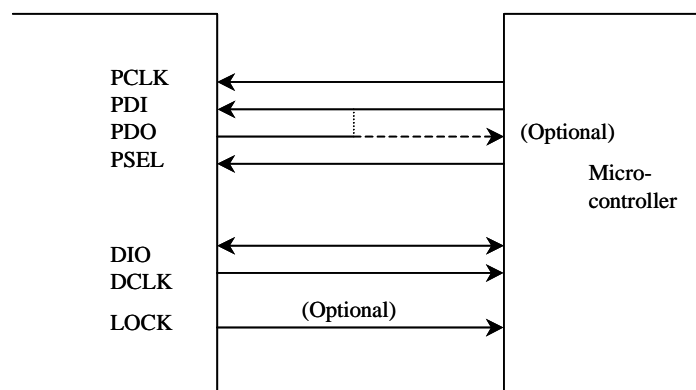


Figure 6. Microcontroller interface

9.1. 4-wire Serial Configuration Interface

CC1020 is configured via a simple 4-wire SPI-compatible interface (PDI, PDO, PCLK and PSEL) where CC1020 is the slave. There are 8-bit configuration registers, each addressed by a 7-bit address. A Read/Write bit initiates a read or write operation. A full configuration of CC1020 requires sending 33 data frames of 16 bits each (7 address bits, R/W bit and 8 data bits). The time needed for a full configuration depends on the PCLK frequency. With a PCLK frequency of 10 MHz the full configuration is done in less than 53 μ s. Setting the device in power down mode requires sending one frame only and will in this case take less than 2 μ s. All registers are also readable.

During each write-cycle, 16 bits are sent on the PDI-line. The seven most significant bits of each data frame (A6:0) are the address-bits. A6 is the MSB (Most Significant Bit) of the address and is sent as the first bit. The next bit is the R/W bit (high for write, low for read). The 8 data-bits are then transferred (D7:0). During address and data transfer the PSEL (Program SElect) must be kept low. See Figure 7.

The timing for the programming is also shown in Figure 7 with reference to Table

14. The clocking of the data on PDI is done on the positive edge of PCLK. Data should be set up on the negative edge of PCLK by the microcontroller. When the last bit, D0, of the 8 data-bits has been loaded, the data word is loaded into the internal configuration register.

The configuration data will be retained during a programmed power down mode, but not when the power supply is turned off. The registers can be programmed in any order.

The configuration registers can also be read by the microcontroller via the same configuration interface. The seven address bits are sent first, then the R/W bit set low to initiate the data read-back. CC1020 then returns the data from the addressed register. PDO is used as the data output and must be configured as an input by the microcontroller. The PDO is set at the negative edge of PCLK and should be sampled at the positive edge. The read operation is illustrated in Figure 8.

PSEL must be set high between each read/write operation.

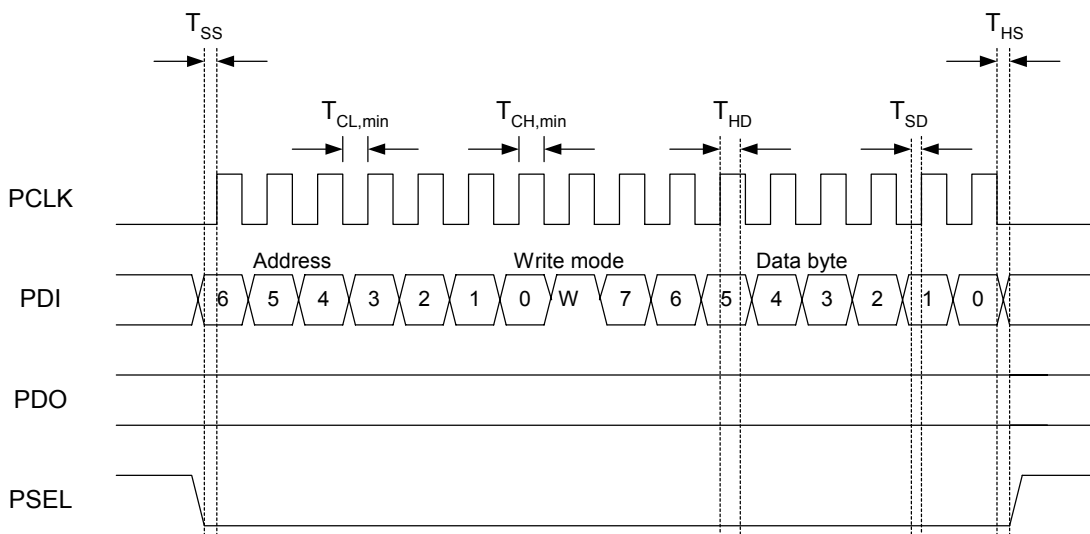


Figure 7. Configuration registers write operation

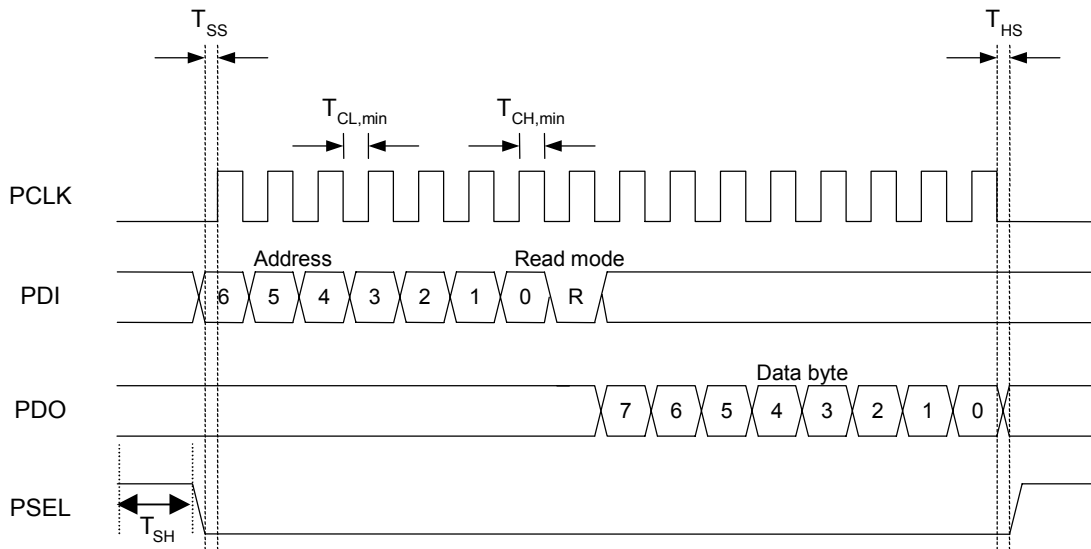


Figure 8. Configuration registers read operation

| Parameter | Symbol | Min | Max | Unit | Conditions |
|--------------------------|--------------|-----|-----|------|---|
| PCLK, clock frequency | F_{PCLK} | | 10 | MHz | |
| PCLK low pulse duration | $T_{CL,min}$ | 50 | | ns | The minimum time PCLK must be low. |
| PCLK high pulse duration | $T_{CH,min}$ | 50 | | ns | The minimum time PCLK must be high. |
| PSEL setup time | T_{SS} | 25 | | ns | The minimum time PSEL must be low before <i>positive</i> edge of PCLK. |
| PSEL hold time | T_{HS} | 25 | | ns | The minimum time PSEL must be held low after the <i>negative</i> edge of PCLK. |
| PSEL high time | T_{SH} | 50 | | ns | The minimum time PSEL must be high. |
| PDI setup time | T_{SD} | 25 | | ns | The minimum time data on PDI must be ready before the <i>positive</i> edge of PCLK. |
| PDI hold time | T_{HD} | 25 | | ns | The minimum time data must be held at PDI, after the <i>positive</i> edge of PCLK. |
| Rise time | T_{rise} | | 100 | ns | The maximum rise time for PCLK and PSEL |
| Fall time | T_{fall} | | 100 | ns | The maximum fall time for PCLK and PSEL |

Note: The setup and hold times refer to 50% of VDD. The rise and fall times refer to 10% / 90% of VDD. The maximum load that this table is valid for is 20 pF.

Table 14. Serial interface, timing specification

9.2. Signal Interface

The *CC1020* can be used with NRZ (Non-Return-to-Zero) data or Manchester (also known as bi-phase-level) encoded data. *CC1020* can also synchronize the data from the demodulator and provide the data clock at DCLK. The data format is controlled by the *DATA_FORMAT[1:0]* bits in the *MODEM* register.

CC1020 can be configured for three different data formats:

Synchronous NRZ mode

In transmit mode *CC1020* provides the data clock at DCLK and DIO is used as data input. Data is clocked into *CC1020* at the rising edge of DCLK. The data is modulated at RF without encoding.

In receive mode *CC1020* performs the synchronization and provides received data clock at DCLK and data at DIO. The data should be clocked into the interfacing circuit at the rising edge of DCLK. See Figure 9.

Synchronous Manchester encoded mode

In transmit mode *CC1020* provides the data clock at DCLK and DIO is used as data input. Data is clocked into *CC1020* at the rising edge of DCLK and should be in NRZ format. The data is modulated at RF with Manchester code. The encoding is done by *CC1020*. In this mode the effective bit rate is half the baud rate due to the coding. As an example, 4.8 kBaud Manchester encoded data corresponds to 2.4 kbps.

In receive mode *CC1020* performs the synchronization and provides received data clock at DCLK and data at DIO. *CC1020* performs the decoding and NRZ data is presented at DIO. The data should be clocked into the interfacing circuit at the rising edge of DCLK. See Figure 10.

In synchronous NRZ or Manchester mode the DCLK signal runs continuously both in RX and TX unless the DCLK signal is gated with the carrier sense signal or the PLL lock signal. Refer to section 21 and section 21.2 for more details.

If *SEP_DI_DO* = 0 in the *INTERFACE* register, the DIO pin is the data output in receive mode and data input in transmit mode.

As an option, the data output can be made available at a separate pin. This is done by setting *SEP_DI_DO* = 1 in the *INTERFACE* register. Then, the LOCK pin will be used as data output in synchronous mode, overriding other use of the LOCK pin.

Transparent Asynchronous UART mode

In transmit mode DIO is used as data input. The data is modulated at RF without synchronization or encoding.

In receive mode the raw data signal from the demodulator is sent to the output (DIO). No synchronization or decoding of the signal is done in *CC1020* and should be done by the interfacing circuit.

If *SEP_DI_DO* = 0 in the *INTERFACE* register, the DIO pin is the data output in receive mode and data input in transmit mode. The DCLK pin is not active and can be set to a high or low level by *DATA_FORMAT[0]*.

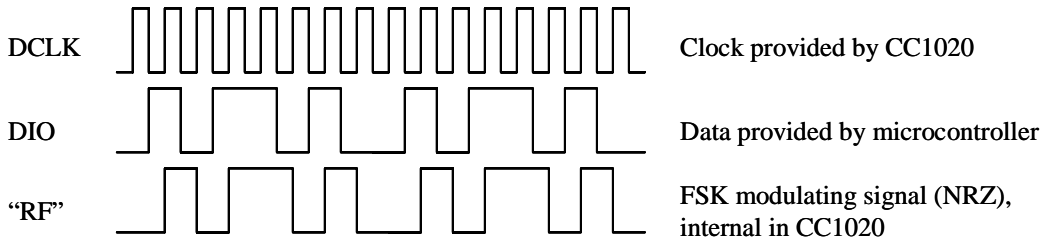
If *SEP_DI_DO* = 1 in the *INTERFACE* register, the DCLK pin is the data output in receive mode and the DIO pin is the data input in transmit mode. In TX mode the DCLK pin is not active and can be set to a high or low level by *DATA_FORMAT[0]*. See Figure 11.

Manchester encoding and decoding

In the *Synchronous Manchester encoded mode* *CC1020* uses Manchester coding when modulating the data. The *CC1020* also performs the data decoding and synchronization. The Manchester code is based on transitions; a "0" is encoded as a low-to-high transition, a "1" is encoded as a high-to-low transition. See Figure 12.

The Manchester code ensures that the signal has a constant DC component, which is necessary in some FSK demodulators. Using this mode also ensures compatibility with CC400/CC900 designs.

Transmitter side:



Receiver side:

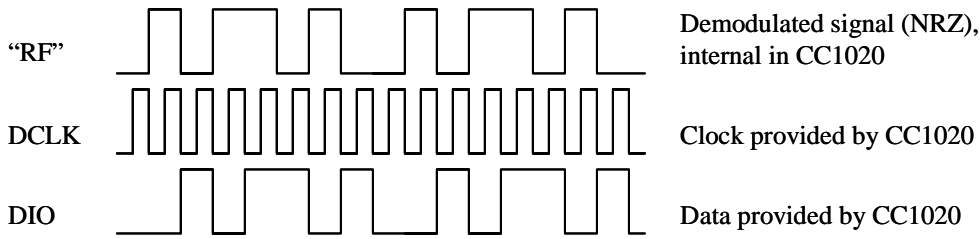
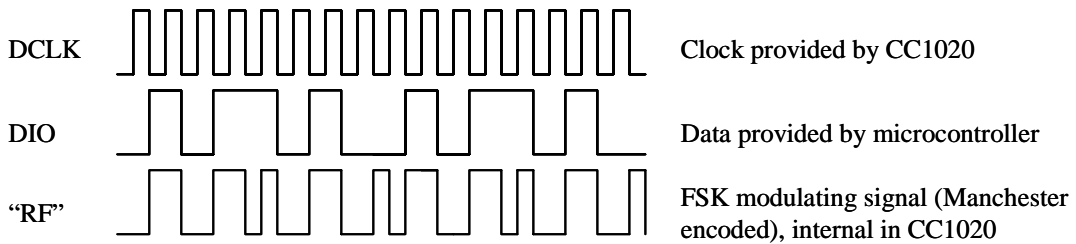


Figure 9. Synchronous NRZ mode ($SEP_DI_DO = 0$)

Transmitter side:



Receiver side:

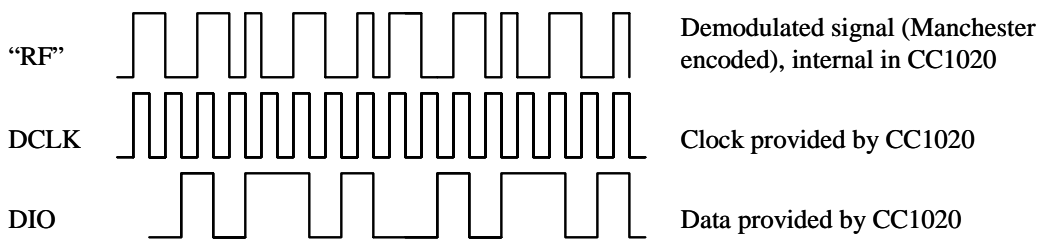
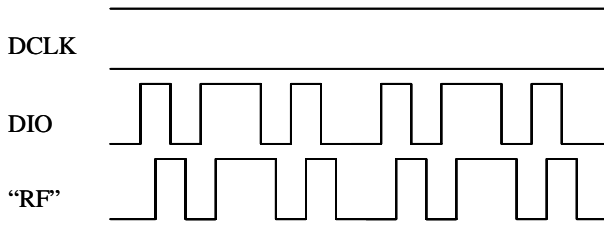


Figure 10. Synchronous Manchester encoded mode ($SEP_DI_DO = 0$)

Transmitter side:

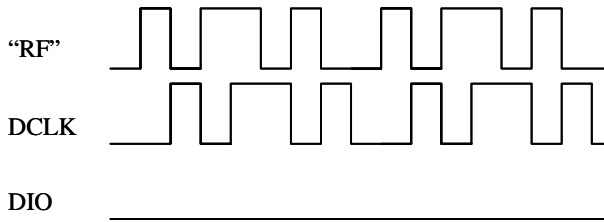


DCLK is not used in transmit mode, and is used as data output in receive mode. It can be set to default high or low in transmit mode.

Data provided by UART (TXD)

FSK modulating signal, internal in CC1020

Receiver side:



Demodulated signal (NRZ), internal in CC1020

DCLK is used as data output provided by CC1020. Connect to UART (RXD)

DIO is not used in receive mode. Used only as data input in transmit mode

Figure 11. Transparent Asynchronous UART mode (*SEP_DI_DO* = 1)

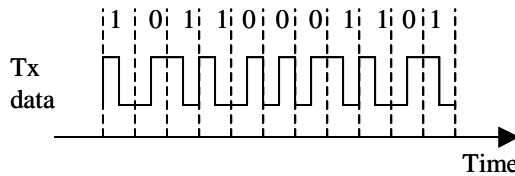


Figure 12. Manchester encoding

10. Data Rate Programming

The data rate (baud rate) is programmable and depends on the crystal frequency and the programming of the *CLOCK* (*CLOCK_A* and *CLOCK_B*) registers.

The baud rate (B.R) is given by

$$B.R. = \frac{f_{xosc}}{8 \cdot (REF_DIV + 1) \cdot DIV1 \cdot DIV2}$$

where DIV1 and DIV2 are given by the value of *MCLK_DIV1* and *MCLK_DIV2*.

Table 17 shows some possible data rates as a function of crystal frequency in synchronous mode. In asynchronous transparent UART mode any data rate up to 153.6 kBaud can be used.

| MCLK_DIV2[1:0] | DIV2 |
|----------------|------|
| 00 | 1 |
| 01 | 2 |
| 10 | 4 |
| 11 | 8 |

Table 15. DIV2 for different settings of MCLK_DIV2

| MCLK_DIV1[2:0] | DIV1 |
|----------------|------|
| 000 | 2.5 |
| 001 | 3 |
| 010 | 4 |
| 011 | 7.5 |
| 100 | 12.5 |
| 101 | 40 |
| 110 | 48 |
| 111 | 64 |

Table 16. DIV1 for different settings of MCLK_DIV1

| Data rate [kBaud] | Crystal frequency [MHz] | | | | | | |
|----------------------|-------------------------|--------|--------|--------|---------|---------|---------|
| | 4.9152 | 7.3728 | 9.8304 | 12.288 | 14.7456 | 17.2032 | 19.6608 |
| 0.45 | | X | | | X | | |
| 0.5 | | | | X | | | |
| 0.6 | X | X | X | X | X | X | X |
| 0.9 | | X | | | X | | |
| 1 | | | | X | | | |
| 1.2 | X | X | X | X | X | X | X |
| 1.8 | | X | | | X | | |
| 2 | | | | X | | | |
| 2.4 | X | X | X | X | X | X | X |
| 3.6 | | X | | | X | | |
| 4 | | | | X | | | |
| 4.096 | | | X | | | | X |
| 4.8 | X | X | X | X | X | X | X |
| 7.2 | | X | | | X | | |
| 8 | | | | X | | | |
| 8.192 | | | X | | | | X |
| 9.6 | X | X | X | X | X | X | X |
| 14.4 | | X | | | X | | |
| 16 | | | | X | | | |
| 16.384 | | | X | | | | X |
| 19.2 | X | X | X | X | X | X | X |
| 28.8 | | X | | | X | | |
| 32 | | | | X | | | |
| 32.768 | | | X | | | | X |
| 38.4 | X | X | X | X | X | X | X |
| 57.6 | | X | | | X | | |
| 64 | | | | X | | | |
| 65.536 | | | | | | | X |
| 76.8 | X | X | X | X | X | X | X |
| 115.2 | | X | | | X | | |
| 128 | | | | X | | | |
| 153.6 | | X | | X | X | X | X |

Table 17. Some possible data rates versus crystal frequency

11. Frequency Programming

Programming the frequency word in the configuration registers sets the operation frequency. There are two frequency words registers, termed *FREQ_A* and *FREQ_B*, which can be programmed to two different frequencies. One of the frequency words can be used for RX (local oscillator frequency) and the other for TX (transmitting carrier frequency) in order to be able to switch very fast between RX mode and TX mode. They can also be used for RX (or TX) at two different channels. The *F_REG* bit in the *MAIN* register selects frequency word A or B.

The frequency word is located in *FREQ_2A:FREQ_1A:FREQ_0A* and *FREQ_2B:FREQ_1B:FREQ_0B* for the *FREQ_A* and *FREQ_B* word respectively. The LSB of the *FREQ_0* registers are used to enable dithering, section 11.1.

The PLL output frequency is given by:

$$f_c = f_{ref} \cdot \left(\frac{3}{4} + \frac{FREQ + 0.5 \cdot DITHER}{32768} \right)$$

in the frequency band 402 – 470 MHz, and

$$f_c = f_{ref} \cdot \left(\frac{3}{2} + \frac{FREQ + 0.5 \cdot DITHER}{16384} \right)$$

in the frequency band 804 – 940 MHz.

The *BANDSELECT* bit in the *ANALOG* register controls the frequency band used. *BANDSELECT* = 0 gives 402 – 470 MHz, and *BANDSELECT* = 1 gives 804 – 940 MHz.

The reference frequency is the crystal oscillator clock frequency divided by

REF_DIV (3 bits in the *CLOCK_A* or *CLOCK_B* register), a number between 1 and 7:

$$f_{ref} = \frac{f_{xosc}}{REF_DIV + 1}$$

FSK frequency deviation is programmed in the *DEVIATION* register. The deviation programming is divided into a mantissa (*TXDEV_M[3:0]*) and an exponent (*TXDEV_X[2:0]*).

Generally *REF_DIV* should be as low as possible but the following requirements must be met

$$9.8304 \geq f_{ref} > \frac{f_c}{256} [MHz]$$

in the frequency band 402 – 470 MHz, and

$$9.8304 \geq f_{ref} > \frac{f_c}{512} [MHz]$$

in the frequency band 804 – 940 MHz.

The PLL output frequency equations above give the carrier frequency, f_c , in transmit mode (centre frequency). The two FSK modulation frequencies are given by:

$$f_0 = f_c - f_{dev}$$

$$f_1 = f_c + f_{dev}$$

where f_{dev} is set by the *DEVIATION* register:

$$f_{dev} = f_{ref} \cdot TXDEV_M \cdot 2^{(TXDEV_X-16)}$$

in the frequency band 402 – 470 MHz and

$$f_{dev} = f_{ref} \cdot TXDEV_M \cdot 2^{(TXDEV_X-15)}$$

in the frequency band 804 – 940 MHz.

OOK (On-Off Keying) is used if *TXDEV_M[3:0]* = 0000.

The *TX_SHAPING* bit in the *DEVIATION* register controls Gaussian shaping of the modulation signal.

In receive mode the frequency must be programmed to be the LO frequency. Low side LO injection is used, hence:

$$f_{LO} = f_c - f_{IF}$$

where f_{IF} is the IF frequency (ideally 307.2 kHz).

11.1. Dithering

Spurious signals will occur at certain frequencies depending on the division ratios in the PLL. To reduce the strength of these spurs, a common technique is to use a dithering signal in the control of the

frequency dividers. Dithering is activated by setting the *DITHER* bit in the *FREQ_0* registers. It is recommended to use the dithering in order to achieve the best possible performance.

12. Receiver

12.1. IF Frequency

The IF frequency is derived from the crystal frequency as

$$f_{IF} = \frac{f_{XOSC}}{8 \cdot (ADC_DIV[2:0] + 1)}$$

where $ADC_DIV[2:0]$ is set in the *MODEM* register.

The analog filter succeeding the mixer is used for wideband and anti-alias filtering which is important for the blocking performance at 1 MHz and larger offsets. This filter is fixed and centered on the nominal IF frequency of 307.2 kHz. The bandwidth of the analog filter is about 160 kHz.

Using crystal frequencies which gives an IF frequency within 300 – 320 kHz means that the analog filter can be used (assuming low frequency deviations and low data rates).

Large offsets, however, from the nominal IF frequency will give an un-symmetric filtering (variation in group delay and different attenuation) of the signal, resulting in decreased sensitivity and selectivity. See Application Note *AN022 Crystal Frequency Selection* for more details.

For IF frequencies other than 300 – 320 kHz and for high frequency deviation and high data rates (typically ≥ 76.8 kBaud) the analog filter must be bypassed by setting $FILTER_BYPASS = 1$ in the *FILTER* register. In this case the blocking performance at 1 MHz and larger offsets will be degraded.

The IF frequency is always the ADC clock frequency divided by 4. The ADC clock frequency should therefore be as close to 1.2288 MHz as possible.

12.2. Receiver Channel Filter Bandwidth

In order to meet different channel spacing requirements, the receiver channel filter bandwidth is programmable. It can be programmed from 9.6 to 307.2 kHz.

The minimum receiver channel filter bandwidth depends on baud rate, frequency separation and crystal tolerance.

The signal bandwidth must be smaller than the available receiver channel filter bandwidth. The signal bandwidth (SBW) can be approximated by (Carson's rule):

$$SBW = 2 \cdot fm + 2 \cdot \text{frequency deviation}$$

where fm is the modulating signal. In Manchester mode the maximum modulating signal occurs when transmitting a continuous sequence of 0's (or 1's). In NRZ mode the maximum modulating signal occurs when transmitting a 0-1-0 sequence. In both

Manchester and NRZ mode $2 \cdot fm$ is then equal to the programmed baud rate. The equation for SBW can then be rewritten as

$$SBW = \text{Baud rate} + \text{frequency separation}$$

Furthermore, the frequency offset of the transmitter and receiver must also be considered. Assuming equal frequency error in the transmitter and receiver (same type of crystal) the total frequency error is:

$$f_error = \pm 2 \cdot XTAL_ppm \cdot f_RF$$

where $XTAL_ppm$ is the total accuracy of the crystal including initial tolerance, temperature drift, loading and ageing. F_RF is the RF operating frequency.

The minimum receiver channel filter bandwidth (ChBW) can then be estimated as

$$ChBW > SBW + 2 \cdot f_error$$

The *DEC_DIV[4:0]* bits in the *FILTER* register control the receiver channel filter bandwidth. The 6 dB bandwidth is given by:

$$\text{ChBW} = 307.2 / (\text{DEC_DIV} + 1) \text{ [kHz]}$$

where the IF frequency is set to 307.2 kHz.

In SmartRF® Studio the user specifies the channel spacing and the channel filter bandwidth is set according to Table 18.

For narrowband systems with channel spacings of 12.5 and 25 kHz the channel filter bandwidth is 12.288 kHz and 19.2 kHz respectively to comply with ARIB STD T-67 and EN 300 220.

For wideband systems (channel spacing of 50 kHz and above) it is possible to use

different channel filter bandwidths than given in Table 18.

There is a trade-off between selectivity as well as sensitivity and accepted frequency tolerance. In applications where larger frequency drift is expected, the filter bandwidth can be increased, but with reduced adjacent channel rejection (ACR) and sensitivity.

| Channel spacing [kHz] | Filter bandwidth [kHz] | FILTER.DEC_DIV [4:0] [decimal(binary)] |
|-----------------------|------------------------|--|
| 12.5 | 12.288 | 24 (11000b) |
| 25 | 19.2 | 15 (01111b) |
| 50 | 25.6 | 11 (01011b) |
| 100 | 51.2 | 5 (00101b) |
| 150 | 102.4 | 2 (00010b) |
| 200 | 153.6 | 1 (00001b) |
| 500 | 307.2 | 0 (00000b) |

Table 18. Channel filter bandwidths used for the channel spacings defined in SmartRF® Studio

12.3. Demodulator, Bit Synchronizer and Data Decision

The block diagram for the demodulator, data slicer and bit synchronizer is shown in Figure 13. The built-in bit synchronizer synchronizes the internal clock to the incoming data and performs data decoding. The data decision is done using over-sampling and digital filtering of the incoming signal. This improves the reliability of the data transmission. Using the synchronous modes simplifies the data-decoding task substantially.

The recommended preamble is a '010101...' bit pattern. The same bit pattern should also be used in Manchester mode, giving a '011001100110...' chip pattern. This is necessary for the bit synchronizer to synchronize to the coding correctly.

The data slicer does the bit decision. Ideally the two received FSK frequencies are placed symmetrically around the IF frequency. However, if there is some frequency error between the transmitter and the receiver, the bit decision level should be adjusted accordingly. In *CC1020* this is done automatically by measuring the two frequencies and use the average value as the decision level.

The digital data slicer in *CC1020* uses an average value of the minimum and maximum frequency deviation detected as the comparison level. The *RXDEV_X[1:0]* and *RXDEV_M[3:0]* in the *AFC_CONTROL* register are used to set the expected deviation of the incoming signal. Once a shift in the received frequency larger than the expected deviation is detected, a bit transition is recorded and the average value to be used by the data slicer is calculated.

The minimum number of transitions required to calculate a slicing level is 3. That is, a 010 bit pattern (NRZ).

The actual number of bits used for the averaging can be increased for better data decision accuracy. This is controlled by the *SETTLING[1:0]* bits in the *AFC_CONTROL* register. If RX data is present in the channel when the RX chain is turned on, then the data slicing estimate will usually give correct results after 3 bit transitions. The data slicing accuracy will increase after this, depending on the *SETTLING[1:0]* bits. If the start of transmission occurs after the RX chain has turned on, the minimum number of bit

transitions (or preamble bits) before correct data slicing will depend on the *SETTLING[1:0]* bits.

The automatic data slicer average value function can be disabled by setting *SETTLING[1:0] = 00*. In this case a symmetrical signal around the IF frequency is assumed.

The internally calculated average FSK frequency value gives a measure for the frequency offset of the receiver compared to the transmitter. This information can also be used for an automatic frequency control (AFC) as described in section 12.13.

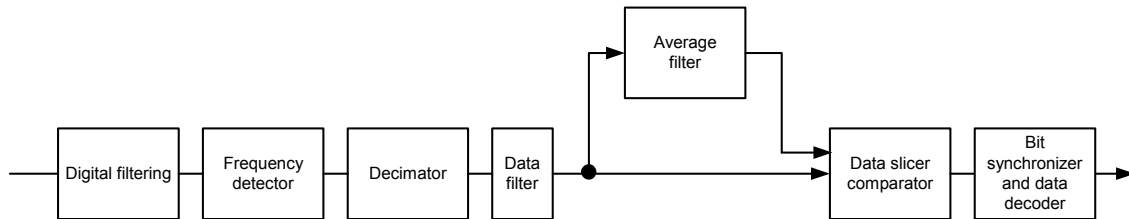


Figure 13. Demodulator block diagram

12.4. Receiver Sensitivity versus Data Rate and Frequency Separation

The receiver sensitivity depends on the channel filter bandwidth, data rate, data format, FSK frequency separation and the RF frequency. Typical figures for the receiver sensitivity ($BER = 10^{-3}$) are shown in Table 19 and Table 20 for FSK. For best performance, the frequency deviation should be at least half the baud rate in FSK mode.

The sensitivity is measured using the matching network shown in the application circuit in Figure 3, which includes an external T/R switch.

Refer to Application Note AN029 CC1020/1021 AFC for plots of sensitivity versus frequency offset.

| Data rate [kBaud] | Channel spacing [kHz] | Deviation [kHz] | Filter BW [kHz] | Sensitivity [dBm] | | |
|---------------------------|-----------------------|-----------------|-----------------|-------------------|-----------------|-----------|
| | | | | NRZ mode | Manchester mode | UART mode |
| 2.4 optimized sensitivity | 12.5 | ± 2.025 | 9.6 | -115 | -118 | -115 |
| 2.4 optimized selectivity | 12.5 | ± 2.025 | 12.288 | -112 | -114 | -112 |
| 4.8 | 25 | ± 2.475 | 19.2 | -112 | -112 | -112 |
| 9.6 | 50 | ± 4.95 | 25.6 | -110 | -111 | -110 |
| 19.2 | 100 | ± 9.9 | 51.2 | -107 | -108 | -107 |
| 38.4 | 150 | ± 19.8 | 102.4 | -104 | -104 | -104 |
| 76.8 | 200 | ± 36.0 | 153.6 | -101 | -101 | -101 |
| 153.6 | 500 | ± 72.0 | 307.2 | -96 | -97 | -96 |

Table 19. Typical receiver sensitivity as a function of data rate at 433 MHz, FSK modulation, $BER = 10^{-3}$, pseudo-random data (PN9 sequence)

Note: "Optimized selectivity" in Table 19 is relevant for systems targeting compliance with ARIB STD T-67, 12.5 kHz channel spacing.

| Data rate [kBaud] | Channel spacing [kHz] | Deviation [kHz] | Filter BW [kHz] | Sensitivity [dBm] | | |
|-------------------|-----------------------|-----------------|-----------------|-------------------|-----------------|-----------|
| | | | | NRZ mode | Manchester mode | UART mode |
| 2.4 | 12.5 | ± 2.025 | 12.288 | -112 | -116 | -112 |
| 4.8 | 25 | ± 2.475 | 19.2 | -111 | -112 | -111 |
| 9.6 | 50 | ± 4.95 | 25.6 | -109 | -110 | -109 |
| 19.2 | 100 | ± 9.9 | 51.2 | -107 | -107 | -107 |
| 38.4 | 150 | ± 19.8 | 102.4 | -103 | -103 | -103 |
| 76.8 | 200 | ± 36.0 | 153.6 | -99 | -100 | -99 |
| 153.6 | 500 | ± 72.0 | 307.2 | -94 | -94 | -94 |

Table 20. Typical receiver sensitivity as a function of data rate at 868 MHz, FSK modulation, BER = 10⁻³, pseudo-random data (PN9 sequence)

12.5. RSSI

CC1020 has a built-in RSSI (Received Signal Strength Indicator) giving a digital value that can be read from the *RSSI* register. The RSSI reading must be offset and adjusted for VGA gain setting (*VGA_SETTING[4:0]* in the *VGA3* register).

The digital RSSI value is ranging from 0 to 106 (7 bits).

The RSSI reading is a logarithmic measure of the average voltage amplitude after the digital filter in the digital part of the IF chain:

$$RSSI = 4 \log_2(\text{signal amplitude})$$

The relative power is then given by RSSI x 1.5 dB in a logarithmic scale.

The number of samples used to calculate the average signal amplitude is controlled by *AGC_AVG[1:0]* in the *VGA2* register. The RSSI update rate is given by:

$$f_{RSSI} = \frac{f_{filter_clock}}{2^{AGC_AVG[1:0]+1}}$$

where *AGC_AVG[1:0]* is set in the *VGA2* register and $f_{filter_clock} = 2 \cdot ChBW$.

Maximum VGA gain is programmed by the *VGA_SETTING[4:0]* bits. The VGA gain is programmed in approximately 3 dB/LSB. The RSSI measurement can be referred to the power (absolute value) at the RF_IN pin by using the following equation:

$$P = 1.5 \cdot RSSI - 3 \cdot VGA_SETTING - RSSI_Offset [dBm]$$

The *RSSI_Offset* depends on the channel filter bandwidth used due to different VGA settings. Figure 14 and Figure 15 show typical plots of RSSI reading as a function of input power for different channel spacings. See section 12.5 on page 33 for a list of channel filter bandwidths corresponding to the various channel spacings. Refer to Application Note AN030 CC1020/1021 RSSI for further details.

The following method can be used to calculate the power P in dBm from the RSSI readout values in Figure 14 and Figure 15:

$$P = 1.5 \cdot [RSSI - RSSI_ref] + P_ref$$

where P is the output power in dBm for the current RSSI readout value. *RSSI_ref* is the RSSI readout value taken from Figure 14 or Figure 15 for an input power level of *P_ref*. Note that the RSSI reading in decimal value changes for different channel filter bandwidths.

The analog filter has a finite dynamic range and is the reason why the RSSI reading is saturated at lower channel spacings. Higher channel spacing is typically used for high frequency deviation and data rates. The analog filter bandwidth is about 160 kHz and is bypassed for high frequency deviation and data rates and is the reason why the RSSI reading is not saturated for 200 kHz and 500 kHz channel spacing in Figure 14 and Figure 15.

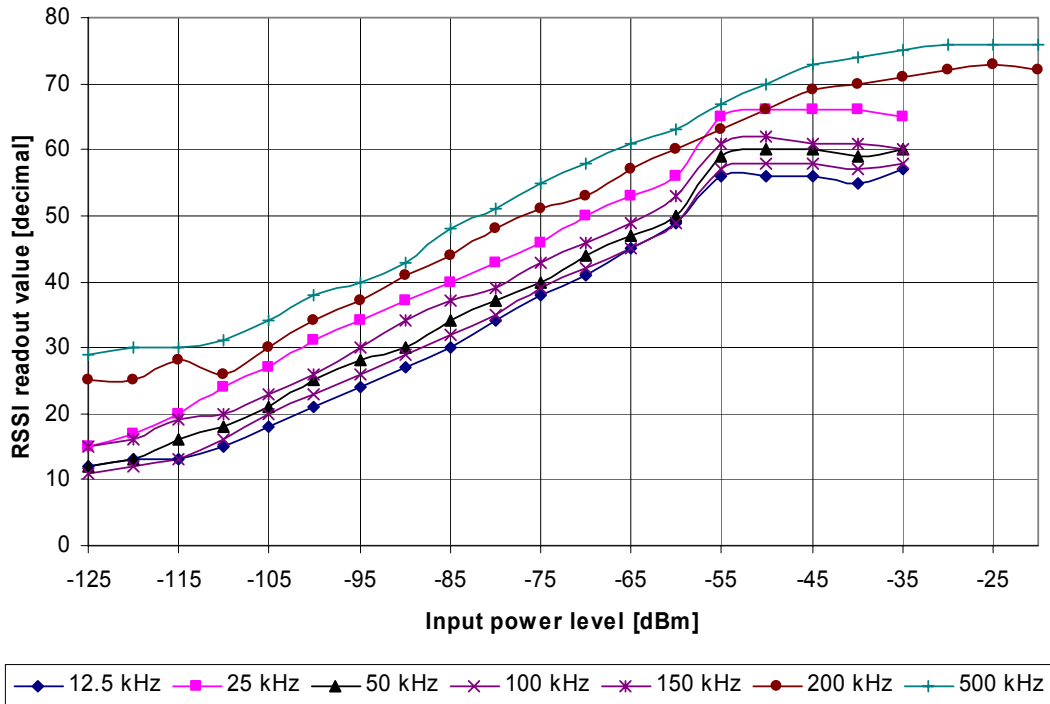


Figure 14. Typical RSSI value vs. input power for some typical channel spacings, 433 MHz

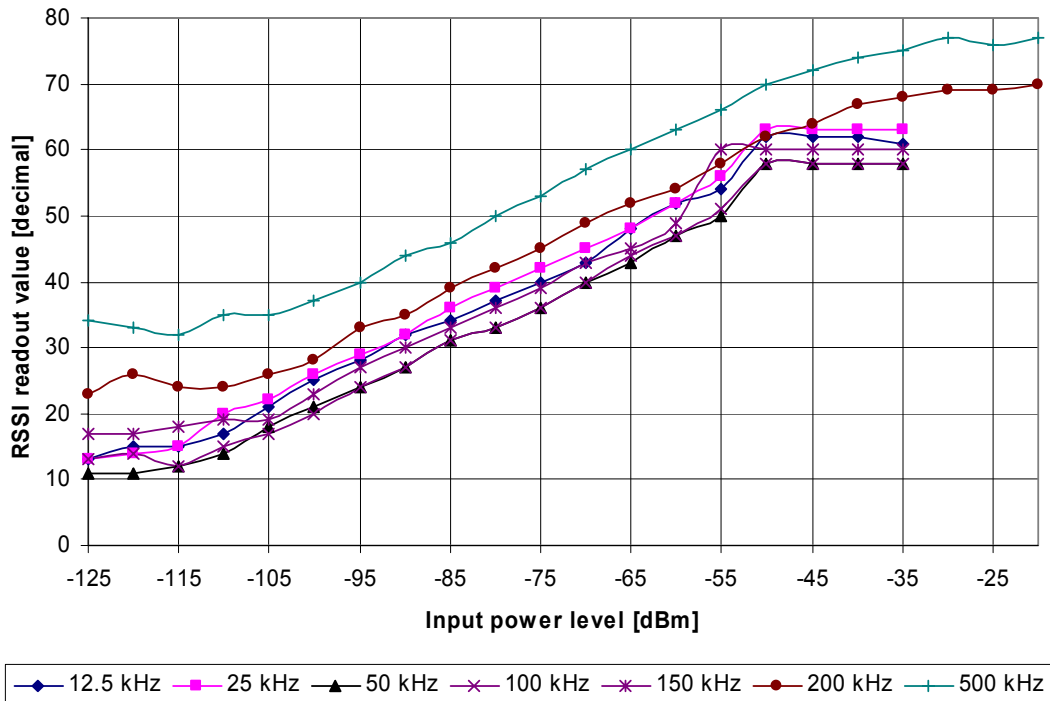


Figure 15. Typical RSSI value vs. input power for some typical channel spacings, 868 MHz

12.6. Image Rejection Calibration

For perfect image rejection, the phase and gain of the “I” and “Q” parts of the analog RX chain must be perfectly matched. To improve the image rejection, the “I” and “Q” phase and gain difference can be fine-tuned by adjusting the *PHASE_COMP* and *GAIN_COMP* registers. This allows compensation for process variations and other nonidealities. The calibration is done by injecting a signal at the image frequency, and adjusting the phase and gain difference for minimum RSSI value.

During image rejection calibration, an unmodulated carrier should be applied at the image frequency (614.4 kHz below the desired channel). No signal should be present in the desired channel. The signal level should be 50 – 60 dB above the sensitivity in the desired channel, but the optimum level will vary from application to application. Too large input level gives poor results due to limited linearity in the analog IF chain, while too low input level gives poor results due to the receiver noise floor.

For best RSSI accuracy, use $AGC_AVG(1:0) = 11$ during image rejection calibration (RSSI value is averaged over 16 filter output samples). The RSSI register update rate then equals the receiver channel bandwidth (set in *FILTER* register) divided by 8, as the filter output rate is twice the receiver channel bandwidth. This gives the minimum waiting time between RSSI register reads (0.5 ms is used below). Chipcon recommends the following image calibration procedure:

1. Define 3 variables: $XP = 0$, $XG = 0$ and $DX = 64$. Go to step 3.
2. Set $DX = DX/2$.
3. Write XG to *GAIN_COMP* register.
4. If $XP+2\cdot DX < 127$ then
write $XP+2\cdot DX$ to *PHASE_COMP* register
else
write 127 to *PHASE_COMP* register.
5. Wait at least 3 ms. Measure signal strength $Y4$ as filtered average of 8 reads from RSSI register with 0.5 ms of delay between each RSSI read.
6. Write $XP+DX$ to *PHASE_COMP* register.
7. Wait at least 3 ms. Measure signal strength $Y3$ as filtered average of 8 reads from RSSI register with 0.5 ms of delay between each RSSI read.
8. Write XP to *PHASE_COMP* register.
9. Wait at least 3 ms. Measure signal strength $Y2$ as filtered average of 8 reads from RSSI register with 0.5 ms of delay between each RSSI read.

10. Write $XP-DX$ to *PHASE_COMP* register.
11. Wait at least 3 ms. Measure signal strength $Y1$ as filtered average of 8 reads from RSSI register with 0.5 ms of delay between each RSSI read.
12. Write $XP-2\cdot DX$ to *PHASE_COMP* register.
13. Wait at least 3 ms. Measure signal strength $Y0$ as filtered average of 8 reads from RSSI register with 0.5 ms of delay between each RSSI read.
14. Set $AP = 2\cdot(Y0-Y2+Y4) - (Y1+Y3)$.
15. If $AP > 0$ then
set $DP = \text{ROUND}(7\cdot DX\cdot(2\cdot(Y0-Y4)+Y1-Y3) / (10\cdot AP))$
else
if $Y0+Y1 > Y3+Y4$ then
set $DP = DX$
else
set $DP = -DX$.
16. If $DP > DX$ then
set $DP = DX$
else
if $DP < -DX$ then set $DP = -DX$.
17. Set $XP = XP+DP$.
18. Write XP to *PHASE_COMP* register.
19. If $XG+2\cdot DX < 127$ then
write $XG+2\cdot DX$ to *GAIN_COMP* register
else
write 127 to *GAIN_COMP* register.
20. Wait at least 3 ms. Measure signal strength $Y4$ as filtered average of 8 reads from RSSI register with 0.5 ms of delay between each RSSI read.
21. Write $XG+DX$ to *GAIN_COMP* register.
22. Wait at least 3 ms. Measure signal strength $Y3$ as filtered average of 8 reads from RSSI register with 0.5 ms of delay between each RSSI read.
23. Write XG to *GAIN_COMP* register.
24. Wait at least 3 ms. Measure signal strength $Y2$ as filtered average of 8 reads from RSSI register with 0.5 ms of delay between each RSSI read.
25. Write $XG-DX$ to *GAIN_COMP* register.
26. Wait at least 3 ms. Measure signal strength $Y1$ as filtered average of 8 reads from RSSI register with 0.5 ms of delay between each RSSI read.
27. Write $XG-2\cdot DX$ to *GAIN_COMP* register.
28. Wait at least 3 ms. Measure signal strength $Y0$ as filtered average of 8 reads from RSSI register with 0.5 ms of delay between each RSSI read.
29. Set $AG = 2\cdot(Y0-Y2+Y4) - (Y1+Y3)$.
30. If $AG > 0$ then
set $DG = \text{ROUND}(7\cdot DX\cdot(2\cdot(Y0-Y4)+Y1-Y3) / (10\cdot AG))$
else
if $Y0+Y1 > Y3+Y4$ then
set $DG = DX$
else
set $DG = -DX$.
31. If $DG > DX$ then
set $DG = DX$
else
if $DG < -DX$ then set $DG = -DX$.
32. Set $XG = XG+DG$.
33. If $DX > 1$ then go to step 2.
34. Write XP to *PHASE_COMP* register and XG to *GAIN_COMP* register.

If repeated calibration gives varying results, try to change the input level or increase the number of RSSI reads N . A good starting point is $N=8$. As accuracy is

more important in the last fine-calibration steps, it can be worthwhile to increase N for each loop iteration.

For high frequency deviation and high data rates (typically ≥ 76.8 kBaud) the analog filter succeeding the mixer must be bypassed by setting `FILTER_BYPASS = 1`

in the `FILTER` register. In this case the image rejection is degraded.

The image rejection is reduced for low supply voltages (typically < 2.5 V) when operating in the 402 – 470 MHz frequency range.

12.7. Blocking and Selectivity

Figure 16 shows the blocking/selectivity at 433 MHz, 12.5 kHz channel spacing. Figure 17 shows the blocking/selectivity at 868 MHz, 25 kHz channel spacing. The

blocking rejection is the ratio between a modulated blocker (interferer) and a wanted signal 3 dB above the sensitivity limit.

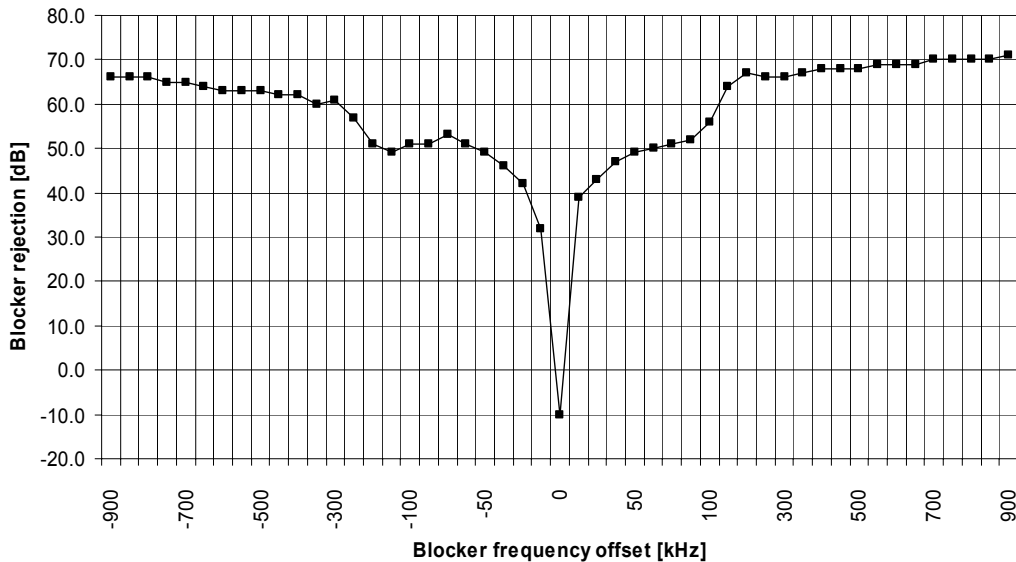


Figure 16. Typical blocker rejection. Carrier frequency set to 434.3072 MHz (12.5 kHz channel spacing, 12.288 kHz receiver channel filter bandwidth)

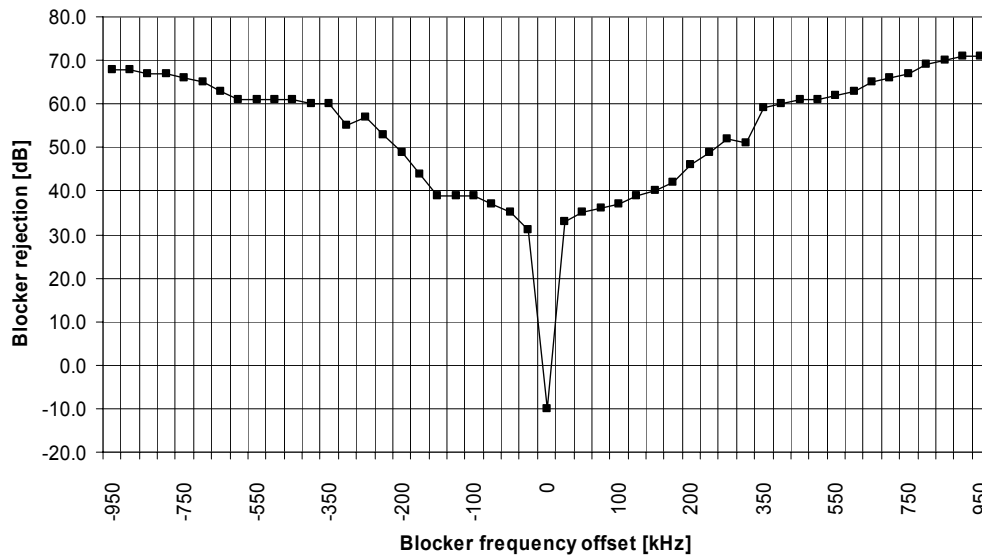


Figure 17. Typical blocker rejection. Carrier frequency set to 868.3072 MHz (25 kHz channel spacing, 19.2 kHz receiver channel filter bandwidth)

12.8. Linear IF Chain and AGC Settings

CC1020 is based on a linear IF chain where the signal amplification is done in an analog VGA (Variable Gain Amplifier). The gain is controlled by the digital part of the IF chain after the ADC (Analog to Digital Converter). The AGC (Automatic Gain Control) loop ensures that the ADC operates inside its dynamic range by using an analog/digital feedback loop.

The maximum VGA gain is programmed by the *VGA_SETTING[4:0]* in the *VGA3* register. The VGA gain is programmed in approximately 3 dB/LSB. The VGA gain should be set so that the amplified thermal noise from the front-end balance the quantization noise from the ADC. Therefore the optimum maximum VGA gain setting will depend on the channel filter bandwidth.

A digital RSSI is used to measure the signal strength after the ADC. The *CS_LEVEL[4:0]* in the *VGA4* register is used to set the nominal operating point of the gain control (and also the carrier sense level). Further explanation can be found in Figure 18.

The VGA gain will be changed according to a threshold set by the *VGA_DOWN[2:0]* in the *VGA3* register and the *VGA_UP[2:0]*

in the *VGA4* register. Together, these two values specify the signal strength limits used by the AGC to adjust the VGA gain.

To avoid unnecessary tripping of the VGA, an extra hysteresis and filtering of the RSSI samples can be added. The *AGC_HYSTERESIS* bit in the *VGA2* register enables this.

The time dynamics of the loop can be altered by the *VGA_BLANKING* bit in the *ANALOG* register, and *VGA_FREEZE[1:0]* and *VGA_WAIT[2:0]* bits in the *VGA1* register.

When *VGA_BLANKING* is activated, the VGA recovery time from DC offset spikes after a gain step is reduced.

VGA_FREEZE determines the time to hold bit synchronization, VGA and RSSI levels after one of these events occur:

- RX power-up
- The PLL has been out of lock
- Frequency register setting is switched between A and B

This feature is useful to avoid AGC operation during start-up transients and to ensure minimum dwell time using

frequency hopping. This means that bit synchronization can be maintained from hop to hop.

VGA_WAIT determines the time to hold the present bit synchronization and RSSI levels after changing VGA gain. This feature is useful to avoid AGC operation during the settling of transients after a VGA gain change. Some transients are expected due to DC offsets in the VGA.

At the sensitivity limit, the VGA gain is set by *VGA_SETTING*. In order to optimize selectivity, this gain should not be set higher than necessary. The SmartRF® Studio software gives the settings for *VGA1* – *VGA4* registers. For reference, the following method can be used to find the AGC settings:

1. Disable AGC and use maximum LNA2 gain by writing BFh to the *VGA2* register. Set minimum VGA gain by writing to the *VGA3* register with *VGA_SETTING* = 0.
2. Apply no RF input signal, and measure ADC noise floor by reading the *RSSI* register.
3. Apply no RF input signal, and write *VGA3* register with increasing *VGA_SETTING* value until the *RSSI* register value is approximately 4 larger than the value read in step 2. This places the front-end noise floor around 6 dB above the ADC noise floor.
4. Apply an RF signal with strength equal the desired carrier sense threshold. The RF signal should preferably be modulated with correct Baud rate and deviation. Read the *RSSI* register value, subtract 8, and write to *CS_LEVEL* in the *VGA4* register. Vary the RF signal level slightly and check that carrier sense indication (bit 3 in *STATUS* register) switches at the desired input level.
5. If desired, adjust the *VGA_UP* and *VGA_DOWN* settings according to the explanation in Figure 18.
6. Enable AGC and select LNA2 gain change level. Write 55h to *VGA2* register if the resulting *VGA_SETTING* > 10. Otherwise, write 45h to *VGA2*. Modify *AGC_AVG* in the above *VGA2* value if faster carrier sense and AGC settling is desired.

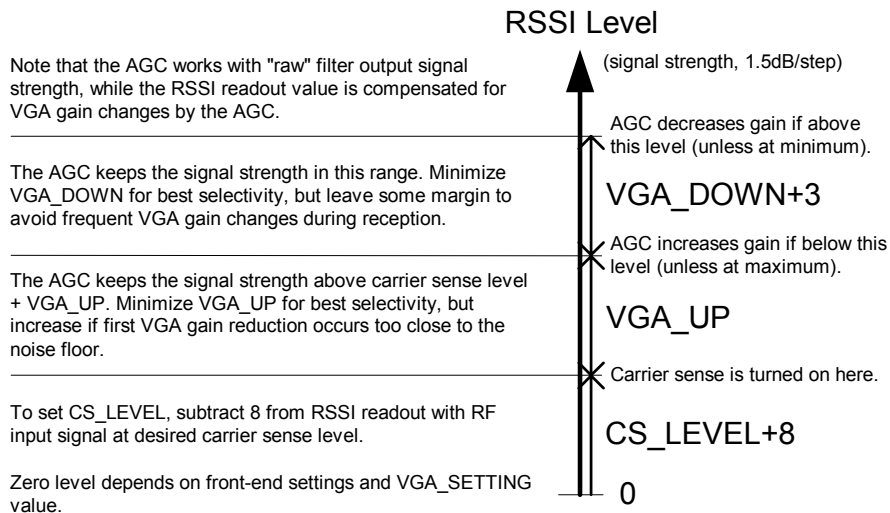


Figure 18. Relationship between RSSI, carrier sense level, and AGC settings *CS_LEVEL*, *VGA_UP* and *VGA_DOWN*

12.9. AGC Settling

After turning on the RX chain, the following occurs:

A) The AGC waits 16-128 *ADC_CLK* (1.2288 MHz) periods, depending on the *VGA_FREEZE* setting in the *VGA1* register, for settling in the analog parts.

B) The AGC waits 16-48 *FILTER_CLK* periods, depending on the *VGA_WAIT* setting in the *VGA1* register, for settling in the analog parts and the digital channel filter.

C) The AGC calculates the RSSI value as the average magnitude over the next 2-16

FILTER_CLK periods, depending of the AGC_AVG setting in the VGA2 register.

D) If the RSSI value is higher than CS_LEVEL+8, then the carrier sense indicator is set (if CS_SET = 0). If the RSSI value is too high according to the CS_LEVEL, VGA_UP and VGA_DOWN settings, and the VGA gain is not already at minimum, then the VGA gain is reduced and the AGC continues from B).

E) If the RSSI value is too low according to the CS_LEVEL and VGA_UP settings, and the VGA gain is not already at maximum (given by VGA_SETTING), then the VGA gain is increased and the AGC continues from B).

2-3 VGA gain changes should be expected before the AGC has settled. Increasing AGC_AVG increases the settling time, but may be worthwhile if there is the time in the protocol, and for reducing false wake-up events when setting the carrier sense close to the noise floor.

The AGC settling time depends on the FILTER_CLK (= 2·ChBW). Thus, there is a trade off between AGC settling time and receiver sensitivity because the AGC settling time can be reduced for data rates lower than 76.8 kBaud by using a wider receiver channel filter bandwidth (i.e. larger ChBW).

12.10. Preamble Length and Sync Word

The rules for choosing a good sync word are as follows:

1. The sync word should be significantly different from the preamble
2. A large number of transitions is good for the bit synchronization or clock recovery. Equal bits reduce the number of transitions. The recommended sync word has at the most 3 equal bits in a row.
3. Autocorrelation. The sync word should not repeat itself, as this will increase the likelihood for errors.
4. In general the first bit of sync should be opposite of last bit in preamble, to achieve one more transition.

The recommended sync words for **CC1020** are 2 bytes (D391), 3 bytes (D391DA) or 4 bytes (D391DA26) and are selected as the best compromise of the above criteria.

Using the register settings provided by the SmartRF® Studio software, packet error rates (PER) less than 0.5% can be achieved when using 24 bits of preamble and a 16 bit sync word (D391). Using a preamble longer than 24 bits will improve the PER.

When performing the PER measurements described above the packet format consisted of 10 bytes of random data, 2 bytes CRC and 1 dummy byte in addition to the sync word and preamble at the start of each package.

For the test 1000 packets were sent 10 times. The transmitter was put in power down between each packet. Any bit error in the packet, either in the sync word, in the data or in the CRC caused the packet to be counted as a failed packet.

12.11. Carrier Sense

The carrier sense signal is based on the RSSI value and a programmable threshold. The carrier sense function can be used to simplify the implementation of a CSMA (Carrier Sense Multiple Access) medium access protocol.

Carrier sense threshold level is programmed by CS_LEVEL[4:0] in the VGA4 register and VGA_SETTING[4:0] in the VGA3 register.

VGA_SETTING[4:0] sets the maximum gain in the VGA. This value must be set so that the ADC works with optimum dynamic range for a certain channel filter bandwidth. The detected signal strength (after the ADC) will therefore depend on this setting.

CS_LEVEL[4:0] sets the threshold for this specific VGA_SETTING[4:0] value. If the VGA_SETTING[4:0] is changed, the

CS_LEVEL[4:0] must be changed accordingly to maintain the same absolute carrier sense threshold. See Figure 18 for an explanation of the relationship between RSSI, AGC and carrier sense settings.

The carrier sense signal can be read as the *CARRIER_SENSE* bit in the *STATUS* register.

The carrier sense signal can also be made available at the LOCK pin by setting *LOCK_SELECT[3:0] = 0100* in the *LOCK* register.

12.12. Automatic Power-up Sequencing

CC1020 has a built-in automatic power-up sequencing state machine. By setting the *CC1020* into this mode, the receiver can be powered-up automatically by a wake-up signal and will then check for a carrier signal (carrier sense). If carrier sense is not detected, it returns to power-down mode. A flow chart for automatic power-up sequencing is shown in Figure 19.

The automatic power-up sequencing mode is selected when *PD_MODE[1:0] = 11* in the *MAIN* register. When the automatic power-up sequencing mode is selected, the functionality of the *MAIN* register is changed and used to control the sequencing.

By setting *SEQ_PD = 1* in the *MAIN* register, *CC1020* is set in power down mode. If *SEQ_PSEL = 1* in the *SEQUENCING* register the automatic power-up sequence is initiated by a negative transition on the PSEL pin.

If *SEQ_PSEL = 0* in the *SEQUENCING* register, then the automatic power-up sequence is initiated by a negative transition on the DIO pin (as long as *SEP_DI_DO = 1* in the *INTERFACE* register).

Sequence timing is controlled through *RX_WAIT[2:0]* and *CS_WAIT[3:0]* in the *SEQUENCING* register.

VCO and PLL calibration can also be done automatically as a part of the sequence. This is controlled through *SEQ_CAL[1:0]* in the *MAIN* register. Calibration can be done every time, every 16th sequence, every 256th sequence, or never. See the register description for details. A description of when to do, and how the VCO and PLL self-calibration is done, is given in section 15.2 on page 51.

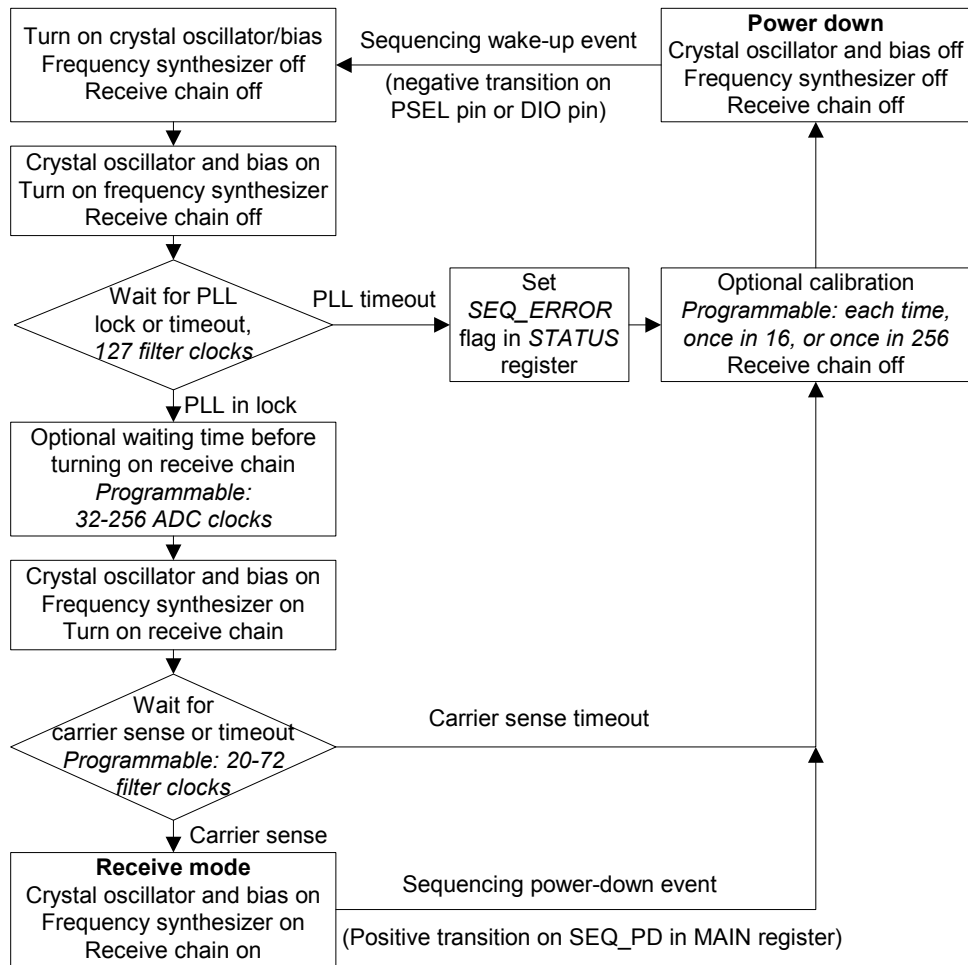


Figure 19. Automatic power-up sequencing flow chart

Notes to Figure 19:

Filter clock (FILTER_CLK):

$$f_{filter_clock} = 2 \cdot ChBW$$

where ChBW is defined on page 30.

ADC clock (ADC_CLK):

$$f_{ADC} = \frac{f_{xoscx}}{2 \cdot (ADC_DIV[2:0] + 1)}$$

where ADC_DIV[2:0] is set in the MODEM register.

12.13. Automatic Frequency Control

CC1020 has a built-in feature called AFC (Automatic Frequency Control) that can be used to compensate for frequency drift.

The average frequency offset of the received signal (from the nominal IF frequency) can be read in the AFC register. The signed (2's-complement) 8-bit value AFC[7:0] can be used to

compensate for frequency offset between transmitter and receiver.

The frequency offset is given by:

$$\Delta F = AFC \cdot \text{Baud rate} / 16$$

The receiver can be calibrated against the transmitter by changing the operating frequency according to the measured

offset. The new frequency must be calculated and written to the *FREQ* register by the microcontroller. The AFC can be used for an FSK/GFSK signal, but not for OOK. Application Note *AN029 CC1020/1021 AFC* provides the procedure

and equations necessary to implement AFC.

The AFC feature reduces the crystal accuracy requirement.

12.14. Digital FM

It is possible to read back the instantaneous IF from the FM demodulator as a frequency offset from the nominal IF frequency. This digital value can be used to perform a pseudo analog FM demodulation.

The frequency offset can be read from the *GAUSS_FILTER* register and is a signed 8-bit value coded as 2-complement.

The instantaneous deviation is given by:

$$F = \text{GAUSS_FILTER} \cdot \text{Baud rate} / 8$$

The digital value should be read from the register and sent to a DAC and filtered in order to get an analog audio signal. The internal register value is updated at the *MODEM_CLK* rate. *MODEM_CLK* is available at the *LOCK* pin when *LOCK_SELECT[3:0] = 1101* in the *LOCK* register, and can be used to synchronize the reading.

For audio (300 – 4000 Hz) the sampling rate should be higher than or equal to 8

kHz (Nyquist) and is determined by the *MODEM_CLK*. The *MODEM_CLK*, which is the sampling rate, equals 8 times the baud rate. That is, the minimum baud rate, which can be programmed, is 1 kBaud. However, the incoming data will be filtered in the digital domain and the 3-dB cut-off frequency is 0.6 times the programmed Baud rate. Thus, for audio the minimum programmed Baud rate should be approximately 7.2 kBaud.

The *GAUSS_FILTER* resolution decreases with increasing baud rate. An accumulate and dump filter can be implemented in the uC to improve the resolution. Note that each *GAUSS_FILTER* reading should be synchronized to the *MODEM_CLK*. As an example, accumulating 4 readings and dividing the total by 4 will improve the resolution by 2 bits.

Furthermore, to fully utilize the *GAUSS_FILTER* dynamic range the frequency deviation must be 16 times the programmed baud rate.

13. Transmitter

13.1. FSK Modulation Formats

The data modulator can modulate FSK, which is a two level FSK (Frequency Shift Keying), or GFSK, which is a Gaussian filtered FSK with BT = 0.5. The purpose of the GFSK is to make a more bandwidth efficient system as shown in Figure 20. The modulation and the Gaussian filtering are done internally in the chip. The

TX_SHAPING bit in the *DEVIATION* register enables the GFSK. GFSK is recommended for narrowband operation.

Figure 21 and Figure 22 show typical eye diagrams for 434 MHz and 868 MHz operation respectively.

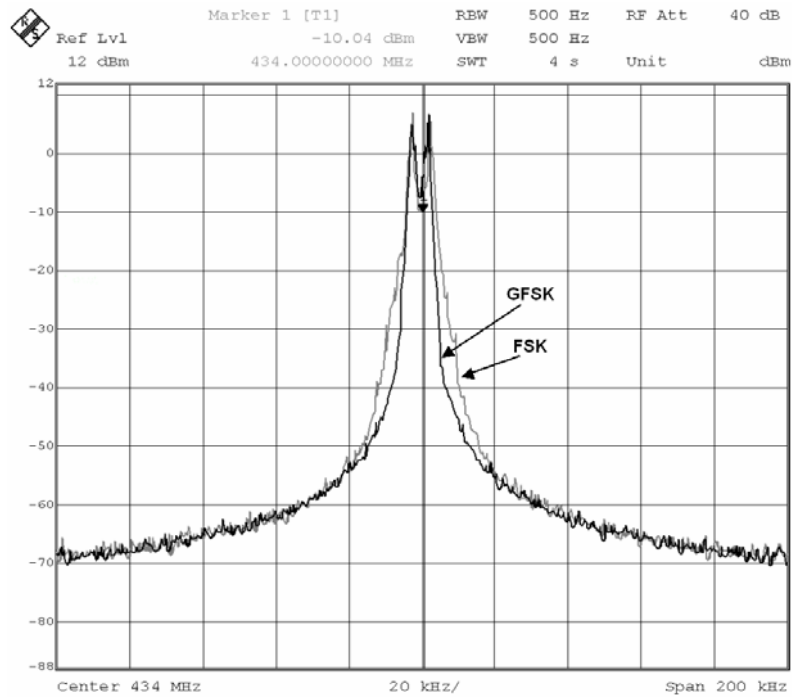


Figure 20. FSK vs. GFSK spectrum plot. 2.4 kBaud, NRZ, ± 2.025 kHz frequency deviation

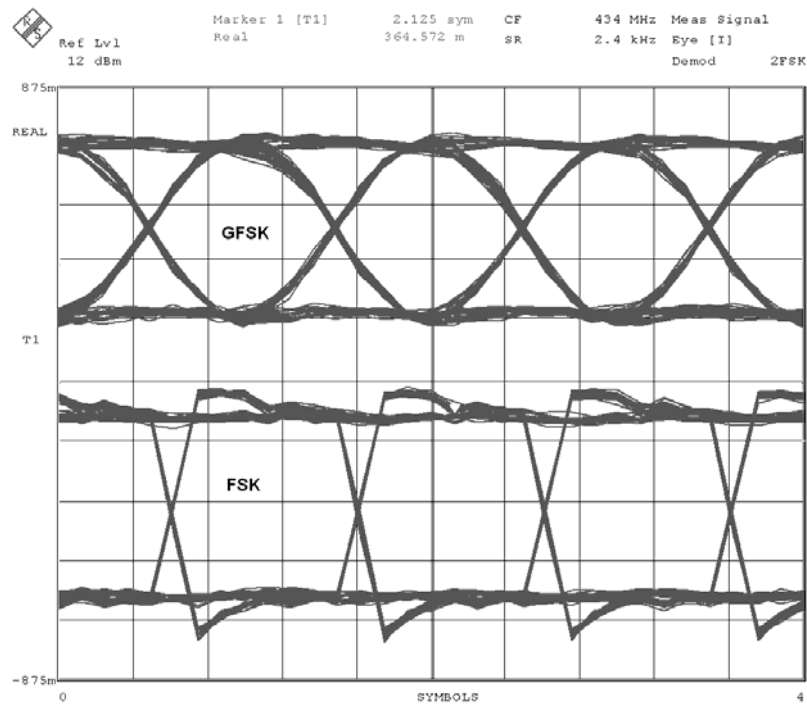


Figure 21. FSK vs. GFSK eye diagram. 2.4 kBaud, NRZ, ± 2.025 kHz frequency deviation

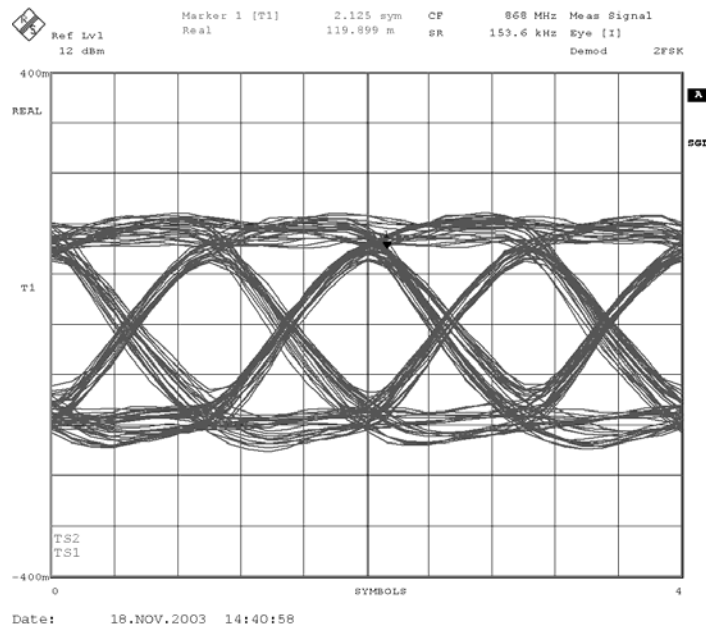


Figure 22. GFSK eye diagram. 153.6 kBaud, NRZ, ± 79.2 kHz frequency deviation

13.2. Output Power Programming

The RF output power from the device is programmable by the 8-bit *PA_POWER* register. Figure 23 and Figure 24 shows the output power and total current consumption as a function of the *PA_POWER* register setting. It is more efficient in terms of current consumption to

use either the lower or upper 4-bits in the register to control the power, as shown in the figures. However, the output power can be controlled in finer steps using all the available bits in the *PA_POWER* register.

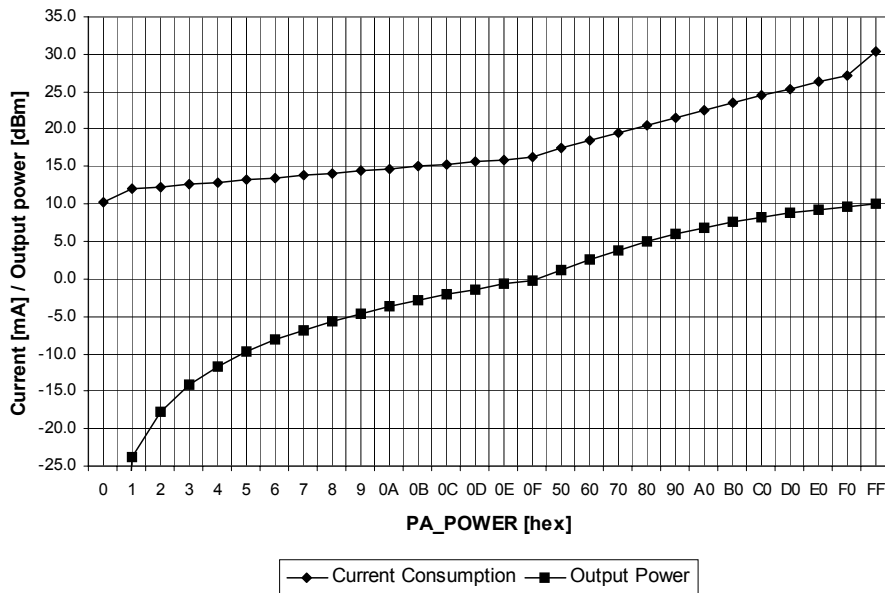


Figure 23. Typical output power and current consumption, 433 MHz

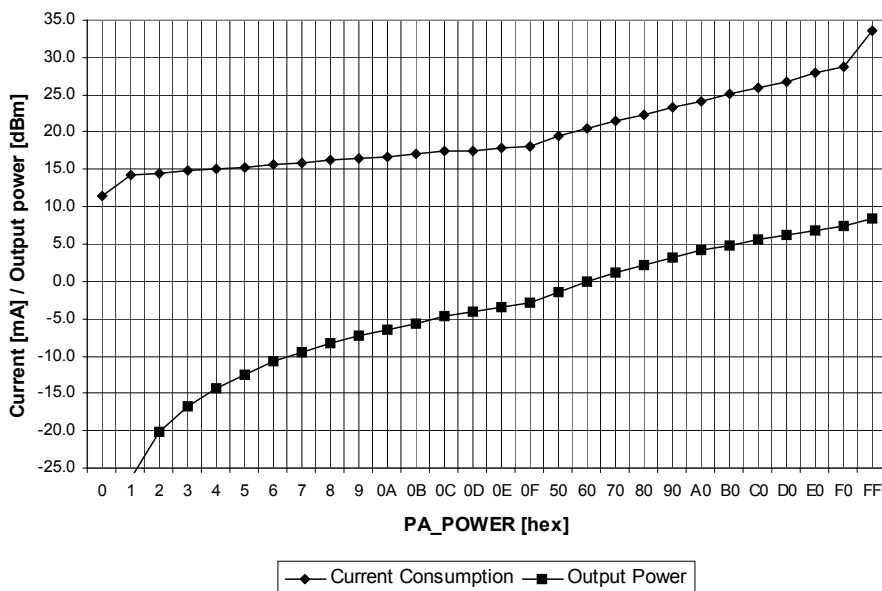


Figure 24. Typical output power and current consumption, 868 MHz

13.3. TX Data Latency

The transmitter will add a delay due to the synchronization of the data with DCLK and further clocking into the modulator. The user should therefore add a delay

equivalent to at least 2 bits after the data payload has been transmitted before switching off the PA (i.e. before stopping the transmission).

13.4. Reducing Spurious Emission and Modulation Bandwidth

Modulation bandwidth and spurious emission are normally measured with the PA continuously on and a repeated test sequence.

In cases where the modulation bandwidth and spurious emission are measured with the **CC1020** switching from power down mode to TX mode, a **PA ramping** sequence could be used to minimize modulation bandwidth and spurious emission.

PA ramping should then be used both when switching the PA on and off. A linear PA ramping sequence can be used where register PA_POWER is changed from 00h to 0Fh and then from 50h to the register setting that gives the desired output power (e.g. F0h for +10 dBm output power at 433 MHz operation). The longer the time per PA ramping step the better, but setting the total PA ramping time equal to 2 bit periods is a good compromise between performance and PA ramping time.

14. Input / Output Matching and Filtering

When designing the impedance matching network for the **CC1020** the circuit must be matched correctly at the harmonic frequencies as well as at the fundamental tone. A recommended matching network is shown in Figure 25. Component values for various frequencies are given in Table 21. Component values for other frequencies can be found using the SmartRF[®] Studio software.

As can be seen from Figure 25 and Table 21, the 433 MHz network utilizes a T-type filter, while the 868/915 MHz network has a π -type filter topology.

It is important to remember that the physical layout and the components used contribute significantly to the reflection coefficient, especially at the higher harmonics. For this reason, the frequency response of the matching network should

be measured and compared to the response of the Chipcon reference design. Refer to Figure 27 and Table 22 as well as Figure 28 and Table 23.

The use of an external T/R switch reduces current consumption in TX for high output power levels and improves the sensitivity in RX. A recommended application circuit is available from the Chipcon web site (CC1020EMX). The external T/R switch can be omitted in certain applications, but performance will then be degraded.

The match can also be tuned by a shunt capacitor array at the PA output (RF_OUT). The capacitance can be set in 0.4 pF steps and used either in RX mode or TX mode. The `RX_MATCH[3:0]` and `TX_MATCH[3:0]` bits in the `MATCH` register control the capacitor array.

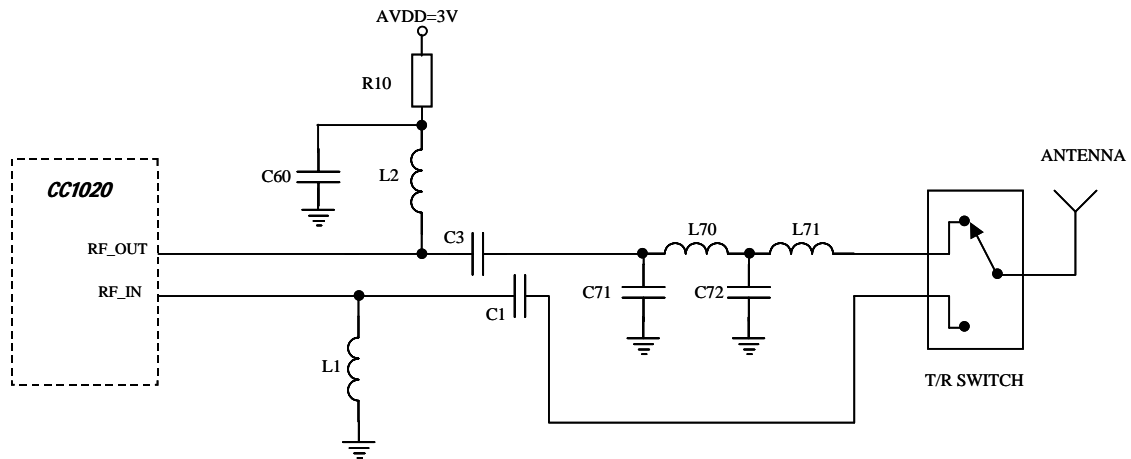


Figure 25. Input/output matching network

| Item | 433 MHz | 868 MHz | 915 MHz |
|------|------------------------|---------------------------|---------------------------|
| C1 | 10 pF, 5%, NP0, 0402 | 47 pF, 5%, NP0, 0402 | 47 pF, 5%, NP0, 0402 |
| C3 | 5.6 pF, 5%, NP0, 0402 | 10 pF, 5%, NP0, 0402 | 10 pF, 5%, NP0, 0402 |
| C60 | 220 pF, 5%, NP0, 0402 | 220 pF, 5%, NP0, 0402 | 220 pF, 5%, NP0, 0402 |
| C71 | DNM | 8.2 pF 5%, NP0, 0402 | 8.2 pF 5%, NP0, 0402 |
| C72 | 4.7 pF, 5%, NP0, 0402 | 8.2 pF 5%, NP0, 0402 | 8.2 pF 5%, NP0, 0402 |
| L1 | 33 nH, 5%, 0402 | 82 nH, 5%, 0402 | 82 nH, 5%, 0402 |
| L2 | 22 nH, 5%, 0402 | 3.6 nH, 5%, 0402 | 3.6 nH, 5%, 0402 |
| L70 | 47 nH, 5%, 0402 | 5.1 nH, 5%, 0402 | 5.1 nH, 5%, 0402 |
| L71 | 39 nH, 5%, 0402 | 0 Ω resistor, 0402 | 0 Ω resistor, 0402 |
| R10 | 82 Ω , 5%, 0402 | 82 Ω , 5%, 0402 | 82 Ω , 5%, 0402 |

Table 21. Component values for the matching network described in Figure 25 (DNM = Do Not Mount).

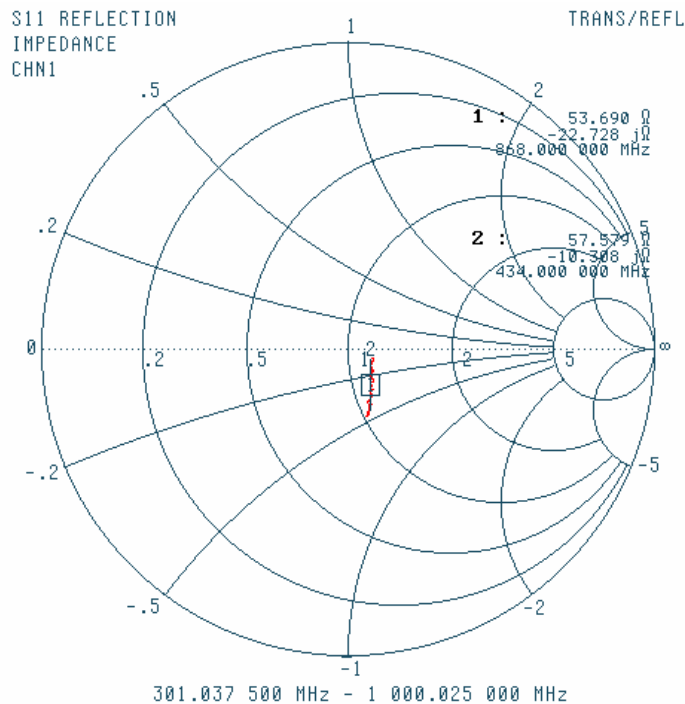


Figure 26. Typical LNA input impedance, 200 – 1000 MHz

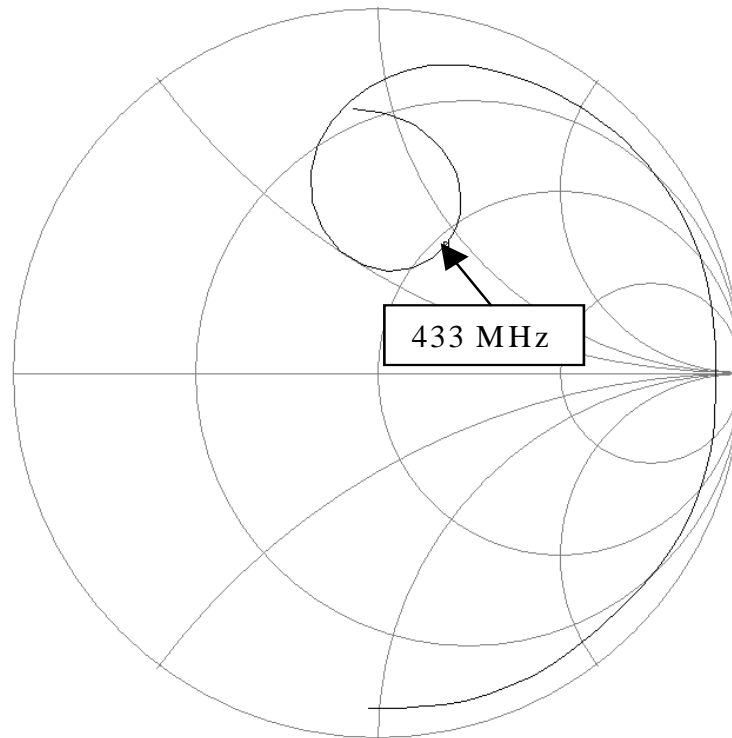


Figure 27. Typical optimum PA load impedance, 433 MHz. The frequency is swept from 300 MHz to 2500 MHz. Values are listed in Table 22

| Frequency (MHz) | Real (Ohms) | Imaginary (Ohms) |
|-----------------|-------------|------------------|
| 433 | 54 | 44 |
| 866 | 20 | 173 |
| 1299 | 288 | -563 |
| 1732 | 14 | -123 |
| 2165 | 5 | -66 |

Table 22. Impedances at the first 5 harmonics (433 MHz matching network)

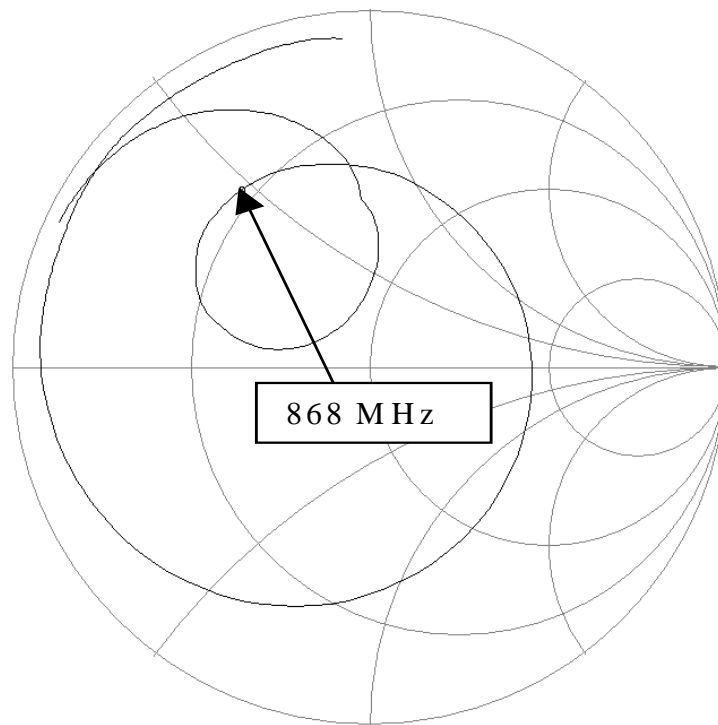


Figure 28: Typical optimum PA load impedance, 868/915 MHz. The frequency is swept from 300 MHz to 2800 MHz. Values are listed in Table 23

| Frequency (MHz) | Real (Ohms) | Imaginary (Ohms) |
|-----------------|-------------|------------------|
| 868 | 15 | 24 |
| 915 | 20 | 35 |
| 1736 | 1.5 | 18 |
| 1830 | 1.7 | 22 |
| 2604 | 3.2 | 44 |
| 2745 | 3.6 | 45 |

Table 23. Impedances at the first 3 harmonics (868/915 MHz matching network)

15. Frequency Synthesizer

15.1. VCO, Charge Pump and PLL Loop Filter

The VCO is completely integrated and operates in the 1608 – 1880 MHz range. A frequency divider is used to get a frequency in the UHF range (402 – 470 and 804 – 940 MHz). The *BANDSELECT* bit in the *ANALOG* register selects the frequency band.

The VCO frequency is given by:

$$f_{VCO} = f_{ref} \cdot \left(3 + \frac{FREQ + 0.5 \cdot DITHER}{8192} \right)$$

The VCO frequency is divided by 2 and by 4 to generate frequencies in the two bands, respectively.

The VCO sensitivity (sometimes referred to as VCO gain) varies over frequency and operating conditions. Typically the VCO sensitivity varies between 12 and 36 MHz/V. For calculations the geometrical mean at 21 MHz/V can be used. The PLL calibration (explained below) measures the actual VCO sensitivity and adjusts the charge pump current accordingly to achieve correct PLL loop gain and bandwidth (higher charge pump current when VCO sensitivity is lower).

The following equations can be used for calculating PLL loop filter component values, see Figure 3, for a desired PLL loop bandwidth, BW:

$$\begin{aligned} C7 &= 3037 (f_{ref} / BW^2) - 7 && [\text{pF}] \\ R2 &= 7126 (BW / f_{ref}) && [\text{k}\Omega] \\ C6 &= 80.75 (f_{ref} / BW^2) && [\text{nF}] \\ R3 &= 21823 (BW / f_{ref}) && [\text{k}\Omega] \\ C8 &= 839 (f_{ref} / BW^2) - 6 && [\text{pF}] \end{aligned}$$

Define a minimum PLL loop bandwidth as $BW_{min} = \sqrt{80.75 \cdot f_{ref} / 220}$. If $BW_{min} >$ Baud rate/3 then set $BW = BW_{min}$ and if $BW_{min} <$ Baud rate/3 then set $BW = \text{Baud rate}/3$ in the above equations.

There are two special cases when using the recommended 14.7456 MHz crystal:

1) If the data rate is 4.8 kBaud or below and the channel spacing is 12.5 kHz the following loop filter components are recommended:

$$\begin{aligned} C6 &= 220 \text{ nF} \\ C7 &= 8200 \text{ pF} \\ C8 &= 2200 \text{ pF} \\ R2 &= 1.5 \text{ k}\Omega \\ R3 &= 4.7 \text{ k}\Omega \end{aligned}$$

2) If the data rate is 4.8 kBaud or below and the channel spacing is different from 12.5 kHz the following loop filter components are recommended:

$$\begin{aligned} C6 &= 100 \text{ nF} \\ C7 &= 3900 \text{ pF} \\ C8 &= 1000 \text{ pF} \\ R2 &= 2.2 \text{ k}\Omega \\ R3 &= 6.8 \text{ k}\Omega \end{aligned}$$

After calibration the PLL bandwidth is set by the *PLL_BW* register in combination with the external loop filter components calculated above. The *PLL_BW* can be found from

$$PLL_BW = 174 + 16 \log_2(f_{ref} / 7.126)$$

where f_{ref} is the reference frequency (in MHz). The PLL loop filter bandwidth increases with increasing *PLL_BW* setting. Note that in SmartRF® Studio *PLL_BW* is fixed to 9E hex when the channel spacing is set up for 12.5 kHz, optimized selectivity.

After calibration the applied charge pump current (*CHP_CURRENT[3:0]*) can be read in the *STATUS1* register. The charge pump current is approximately given by:

$$I_{CHP} = 16 \cdot 2^{CHP_CURRENT / 4} [\mu\text{A}]$$

The combined charge pump and phase detector gain (in A/rad) is given by the charge pump current divided by 2π .

The PLL bandwidth will limit the maximum modulation frequency and hence data rate.

15.2. VCO and PLL Self-Calibration

To compensate for supply voltage, temperature and process variations, the VCO and PLL must be calibrated. The calibration is performed automatically and sets the maximum VCO tuning range and optimum charge pump current for PLL stability. After setting up the device at the operating frequency, the self-calibration can be initiated by setting the *CAL_START* bit in the *CALIBRATE* register. The calibration result is stored internally in the chip, and is valid as long as power is not turned off. If large supply voltage drops (typically more than 0.25 V) or temperature variations (typically more than 40°C) occur after calibration, a new calibration should be performed.

The nominal VCO control voltage is set by the *CAL_ITERATE[2:0]* bits in the *CALIBRATE* register.

The *CAL_COMPLETE* bit in the *STATUS* register indicates that calibration has finished. The calibration wait time (*CAL_WAIT*) is programmable and is proportional to the internal PLL reference frequency. The highest possible reference frequency should be used to get the minimum calibration time. It is recommended to use *CAL_WAIT[1:0] = 11* in order to get the most accurate loop bandwidth.

| Calibration time [ms] | Reference frequency [MHz] | | |
|-----------------------|---------------------------|--------|--------|
| | 1.8432 | 7.3728 | 9.8304 |
| 00 | 49 ms | 12 ms | 10 ms |
| 01 | 60 ms | 15 ms | 11 ms |
| 10 | 71 ms | 18 ms | 13 ms |
| 11 | 109 ms | 27 ms | 20 ms |

Table 24. Typical calibration times

The *CAL_COMPLETE* bit can also be monitored at the LOCK pin, configured by *LOCK_SELECT[3:0] = 0101*, and used as an interrupt input to the microcontroller.

To check that the PLL is in lock the user should monitor the *LOCK_CONTINUOUS* bit in the *STATUS* register. The *LOCK_CONTINUOUS* bit can also be monitored at the LOCK pin, configured by *LOCK_SELECT[3:0] = 0010*.

There are separate calibration values for the two frequency registers. However, dual calibration is possible if all of the below conditions apply:

- The two frequencies A and B differ by less than 1 MHz
- Reference frequencies are equal (*REF_DIV_A[2:0] = REF_DIV_B[2:0]* in the *CLOCK_A/CLOCK_B* registers)
- VCO currents are equal (*VCO_CURRENT_A[3:0] = VCO_CURRENT_B[3:0]* in the *VCO* register).

The *CAL_DUAL* bit in the *CALIBRATE* register controls dual or separate calibration.

The single calibration algorithm (*CAL_DUAL=0*) using separate calibration for RX and TX frequency is illustrated in Figure 29. The same algorithm is applicable for dual calibration if *CAL_DUAL=1*. Application Note AN023 *CC1020 MCU Interfacing*, available from the Chipcon web site, includes example source code for single calibration.

Chipcon recommends that single calibration be used for more robust operation.

There is a small, but finite, possibility that the PLL self-calibration will fail. The calibration routine in the source code should include a loop so that the PLL is re-calibrated until PLL lock is achieved if the PLL does not lock the first time. Refer to *CC1020* Errata Note 004.

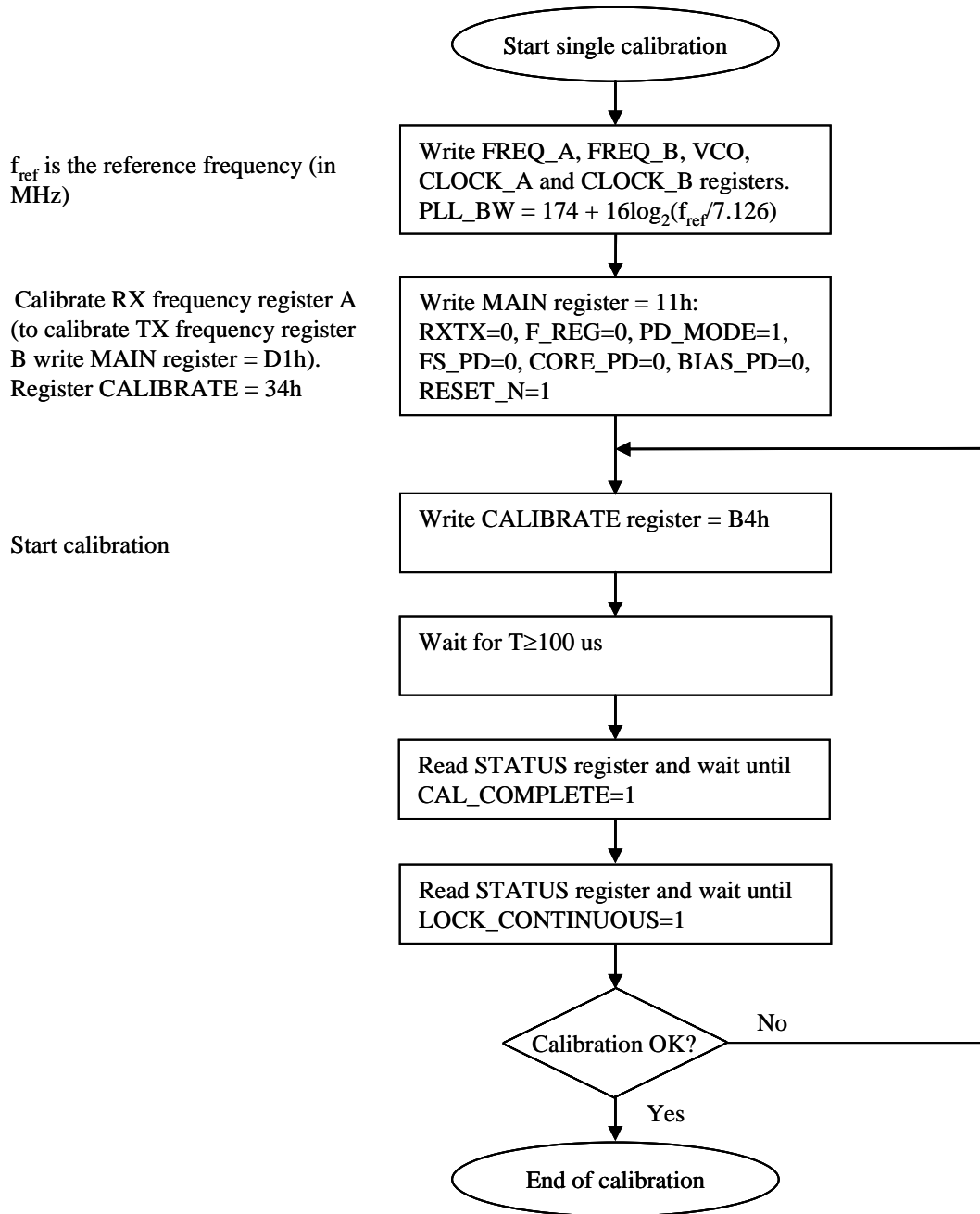


Figure 29. Single calibration algorithm for RX and TX

15.3. PLL Turn-on Time versus Loop Filter Bandwidth

If calibration has been performed the PLL turn-on time is the time needed for the PLL to lock to the desired frequency when going from power down mode (with the crystal oscillator running) to TX or RX

mode. The PLL turn-on time depends on the PLL loop filter bandwidth. Table 25 gives the PLL turn-on time for different PLL loop filter bandwidths.

| C6 [nF] | C7 [pF] | C8 [pF] | R2 [kΩ] | R3 [kΩ] | PLL turn-on time [us] | Comment |
|---------|---------|---------|---------|---------|-----------------------|--|
| 220 | 8200 | 2200 | 1.5 | 4.7 | 3200 | Up to 4.8 kBaud data rate, 12.5 kHz channel spacing |
| 100 | 3900 | 1000 | 2.2 | 6.8 | 2500 | Up to 4.8 kBaud data rate, 25 kHz channel spacing |
| 56 | 2200 | 560 | 3.3 | 10 | 1400 | Up to 9.6 kBaud data rate, 50 kHz channel spacing |
| 15 | 560 | 150 | 5.6 | 18 | 1300 | Up to 19.2 kBaud data rate, 100 kHz channel spacing |
| 3.9 | 120 | 33 | 12 | 39 | 1080 | Up to 38.4 kBaud data rate, 150 kHz channel spacing |
| 1.0 | 27 | 3.3 | 27 | 82 | 950 | Up to 76.8 kBaud data rate, 200 kHz channel spacing |
| 0.2 | 1.5 | - | 47 | 150 | 700 | Up to 153.6 kBaud data rate, 500 kHz channel spacing |

Table 25. Typical PLL turn-on time to within ±10% of channel spacing for different loop filter bandwidths

15.4. PLL Lock Time versus Loop Filter Bandwidth

If calibration has been performed the PLL lock time is the time needed for the PLL to lock to the desired frequency when going from RX to TX mode or vice versa. The

PLL lock time depends on the PLL loop filter bandwidth. Table 26 gives the PLL lock time for different PLL loop filter bandwidths.

| C6 [nF] | C7 [pF] | C8 [pF] | R2 [kΩ] | R3 [kΩ] | PLL lock time [us] | | | Comment |
|---------|---------|---------|---------|---------|--------------------|-----|------|--|
| | | | | | 1 | 2 | 3 | |
| 220 | 8200 | 2200 | 1.5 | 4.7 | 900 | 180 | 1300 | Up to 4.8 kBaud data rate, 12.5 kHz channel spacing |
| 100 | 3900 | 1000 | 2.2 | 6.8 | 640 | 270 | 830 | Up to 4.8 kBaud data rate, 25 kHz channel spacing |
| 56 | 2200 | 560 | 3.3 | 10 | 400 | 140 | 490 | Up to 9.6 kBaud data rate, 50 kHz channel spacing |
| 15 | 560 | 150 | 5.6 | 18 | 140 | 70 | 230 | Up to 19.2 kBaud data rate, 100 kHz channel spacing |
| 3.9 | 120 | 33 | 12 | 39 | 75 | 50 | 180 | Up to 38.4 kBaud data rate, 150 kHz channel spacing |
| 1.0 | 27 | 3.3 | 27 | 82 | 30 | 15 | 55 | Up to 76.8 kBaud data rate, 200 kHz channel spacing |
| 0.2 | 1.5 | - | 47 | 150 | 14 | 14 | 28 | Up to 153.6 kBaud data rate, 500 kHz channel spacing |

Table 26. Typical PLL lock time to within ±10% of channel spacing for different loop filter bandwidths. 1) 307.2 kHz step, 2) 1 channel step, 3) 1 MHz step

16. VCO and LNA Current Control

The VCO current is programmable and should be set according to operating frequency, RX/TX mode and output power. Recommended settings for the VCO_CURRENT bits in the VCO register are shown in the register overview and also given by SmartRF® Studio. The VCO current for frequency *FREQ_A* and

FREQ_B can be programmed independently.

The bias currents for the LNA, mixer and the LO and PA buffers are also programmable. The *FRONTEND* and the *BUFF_CURRENT* registers control these currents.

17. Power Management

CC1020 offers great flexibility for power management in order to meet strict power consumption requirements in battery-operated applications. Power down mode is controlled through the *MAIN* register. There are separate bits to control the RX part, the TX part, the frequency synthesizer and the crystal oscillator in the *MAIN* register. This individual control can be used to optimize for lowest possible current consumption in each application. Figure 30 shows a typical power-on and initializing sequence for minimum power consumption.

Figure 31 shows a typical sequence for activating RX and TX mode from power down mode for minimum power consumption.

Note that PSEL should be tri-stated or set to a high level during power down mode in order to prevent a trickle current from flowing in the internal pull-up resistor.

Application Note *AN023 CC1020 MCU Interfacing* includes example source code and is available from the Chipcon web site.

Chipcon recommends resetting the **CC1020** (by clearing the *RESET_N* bit in the *MAIN* register) when the chip is powered up initially. All registers that need to be configured should then be programmed (those which differ from their default values). Registers can be programmed freely in any order. The **CC1020** should

then be calibrated in both RX and TX mode. After this is completed, the **CC1020** is ready for use. See the detailed procedure flowcharts in Figure 29 – Figure 31.

With reference to Application Note *AN023 CC1020 MCU Interfacing* Chipcon recommends the following sequence:

After power up:

- 1) ResetCC1020
- 2) Initialize
- 3) WakeUpCC1020ToRX
- 4) Calibrate
- 5) WakeUpCC1020ToTX
- 6) Calibrate

After calibration is completed, enter TX mode (SetupCC1020TX), RX mode (SetupCC1020RX) or power down mode (SetupCC1020PD)

From power-down mode to RX:

- 1) WakeUpCC1020ToRX
- 2) SetupCC1020RX

From power-down mode to TX:

- 1) WakeUpCC1020ToTX
- 2) SetupCC1020TX

Switching from RX to TX mode:

- 1) SetupCC1020TX

Switching from TX to RX mode:

- 1) SetupCC1020RX

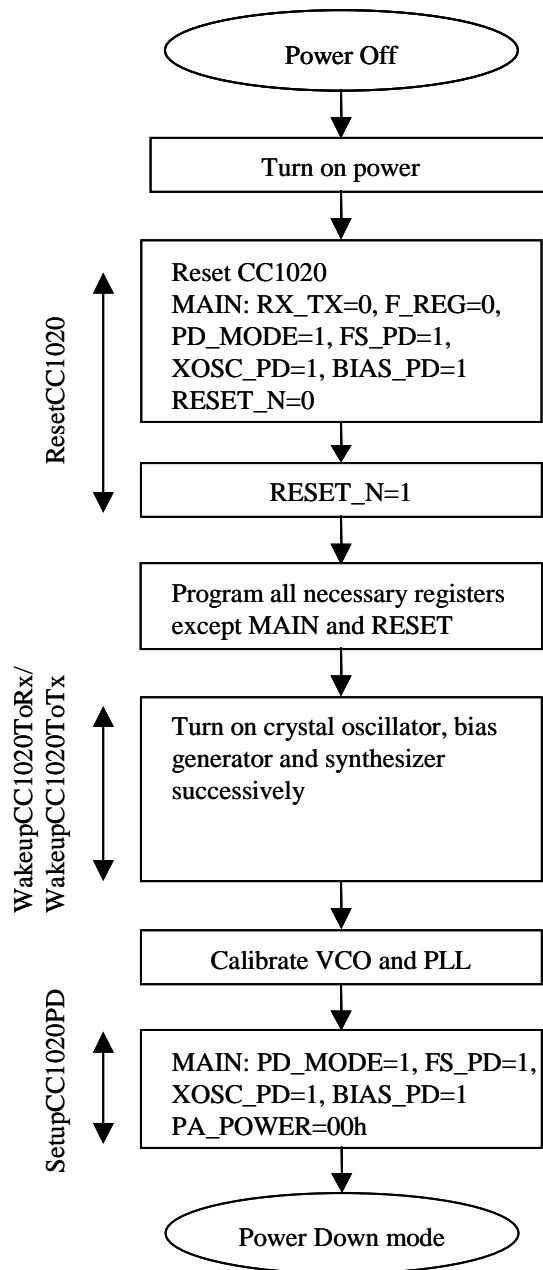


Figure 30. Initialising sequence

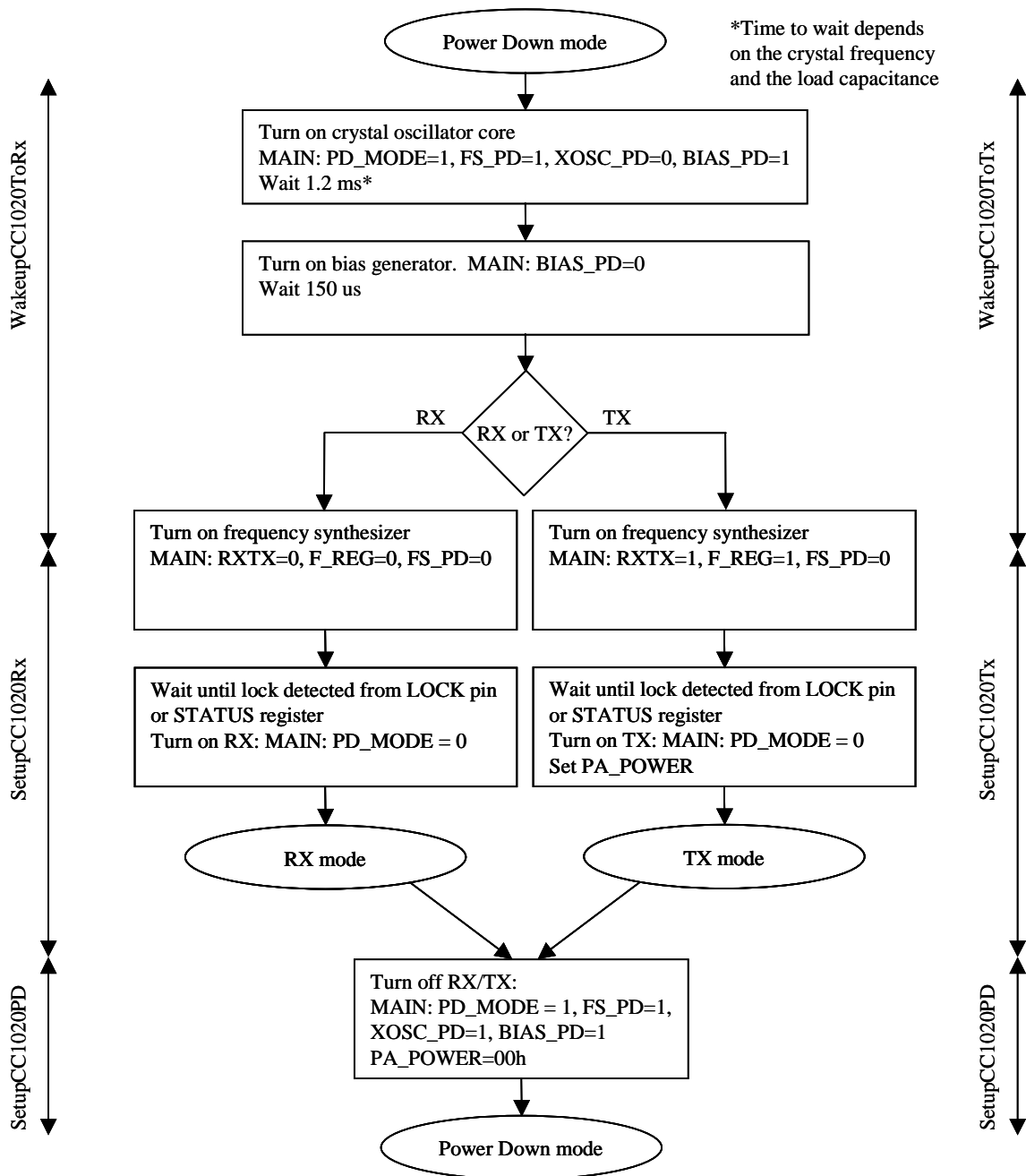


Figure 31. Sequence for activating RX or TX mode

18. On-Off Keying (OOK)

The data modulator can also provide OOK (On-Off Keying) modulation. OOK is an ASK (Amplitude Shift Keying) modulation using 100% modulation depth. OOK modulation is enabled in RX and in TX by setting $TXDEV_M[3:0] = 0000$ in the *DEVIATION* register. An OOK eye diagram is shown in Figure 32.

The data demodulator can also perform OOK demodulation. The demodulation is done by comparing the signal level with the “carrier sense” level (programmed as *CS_LEVEL* in the *VGA4* register). The signal is then decimated and filtered in the data filter. Data decision and bit synchronization are as for FSK reception.

In this mode *AGC_AVG* in the *VGA2* register must be set to 3. The channel bandwidth must be 4 times the Baud rate for data rates up to 9.6 kBaud. For the highest data rates the channel bandwidth

must be 2 times the Baud rate (see Table 27). Manchester coding must always be used for OOK.

Note that the automatic frequency control (AFC) cannot be used when receiving OOK, as it requires a frequency shift.

The AGC has a certain time-constant determined by *FILTER_CLK*, which depends on the IF filter bandwidth. There is a lower limit on *FILTER_CLK* and hence the AGC time constant. For very low data rates the minimum time constant is too fast and the AGC will increase the gain when a “0” is received and decrease the gain when a “1” is received. For this reason the minimum data rate in OOK is 2.4 kBaud.

Typical figures for the receiver sensitivity ($BER = 10^{-3}$) are shown in Table 27 for OOK.

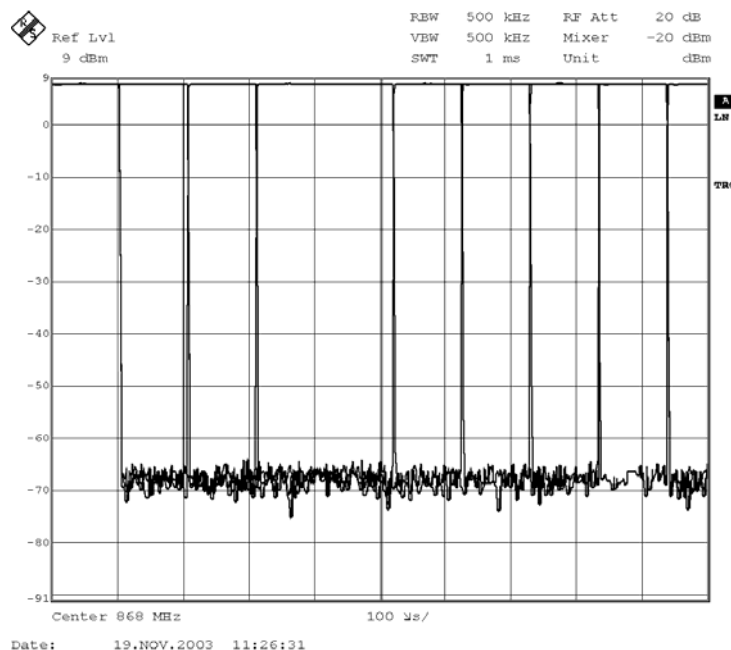


Figure 32. OOK eye diagram. 9.6 kBaud

| Data rate [kBaud] | Filter BW [kHz] | Sensitivity [dBm] | |
|-------------------|-----------------|-------------------------|-------------------------|
| | | 433 MHz Manchester mode | 868 MHz Manchester mode |
| 2.4 | 9.6 | -116 | |
| 4.8 | 19.2 | -113 | -107 |
| 9.6 | 38.4 | -103 | -104 |
| 19.2 | 51.2 | -102 | -101 |
| 38.4 | 102.4 | -95 | -97 |
| 76.8 | 153.6 | -92 | -94 |
| 153.6 | 307.2 | -81 | -87 |

Table 27. Typical receiver sensitivity as a function of data rate at 433 and 868 MHz, OOK modulation, BER = 10⁻³, pseudo-random data (PN9 sequence)

19. Crystal Oscillator

The recommended crystal frequency is 14.7456 MHz, but any crystal frequency in the range 4 – 20 MHz can be used. Using a crystal frequency different from 14.7456 MHz might in some applications give degraded performance. Refer to Application Note AN022 *Crystal Frequency Selection* for more details on the use of other crystal frequencies than 14.7456 MHz. The crystal frequency is used as reference for the data rate (as well as other internal functions) and in the 4 – 20 MHz range the frequencies 4.9152, 7.3728, 9.8304, 12.2880, 14.7456, 17.2032, 19.6608 MHz will give accurate data rates as shown in Table 17 and an IF frequency of 307.2 kHz. The crystal frequency will influence the programming of the *CLOCK_A*, *CLOCK_B* and *MODEM* registers.

An external clock signal or the internal crystal oscillator can be used as main frequency reference. An external clock signal should be connected to XOSC_Q1, while XOSC_Q2 should be left open. The XOSC_BYPASS bit in the *INTERFACE* register should be set to '1' when an external digital rail-to-rail clock signal is used. No DC block should be used then. A sine with smaller amplitude can also be used. A DC blocking capacitor must then be used (10 nF) and the XOSC_BYPASS bit in the *INTERFACE* register should be set to '0'. For input signal amplitude, see section 4.5 on page 12.

Using the internal crystal oscillator, the crystal must be connected between the XOSC_Q1 and XOSC_Q2 pins. The oscillator is designed for parallel mode

operation of the crystal. In addition, loading capacitors (C4 and C5) for the crystal are required. The loading capacitor values depend on the total load capacitance, C_L, specified for the crystal. The total load capacitance seen between the crystal terminals should equal C_L for the crystal to oscillate at the specified frequency.

$$C_L = \frac{1}{\frac{1}{C_4} + \frac{1}{C_5}} + C_{parasitic}$$

The parasitic capacitance is constituted by pin input capacitance and PCB stray capacitance. Total parasitic capacitance is typically 8 pF. A trimming capacitor may be placed across C5 for initial tuning if necessary.

The crystal oscillator circuit is shown in Figure 33. Typical component values for different values of C_L are given in Table 28.

The crystal oscillator is amplitude regulated. This means that a high current is required to initiate the oscillations. When the amplitude builds up, the current is reduced to what is necessary to maintain approximately 600 mVpp amplitude. This ensures a fast start-up, keeps the drive level to a minimum and makes the oscillator insensitive to ESR variations. As long as the recommended load capacitance values are used, the ESR is not critical.

The initial tolerance, temperature drift, aging and load pulling should be carefully specified in order to meet the required frequency accuracy in a certain application. By specifying the *total* expected frequency accuracy in SmartRF® Studio together with data rate and

frequency separation, the software will estimate the total bandwidth and compare to the available receiver channel filter bandwidth. The software will report any contradictions and a more accurate crystal will be recommended if required.

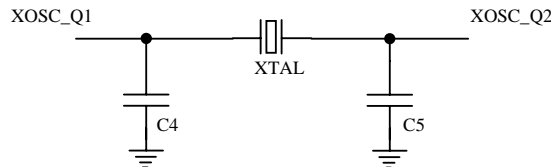


Figure 33. Crystal oscillator circuit

| Item | C _L = 12 pF | C _L = 16 pF | C _L = 22 pF |
|------|------------------------|------------------------|------------------------|
| C4 | 6.8 pF | 15 pF | 27 pF |
| C5 | 6.8 pF | 15 pF | 27 pF |

Table 28. Crystal oscillator component values

20. Built-in Test Pattern Generator

The *CC1020* has a built-in test pattern generator that generates a PN9 pseudo random sequence. The *PN9_ENABLE* bit in the *MODEM* register enables the PN9 generator. A transition on the DIO pin is required after enabling the PN9 pseudo random sequence.

The PN9 pseudo random sequence is defined by the polynomial $x^9 + x^5 + 1$.

The PN9 sequence is 'XOR'ed with the DIO signal in both TX and RX mode as shown in Figure 34. Hence, by transmitting only zeros (DIO = 0), the BER (Bit Error Rate) can be tested by counting the

number of received ones. Note that the 9 first received bits should be discarded in this case. Also note that one bit error will generate 3 received ones.

Transmitting only ones (DIO = 1), the BER can be tested by counting the number of received zeroes.

The PN9 generator can also be used for transmission of 'real-life' data when measuring narrowband ACP (Adjacent Channel Power), modulation bandwidth or occupied bandwidth.

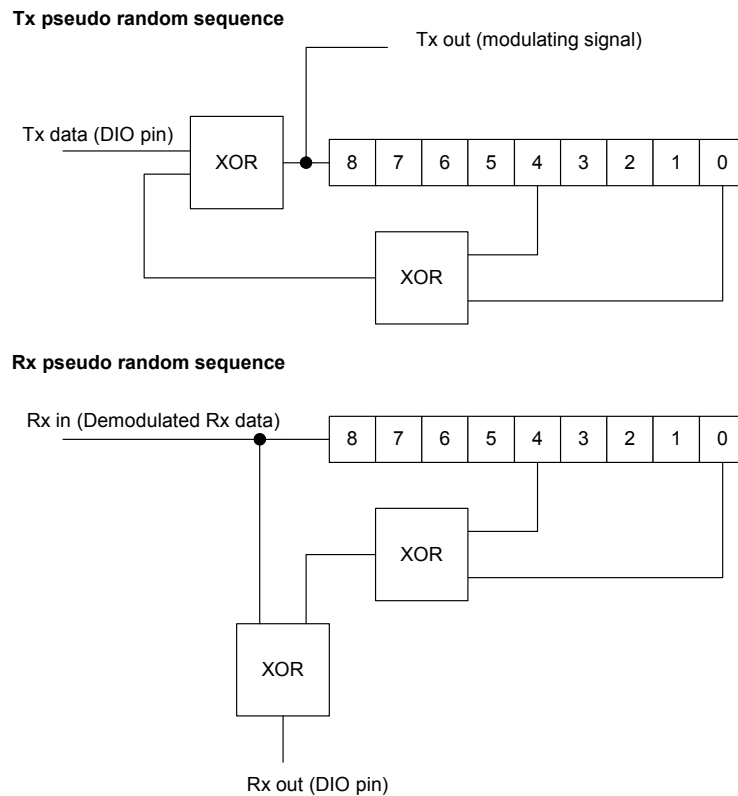


Figure 34. PN9 pseudo random sequence generator in TX and RX mode

21. Interrupt on Pin DCLK

21.1. Interrupt upon PLL Lock

In synchronous mode the DCLK pin on *CC1020* can be used to give an interrupt signal to wake the microcontroller when the PLL is locked.

PD_MODE[1:0] in the *MAIN* register should be set to 01. If *DCLK_LOCK* in the *INTERFACE* register is set to 1 the DCLK signal is always logic high if the PLL is not in lock. When the PLL locks to the desired frequency the DCLK signal changes to

logic 0. When this interrupt has been detected write *PD_MODE[1:0] = 00*. This will enable the DCLK signal.

This function can be used to wait for the PLL to be locked before the PA is ramped up in transmit mode. In receive mode, it can be used to wait until the PLL is locked before searching for preamble.

21.2. Interrupt upon Received Signal Carrier Sense

In synchronous mode the DCLK pin on *CC1020* can also be used to give an interrupt signal to the microcontroller when the RSSI level exceeds a certain threshold (carrier sense threshold). This function can be used to wake or interrupt the

microcontroller when a strong signal is received.

Gating the DCLK signal with the carrier sense signal makes the interrupt signal.

This function should only be used in receive mode and is enabled by setting *DCLK_CS* = 1 in the *INTERFACE* register.

The DCLK signal is always logic high unless carrier sense is indicated. When carrier sense is indicated the DCLK starts running. When gating the DCLK signal with the carrier sense signal at least 2 dummy bits should be added after the data payload in TX mode. The reason being

that the carrier sense signal is generated earlier in the receive chain (i.e. before the demodulator), causing it to be updated 2 bits before the corresponding data is available on the DIO pin.

In transmit mode *DCLK_CS* must be set to 0. Refer to *CC1020* Errata Note 002.

22. PA_EN and LNA_EN Digital Output Pins

22.1. Interfacing an External LNA or PA

CC1020 has two digital output pins, *PA_EN* and *LNA_EN*, which can be used to control an external LNA or PA. The functionality of these pins are controlled through the *INTERFACE* register. The outputs can also be used as general digital output control signals.

EXT_PA_POL and *EXT_LNA_POL* control the active polarity of the signals.

EXT_PA and *EXT_LNA* control the function of the pins. If *EXT_PA* = 1, then the *PA_EN* pin will be activated when the

internal PA is turned on. Otherwise, the *EXT_PA_POL* bit controls the *PA_EN* pin directly. If *EXT_LNA* = 1, then the *LNA_EN* pin will be activated when the internal LNA is turned on. Otherwise, the *EXT_LNA_POL* bit controls the *LNA_EN* pin directly.

These two pins can therefore also be used as two general control signals, see section 22.2. In the Chipcon reference design *LNA_EN* and *PA_EN* are used to control the external T/R switch.

22.2. General Purpose Output Control Pins

The two digital output pins, *PA_EN* and *LNA_EN*, can be used as two general control signals by setting *EXT_PA* = 0 and *EXT_LNA* = 0. The output value is then set directly by the value written to *EXT_PA_POL* and *EXT_LNA_POL*.

The LOCK pin can also be used as a general-purpose output pin. The LOCK pin

is controlled by *LOCK_SELECT[3:0]* in the *LOCK* register. The LOCK pin is low when *LOCK_SELECT[3:0]* = 0000, and high when *LOCK_SELECT[3:0]* = 0001.

These features can be used to save I/O pins on the microcontroller when the other functions associated with these pins are not used.

22.3. PA_EN and LNA_EN Pin Drive

Figure 35 shows the *PA_EN* and *LNA_EN* pin drive currents. The sink and source

currents have opposite signs but absolute values are used in Figure 35.

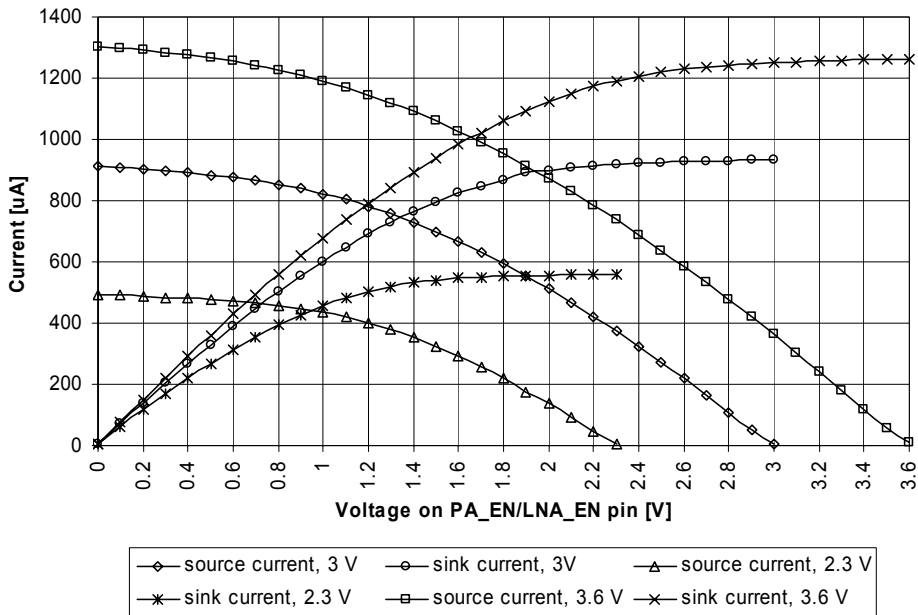


Figure 35. Typical PA_EN and LNA_EN pin drive

23. System Considerations and Guidelines

SRD regulations

International regulations and national laws regulate the use of radio receivers and transmitters. SRDs (Short Range Devices) for license free operation are allowed to operate in the 433 and 868 – 870 MHz bands in most European countries. In the United States, such devices operate in the 260 – 470 and 902 – 928 MHz bands. A summary of the most important aspects of these regulations can be found in Application Note *AN001 SRD regulations for license free transceiver operation*, available from the Chipcon web site.

Narrowband systems

CC1020 is specifically designed for narrowband systems complying with ARIB STD T-67 and EN 300 220. The CC1020 meets the strict requirements to ACP (Adjacent Channel Power) and occupied bandwidth for a narrowband transmitter. To meet the ARIB STD T-67 requirements a 3.0 V regulated voltage supply should be used.

For the receiver side, CC1020 gives very good ACR (Adjacent Channel Rejection), image frequency suppression and blocking

properties for channel spacings down to 12.5 kHz.

Such narrowband performance normally requires the use of external ceramic filters. The CC1020 provides this performance as a true single-chip solution with integrated IF filters.

Japan and Korea have allocated several frequency bands at 424, 426, 429, 447, 449 and 469 MHz for narrowband license free operation. CC1020 is designed to meet the requirements for operation in all these bands, including the strict requirements for narrowband operation down to 12.5 kHz channel spacing.

Due to on-chip complex filtering, the image frequency is removed. An on-chip calibration circuit is used to get the best possible image rejection. A narrowband preselector filter is not necessary to achieve image rejection.

A unique feature in CC1020 is the very fine frequency resolution. This can be used for temperature compensation of the crystal if the temperature drift curve is known and a temperature sensor is included in the

system. Even initial adjustment can be performed using the frequency programmability. This eliminates the need for an expensive TCXO and trimming in some applications. For more details refer to Application Note *AN027 Temperature Compensation* available from the Chipcon web site.

In less demanding applications, a crystal with low temperature drift and low aging could be used without further compensation. A trimmer capacitor in the crystal oscillator circuit (in parallel with C5) could be used to set the initial frequency accurately.

The frequency offset between a transmitter and receiver is measured in the **CC1020** and can be read back from the *AFC* register. The measured frequency offset can be used to calibrate the receiver frequency using the transmitter as the reference. For more details refer to Application Note *AN029 CC1020/1021 AFC* available from the Chipcon web site.

CC1020 also has the possibility to use Gaussian shaped FSK (GFSK). This spectrum-shaping feature improves adjacent channel power (ACP) and occupied bandwidth. In 'true' FSK systems with abrupt frequency shifting, the spectrum is inherently broad. By making the frequency shift 'softer', the spectrum can be made significantly narrower. Thus, higher data rates can be transmitted in the same bandwidth using GFSK.

Low cost systems

As the **CC1020** provides true narrowband multi-channel performance without any external filters, a very low cost high performance system can be achieved. The oscillator crystal can then be a low cost crystal with 50 ppm frequency tolerance using the on-chip frequency tuning possibilities.

Battery operated systems

In low power applications, the power down mode should be used when **CC1020** is not being active. Depending on the start-up time requirement, the oscillator core can be powered during power down. See section 17 on page 54 for information on how effective power management can be implemented.

High reliability systems

Using a SAW filter as a preselector will improve the communication reliability in harsh environments by reducing the probability of blocking. The receiver sensitivity and the output power will be reduced due to the filter insertion loss. By inserting the filter in the RX path only, together with an external RX/TX switch, only the receiver sensitivity is reduced and output power is remained. The PA_EN and LNA_EN pin can be configured to control an external LNA, RX/TX switch or power amplifier. This is controlled by the *INTERFACE* register.

Frequency hopping spread spectrum systems (FHSS)

Due to the very fast locking properties of the PLL, the **CC1020** is also very suitable for frequency hopping systems. Hop rates of 1-100 hops/s are commonly used depending on the bit rate and the amount of data to be sent during each transmission. The two frequency registers (*FREQ_A* and *FREQ_B*) are designed such that the 'next' frequency can be programmed while the 'present' frequency is used. The switching between the two frequencies is done through the *MAIN* register. Several features have been included to do the hopping without a need to re-synchronize the receiver. For more details refer to Application Note *AN014 Frequency Hopping Systems* available from the Chipcon web site.

In order to implement a frequency hopping system with **CC1020** do the following:

Set the desired frequency, calibrate and store the following register settings in non-volatile memory:

```
STATUS1[3:0]: CHP_CURRENT[3:0]
STATUS2[4:0]: VCO_ARRAY[4:0]
STATUS3[5:0]: VCO_CAL_CURRENT[5:0]
```

Repeat the calibration for each desired frequency. *VCO_CAL_CURRENT[5:0]* is not dependent on the RF frequency and the same value can be used for all frequencies.

When performing frequency hopping, write the stored values to the corresponding *TEST1*, *TEST2* and *TEST3* registers, and enable override:

TEST1[3:0]: CHP_CO[3:0]
TEST2[4:0]: VCO_AO[4:0]
TEST2[5]: VCO_OVERRIDE
TEST2[6]: CHP_OVERRIDE
TEST3[5:0]: VCO_CO[5:0]
TEST3[6]: VCO_CAL_OVERRIDE

CHP_CO[3:0] is the register setting read from *CHP_CURRENT[3:0]*, *VCO_AO[4:0]* is the register setting read from *VCO_ARRAY[4:0]* and *VCO_CO[5:0]* is the register setting read from *VCO_CAL_CURRENT[5:0]*.

Assume channel 1 defined by register *FREQ_A* is currently being used and that **CC1020** should operate on channel 2 next (to change channel simply write to register

MAIN[6]). The channel 2 frequency can be set by register *FREQ_B* which can be written to while operating on channel 1. The calibration data must be written to the *TEST1-3* registers after switching to the next frequency. That is, when hopping to a new channel write to register *MAIN[6]* first and the test registers next. The PA should be switched off between each hop and the PLL should be checked for lock before switching the PA back on after a hop has been performed.

Note that the override bits *VCO_OVERRIDE*, *CHP_OVERRIDE* and *VCO_CAL_OVERRIDE* must be disabled when performing a re-calibration.

24. PCB Layout Recommendations

The top layer should be used for signal routing, and the open areas should be filled with metallization connected to ground using several vias.

The area under the chip is used for grounding and must be connected to the bottom ground plane with several vias. In the Chipcon reference designs we have placed 9 vias inside the exposed die attached pad. These vias should be "tented" (covered with solder mask) on the component side of the PCB to avoid migration of solder through the vias during the solder reflow process.

Each decoupling capacitor should be placed as close as possible to the supply pin it is supposed to decouple. Each decoupling capacitor should be connected to the power line (or power plane) by separate vias. The best routing is from the power line (or power plane) to the decoupling capacitor and then to the **CC1020** supply pin. Supply power filtering is

very important, especially for pins 23, 22, 20 and 18.

Each decoupling capacitor ground pad should be connected to the ground plane using a separate via. Direct connections between neighboring power pins will increase noise coupling and should be avoided unless absolutely necessary.

The external components should ideally be as small as possible and surface mount devices are highly recommended.

Precaution should be used when placing the microcontroller in order to avoid noise interfering with the RF circuitry.

A CC1020/1070DK Development Kit with a fully assembled CC1020EMX Evaluation Module is available. It is strongly advised that this reference layout is followed very closely in order to get the best performance. The layout Gerber files are available from the Chipcon web site.

25. Antenna Considerations

CC1020 can be used together with various types of antennas. The most common antennas for short-range communication are monopole, helical and loop antennas.

Monopole antennas are resonant antennas with a length corresponding to one quarter of the electrical wavelength ($\lambda/4$). They are very easy to design and can be implemented simply as a “piece of wire” or even integrated onto the PCB.

Non-resonant monopole antennas shorter than $\lambda/4$ can also be used, but at the expense of range. In size and cost critical applications such an antenna may very well be integrated onto the PCB.

Helical antennas can be thought of as a combination of a monopole and a loop antenna. They are a good compromise in size critical applications. But helical antennas tend to be more difficult to optimize than the simple monopole.

Loop antennas are easy to integrate into the PCB, but are less effective due to

difficult impedance matching because of their very low radiation resistance.

For low power applications the $\lambda/4$ -monopole antenna is recommended due to its simplicity as well as providing the best range.

The length of the $\lambda/4$ -monopole antenna is given by:

$$L = 7125 / f$$

where f is in MHz, giving the length in cm. An antenna for 868 MHz should be 8.2 cm, and 16.4 cm for 433 MHz.

The antenna should be connected as close as possible to the IC. If the antenna is located away from the input pin the antenna should be matched to the feeding transmission line (50 Ω).

For a more thorough background on antennas, please refer to Application Note *AN003 SRD Antennas* available from the Chipcon web site.

26. Configuration Registers

The configuration of *CC1020* is done by programming the 8-bit configuration registers. The configuration data based on selected system parameters are most easily found by using the SmartRF[®] Studio software. Complete descriptions of the registers are given in the following tables. After a RESET is programmed, all the registers have default values. The *TEST* registers also get default values after a

RESET, and should not be altered by the user.

Chipcon recommends using the register settings found using the SmartRF[®] Studio software. These are the register settings that Chipcon can guarantee across temperature, voltage and process. Please check the Chipcon web site for regularly updates to the SmartRF[®] Studio software.

26.1. CC1020 Register Overview

| ADDRESS | Byte Name | Description |
|---------|--------------|--|
| 00h | MAIN | Main control register |
| 01h | INTERFACE | Interface control register |
| 02h | RESET | Digital module reset register |
| 03h | SEQUENCING | Automatic power-up sequencing control register |
| 04h | FREQ_2A | Frequency register 2A |
| 05h | FREQ_1A | Frequency register 1A |
| 06h | FREQ_0A | Frequency register 0A |
| 07h | CLOCK_A | Clock generation register A |
| 08h | FREQ_2B | Frequency register 2B |
| 09h | FREQ_1B | Frequency register 1B |
| 0Ah | FREQ_0B | Frequency register 0B |
| 0Bh | CLOCK_B | Clock generation register B |
| 0Ch | VCO | VCO current control register |
| 0Dh | MODEM | Modem control register |
| 0Eh | DEVIATION | TX frequency deviation register |
| 0Fh | AFC_CONTROL | RX AFC control register |
| 10h | FILTER | Channel filter / RSSI control register |
| 11h | VGA1 | VGA control register 1 |
| 12h | VGA2 | VGA control register 2 |
| 13h | VGA3 | VGA control register 3 |
| 14h | VGA4 | VGA control register 4 |
| 15h | LOCK | Lock control register |
| 16h | FRONTEND | Front end bias current control register |
| 17h | ANALOG | Analog modules control register |
| 18h | BUFF_SWING | LO buffer and prescaler swing control register |
| 19h | BUFF_CURRENT | LO buffer and prescaler bias current control register |
| 1Ah | PLL_BW | PLL loop bandwidth / charge pump current control register |
| 1Bh | CALIBRATE | PLL calibration control register |
| 1Ch | PA_POWER | Power amplifier output power register |
| 1Dh | MATCH | Match capacitor array control register, for RX and TX impedance matching |
| 1Eh | PHASE_COMP | Phase error compensation control register for LO I/Q |
| 1Fh | GAIN_COMP | Gain error compensation control register for mixer I/Q |
| 20h | POWERDOWN | Power-down control register |
| 21h | TEST1 | Test register for overriding PLL calibration |
| 22h | TEST2 | Test register for overriding PLL calibration |
| 23h | TEST3 | Test register for overriding PLL calibration |
| 24h | TEST4 | Test register for charge pump and IF chain testing |
| 25h | TEST5 | Test register for ADC testing |
| 26h | TEST6 | Test register for VGA testing |
| 27h | TEST7 | Test register for VGA testing |
| 40h | STATUS | Status information register (PLL lock, RSSI, calibration ready, etc.) |
| 41h | RESET_DONE | Status register for digital module reset |
| 42h | RSSI | Received signal strength register |
| 43h | AFC | Average received frequency deviation from IF (can be used for AFC) |
| 44h | GAUSS_FILTER | Digital FM demodulator register |
| 45h | STATUS1 | Status of PLL calibration results etc. (test only) |
| 46h | STATUS2 | Status of PLL calibration results etc. (test only) |
| 47h | STATUS3 | Status of PLL calibration results etc. (test only) |
| 48h | STATUS4 | Status of ADC signals (test only) |
| 49h | STATUS5 | Status of channel filter "I" signal (test only) |
| 4Ah | STATUS6 | Status of channel filter "Q" signal (test only) |
| 4Bh | STATUS7 | Status of AGC (test only) |

MAIN Register (00h)

| REGISTER | NAME | Default value | Active | Description |
|-----------|---------------|---------------|--------|---|
| MAIN[7] | RXTX | - | - | RX/TX switch, 0: RX , 1: TX |
| MAIN[6] | F_REG | - | - | Selection of Frequency Register, 0: Register A, 1: Register B |
| MAIN[5:4] | PD_MODE[1 :0] | - | - | Power down mode 0 (00): Receive Chain in power-down in TX, PA in power-down in RX 1 (01): Receive Chain and PA in power-down in both TX and RX 2 (10): Individual modules can be put in power-down by programming the POWERDOWN register 3 (11): Automatic power-up sequencing is activated (see below) |
| MAIN[3] | FS_PD | - | H | Power Down of Frequency Synthesizer |
| MAIN[2] | XOSC_PD | - | H | Power Down of Crystal Oscillator Core |
| MAIN[1] | BIAS_PD | - | H | Power Down of BIAS (Global Current Generator) and Crystal Oscillator Buffer |
| MAIN[0] | RESET_N | - | L | Reset, active low. Writing RESET_N low will write default values to all other registers than MAIN. Bits in MAIN do not have a default value and will be written directly through the configuration interface. Must be set high to complete reset. |

MAIN Register (00h) when using automatic power-up sequencing (RXTX = 0, PD_MODE[1:0] =11)

| REGISTER | NAME | Default value | Active | Description |
|------------|---------------|---------------|--------|---|
| MAIN[7] | RXTX | - | - | Automatic power-up sequencing only works in RX (RXTX=0) |
| MAIN[6] | F_REG | - | - | Selection of Frequency Register, 0: Register A, 1: Register B |
| MAIN[5 :4] | PD_MODE[1 :0] | - | H | Set PD_MODE[1:0]=3 (11) to enable sequencing |
| MAIN[3:2] | SEQ_CAL[1:0] | - | - | Controls PLL calibration before re-entering power-down 0: Never perform PLL calibration as part of sequence 1: Always perform PLL calibration at end of sequence 2: Perform PLL calibration at end of every 16 th sequence 3: Perform PLL calibration at end of every 256 th sequence |
| MAIN[1] | SEQ_PD | - | ↑ | ↑1: Put the chip in power down and wait for start of new power-up sequence |
| MAIN[0] | RESET_N | - | L | Reset, active low. Writing RESET_N low will write default values to all other registers than MAIN. Bits in MAIN do not have a default value and will be written directly through the configuration interface. Must be set high to complete reset. |

INTERFACE Register (01h)

| REGISTER | NAME | Default value | Active | Description |
|--------------|-------------|---------------|--------|---|
| INTERFACE[7] | XOSC_BYPASS | 0 | H | Bypass internal crystal oscillator, use external clock 0: Internal crystal oscillator is used, or external sine wave fed through a coupling capacitor 1: Internal crystal oscillator in power down, external clock with rail-to-rail swing is used |
| INTERFACE[6] | SEP_DI_DO | 0 | H | Use separate pin for RX data output 0: DIO is data output in RX and data input in TX. LOCK pin is available (Normal operation). 1: DIO is always input, and a separate pin is used for RX data output (synchronous mode: LOCK pin, asynchronous mode: DCLK pin). If SEP_DI_DO=1 and SEQ_PSEL=0 in SEQUENCING register then negative transitions on DIO is used to start power-up sequencing when PD_MODE=3 (power-up sequencing is enabled). |
| INTERFACE[5] | DCLK_LOCK | 0 | H | Gate DCLK signal with PLL lock signal in synchronous mode Only applies when PD_MODE = "01" 0: DCLK is always 1 1: DCLK is always 1 unless PLL is in lock |
| INTERFACE[4] | DCLK_CS | 0 | H | Gate DCLK signal with carrier sense indicator in synchronous mode Use when receive chain is active (in power-up) Always set to 0 in TX mode. 0: DCLK is independent of carrier sense indicator. 1: DCLK is always 1 unless carrier sense is indicated |
| INTERFACE[3] | EXT_PA | 0 | H | Use PA_EN pin to control external PA 0: PA_EN pin always equals EXT_PA_POL bit 1: PA_EN pin is asserted when internal PA is turned on |
| INTERFACE[2] | EXT_LNA | 0 | H | Use LNA_EN pin to control external LNA 0: LNA_EN pin always equals EXT_LNA_POL bit 1: LNA_EN pin is asserted when internal LNA is turned on |
| INTERFACE[1] | EXT_PA_POL | 0 | H | Polarity of external PA control 0: PA_EN pin is "0" when activating external PA 1: PA_EN pin is "1" when activating external PA |
| INTERFACE[0] | EXT_LNA_POL | 0 | H | Polarity of external LNA control 0: LNA_EN pin is "0" when activating external LNA 1: LNA_EN pin is "1" when activating external LNA |

Note: If TF_ENABLE=1 or TA_ENABLE=1 in TEST4 register, then INTERFACE[3:0] controls analog test module: INTERFACE[3] = TEST_PD, INTERFACE[2:0] = TEST_MODE[2:0]. Otherwise, TEST_PD=1 and TEST_MODE[2:0]=001.

RESET Register (02h)

| REGISTER | NAME | Default value | Active | Description |
|----------|------------------|---------------|--------|---|
| RESET[7] | ADC_RESET_N | 0 | L | Reset ADC control logic |
| RESET[6] | AGC_RESET_N | 0 | L | Reset AGC (VGA control) logic |
| RESET[5] | GAUSS_RESET_N | 0 | L | Reset Gaussian data filter |
| RESET[4] | AFC_RESET_N | 0 | L | Reset AFC / FSK decision level logic |
| RESET[3] | BITSYNC_RESET_N | 0 | L | Reset modulator, bit synchronization logic and PN9 PRBS generator |
| RESET[2] | SYNTH_RESET_N | 0 | L | Reset digital part of frequency synthesizer |
| RESET[1] | SEQ_RESET_N | 0 | L | Reset power-up sequencing logic |
| RESET[0] | CAL_LOCK_RESET_N | 0 | L | Reset calibration logic and lock detector |

Note: For reset of CC1020 write RESET_N=0 in the MAIN register. The reset register should not be used during normal operation.

Bits in the RESET register are self-clearing (will be set to 1 when the reset operation starts). Relevant digital clocks must be running for the resetting to complete. After writing to the RESET register, the user should verify that all reset operations have been completed, by reading the RESET_DONE status register (41h) until all bits equal 1.

SEQUENCING Register (03h)

| REGISTER | NAME | Default value | Active | Description |
|-----------------|--------------|---------------|--------|---|
| SEQUENCING[7] | SEQ_PSEL | 1 | H | Use PSEL pin to start sequencing 0: PSEL pin does not start sequencing. Negative transitions on DIO starts power-up sequencing if SEP_DI_DO=1. 1: Negative transitions on the PSEL pin will start power-up sequencing |
| SEQUENCING[6:4] | RX_WAIT[2:0] | 0 | - | Waiting time from PLL enters lock until RX power-up 0: Wait for approx. 32 ADC_CLK periods (26 µs) 1: Wait for approx. 44 ADC_CLK periods (36 µs) 2: Wait for approx. 64 ADC_CLK periods (52 µs) 3: Wait for approx. 88 ADC_CLK periods (72 µs) 4: Wait for approx. 128 ADC_CLK periods (104 µs) 5: Wait for approx. 176 ADC_CLK periods (143 µs) 6: Wait for approx. 256 ADC_CLK periods (208 µs) 7: No additional waiting time before RX power-up |
| SEQUENCING[3:0] | CS_WAIT[3:0] | 10 | - | Waiting time for carrier sense from RX power-up 0: Wait 20 FILTER_CLK periods before power down 1: Wait 22 FILTER_CLK periods before power down 2: Wait 24 FILTER_CLK periods before power down 3: Wait 26 FILTER_CLK periods before power down 4: Wait 28 FILTER_CLK periods before power down 5: Wait 30 FILTER_CLK periods before power down 6: Wait 32 FILTER_CLK periods before power down 7: Wait 36 FILTER_CLK periods before power down 8: Wait 40 FILTER_CLK periods before power down 9: Wait 44 FILTER_CLK periods before power down 10: Wait 48 FILTER_CLK periods before power down 11: Wait 52 FILTER_CLK periods before power down 12: Wait 56 FILTER_CLK periods before power down 13: Wait 60 FILTER_CLK periods before power down 14: Wait 64 FILTER_CLK periods before power down 15: Wait 72 FILTER_CLK periods before power down |

FREQ_2A Register (04h)

| REGISTER | NAME | Default value | Active | Description |
|--------------|---------------|---------------|--------|-----------------------------------|
| FREQ_2A[7:0] | FREQ_A[22:15] | 131 | - | 8 MSB of frequency control word A |

FREQ_1A Register (05h)

| REGISTER | NAME | Default value | Active | Description |
|--------------|--------------|---------------|--------|---|
| FREQ_1A[7:0] | FREQ_A[14:7] | 177 | - | Bit 15 to 8 of frequency control word A |

FREQ_0A Register (06h)

| REGISTER | NAME | Default value | Active | Description |
|--------------|-------------|---------------|--------|-----------------------------------|
| FREQ_0A[7:1] | FREQ_A[6:0] | 124 | - | 7 LSB of frequency control word A |
| FREQ_0A[0] | DITHER_A | 1 | H | Enable dithering for frequency A |

CLOCK_A Register (07h)

| REGISTER | NAME | Default value | Active | Description |
|--------------|------------------|---------------|--------|---|
| CLOCK_A[7:5] | REF_DIV_A[2:0] | 2 | - | Reference frequency divisor (A): 0: Not supported 1: REF_CLK frequency = Crystal frequency / 2 ... 7: REF_CLK frequency = Crystal frequency / 8 It is recommended to use the highest possible reference clock frequency that allows the desired Baud rate. |
| CLOCK_A[4:2] | MCLK_DIV1_A[2:0] | 4 | - | Modem clock divider 1 (A): 0: Divide by 2.5 1: Divide by 3 2: Divide by 4 3: Divide by 7.5 (2.5·3) 4: Divide by 12.5 (2.5·5) 5: Divide by 40 (2.5·16) 6: Divide by 48 (3·16) 7: Divide by 64 (4·16) |
| CLOCK_A[1:0] | MCLK_DIV2_A[1:0] | 0 | - | Modem clock divider 2 (A): 0: Divide by 1 1: Divide by 2 2: Divide by 4 3: Divide by 8 MODEM_CLK frequency is FREF frequency divided by the product of divider 1 and divider 2. Baud rate is MODEM_CLK frequency divided by 8. |

FREQ_2B Register (08h)

| REGISTER | NAME | Default value | Active | Description |
|--------------|---------------|---------------|--------|-----------------------------------|
| FREQ_2B[7:0] | FREQ_B[22:15] | 131 | - | 8 MSB of frequency control word B |

FREQ_1B Register (09h)

| REGISTER | NAME | Default value | Active | Description |
|--------------|--------------|---------------|--------|---|
| FREQ_1B[7:0] | FREQ_B[14:7] | 189 | - | Bit 15 to 8 of frequency control word B |

FREQ_0B Register (0Ah)

| REGISTER | NAME | Default value | Active | Description |
|--------------|-------------|---------------|--------|-----------------------------------|
| FREQ_0B[7:1] | FREQ_B[6:0] | 124 | - | 7 LSB of frequency control word B |
| FREQ_0B[0] | DITHER_B | 1 | H | Enable dithering for frequency B |

CLOCK_B Register (0Bh)

| REGISTER | NAME | Default value | Active | Description |
|--------------|------------------|---------------|--------|--|
| CLOCK_B[7:5] | REF_DIV_B[2:0] | 2 | - | Reference frequency divisor (B): 0: Not supported 1: REF_CLK frequency = Crystal frequency / 2 ... 7: REF_CLK frequency = Crystal frequency / 8 |
| CLOCK_B[4:2] | MCLK_DIV1_B[2:0] | 4 | - | Modem clock divider 1 (B): 0: Divide by 2.5 1: Divide by 3 2: Divide by 4 3: Divide by 7.5 (2.5·3) 4: Divide by 12.5 (2.5·5) 5: Divide by 40 (2.5·16) 6: Divide by 48 (3·16) 7: Divide by 64 (4·16) |
| CLOCK_B[1:0] | MCLK_DIV2_B[1:0] | 0 | - | Modem clock divider 2 (B): 0: Divide by 1 1: Divide by 2 2: Divide by 4 3: Divide by 8 MODEM_CLK frequency is FREF frequency divided by the product of divider 1 and divider 2. Baud rate is MODEM_CLK frequency divided by 8. |

VCO Register (0Ch)

| REGISTER | NAME | Default value | Active | Description |
|----------|--------------------|---------------|--------|--|
| VCO[7:4] | VCO_CURRENT_A[3:0] | 8 | - | Control of current in VCO core for frequency A 0 : 1.4 mA current in VCO core 1 : 1.8 mA current in VCO core 2 : 2.1 mA current in VCO core 3 : 2.5 mA current in VCO core 4 : 2.8 mA current in VCO core 5 : 3.2 mA current in VCO core 6 : 3.5 mA current in VCO core 7 : 3.9 mA current in VCO core 8 : 4.2 mA current in VCO core 9 : 4.6 mA current in VCO core 10 : 4.9 mA current in VCO core 11 : 5.3 mA current in VCO core 12 : 5.6 mA current in VCO core 13 : 6.0 mA current in VCO core 14 : 6.4 mA current in VCO core 15 : 6.7 mA current in VCO core Recommended setting: VCO_CURRENT_A=4 |
| VCO[3:0] | VCO_CURRENT_B[3:0] | 8 | - | Control of current in VCO core for frequency B The current steps are the same as for VCO_CURRENT_A Recommended setting: VCO_CURRENT_B=4 |

MODEM Register (0Dh)

| REGISTER | NAME | Default value | Active | Description |
|------------|------------------|---------------|--------|--|
| MODEM[7] | - | 0 | - | Reserved, write 0 |
| MODEM[6:4] | ADC_DIV[2:0] | 3 | - | ADC clock divisor 0: Not supported 1: ADC frequency = XOSC frequency / 4 2: ADC frequency = XOSC frequency / 6 3: ADC frequency = XOSC frequency / 8 4: ADC frequency = XOSC frequency / 10 5: ADC frequency = XOSC frequency / 12 6: ADC frequency = XOSC frequency / 14 7: ADC frequency = XOSC frequency / 16 Note that the intermediate frequency should be as close to 307.2 kHz as possible. ADC clock frequency is always 4 times the intermediate frequency and should therefore be as close to 1.2288 MHz as possible. |
| MODEM[3] | - | 0 | - | Reserved, write 0 |
| MODEM[2] | PN9_ENABLE | 0 | H | Enable scrambling of TX and RX with PN9 pseudo-random bit sequence 0: PN9 scrambling is disabled 1: PN9 scrambling is enabled (x^9+x^5+1) The PN9 pseudo-random bit sequence can be used for BER testing by only transmitting zeros, and then counting the number of received ones. |
| MODEM[1:0] | DATA_FORMAT[1:0] | 0 | - | Modem data format 0 (00): NRZ operation 1 (01): Manchester operation 2 (10): Transparent asynchronous UART operation, set DCLK=0 3 (11): Transparent asynchronous UART operation, set DCLK=1 |

DEVIATION Register (0Eh)

| REGISTER | NAME | Default value | Active | Description |
|------------------|---------------|---------------|--------|--|
| DEVIATION[7] | TX_SHAPING | 1 | H | Enable Gaussian shaping of transmitted data Recommended setting: TX_SHAPING=1 |
| DEVIATION[6 :4] | TXDEV_X[2 :0] | 6 | - | Transmit frequency deviation exponent |
| DEVIATION [3 :0] | TXDEV_M[3 :0] | 8 | - | Transmit frequency deviation mantissa Deviation in 402-470 MHz band: $F_{REF} \cdot TXDEV_M \cdot 2^{(TXDEV_X-16)}$ Deviation in 804-940 MHz band: $F_{REF} \cdot TXDEV_M \cdot 2^{(TXDEV_X-15)}$ On-off-keying (OOK) is used in RX/TX if TXDEV_M[3:0]=0 To find TXDEV_M given the deviation and TXDEV_X: $TXDEV_M = deviation \cdot 2^{(16-TXDEV_X)} / F_{REF}$ in 402-470 MHz band, $TXDEV_M = deviation \cdot 2^{(15-TXDEV_X)} / F_{REF}$ in 804-940 MHz band. Decrease TXDEV_X and try again if TXDEV_M < 8. Increase TXDEV_X and try again if TXDEV_M ≥ 16. |

AFC_CONTROL Register (0Fh)

| REGISTER | NAME | Default value | Active | Description |
|------------------|---------------|---------------|--------|--|
| AFC_CONTROL[7:6] | SETTLING[1:0] | 2 | - | Controls AFC settling time versus accuracy 0: AFC off; zero average frequency is used in demodulator 1: Fastest settling; frequency averaged over 1 0/1 bit pair 2: Medium settling; frequency averaged over 2 0/1 bit pairs 3: Slowest settling; frequency averaged over 4 0/1 bit pairs Recommended setting: AFC_CONTROL=3 for higher accuracy unless it is essential to have the fastest settling time when transmission starts after RX is activated. |
| AFC_CONTROL[5:4] | RXDEV_X[1:0] | 1 | - | RX frequency deviation exponent |
| AFC_CONTROL[3:0] | RXDEV_M[3:0] | 12 | - | RX frequency deviation mantissa Expected RX deviation should be: $Baud\ rate \cdot RXDEV_M \cdot 2^{(RXDEV_X-3)} / 3$ To find RXDEV_M given the deviation and RXDEV_X: $RXDEV_M = 3 \cdot deviation \cdot 2^{(3-RXDEV_X)} / Baud\ rate$ Decrease RXDEV_X and try again if RXDEV_M < 8. Increase RXDEV_X and try again if RXDEV_M ≥ 16. |

Note: The RX frequency deviation should be close to half the TX frequency deviation for GFSK at 100 kBaud data rate and below. The RX frequency deviation should be close to the TX frequency deviation for FSK and for GFSK at 100 kBaud data rate and above.

FILTER Register (10h)

| REGISTER | NAME | Default value | Active | Description |
|-------------|----------------|---------------|--------|--|
| FILTER[7] | FILTER_BYPASS | 0 | H | Bypass analog image rejection / anti-alias filter. Set to 1 for increased dynamic range at high Baud rates. Recommended setting: FILTER_BYPASS=0 below 76.8 kBaud, FILTER_BYPASS=1 for 76.8 kBaud and up. |
| FILTER[6:5] | DEC_SHIFT[1:0] | 0 | - | Number of extra bits to shift decimator input (may improve filter accuracy and lower power consumption). Recommended settings: DEC_SHIFT=0 when DEC_DIV ≤ 1 (receiver channel bandwidth ≥ 153.6 kHz), DEC_SHIFT=1 when optimized sensitivity and 1 < DEC_DIV < 24 (12.29 kHz < receiver channel bandwidth < 153.6 kHz), DEC_SHIFT=2 when optimized selectivity and DEC_DIV ≥ 24 (receiver channel bandwidth ≤ 12.29 kHz) |
| FILTER[4:0] | DEC_DIV[4:0] | 0 | - | Decimation clock divisor 0: Decimation clock divisor = 1, 307.2 kHz channel filter BW. 1: Decimation clock divisor = 2, 153.6 kHz channel filter BW. ... 30: Decimation clock divisor = 31, 9.91 kHz channel filter BW. 31: Decimation clock divisor = 32, 9.6 kHz channel filter BW. Channel filter bandwidth is 307.2 kHz divided by the decimation clock divisor. |

VGA1 Register (11h)

| REGISTER | NAME | Default value | Active | Description |
|------------|-----------------|---------------|--------|---|
| VGA1[7 :6] | CS_SET[1:0] | 1 | - | <p>Sets the number of consecutive samples at or above carrier sense level before carrier sense is indicated (e.g. on LOCK pin)</p> <p>0: Set carrier sense after first sample at or above carrier sense level 1: Set carrier sense after second sample at or above carrier sense level 2: Set carrier sense after third sample at or above carrier sense level 3: Set carrier sense after fourth sample at or above carrier sense level</p> <p>Increasing CS_SET reduces the number of “false” carrier sense events due to noise at the expense of increased carrier sense response time.</p> |
| VGA1[5] | CS_RESET | 1 | - | <p>Sets the number of consecutive samples below carrier sense level before carrier sense indication (e.g. on lock pin) is reset</p> <p>0: Carrier sense is reset after first sample below carrier sense level 1: Carrier sense is reset after second sample below carrier sense level</p> <p>Recommended setting: CS_RESET=1 in order to reduce the chance of losing carrier sense due to noise.</p> |
| VGA1[4 :2] | VGA_WAIT[2 :0] | 1 | - | <p>Controls how long AGC, bit synchronization, AFC and RSSI levels are frozen after VGA gain is changed when frequency is changed between A and B or PLL has been out of lock or after RX power-up</p> <p>0: Freeze operation for 16 filter clocks, 8/(filter BW) seconds 1: Freeze operation for 20 filter clocks, 10/(filter BW) seconds 2: Freeze operation for 24 filter clocks, 12/(filter BW) seconds 3: Freeze operation for 28 filter clocks, 14/(filter BW) seconds 4: Freeze operation for 32 filter clocks, 16/(filter BW) seconds 5: Freeze operation for 40 filter clocks, 20/(filter BW) seconds 6: Freeze operation for 48 filter clocks, 24/(filter BW) seconds 7: Freeze present levels unconditionally</p> |
| VGA1[1:0] | VGA_FREEZE[1:0] | 1 | - | <p>Controls the additional time AGC, bit synchronization, AFC and RSSI levels are frozen when frequency is changed between A and B or PLL has been out of lock or after RX power-up</p> <p>0: Freeze levels for approx. 16 ADC_CLK periods (13 μs) 1: Freeze levels for approx. 32 ADC_CLK periods (26 μs) 2: Freeze levels for approx. 64 ADC_CLK periods (52 μs) 3: Freeze levels for approx. 128 ADC_CLK periods (104 μs)</p> |

VGA2 Register (12h)

| REGISTER | NAME | Default value | Active | Description |
|-----------|-------------------|---------------|--------|--|
| VGA2[7] | LNA2_MIN | 0 | - | Minimum LNA2 setting used in VGA 0: Minimum LNA2 gain 1: Medium LNA2 gain Recommended setting: LNA2_MIN=0 for best selectivity. |
| VGA2[6] | LNA2_MAX | 1 | - | Maximum LNA2 setting used in VGA 0: Medium LNA2 gain 1: Maximum LNA2 gain Recommended setting: LNA2_MAX=1 for best sensitivity. |
| VGA2[5:4] | LNA2_SETTING[1:0] | 3 | - | Selects at what VGA setting the LNA gain should be changed 0: Apply LNA2 change below min. VGA setting. 1: Apply LNA2 change at approx. 1/3 VGA setting (around VGA setting 10). 2: Apply LNA2 change at approx. 2/3 VGA setting (around VGA setting 19). 3: Apply LNA2 change above max. VGA setting. Recommended setting: LNA2_SETTING=0 if VGA_SETTING<10, LNA2_SETTING=1 otherwise. If LNA2_MIN=1 and LNA2_MAX=0, then the LNA2 setting is controlled by LNA2_SETTING: 0: Between medium and maximum LNA2 gain 1: Minimum LNA2 gain 2: Medium LNA2 gain 3: Maximum LNA2 gain |
| VGA2[3] | AGC_DISABLE | 0 | H | Disable AGC 0: AGC is enabled 1: AGC is disabled (VGA_SETTING determines VGA gain) Recommended setting: AGC_DISABLE=0 for good dynamic range. |
| VGA2[2] | AGC_HYSTERESIS | 1 | H | Enable AGC hysteresis 0: No hysteresis. Immediate gain change for smallest up/down step 1: Hysteresis enabled. Two samples in a row must indicate gain change for smallest up/down step Recommended setting: AGC_HYSTERESIS=1. |
| VGA2[1:0] | AGC_AVG[1:0] | 1 | - | Sets how many samples that are used to calculate average output magnitude for AGC/RSSI. 0: Magnitude is averaged over 2 filter output samples 1: Magnitude is averaged over 4 filter output samples 2: Magnitude is averaged over 8 filter output samples 3: Magnitude is averaged over 16 filter output samples Recommended setting: AGC_AVG=1. For best AGC/RSSI accuracy AGC_AVG=3. For automatic power-up sequencing, the AGC_AVG and CS_SET values must be chosen so that carrier sense is available in time to be detected before the chip re-enters power-down. |

VGA3 Register (13h)

| REGISTER | NAME | Default value | Active | Description |
|------------|------------------|---------------|--------|--|
| VGA3[7 :5] | VGA_DOWN[2:0] | 1 | - | Decides how much the signal strength must be above CS_LEVEL+VGA_UP before VGA gain is decreased. 0: Gain is decreased 4.5 dB above CS_LEVEL+VGA_UP 1: Gain is decreased 6 dB above CS_LEVEL+VGA_UP ... 6: Gain is decreased 13.5 dB above CS_LEVEL+VGA_UP 7: Gain is decreased 15 dB above CS_LEVEL+VGA_UP See Figure 18 on page 38 for an explanation of the relationship between RSSI, AGC and carrier sense settings. |
| VGA3[4:0] | VGA_SETTING[4:0] | 24 | H | VGA setting to be used when receive chain is turned on This is also the maximum gain that the AGC is allowed to use. See Figure 18 on page 38 for an explanation of the relationship between RSSI, AGC and carrier sense settings. |

VGA4 Register (14h)

| REGISTER | NAME | Default value | Active | Description |
|------------|---------------|---------------|--------|--|
| VGA4[7 :5] | VGA_UP[2:0] | 1 | - | Decides the level where VGA gain is increased if it is not already at the maximum set by VGA_SETTING. 0: Gain is increased when signal is below CS_LEVEL 1: Gain is increased when signal is below CS_LEVEL+1.5 dB ... 6: Gain is increased when signal is below CS_LEVEL+9 dB 7: Gain is increased when signal below CS_LEVEL+10.5 dB See Figure 18 on page 38 for an explanation of the relationship between RSSI, AGC and carrier sense settings. |
| VGA4[4:0] | CS_LEVEL[4:0] | 24 | H | Reference level for Received Signal Strength Indication (carrier sense level) and AGC. See Figure 18 on page 38 for an explanation of the relationship between RSSI, AGC and carrier sense settings. |

LOCK Register (15h)

| REGISTER | NAME | Default value | Active | Description |
|-----------|--------------------|---------------|--------|---|
| LOCK[7:4] | LOCK_SELECT[3:0] | 0 | - | Selection of signals to LOCK pin 0: Set to 0 1: Set to 1 2: LOCK_CONTINUOUS (active low) 3: LOCK_INSTANT (active low) 4: CARRIER_SENSE (RSSI above threshold, active low) 5: CAL_COMPLETE (active low) 6: SEQ_ERROR (active low) 7: FXOSC 8: REF_CLK 9: FILTER_CLK 10: DEC_CLK 11: PRE_CLK 12: DS_CLK 13: MODEM_CLK 14: VCO_CAL_COMP 15: F_COMP |
| LOCK[3] | WINDOW_WIDTH | 0 | - | Selects lock window width 0: Lock window is 2 prescaler clock cycles wide 1: Lock window is 4 prescaler clock cycles wide Recommended setting: WINDOW_WIDTH=0. |
| LOCK[2] | LOCK_MODE | 0 | - | Selects lock detector mode 0: Counter restart mode 1: Up/Down counter mode Recommended setting: LOCK_MODE=0. |
| LOCK[1:0] | LOCK_ACCURACY[1:0] | 0 | - | Selects lock accuracy (counter threshold values) 0: Declare lock at counter value 127, out of lock at value 111 1: Declare lock at counter value 255, out of lock at value 239 2: Declare lock at counter value 511, out of lock at value 495 3: Declare lock at counter value 1023, out of lock at value 1007 |

Note: Set LOCK_SELECT=2 to use the LOCK pin as a lock indicator.

FRONTEND Register (16h)

| REGISTER | NAME | Default value | Active | Description |
|---------------|---------------------|---------------|--------|---|
| FRONTEND[7:6] | LNAMIX_CURRENT[1:0] | 2 | - | Controls current in LNA, LNA2 and mixer Recommended setting: LNAMIX_CURRENT=1 |
| FRONTEND[5:4] | LNA_CURRENT[1 :0] | 1 | - | Controls current in the LNA Recommended setting: LNA_CURRENT=3. Can be lowered to save power at the expense of reduced sensitivity. |
| FRONTEND[3] | MIX_CURRENT | 0 | - | Controls current in the mixer Recommended setting: MIX_CURRENT=1 at 426-464 MHz, MIX_CURRENT=0 at 852-928 MHz. |
| FRONTEND[2] | LNA2_CURRENT | 0 | - | Controls current in LNA 2 Recommended settings: LNA2_CURRENT=0 at 426-464 MHz, LNA2_CURRENT=1 at 852-928 MHz. |
| FRONTEND[1] | SDC_CURRENT | 0 | - | Controls current in the single-to-diff. Converter Recommended settings: SDC_CURRENT=0 at 426-464 MHz, SDC_CURRENT=1 at 852-928 MHz. |
| FRONTEND[0] | LNAMIX_BIAS | 1 | - | Controls how front-end bias currents are generated 0: Constant current biasing 1: Constant Gm·R biasing (reduces gain variation) Recommended setting: LNAMIX_BIAS=0. |

ANALOG Register (17h)

| REGISTER | NAME | Default value | Active | Description |
|-------------|-----------------------|---------------|--------|--|
| ANALOG[7] | BANDSELECT | 1 | - | Frequency band selection 0: 402-470 MHz band 1: 804-940 MHz band |
| ANALOG[6] | LO_DC | 1 | - | Lower LO DC level to mixers 0: High LO DC level to mixers 1: Low LO DC level to mixers Recommended settings: LO_DC=1 for 402-470 MHz, LO_DC=0 for 804-940 MHz. |
| ANALOG[5] | VGA_BLANKING | 1 | H | Enable analog blanking switches in VGA when changing VGA gain. 0: Blanking switches are disabled 1: Blanking switches are turned on for approx. 0.8µs when gain is changed (always on if AGC_DISABLE=1) Recommended setting: VGA_BLANKING=0. |
| ANALOG[4] | PD_LONG | 0 | H | Selects short or long reset delay in phase detector 0: Short reset delay 1: Long reset delay Recommended setting: PD_LONG=0. |
| ANALOG[3] | - | 0 | - | Reserved, write 0 |
| ANALOG[2] | PA_BOOST | 0 | H | Boost PA bias current for higher output power Recommended setting: PA_BOOST=1. |
| ANALOG[1:0] | DIV_BUFF_CURRENT[1:0] | 3 | - | Overall bias current adjustment for VCO divider and buffers 0: 4/6 of nominal VCO divider and buffer current 1: 4/5 of nominal VCO divider and buffer current 2: Nominal VCO divider and buffer current 3: 4/3 of nominal VCO divider and buffer current Recommended setting: DIV_BUFF_CURRENT=3 |

BUFF_SWING Register (18h)

| REGISTER | NAME | Default value | Active | Description |
|-----------------|----------------|---------------|--------|--|
| BUFF_SWING[7:6] | PRE_SWING[1:0] | 3 | - | Prescaler swing. 0: 2/3 of nominal swing 1: 1/2 of nominal swing 2: 4/3 of nominal swing 3: Nominal swing Recommended setting: PRE_SWING=0. |
| BUFF_SWING[5:3] | RX_SWING[2:0] | 4 | - | LO buffer swing, in RX (to mixers) 0: Smallest load resistance (smallest swing) ... 7: Largest load resistance (largest swing) Recommended setting: RX_SWING=2. |
| BUFF_SWING[2:0] | TX_SWING[2:0] | 1 | - | LO buffer swing, in TX (to power amplifier driver) 0: Smallest load resistance (smallest swing) ... 7: Largest load resistance (largest swing) Recommended settings: TX_SWING=4 for 402-470 MHz, TX_SWING=0 for 804-940 MHz. |

BUFF_CURRENT Register (19h)

| REGISTER | NAME | Default value | Active | Description |
|-------------------|------------------|---------------|--------|---|
| BUFF_CURRENT[7:6] | PRE_CURRENT[1:0] | 1 | - | Prescaler current scaling 0: Nominal current 1: 2/3 of nominal current 2: 1/2 of nominal current 3: 2/5 of nominal current Recommended setting: PRE_CURRENT=0. |
| BUFF_CURRENT[5:3] | RX_CURRENT[2:0] | 4 | - | LO buffer current, in RX (to mixers) 0: Minimum buffer current ... 7: Maximum buffer current Recommended setting: RX_CURRENT=4. |
| BUFF_CURRENT[2:0] | TX_CURRENT[2:0] | 5 | - | LO buffer current, in TX (to PA driver) 0: Minimum buffer current ... 7: Maximum buffer current Recommended settings: TX_CURRENT=2 for 402-470 MHz, TX_CURRENT=5 for 804-940 MHz. |

PLL_BW Register (1Ah)

| REGISTER | NAME | Default value | Active | Description |
|-------------|-------------|---------------|--------|---|
| PLL_BW[7:0] | PLL_BW[7:0] | 134 | - | Charge pump current scaling/rounding factor. Used to calibrate charge pump current for the desired PLL loop bandwidth. The value is given by: $PLL_BW = 174 + 16 \log_2(f_{ref}/7.126)$ where f_{ref} is the reference frequency in MHz. |

CALIBRATE Register (1Bh)

| REGISTER | NAME | Default value | Active | Description |
|----------------|------------------|---------------|--------|--|
| CALIBRATE[7] | CAL_START | 0 | ↑ | ↑ 1: Calibration started 0: Calibration inactive |
| CALIBRATE[6] | CAL_DUAL | 0 | H | Use calibration results for both frequency A and B 0: Store results in A or B defined by F_REG (MAIN[6]) 1: Store calibration results in both A and B |
| CALIBRATE[5:4] | CAL_WAIT[1:0] | 0 | - | Selects calibration wait time (affects accuracy) 0 (00): Calibration time is approx. 90000 F_REF periods 1 (01): Calibration time is approx. 110000 F_REF periods 2 (10): Calibration time is approx. 130000 F_REF periods 3 (11): Calibration time is approx. 200000 F_REF periods Recommended setting: CAL_WAIT=3 for best accuracy in calibrated PLL loop filter bandwidth. |
| CALIBRATE[3] | - | 0 | - | Reserved, write 0 |
| CALIBRATE[2:0] | CAL_ITERATE[2:0] | 5 | - | Iteration start value for calibration DAC 0 (000): DAC start value 1, VC<0.49 V after calibration 1 (001): DAC start value 2, VC<0.66 V after calibration 2 (010): DAC start value 3, VC<0.82 V after calibration 3 (011): DAC start value 4, VC<0.99 V after calibration 4 (100): DAC start value 5, VC<1.15 V after calibration 5 (101): DAC start value 6, VC<1.32 V after calibration 6 (110): DAC start value 7, VC<1.48 V after calibration 7 (111): DAC start value 8, VC<1.65 V after calibration Recommended setting: CAL_ITERATE=4. |

PA_POWER Register (1Ch)

| REGISTER | NAME | Default value | Active | Description |
|---------------|---------------|---------------|--------|--|
| PA_POWER[7:4] | PA_HIGH [3:0] | 0 | - | Controls output power in high-power array 0: High-power array is off 1: Minimum high-power array output power ... 15: Maximum high-power array output power |
| PA_POWER[3:0] | PA_LOW[3:0] | 15 | - | Controls output power in low-power array 0: Low-power array is off 1: Minimum low-power array output power ... 15: Maximum low-power array output power It is more efficient in terms of current consumption to use either the lower or upper 4-bits in the PA_POWER register to control the power. |

MATCH Register (1Dh)

| REGISTER | NAME | Default value | Active | Description |
|------------|---------------|---------------|--------|---|
| MATCH[7:4] | RX_MATCH[3:0] | 0 | - | Selects matching capacitor array value for RX. Each step is approximately 0.4 pF. |
| MATCH[3:0] | TX_MATCH[3:0] | 0 | - | Selects matching capacitor array value for TX. Each step is approximately 0.4 pF. |

PHASE_COMP Register (1Eh)

| REGISTER | NAME | Default value | Active | Description |
|-----------------|-----------------|---------------|--------|---|
| PHASE_COMP[7:0] | PHASE_COMP[7:0] | 0 | - | Signed compensation value for LO I/Q phase error. Used for image rejection calibration. -128: approx. -6.2° adjustment between I and Q phase -1: approx. -0.02° adjustment between I and Q phase 0: approx. +0.02° adjustment between I and Q phase 127: approx. +6.2° adjustment between I and Q phase |

GAIN_COMP Register (1Fh)

| REGISTER | NAME | Default value | Active | Description |
|----------------|----------------|---------------|--------|---|
| GAIN_COMP[7:0] | GAIN_COMP[7:0] | 0 | - | Signed compensation value for mixer I/Q gain error. Used for image rejection calibration. -128: approx. -1.16 dB adjustment between I and Q gain -1: approx. -0.004 dB adjustment between I and Q gain 0: approx. +0.004 dB adjustment between I and Q gain 127: approx. +1.16 dB adjustment between I and Q gain |

POWERDOWN Register (20h)

| REGISTER | NAME | Default value | Active | Description |
|--------------|-----------|---------------|--------|--|
| POWERDOWN[7] | PA_PD | 0 | H | Sets PA in power-down when PD_MODE[1:0]=2 |
| POWERDOWN[6] | VCO_PD | 0 | H | Sets VCO in power-down when PD_MODE[1:0]=2 |
| POWERDOWN[5] | BUFF_PD | 0 | H | Sets VCO divider, LO buffers and prescaler in power-down when PD_MODE[1:0]=2 |
| POWERDOWN[4] | CHP_PD | 0 | H | Sets charge pump in power-down when PD_MODE[1:0]=2 |
| POWERDOWN[3] | LNAMIX_PD | 0 | H | Sets LNA/mixer in power-down when PD_MODE[1:0]=2 |
| POWERDOWN[2] | VGA_PD | 0 | H | Sets VGA in power-down when PD_MODE[1:0]=2 |
| POWERDOWN[1] | FILTER_PD | 0 | H | Sets image filter in power-down when PD_MODE[1:0]=2 |
| POWERDOWN[0] | ADC_PD | 0 | H | Sets ADC in power-down when PD_MODE[1:0]=2 |

TEST1 Register (21h, for test only)

| REGISTER | NAME | Default value | Active | Description |
|------------|-------------------|---------------|--------|--|
| TEST1[7:4] | CAL_DAC_OPEN[3:0] | 4 | - | Calibration DAC override value, active when BREAK_LOOP=1 |
| TEST1[3:0] | CHP_CO[3:0] | 13 | - | Charge pump current override value |

TEST2 Register (22h, for test only)

| REGISTER | NAME | Default value | Active | Description |
|------------|--------------|---------------|--------|---|
| TEST2[7] | BREAK_LOOP | 0 | H | 0: PLL loop closed 1: PLL loop open |
| TEST2[6] | CHP_OVERRIDE | 0 | H | 0: use calibrated value 1: use CHP_CO[3:0] value |
| TEST2[5] | VCO_OVERRIDE | 0 | H | 0: use calibrated value 1: use VCO_AO[4:0] value |
| TEST2[4:0] | VCO_AO[4:0] | 16 | - | VCO_ARRAY override value |

TEST3 Register (23h, for test only)

| REGISTER | NAME | Default value | Active | Description |
|------------|------------------|---------------|--------|--|
| TEST3[7] | VCO_CAL_MANUAL | 0 | H | Enables "manual" VCO calibration (test only) |
| TEST3[6] | VCO_CAL_OVERRIDE | 0 | H | Override VCO current calibration 0: Use calibrated value 1: Use VCO_CO[5:0] value VCO_CAL_OVERRIDE controls VCO_CAL_CLK if VCO_CAL_MANUAL=1. Negative transitions are then used to sample VCO_CAL_COMP. |
| TEST3[5:0] | VCO_CO[5:0] | 6 | - | VCO_CAL_CURRENT override value |

TEST4 Register (24h, for test only)

| REGISTER | NAME | Default value | Active | Description |
|------------|-------------|---------------|--------|---|
| TEST4[7] | CHP_DISABLE | 0 | H | Disable normal charge pump operation |
| TEST4[6] | CHP_TEST_UP | 0 | H | Force charge pump to output "up" current |
| TEST4[5] | CHP_TEST_DN | 0 | H | Force charge pump to output "down" current |
| TEST4[4:3] | TM_IQ[1:0] | 0 | - | Value of differential I and Q outputs from mixer when TM_ENABLE=1 0: I output negative, Q output negative 1: I output negative, Q output positive 2: I output positive, Q output negative 3: I output positive, Q output positive |
| TEST4[2] | TM_ENABLE | 0 | H | Enable DC control of mixer output (for testing) |
| TEST4[1] | TF_ENABLE | 0 | H | Connect analog test module to filter inputs |
| TEST4[0] | TA_ENABLE | 0 | H | Connect analog test module to ADC inputs |

If TF_ENABLE=1 or TA_ENABLE=1 in TEST4 register, then INTERFACE[3:0] controls analog test module: INTERFACE[3] = TEST_PD, INTERFACE[2:0] = TEST_MODE[2:0]. Otherwise, TEST_PD=1 and TEST_MODE[2]=1.

TEST5 Register (25h, for test only)

| REGISTER | NAME | Default value | Active | Description |
|------------|------------------|---------------|--------|--|
| TEST5[7] | F_COMP_ENABLE | 0 | H | Enable frequency comparator output F_COMP from phase detector |
| TEST5[6] | SET_DITHER_CLOCK | 1 | H | Enable dithering of delta-sigma clock |
| TEST5[5] | ADC_TEST_OUT | 0 | H | Outputs ADC samples on LOCK and DIO, while ADC_CLK is output on DCLK |
| TEST5[4] | CHOP_DISABLE | 0 | H | Disable chopping in ADC integrators |
| TEST5[3] | SHAPING_DISABLE | 0 | H | Disable ADC feedback mismatch shaping |
| TEST5[2] | VCM_ROT_DISABLE | 0 | H | Disable rotation for VCM mismatch shaping |
| TEST5[1:0] | ADC_ROTATE[1:0] | 0 | - | Control ADC input rotation 0: Rotate in 00 01 10 11 sequence 1: Rotate in 00 10 11 01 sequence 2: Always use 00 position 3: Rotate in 00 10 00 10 sequence |

TEST6 Register (26h, for test only)

| REGISTER | NAME | Default value | Active | Description |
|------------|--------------|---------------|--------|---|
| TEST6[7:4] | - | 0 | - | Reserved, write 0 |
| TEST6[3] | VGA_OVERRIDE | 0 | - | Override VGA settings |
| TEST6[2] | AC1O | 0 | - | Override value to first AC coupler in VGA 0: Approx. 0 dB gain 1: Approx. -12 dB gain |
| TEST6[1:0] | AC2O[1:0] | 0 | - | Override value to second AC coupler in VGA 0: Approx. 0 dB gain 1: Approx. -3 dB gain 2: Approx. -12 dB gain 3: Approx. -15 dB gain |

TEST7 Register (27h, for test only)

| REGISTER | NAME | Default value | Active | Description |
|------------|------------|---------------|--------|-------------------------------|
| TEST7[7:6] | - | 0 | - | Reserved, write 0 |
| TEST7[5:4] | VGA1O[1:0] | 0 | - | Override value to VGA stage 1 |
| TEST7[3:2] | VGA2O[1:0] | 0 | - | Override value to VGA stage 2 |
| TEST7[1:0] | VGA3O[1:0] | 0 | - | Override value to VGA stage 3 |

STATUS Register (40h, read only)

| REGISTER | NAME | Default value | Active | Description |
|-----------|-----------------|---------------|--------|--|
| STATUS[7] | CAL_COMPLETE | - | H | Set to 0 when PLL calibration starts, and set to 1 when calibration has finished |
| STATUS[6] | SEQ_ERROR | - | H | Set to 1 when PLL failed to lock during automatic power-up sequencing |
| STATUS[5] | LOCK_INSTANT | - | H | Instantaneous PLL lock indicator |
| STATUS[4] | LOCK_CONTINUOUS | - | H | PLL lock indicator, as defined by LOCK_ACCURACY. Set to 1 when PLL is in lock |
| STATUS[3] | CARRIER_SENSE | - | H | Carrier sense when RSSI is above CS_LEVEL |
| STATUS[2] | LOCK | - | H | Logical level on LOCK pin |
| STATUS[1] | DCLK | - | H | Logical level on DCLK pin |
| STATUS[0] | DIO | - | H | Logical level on DIO pin |

RESET_DONE Register (41h, read only)

| REGISTER | NAME | Default value | Active | Description |
|---------------|---------------------|---------------|--------|---|
| RESET_DONE[7] | ADC_RESET_DONE | - | H | Reset of ADC control logic done |
| RESET_DONE[6] | AGC_RESET_DONE | - | H | Reset of AGC (VGA control) logic done |
| RESET_DONE[5] | GAUSS_RESET_DONE | - | H | Reset of Gaussian data filter done |
| RESET_DONE[4] | AFC_RESET_DONE | - | H | Reset of AFC / FSK decision level logic done |
| RESET_DONE[3] | BITSYNC_RESET_DONE | - | H | Reset of modulator, bit synchronization logic and PN9 PRBS generator done |
| RESET_DONE[2] | SYNTH_RESET_DONE | - | H | Reset digital part of frequency synthesizer done |
| RESET_DONE[1] | SEQ_RESET_DONE | - | H | Reset of power-up sequencing logic done |
| RESET_DONE[0] | CAL_LOCK_RESET_DONE | - | H | Reset of calibration logic and lock detector done |

RSSI Register (42h, read only)

| REGISTER | NAME | Default value | Active | Description |
|-----------|-----------|---------------|--------|--|
| RSSI[7] | - | - | - | Not in use, will read 0 |
| RSSI[6:0] | RSSI[6:0] | - | - | Received signal strength indicator. The relative power is given by $RSSI \times 1.5$ dB in a logarithmic scale. The VGA gain set by <i>VGA_SETTING</i> must be taken into account. See page 41 for more details. |

AFC Register (43h, read only)

| REGISTER | NAME | Default value | Active | Description |
|-----------|----------|---------------|--------|---|
| AFC[7 :0] | AFC[7:0] | - | - | Average received frequency deviation from IF. This 8-bit 2-complement signed value equals the demodulator decision level and can be used for AFC. The average frequency offset from the IF frequency is $\Delta F = \text{Baud rate} \cdot \text{AFC} / 16$ |

GAUSS_FILTER Register (44h)

| REGISTER | NAME | Default value | Active | Description |
|--------------------|-------------------|---------------|--------|---|
| GAUSS_FILTER[7 :0] | GAUSS_FILTER[7:0] | - | - | Readout of instantaneous IF frequency offset from nominal IF. Signed 8-bit value. $\Delta F = \text{Baud rate} \cdot \text{GAUSS_FILTER} / 8$ |

STATUS1 Register (45h, for test only)

| REGISTER | NAME | Default value | Active | Description |
|--------------|------------------|---------------|--------|--|
| STATUS1[7:4] | CAL_DAC[3:0] | - | - | Status vector defining applied Calibration DAC value |
| STATUS1[3:0] | CHP_CURRENT[3:0] | - | - | Status vector defining applied CHP_CURRENT value |

STATUS2 Register (46h, for test only)

| REGISTER | NAME | Default value | Active | Description |
|---------------|----------------------|---------------|--------|--|
| STATUS2[7 :5] | CC1020_VERSION[2 :0] | - | - | CC1020 version code : 0 : Pre-production version 1: First production version 2-7: Reserved for future use |
| STATUS2[4:0] | VCO_ARRAY[4:0] | - | - | Status vector defining applied VCO_ARRAY value |

STATUS3 Register (47h, for test only)

| REGISTER | NAME | Default value | Active | Description |
|--------------|----------------------|---------------|--------|--|
| STATUS3[7] | F_COMP | - | - | Frequency comparator output from phase detector |
| STATUS3[6] | VCO_CAL_COMP | - | - | Readout of VCO current calibration comparator. Equals 1 if current defined by VCO_CURRENT_A/B is larger than the VCO core current |
| STATUS3[5:0] | VCO_CAL_CURRENT[5:0] | - | - | Status vector defining applied VCO_CAL_CURRENT value |

STATUS4 Register (48h, for test only)

| REGISTER | NAME | Default value | Active | Description |
|--------------|--------------|---------------|--------|-------------------------------|
| STATUS4[7:6] | ADC_MIX[1:0] | - | - | Readout of mixer input to ADC |
| STATUS4[5:3] | ADC_I[2:0] | - | - | Readout of ADC "I" output |
| STATUS4[2:0] | ADC_Q[2:0] | - | - | Readout of ADC "Q" output |

STATUS5 Register (49h, for test only)

| REGISTER | NAME | Default value | Active | Description |
|--------------|---------------|---------------|--------|--|
| STATUS5[7:0] | FILTER_I[7:0] | - | - | Upper bits of "I" output from channel filter |

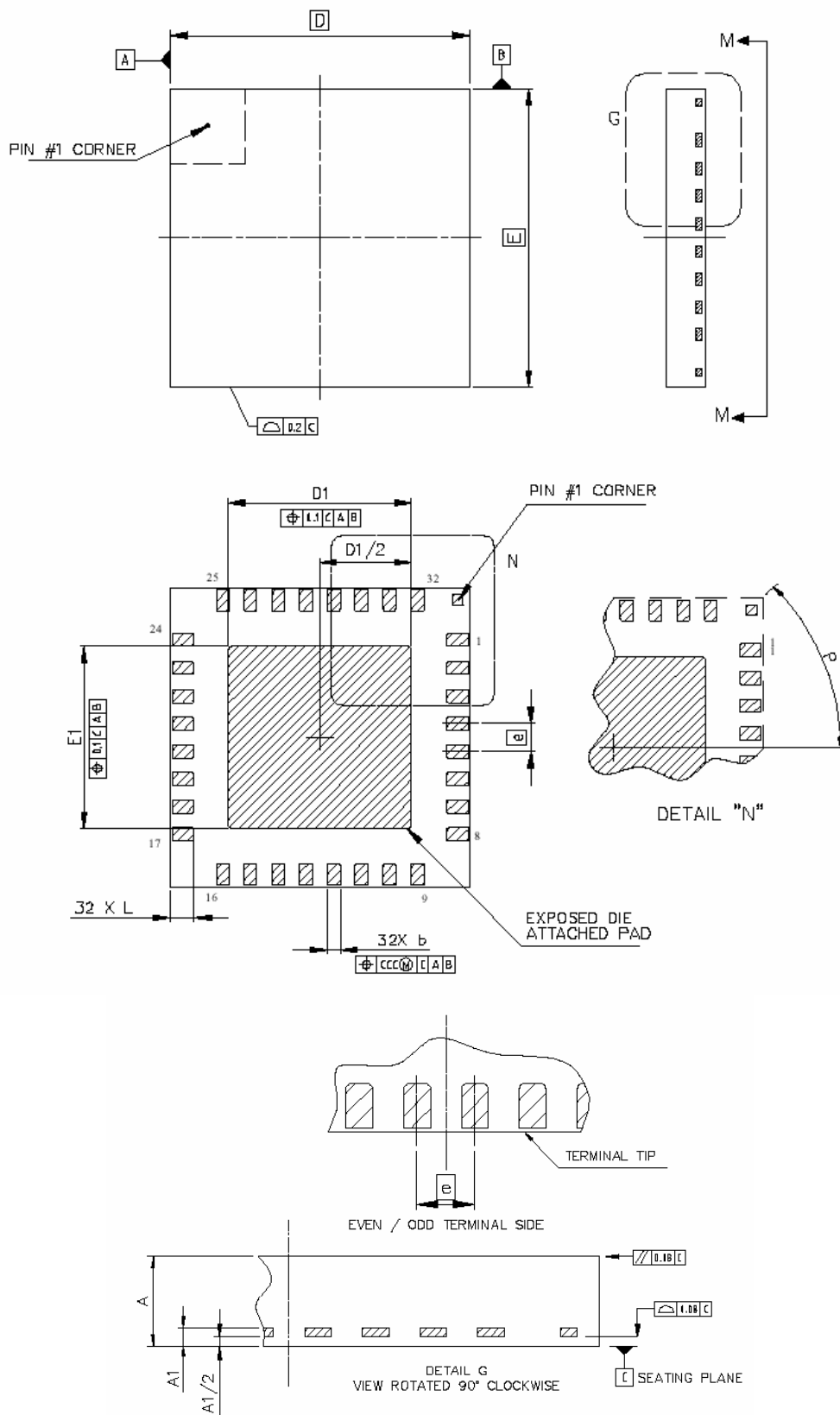
STATUS6 Register (4Ah, for test only)

| REGISTER | NAME | Default value | Active | Description |
|---------------|----------------|---------------|--------|--|
| STATUS6[7 :0] | FILTER_Q[7 :0] | - | - | Upper bits of "Q" output from channel filter |

STATUS7 Register (4Bh, for test only)

| REGISTER | NAME | Default value | Active | Description |
|--------------|----------------------|---------------|--------|--|
| STATUS7[7:5] | - | - | - | Not in use, will read 0 |
| STATUS7[4:0] | VGA_GAIN_OFFSET[4:0] | - | - | Readout of offset between VGA_SETTING and actual VGA gain set by AGC |

27. Package Description (QFN 32)



| Quad Flat Pack – No Lead Package (QFN) | | | | | | | | | | | | |
|--|-----|-----|-----|-----|-------|------|------|------|------|------|-----|--|
| | | D | E | A | A1 | e | b | L | D1 | E1 | P | |
| QFN 32 | Min | 7.0 | 7.0 | 0.8 | 0.203 | 0.65 | 0.25 | 0.45 | 4.18 | 4.18 | 45° | |
| | Max | | | 0.9 | | | 0.30 | 0.55 | 4.28 | 4.28 | | |
| | | | | 1.0 | | | 0.35 | 0.65 | 4.38 | 4.38 | | |

All dimensions in mm. Angles are in degrees.

Package is compliant with JEDEC: MO-220.

Note: Do not place a via underneath **CC1020** at “pin #1 corner” as this pin is internally connected to the exposed die attached pad, which is the main ground connection for the chip.

27.1. Package Marking

When contacting technical support with a chip-related question, please state the entire marking information, not just the date code.

Standard leaded



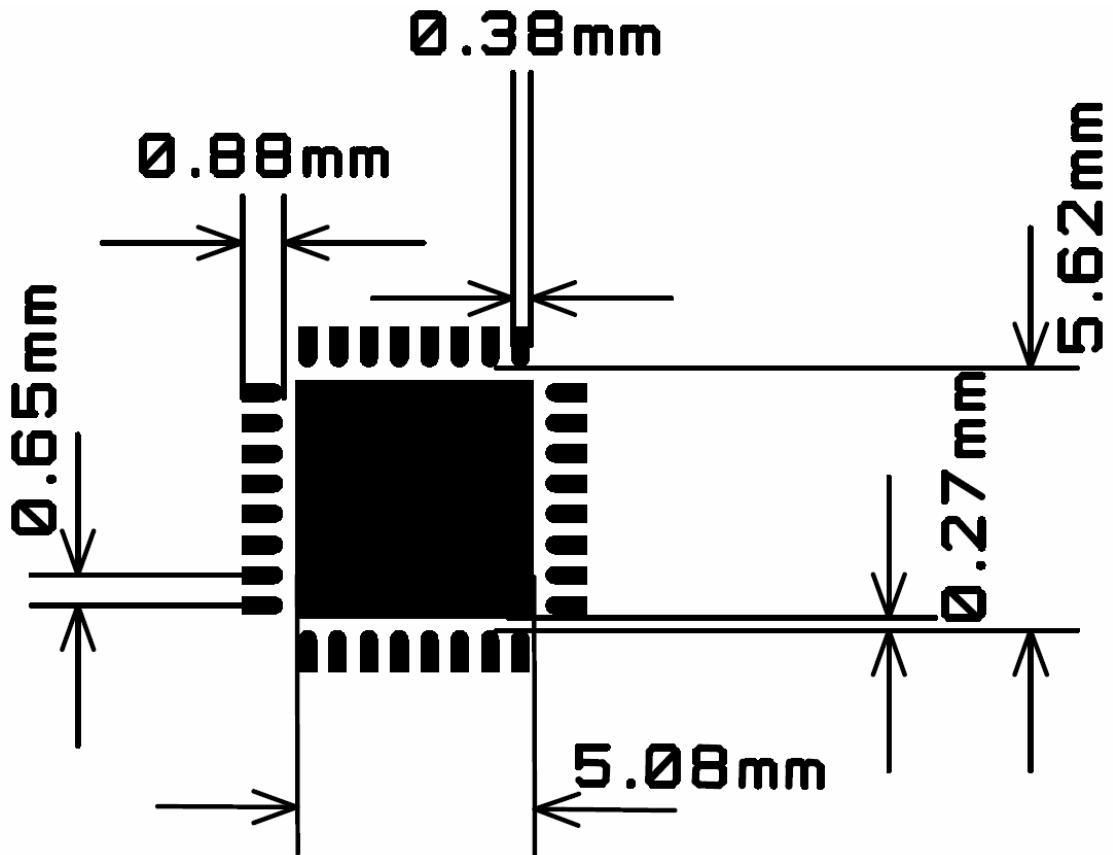
0315 is the date code (year 03, week 15)
123 is the lot code

RoHS compliant Pb-free



440 is the date code (year 4, week 40)
123 is the lot code
A means RoHS compliant Pb-free

27.2. Recommended PCB Footprint for Package (QFN 32)



Note: The figure is an illustration only and not to scale. There are nine 14 mil (0.36 mm) diameter via holes distributed symmetrically in the ground plane under the package. See also the CC1020EMX reference design.

27.3. Package Thermal Properties

| Thermal resistance | | | |
|--------------------|------|------|------|
| Air velocity [m/s] | 0 | 1 | 2 |
| Rth,j-a [K/W] | 21.4 | 18.9 | 17.0 |

27.4. Soldering Information

Recommended soldering profile for both standard leaded packages and Pb-free packages is according to IPC/JEDEC J-STD-020C.

27.5. Plastic Tube Specification

QFN 7x7 mm antistatic tube.

| Tube Specification | | | | |
|--------------------|--------------|------------------|---------------|----------------|
| Package | Tube Width | Tube Height | Tube Length | Units per Tube |
| QFN 32 | 8.5 ± 0.2 mm | 2.2 +0.2/-0.1 mm | 315 ± 1.25 mm | 43 |

27.6. Carrier Tape and Reel Specification

Carrier tape and reel is in accordance with EIA Specification 481.

| Tape and Reel Specification | | | | | |
|-----------------------------|------------|-----------------|------------|---------------|----------------|
| Package | Tape Width | Component Pitch | Hole Pitch | Reel Diameter | Units per Reel |
| QFN 32 | 16 mm | 12 mm | 4 mm | 13" | 4000 |

28. Ordering Information

| Ordering part number | Description | MOQ |
|----------------------|--|------|
| 1123 | CC1020-RTB1 CC1020, QFN32 package, RoHS compliant Pb-free assembly, tubes with 43 pcs per tube, Single Chip RF Transceiver. | 43 |
| 1126 | CC1020-RTR1 CC1020, QFN32 package, RoHS compliant Pb-free assembly, T&R with 4000 pcs per reel, Single Chip RF Transceiver. | 4000 |
| 1115 | CC1020_1070DK-433 CC1020/1070 Development Kit, 433 MHz | 1 |
| 1116 | CC1020_1070DK-868/915 CC1020/1070 Development Kit, 868/915 MHz | 1 |
| 1158 | CC1020SK RoHS CC1020 Sample Kit, QFN32 package, RoHS compliant Pb-free assembly, 5 pcs | 1 |

MOQ = Minimum Order Quantity
T&R = tape and reel

29. General Information

Document Revision History

| Revision | Date | Description/Changes |
|----------|---------------|--|
| 1.4 | November 2003 | New improved image calibration routine. Changes to preamble length and synchronization word for improved packet error rate. Included plot of blocking/selectivity. Included data on PA_EN and LNA_EN pin drive. Changes to Digital FM. Changes to some of the electrical specification parameters. |
| 1.5 | February 2004 | Included data for intermodulation rejection Changed "channel width" to "channel spacing" Maximum power down current increased from 1 uA to 1.8 uA. Update on preamble length and synchronization word for improved packet error rate. |
| 1.6 | December 2004 | The various sections have been reorganized to improve readability Added chapter numbering Reorganized electrical specification section Electrical specifications updated Changes to sensitivity figures Changes to TX spurious emission and harmonics figures Changes to ACP figure at 868 MHz operation Changes to current consumption figures in RX and TX mode and crystal oscillator, bias and synthesizer mode Changes to noise figure Updates to section on input / output matching Updates to section on VCO and PLL self-calibration Updates to section on VCO, charge pump and PLL loop filter Updates to section on receiver channel filter bandwidth Updates to section on RSSI Updates to section on image rejection calibration Updates to section on preamble length and sync word Description of OOK modulation and demodulation merged into one section New bill of materials for operation at 433 MHz and 868/915 MHz Added recommended PCB footprint for package (QFN 32) Added information that there should be no via at "pin #1 corner" (section 27.2) Added list of abbreviations Changes to ordering information |
| 1.7 | October 2005 | RSSI dynamic range changed from 63 dB to 55 dB Recommended CAL_ITERATE changed from 5 to 4 PLL timeout in "Automatic power-up sequencing flow chart" changed from 1024 filter clocks to 127 filter clocks Calibration routine flow chart changed in accordance to CC1020 Errata Note 004 Added chapter on TX data latency |
| 1.8 | January 2006 | Updates to Ordering Information and Address Information |

Product Status Definitions

| Data Sheet Identification | Product Status | Definition |
|---------------------------|--|---|
| Advance Information | Planned or Under Development | This data sheet contains the design specifications for product development. Specifications may change in any manner without notice. |
| Preliminary | Engineering Samples and First Production | This data sheet contains preliminary data, and supplementary data will be published at a later date. Chipcon reserves the right to make changes at any time without notice in order to improve design and supply the best possible product. |
| No Identification Noted | Full Production | This data sheet contains the final specifications. Chipcon reserves the right to make changes at any time without notice in order to improve design and supply the best possible product. |
| Obsolete | Not In Production | This data sheet contains specifications on a product that has been discontinued by Chipcon. The data sheet is printed for reference information only. |

Disclaimer

Chipcon AS believes the information contained herein is correct and accurate at the time of this printing. However, Chipcon AS reserves the right to make changes to this product without notice. Chipcon AS does not assume any responsibility for the use of the described product; neither does it convey any license under its patent rights, or the rights of others. The latest updates are available at the Chipcon website or by contacting Chipcon directly.

To the extent possible, major changes of product specifications and functionality will be stated in product specific Errata Notes published at the Chipcon website. Customers are encouraged to sign up for the Developer's Newsletter for the most recent updates on products and support tools.

When a product is discontinued this will be done according to Chipcon's procedure for obsolete products as described in Chipcon's Quality Manual. This includes informing about last-time-buy options. The Quality Manual can be downloaded from Chipcon's website.

Compliance with regulations is dependent on complete system performance. It is the customer's responsibility to ensure that the system complies with regulations.

Trademarks

SmartRF[®] is a registered trademark of Chipcon AS. SmartRF[®] is Chipcon's RF technology platform with RF library cells, modules and design expertise. Based on SmartRF[®] technology Chipcon develops standard component RF circuits as well as full custom ASICs based on customer requirements and this technology.

All other trademarks, registered trademarks and product names are the sole property of their respective owners.

Life Support Policy

This Chipcon product is not designed for use in life support appliances, devices, or other systems where malfunction can reasonably be expected to result in significant personal injury to the user, or as a critical component in any life support device or system whose failure to perform can be reasonably expected to cause the failure of the life support device or system, or to affect its safety or effectiveness. Chipcon AS customers using or selling these products for use in such applications do so at their own risk and agree to fully indemnify Chipcon AS for any damages resulting from any improper use or sale.

© 2006, Chipcon AS. All rights reserved.