

### 3-PHASE BRIDGE DRIVER

#### Features

- Floating channel designed for bootstrap operation  
Fully operational to +600V or +1200V  
Tolerant to negative transient voltage  
dV/dt immune
- Gate drive supply range from 10V/12V to 20V DC and up to 25V for transient
- Undervoltage lockout for all channels
- Over-current shut down turns off all six drivers
- Independent 3 half-bridge drivers
- Matched propagation delay for all channels
- 2.5V logic compatible
- Outputs out of phase with inputs
- Also available LEAD-FREE

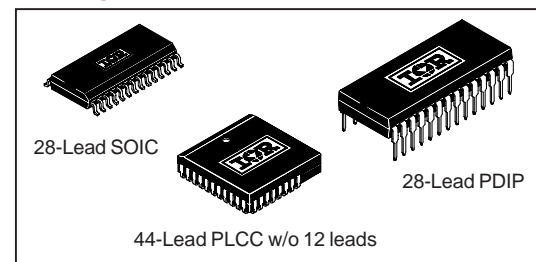
#### Description

The IR2133IR2135/IR2233IR2355 (J&S) are high voltage, high speed power MOSFET and IGBT driver with three independent high side and low side referenced output channels for 3-phase applications. Proprietary HVIC technology enables ruggedized monolithic construction. Logic inputs are compatible with CMOS or LSTTL outputs, down to 2.5V logic. An independent operational amplifier provides an analog feedback of bridge current via an external current sense resistor. A current trip function which terminates all six outputs can also be derived from this resistor. A shutdown function is available to terminate all six outputs. An open drain **FAULT** signal is provided to indicate that an over-current or undervoltage shutdown has occurred. Fault conditions are cleared with the **FLT-CLR** lead. The output drivers feature a high pulse current buffer stage designed for minimum driver cross-conduction. Propagation delays are matched to simplify use in high frequency applications. The floating channels can be used to drive N-channel power MOSFETs or IGBTs in the high side configuration which operates up to 600 volts or 1200 volts.

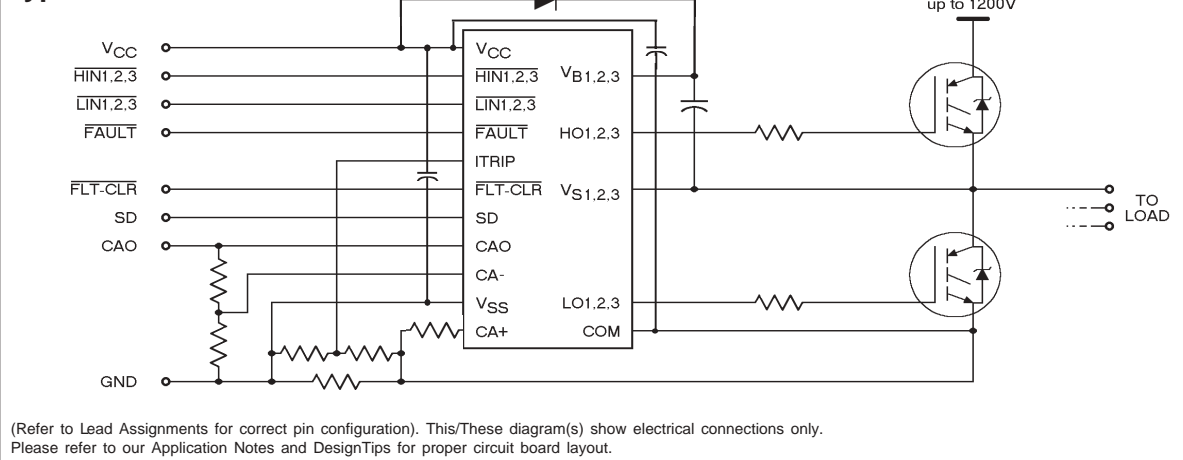
#### Product Summary

<b>V<sub>OFFSET</sub></b>	<b>600V or 1200V max.</b>
<b>I<sub>O+/-</sub></b>	<b>200 mA / 420 mA</b>
<b>V<sub>OUT</sub></b>	<b>10 - 20V or 12 - 20V</b>
<b>t<sub>on/off</sub> (typ.)</b>	<b>750/700 ns</b>
<b>Deadtime (typ.)</b>	<b>250 ns</b>

#### Packages



#### Typical Connection



# IR2133/IR2135/IR2233/IR2235(J&S) & (PbF)

International  
IR Rectifier

## Absolute Maximum Ratings

Absolute Maximum Ratings indicate sustained limits beyond which damage to the device may occur. All voltage parameters are absolute voltages referenced to COM. The Thermal Resistance and Power Dissipation ratings are measured under board mounted and still air conditions.

Symbol	Definition	Min.	Max.	Units	
V <sub>B1,2,3</sub>	High side floating supply voltage	(IR2133/IR2135)	-0.3	625	V
		(IR2233/IR2235)	-0.3	1225	
V <sub>S1,2,3</sub>	High side floating supply offset voltage	V <sub>B1,2,3</sub> - 25	V <sub>B1,2,3</sub> + 0.3		
V <sub>HO1,2,3</sub>	High side floating output voltage	V <sub>S1,2,3</sub> - 0.3	V <sub>B1,2,3</sub> + 0.3		
V <sub>CC</sub>	Fixed supply voltage	-0.3	25		
V <sub>SS</sub>	Logic ground	V <sub>CC</sub> - 25	V <sub>CC</sub> + 0.3		
V <sub>LO1,2,3</sub>	Low side output voltage	-0.3	V <sub>CC</sub> + 0.3		
V <sub>IN</sub>	Logic input voltage (HIN, LIN, ITRIP, SD & FLT-CLR)	V <sub>SS</sub> - 0.3	(V <sub>SS</sub> + 15) or (V <sub>CC</sub> + 0.3) whichever is lower		
V <sub>IN,AMP</sub>	Op amp input voltage (CA+ & CA-)	V <sub>SS</sub> - 0.3	V <sub>CC</sub> + 0.3		
V <sub>OUT,AMP</sub>	Op amp output voltage (CAO)	V <sub>SS</sub> - 0.3	V <sub>CC</sub> + 0.3		
V <sub>FLT</sub>	FAULT output voltage	V <sub>SS</sub> - 0.3	V <sub>CC</sub> + 0.3		
dV <sub>S</sub> /dt	Allowable offset supply voltage transient	—	50	V/ns	
P <sub>D</sub>	Package power dissipation @ T <sub>A</sub> ≤ 25°C	(28 Lead PDIP)	—	1.5	W
		(28 Lead SOIC)	—	1.6	
		(44 lead PLCC)	—	2.0	
R <sub>thJA</sub>	Thermal resistance, junction to ambient	(28 Lead PDIP)	—	83	°C/W
		(28 Lead SOIC)	—	78	
		(44 lead PLCC)	—	63	
T <sub>J</sub>	Junction temperature	—	125	°C	
T <sub>S</sub>	Storage temperature	-55	150		
T <sub>L</sub>	Lead temperature (soldering, 10 seconds)	—	300		

## Recommended Operating Conditions

The input/output logic timing diagram is shown in figure 1. For proper operation the device should be used within the recommended conditions. All voltage parameters are absolute voltages referenced to COM. The VS offset rating is tested with all supplies biased at 15V differential.

Symbol	Parameter Definition	Min.	Max.	Units	
V <sub>B1,2,3</sub>	High side floating supply voltage	V <sub>S1,2,3</sub> + 10/12	V <sub>S1,2,3</sub> + 20	V	
V <sub>S1,2,3</sub>	High side floating supply offset voltage	(IR2133/IR2135)	Note 1		600
		(IR2233/IR2235)	Note 1		1200
V <sub>HO1,2,3</sub>	High side floating output voltage	V <sub>S1,2,3</sub>	V <sub>B1,2,3</sub>		
V <sub>CC</sub>	Fixed supply voltage	10 or 12	20		
V <sub>SS</sub>	Low side driver return	-5	5		
V <sub>LO1,2,3</sub>	Low side output voltage	0	V <sub>CC</sub>		
V <sub>IN</sub>	Logic input voltage (HIN, LIN, ITRIP, SD & FLT-CLR)	V <sub>SS</sub>	V <sub>SS</sub> + 5		
V <sub>IN,AMP</sub>	Op amp input voltage (CA+ & CA-)	V <sub>SS</sub>	V <sub>SS</sub> + 5		
V <sub>OUT,AMP</sub>	Op amp output voltage (CAO)	V <sub>SS</sub>	V <sub>SS</sub> + 5		
V <sub>FLT</sub>	FAULT output voltage	V <sub>SS</sub>	V <sub>CC</sub>		

**Note 1:** Logic operational for V<sub>S</sub> of COM - 5V to COM + 600V/1200V. Logic state held for V<sub>S</sub> of COM -5V to COM -V<sub>BS</sub>. (Please refer to the Design Tip DT97-3 for more details).

**Note 2:** All input pins, op amp input and output pins are internally clamped with a 5.2V zener diode.

### Dynamic Electrical Characteristics

$V_{BIAS}$  ( $V_{CC}$ ,  $V_{BS1,2,3}$ ) = 15V,  $V_{S1,2,3}$  =  $V_{SS}$ ,  $T_A$  = 25°C and  $C_L$  = 1000 pF unless otherwise specified.

Symbol	Definition	Min.	Typ.	Max.	Units	Test Conditions
$t_{on}$	Turn-on propagation delay	500	750	1000	ns	$V_{IN} = 0$ & 5V $V_{S1,2,3} = 0$ to 600V or 1200V
$t_{off}$	Turn-off propagation delay	450	700	950		
$t_r$	Turn-on rise time	—	90	150		
$t_f$	Turn-off fall time	—	40	70		
$t_{sd}$	SD to output shutdown propagation delay	500	750	1000		
$t_{itrip}$	ITRIP to output shutdown propagation delay	600	850	1100		
$t_{bl}$	ITRIP blanking time	—	400	—		
$t_{flt}$	ITRIP to $\overline{FAULT}$ propagation delay	400	650	900		
$t_{fil,in}$	Input filter time ( $\overline{HIN}$ , $\overline{LIN}$ and SD)	—	310	—		
$t_{fltclr}$	FLT-CLR to $\overline{FAULT}$ clear time	600	850	1100		
DT	Deadtime, LS turn-off to HS turn-on & HS turn-off to LS turn-on	100	250	400	V/ $\mu$ s	$V_{IN} = 0$ & 5V
SR+	Amplifier slew rate (positive)	5	10	—		
SR-	Amplifier slew rate (negative)	2	2.5	—		

NOTE: For high side PWM,  $\overline{HIN}$  pulse width must be  $\geq 1\mu$  sec

### Static Electrical Characteristics

$V_{BIAS}$  ( $V_{CC}$ ,  $V_{BS1,2,3}$ ) = 15V unless otherwise specified and  $T_A$  = 25°C. The  $V_{IN}$ ,  $V_{TH}$  and  $I_{IN}$  parameters are referenced to  $V_{SS}$  and are applicable to all six channels ( $H_{S1,2,3}$  &  $L_{S1,2,3}$ ). The  $V_O$  and  $I_O$  parameters are referenced to  $V_{SS}$  and  $V_{S1,2,3}$  and are applicable to the respective output leads:  $H_{O1,2,3}$  or  $L_{O1,2,3}$ .

Symbol	Definition	Min.	Typ.	Max.	Units	Test Conditions
$V_{IH}$	Logic "0" Input Voltage (OUT = LO)	2.2	—	—	V	
$V_{IL}$	Logic "1" Input Voltage (OUT = HI)	—	—	0.8		
$V_{FCLR,IH}$	Logic "0" Fault Clear Input Voltage	2.2	—	—		
$V_{FCLR,IL}$	Logic "1" Fault Clear Input Voltage	—	—	0.8		
$V_{SD,TH+}$	SD Input Positive Going Threshold	1.6	1.9	2.2		
$V_{SD,TH-}$	SD Input Negative Going Threshold	1.4	1.7	2.0		
$V_{IT,TH+}$	ITRIP Input Positive Going Threshold	470	570	670	mV	
$V_{IT,TH-}$	ITRIP Input Negative Going Threshold	360	460	560		
$V_{OH}$	High Level Output Voltage, $V_{BIAS} - V_O$	—	—	100	mV	$V_{IN} = 0V$ , $I_O = 0A$
$V_{OL}$	Low Level Output Voltage, $V_O$	—	—	100		$V_{IN} = 5V$ , $I_O = 0A$
$I_{LK}$	Offset Supply Leakage Current (IR2133/IR2135)	—	—	50	$\mu$ A	$V_{B1,2,3}=V_{S1,2,3} = 600V$
	(IR2233/IR2235)	—	—	50		$V_{B1,2,3}=V_{S1,2,3} = 1200V$
$I_{QBS}$	Quiescent $V_{BS}$ Supply Current	—	50	100	mA	$V_{IN} = 0V$ or 5V
$I_{QCC}$	Quiescent $V_{CC}$ Supply Current	—	4	8		$V_{IN} = 0V$ or 5V
$I_{IN+}$	Logic "1" Input Bias Current (OUT = HI)	—	200	350	$\mu$ A	$V_{IN} = 0V$
$I_{IN-}$	Logic "0" Input Bias Current (OUT = LO)	—	100	250		$V_{IN} = 5V$
$I_{SD+}$	"High" Shutdown Bias Current	—	30	100	nA	SD = 5V
$I_{SD-}$	"Low" Shutdown Bias Current	—	—	100		SD = 0V
$I_{ITRIP+}$	"High" ITRIP Bias Current	—	30	100	$\mu$ A	ITRIP = 5V
$I_{ITRIP-}$	"Low" ITRIP Bias Current	—	—	100	nA	ITRIP = 0V

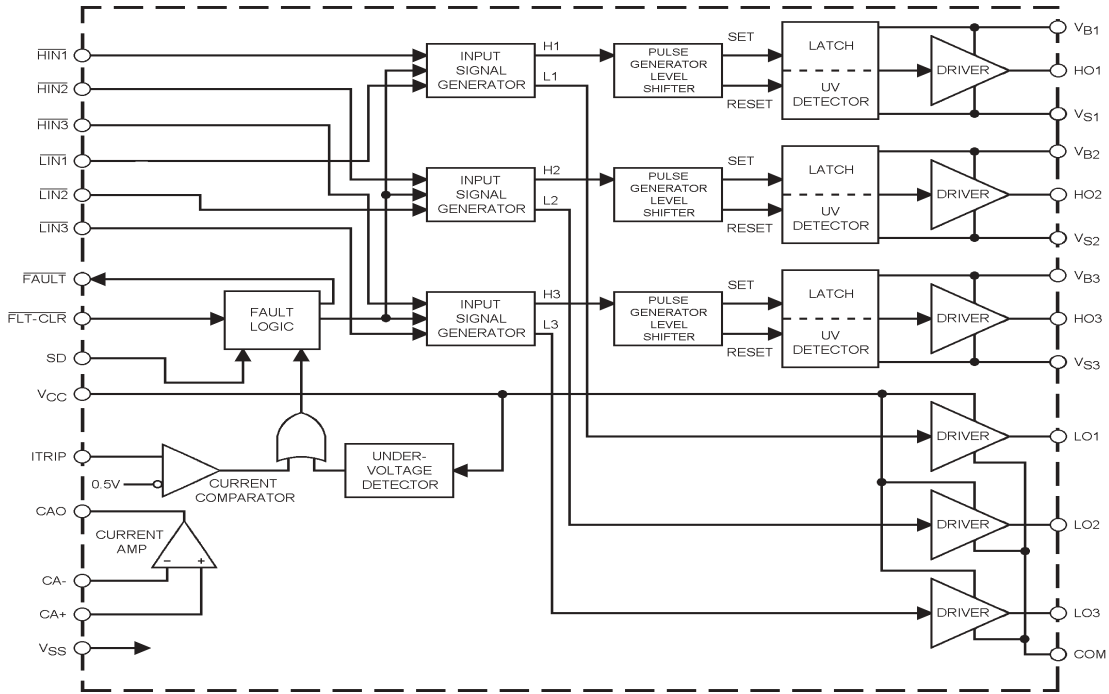
# IR2133/IR2135/IR2233/IR2235(J&S) & (PbF)

## Static Electrical Characteristics — Continued

$V_{BIAS}$  ( $V_{CC}$ ,  $V_{BS1,2,3}$ ) = 15V and  $T_A$  = 25°C unless otherwise specified. The  $V_{IN}$ ,  $V_{TH}$  and  $I_{IN}$  parameters are referenced to  $V_{SS}$  and are applicable to all six channels (HS1,2,3 & LS1,2,3). The  $V_O$  and  $I_O$  parameters are referenced to  $V_{SS}$  and  $V_{S0,1,2,3}$  and are applicable to the respective output leads: HO or LO.

Symbol	Parameter Definition	Min.	Typ.	Max.	Units	Test Conditions										
$I_{FLTCLR+}$	"High" Fault Clear Input Bias Current	—	200	350	$\mu A$	$\overline{FLT-CLR} = 0V$										
$I_{FLTCLR-}$	"Low" Fault Clear Input Bias Current	—	100	250		$\overline{FLT-CLR} = 5V$										
$V_{BSUV+}$	$V_{BS}$ Supply Undervoltage Positive Going Threshold (for IR2133/IR2233)	7.6	8.6	9.6	V											
		(for IR2135/IR2235)	9.2	10.4			11.6									
$V_{BSUV-}$	$V_{BS}$ Supply Undervoltage Negative Going Threshold (for IR2133/IR2233)	7.2	8.2	9.2			V									
		(for IR2135/IR2235)	8.3	9.4					10.5							
$V_{BSUVH}$	$V_{BS}$ Supply Undervoltage Lockout Hysteresis (for IR2133/IR2233)	—	0.4	—					V							
		(for IR2135/IR2235)	—	1							—					
$V_{CCUV+}$	$V_{CC}$ Supply Undervoltage Positive Going Threshold (for IR2133/IR2233)	7.6	8.6	9.6							V					
		(for IR2135/IR2235)	9.2	10.4									11.6			
$V_{CCUV-}$	$V_{CC}$ Supply Undervoltage Negative Going Threshold (for IR2133/IR2233)	7.2	8.2	9.2									V			
		(for IR2135/IR2235)	8.3	9.4											10.5	
$V_{CCUVH}$	$V_{CC}$ Supply Undervoltage Lockout Hysteresis (for IR2133/IR2233)	—	0.4	—											V	
		(for IR2135/IR2235)	—	1												
$R_{on,FLT}$	FAULT- Low On Resistance	—	70	100	$\Omega$											
$I_{O+}$	Output High Short Circuit Pulsed Current	190	250	—	mA	$V_{OUT} = 0V$ , $V_{IN} = 0V$ $PW \leq 10 \mu s$										
$I_{O-}$	Output Low Short Circuit Pulsed Current	380	500	—		$V_{OUT} = 15V$ , $V_{IN} = 5V$ $PW \leq 10 \mu s$										
$V_{OS}$	Amplifier Input Offset Voltage	—	0	30	mV	$CA+ = 0.2V$ , $CA- = CAO$										
$I_{IN,AMP}$	Amplifier Input Bias Current	—	—	4	nA	$CA+ = CA- = 2.5V$										
CMRR	Amplifier Common Mode Rejection Ratio	50	70	—		$CA+ = 0.1V$ & $5V$ , $CA- = CAO$										
PSRR	Amplifier Power Supply Rejection Ratio	50	70	—	dB	$CA+ = 0.2V$ , $CA- = CAO$ $V_{CC} = 10V$ & $20V$										
$V_{OH,Amp}$	Amplifier High Level Output Voltage	5	5.2	5.4	V	$CA+ = 1V$ , $CA- = 0V$										
$V_{OL,Amp}$	Amplifier Low Level Output Voltage	—	—	20	mV	$CA+ = 0V$ , $CA- = 1V$										
$I_{SRC,Amp}$	Amplifier Output Source Current	4	7	—	mA	$CA+ = 1V$ , $CA- = 0V$ , $CAO = 4V$										
$I_{SNK,Amp}$	Amplifier Output Sink Current	0.5	1	—		$CA+ = 0V$ , $CA- = 1V$ , $CAO = 2V$										
$I_{O+,Amp}$	Amplifier Output High Short Circuit Current	—	10	—		$CA+ = 5V$ , $CA- = 0V$ , $CAO = 0V$										
$I_{O-,Amp}$	Amplifier Output Low Short Circuit Current	—	4	—		$CA+ = 0V$ , $CA- = 5V$ , $CAO = 5V$										

**Functional Block Diagram**



**Lead Definitions**

Symbol	Lead Description
$\overline{HIN1,2,3}$	Logic inputs for high side gate driver outputs (HO1,2,3), out of phase.
$\overline{LIN1,2,3}$	Logic inputs for low side gate driver outputs (LO1,2,3), out of phase.
$\overline{FAULT}$	Indicates over-current or undervoltage lockout (low side) has occurred, negative logic.
Vcc	Logic and low side fixed supply.
ITRIP	Input for over-current shut down.
$\overline{FLT-CLR}$	Logic input for fault clear, negative logic.
SD	Logic input for shut down.
CAO	Output of current amplifier.
CA-	Negative input of current amplifier.
CA+	Positive input of current amplifier.
Vss	Logic ground.
COM	Low side return.
VB1,2,3	High side floating supplies.
HO1,2,3	High side gate drive outputs.
VS1,2,3	High side floating supply returns.
LO1,2,3	Low side gate drive outputs

# IR2133/IR2135/IR2233/IR2235(J&S) & (PbF)

## Lead Assignments

<p><b>28 Lead DIP</b></p>	<p><b>44 Lead PLCC w/o 12 Leads</b></p>	<p><b>28 Lead SOIC (Wide Body)</b></p>
<p><b>IR2133</b> <b>IR2135</b> <b>IR2233</b> <b>IR2235</b></p>	<p><b>IR2133J</b> <b>IR2135J</b> <b>IR2233J</b> <b>IR2235J</b></p>	<p><b>IR2133S</b> <b>IR2135S</b> <b>IR2233S</b> <b>IR2235S</b></p>
<p><b>Part Number</b></p>		

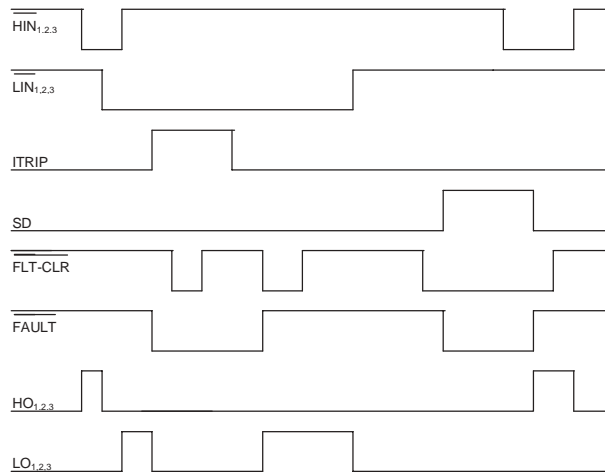


Figure 1. Input/Output Timing Diagram

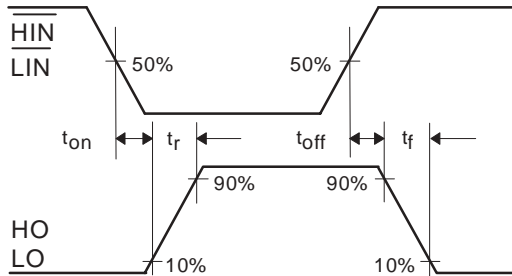


Figure 2. Switching Time Waveform Definitions

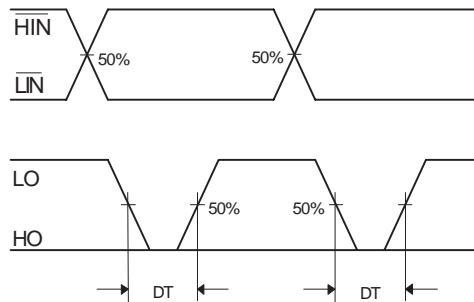


Figure 3. Deadtime Waveform Definitions

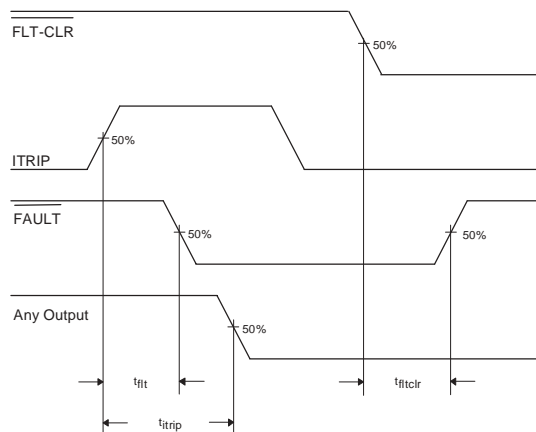


Figure 4. Overcurrent Shutdown Waveform

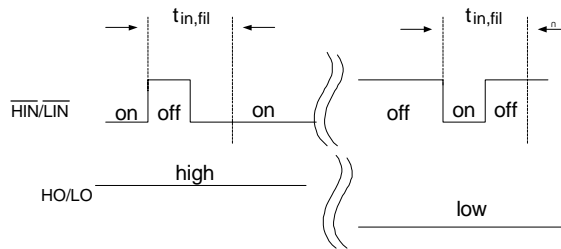


Figure 4.5 Input Filter Function

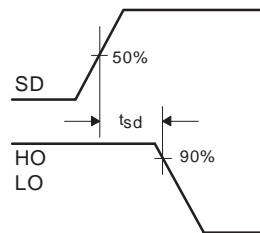


Figure 5. Shutdown Waveform Definitions

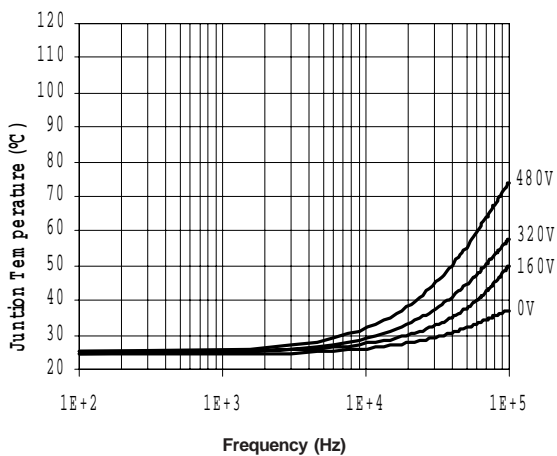


Figure 7. IR2133J Junction Temperature vs Frequency Driving (IRGPC20KD2) Rgate = 5.1Ω @ Vcc = 15V

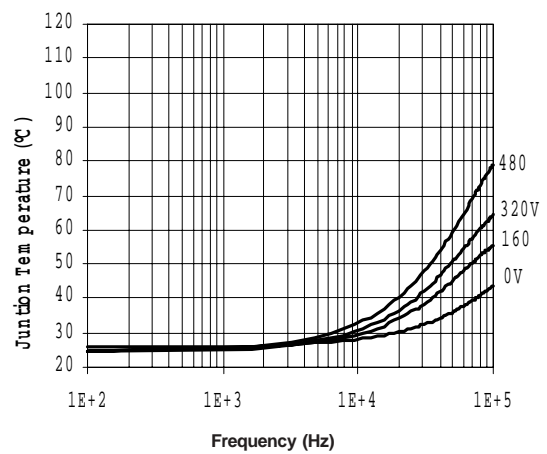


Figure 8. IR2133J Junction Temperature vs Frequency Driving (IRGPC30KD2) Rgate = 5.1Ω @ Vcc = 15V



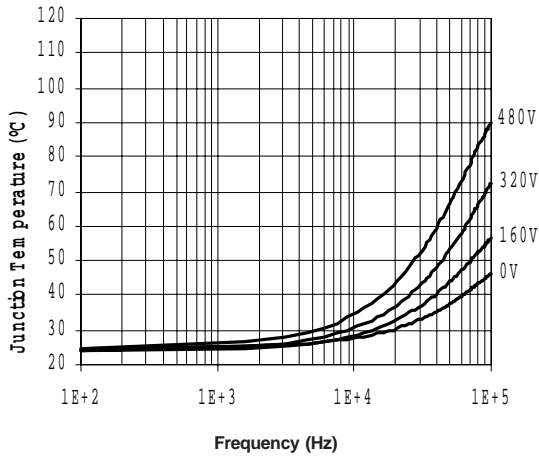


Figure 9. IR2133J Junction Temperature vs Frequency Driving (IRGPC40KD2) Rgate = 5.1Ω @ Vcc = 15V

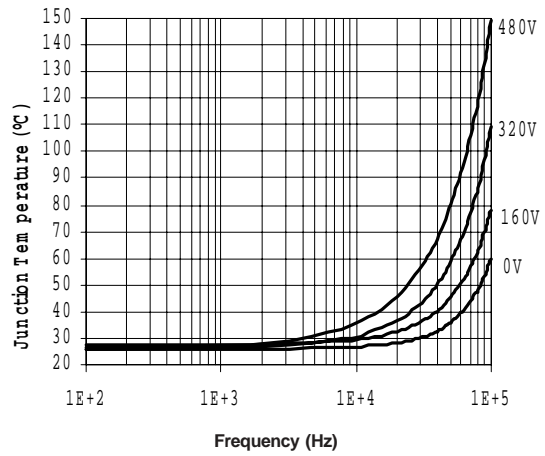


Figure 10. IR2133J Junction Temperature vs Frequency Driving (IRGPC50KD2) Rgate = 5.1Ω @ Vcc = 15V

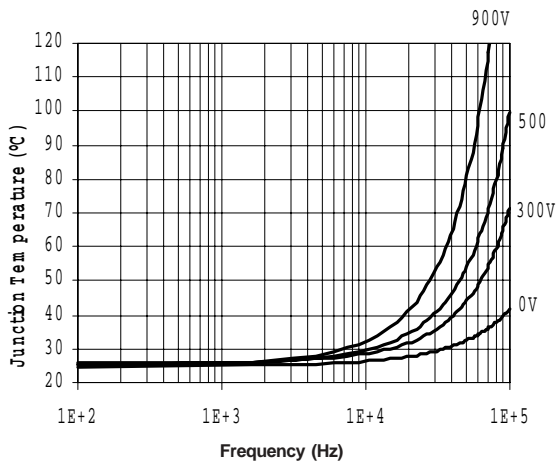


Figure 11. IR2233J Junction Temperature vs Frequency Driving (IRG4PH30KD) Rgate = 20Ω @ Vcc = 15V

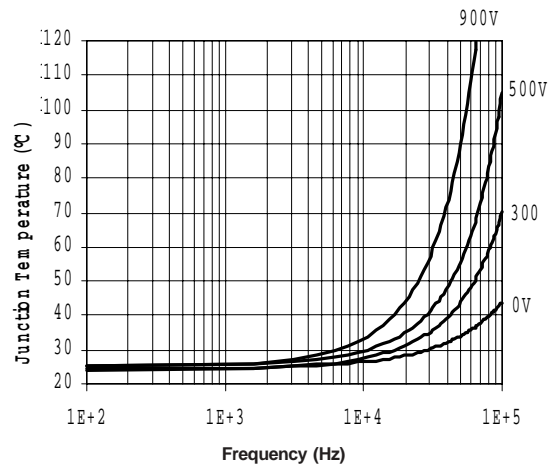


Figure 12. IR2233J Junction Temperature vs Frequency Driving (IRG4PH40KD) Rgate = 15Ω @ Vcc = 15V

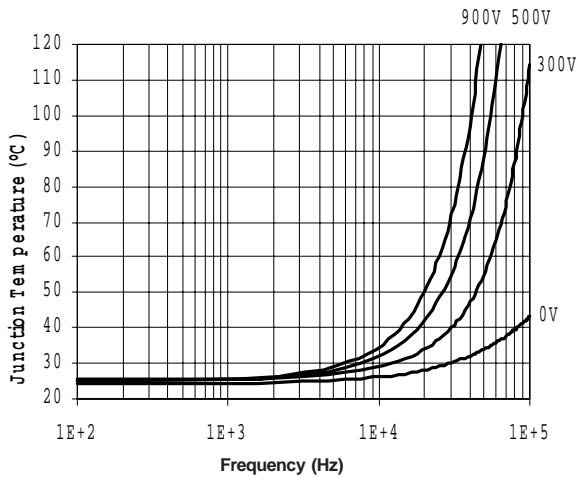


Figure 13. IR2233J Junction Temperature vs Frequency Driving (IRG4PH50KD) Rgate = 10Ω @ Vcc = 15V

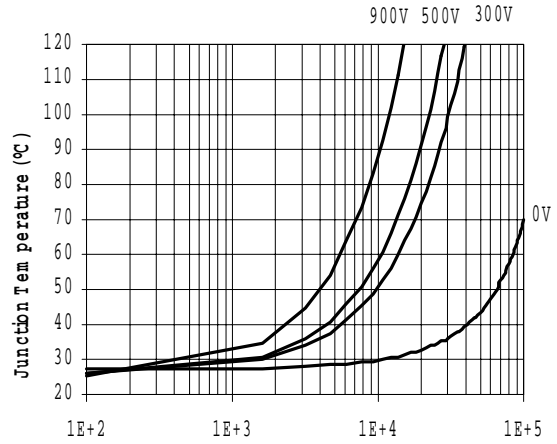
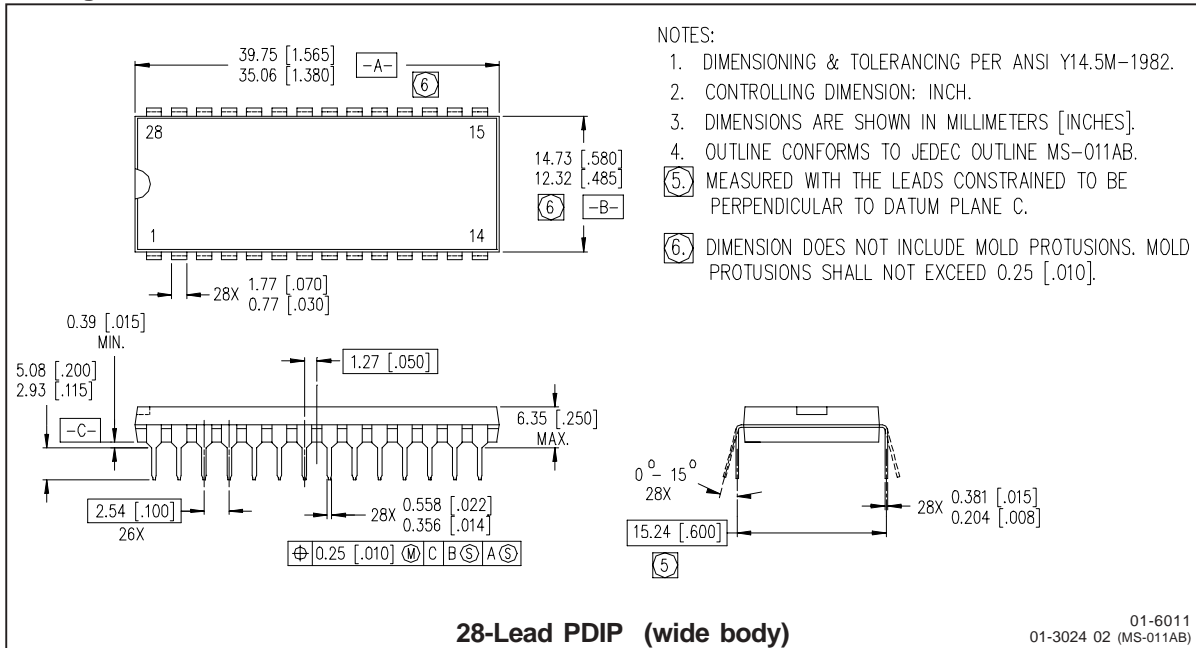
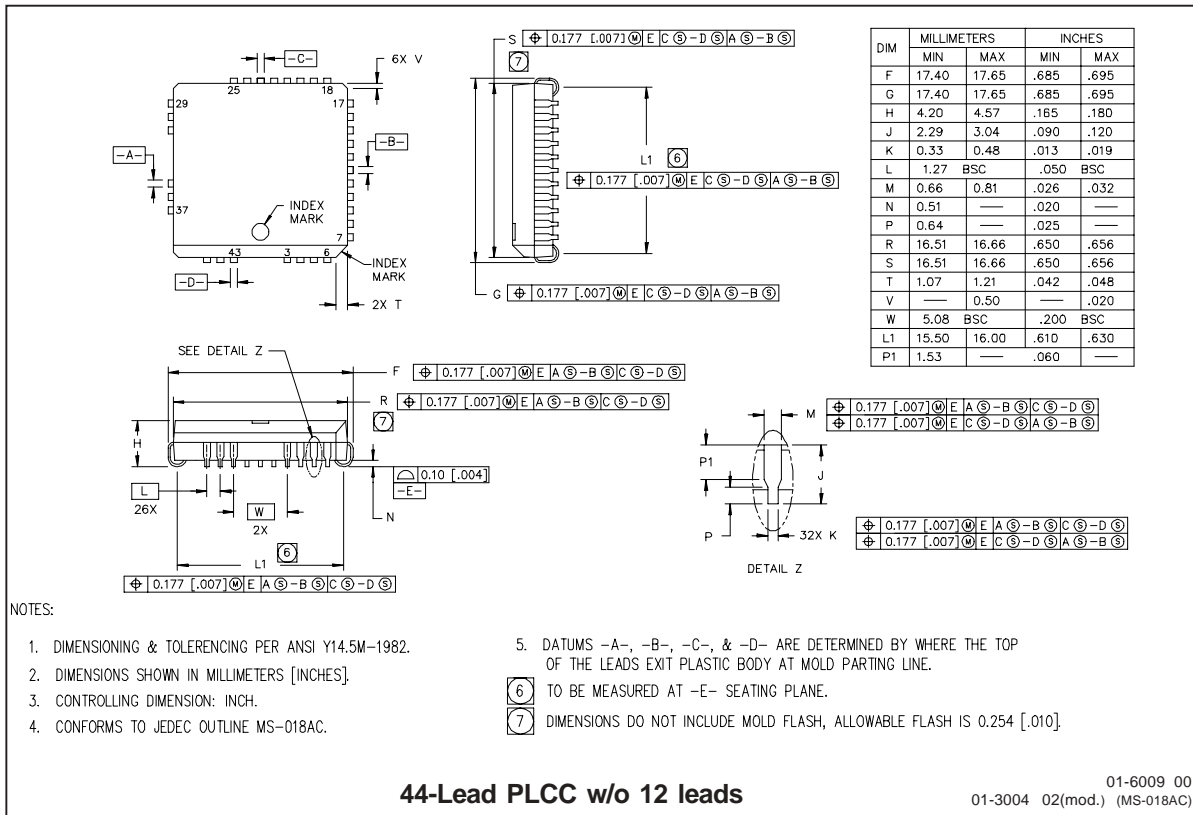
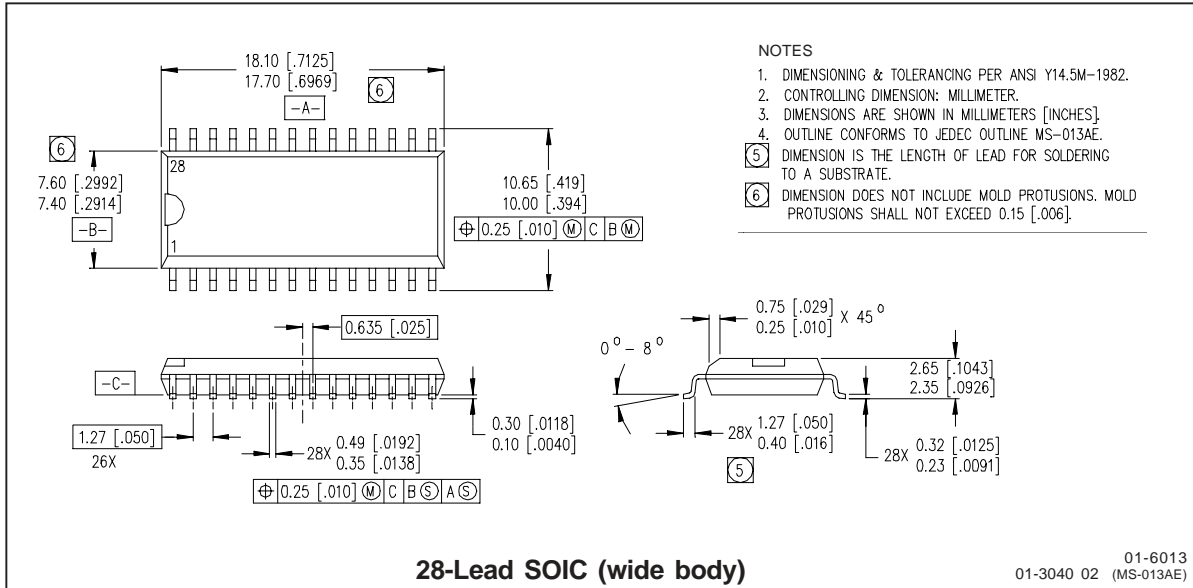


Figure 14. IR2233J Junction Temperature vs Frequency Driving (IRG4ZH71KD) Rgate = 5Ω @ Vcc = 15V

Package Dimensions



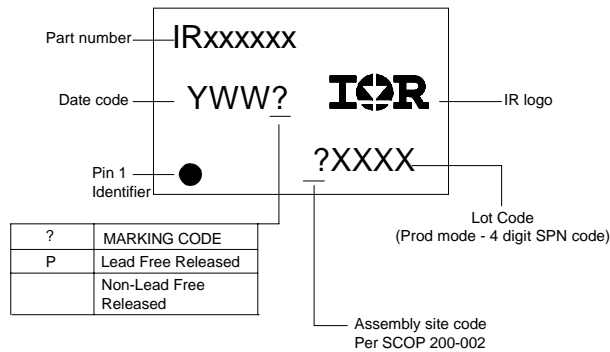
# IR2133/IR2135/IR2233/IR2235(J&S) & (PbF)



# IR2133/IR2135/IR2233/IR2235(J&S) & (PbF)



## LEADFREE PART MARKING INFORMATION



## ORDER INFORMATION

### Basic Part (Non-Lead Free)

- 28-Lead PDIP IR2133 order IR2133
- 28-Lead SOIC IR2133S order IR2133S
- 28-Lead PDIP IR2135 order IR2135
- 28-Lead SOIC IR2135S order IR2135S
- 28-Lead PDIP IR2233 order IR2233
- 28-Lead SOIC IR2233S order IR2233S
- 28-Lead PDIP IR2235 order IR2235
- 28-Lead SOIC IR2235S order IR2235S
- 44-Lead PLCC IR2133J order IR2133J
- 44-Lead PLCC IR2135J order IR2135J
- 44-Lead PLCC IR2233J order IR2233J
- 44-Lead PLCC IR2235J order IR2235J

### Leadfree Part

- 28-Lead PDIP IR2133 order IR2133PbF
- 28-Lead SOIC IR2133S order IR2133SPbF
- 28-Lead PDIP IR2135 order IR2135PbF
- 28-Lead SOIC IR2135S order IR2135SPbF
- 28-Lead PDIP IR2233 Not available at this time
- 28-Lead SOIC IR2233S Not available at this time
- 28-Lead PDIP IR2235 Not available at this time
- 28-Lead SOIC IR2235S Not available at this time
- 44-Lead PLCC IR2133J order IR2133JPbF
- 44-Lead PLCC IR2135J order IR2135JPbF
- 44-Lead PLCC IR2233J Not available at this time
- 44-Lead PLCC IR2235J Not available at this time



IR WORLD HEADQUARTERS: 233 Kansas St., El Segundo, California 90245 Tel: (310) 252-7105

**This product has been qualified per industrial level**  
 Data and specifications subject to change without notice. 4/12/2004