

LM2588 SIMPLE SWITCHER® 5A Flyback Regulator with Shutdown

General Description

The LM2588 series of regulators are monolithic integrated circuits specifically designed for flyback, step-up (boost), and forward converter applications. The device is available in 4 different output voltage versions: 3.3V, 5.0V, 12V, and adjustable.

Requiring a minimum number of external components, these regulators are cost effective, and simple to use. Included in the datasheet are typical circuits of boost and flyback regulators. Also listed are selector guides for diodes and capacitors and a family of standard inductors and flyback transformers designed to work with these switching regulators.

The power switch is a 5.0A NPN device that can stand-off 65V. Protecting the power switch are current and thermal limiting circuits, and an undervoltage lockout circuit. This IC contains an adjustable frequency oscillator that can be programmed up to 200 kHz. The oscillator can also be synchronized with other devices, so that multiple devices can operate at the same switching frequency.

Other features include soft start mode to reduce in-rush current during start up, and current mode control for improved rejection of input voltage and output load transients and cycle-by-cycle current limiting. The device also has a shutdown pin, so that it can be turned off externally. An output voltage tolerance of $\pm 4\%$, within specified input voltages and output load conditions, is guaranteed for the power supply system.

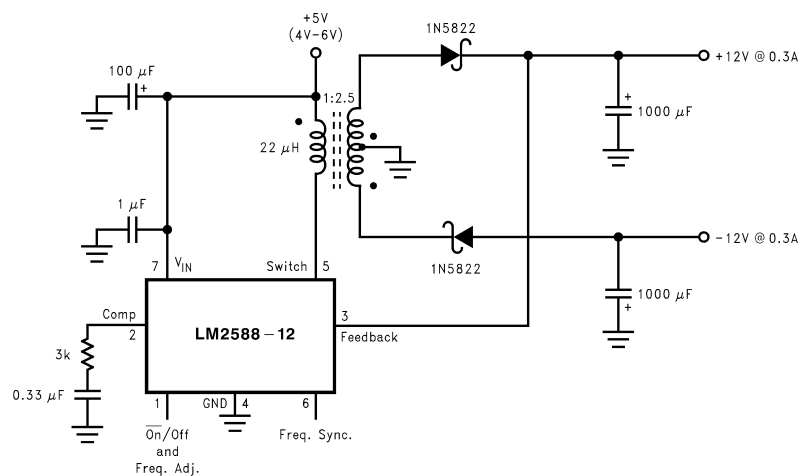
Features

- Requires few external components
- Family of standard inductors and transformers
- NPN output switches 5.0A, can stand off 65V
- Wide input voltage range: 4V to 40V
- Adjustable switching frequency: 100 kHz to 200 kHz
- External shutdown capability
- Draws less than 60 μA when shut down
- Frequency synchronization
- Current-mode operation for improved transient response, line regulation, and current limit
- Internal soft-start function reduces in-rush current during start-up
- Output transistor protected by current limit, under voltage lockout, and thermal shutdown
- System output voltage tolerance of $\pm 4\%$ max over line and load conditions

Typical Applications

- Flyback regulator
- Forward converter
- Multiple-output regulator
- Simple boost regulator

Flyback Regulator



DS012420-1

SIMPLE SWITCHER® and *Switchers Made Simple*® are registered trademarks of National Semiconductor Corporation.

Ordering Information

| Package Type | NSC Package Drawing | Order Number |
|-------------------------------------|---------------------|---|
| 7-Lead TO-220 Bent, Staggered Leads | TA07B | LM2588T-3.3, LM2588T-5.0, LM2588T-12, LM2588T-ADJ |
| 7-Lead TO-263 | TS7B | LM2588S-3.3, LM2588S-5.0, LM2588S-12, LM2588S-ADJ |
| 7-Lead TO-263 Tape and Reel | TS7B | LM2588SX-3.3, LM2588SX-5.0, LM2588SX-12, LM2588SX-ADJ |

Absolute Maximum Ratings (Note 1)

If Military/Aerospace specified devices are required, please contact the National Semiconductor Sales Office/Distributors for availability and specifications.

| | |
|----------------------------|------------------------------------|
| Input Voltage | $-0.4V \leq V_{IN} \leq 45V$ |
| Switch Voltage | $-0.4V \leq V_{SW} \leq 65V$ |
| Switch Current (Note 2) | Internally Limited |
| Compensation Pin Voltage | $-0.4V \leq V_{COMP} \leq 2.4V$ |
| Feedback Pin Voltage | $-0.4V \leq V_{FB} \leq 2 V_{OUT}$ |
| ON /OFF Pin Voltage | $-0.4V \leq V_{SH} \leq 6V$ |
| Sync Pin Voltage | $-0.4V \leq V_{SYNC} \leq 2V$ |
| Power Dissipation (Note 3) | Internally Limited |
| Storage Temperature Range | $-65^{\circ}C$ to $+150^{\circ}C$ |

| | |
|--|-------|
| Lead Temperature (Soldering, 10 sec.) | 260°C |
| Maximum Junction Temperature (Note 3) | 150°C |
| Minimum ESD Rating (C = 100 pF, R = 1.5 kΩ) | 2 kV |

Operating Ratings

| | |
|----------------------------|--|
| Supply Voltage | $4V \leq V_{IN} \leq 40V$ |
| Output Switch Voltage | $0V \leq V_{SW} \leq 60V$ |
| Output Switch Current | $I_{SW} \leq 5.0A$ |
| Junction Temperature Range | $-40^{\circ}C \leq T_J \leq +125^{\circ}C$ |

LM2588-3.3

Electrical Characteristics

Specifications with standard type face are for $T_J = 25^{\circ}C$, and those in **bold type face** apply over full **Operating Temperature Range**. Unless otherwise specified, $V_{IN} = 5V$.

| Symbol | Parameters | Conditions | Typical | Min | Max | Units |
|--|-----------------------------------|--|---------|---------------------|---------------------|-------|
| SYSTEM PARAMETERS Test Circuit of Figure 1 (Note 4) | | | | | | |
| V_{OUT} | Output Voltage | $V_{IN} = 4V$ to $12V$ $I_{LOAD} = 400$ mA to $1.75A$ | 3.3 | 3.17/ 3.14 | 3.43/ 3.46 | V |
| $\frac{\Delta V_{OUT}}{\Delta V_{IN}}$ | Line Regulation | $V_{IN} = 4V$ to $12V$ $I_{LOAD} = 400$ mA | 20 | | 50/ 100 | mV |
| $\frac{\Delta V_{OUT}}{\Delta I_{LOAD}}$ | Load Regulation | $V_{IN} = 12V$ $I_{LOAD} = 400$ mA to $1.75A$ | 20 | | 50/ 100 | mV |
| η | Efficiency | $V_{IN} = 12V$, $I_{LOAD} = 1A$ | 75 | | | % |
| UNIQUE DEVICE PARAMETERS (Note 5) | | | | | | |
| V_{REF} | Output Reference Voltage | Measured at Feedback Pin $V_{COMP} = 1.0V$ | 3.3 | 3.242/ 3.234 | 3.358/ 3.366 | V |
| ΔV_{REF} | Reference Voltage Line Regulation | $V_{IN} = 4V$ to $40V$ | 2.0 | | | mV |
| G_M | Error Amp Transconductance | $I_{COMP} = -30$ μA to $+30$ μA $V_{COMP} = 1.0V$ | 1.193 | 0.678 | 2.259 | mmho |
| A_{VOL} | Error Amp Voltage Gain | $V_{COMP} = 0.5V$ to $1.6V$ $R_{COMP} = 1.0$ MΩ (Note 6) | 260 | 151/ 75 | | V/V |

LM2588-5.0

Electrical Characteristics

Specifications with standard type face are for $T_J = 25^{\circ}C$, and those in **bold type face** apply over full **Operating Temperature Range**. Unless otherwise specified, $V_{IN} = 5V$.

| Symbol | Parameters | Conditions | Typical | Min | Max | Units |
|--|--------------------------|--|---------|---------------------|---------------------|-------|
| SYSTEM PARAMETERS Test Circuit of Figure 1 (Note 4) | | | | | | |
| V_{OUT} | Output Voltage | $V_{IN} = 4V$ to $12V$ $I_{LOAD} = 500$ mA to $1.45A$ | 5.0 | 4.80/ 4.75 | 5.20/ 5.25 | V |
| $\frac{\Delta V_{OUT}}{\Delta V_{IN}}$ | Line Regulation | $V_{IN} = 4V$ to $12V$ $I_{LOAD} = 500$ mA | 20 | | 50/ 100 | mV |
| $\frac{\Delta V_{OUT}}{\Delta I_{LOAD}}$ | Load Regulation | $V_{IN} = 12V$ $I_{LOAD} = 500$ mA to $1.45A$ | 20 | | 50/ 100 | mV |
| η | Efficiency | $V_{IN} = 12V$, $I_{LOAD} = 750$ mA | 80 | | | % |
| UNIQUE DEVICE PARAMETERS (Note 5) | | | | | | |
| V_{REF} | Output Reference Voltage | Measured at Feedback Pin $V_{COMP} = 1.0V$ | 5.0 | 4.913/ 4.900 | 5.088/ 5.100 | V |

LM2588-5.0

Electrical Characteristics (Continued)

Specifications with standard type face are for $T_J = 25^\circ\text{C}$, and those in **bold type face** apply over full **Operating Temperature Range**. Unless otherwise specified, $V_{IN} = 5\text{V}$.

| Symbol | Parameters | Conditions | Typical | Min | Max | Units |
|--|--------------------------------------|---|---------|--------------|--------------|-------|
| UNIQUE DEVICE PARAMETERS (Note 5) | | | | | | |
| ΔV_{REF} | Reference Voltage Line Regulation | $V_{IN} = 4\text{V to } 40\text{V}$ | 3.3 | | | mV |
| G_M | Error Amp Transconductance | $I_{COMP} = -30\ \mu\text{A to } +30\ \mu\text{A}$ $V_{COMP} = 1.0\text{V}$ | 0.750 | 0.447 | 1.491 | mmho |
| A_{VOL} | Error Amp Voltage Gain | $V_{COMP} = 0.5\text{V to } 1.6\text{V}$ $R_{COMP} = 1.0\ \text{M}\Omega$ (Note 6) | 165 | 99/49 | | V/V |

LM2588-12

Electrical Characteristics

Specifications with standard type face are for $T_J = 25^\circ\text{C}$, and those in **bold type face** apply over full **Operating Temperature Range**. Unless otherwise specified, $V_{IN} = 5\text{V}$.

| Symbol | Parameters | Conditions | Typical | Min | Max | Units |
|---|--------------------------------------|---|---------|--------------------|--------------------|-------|
| SYSTEM PARAMETERS Test Circuit of <i>Figure 2</i> (Note 4) | | | | | | |
| V_{OUT} | Output Voltage | $V_{IN} = 4\text{V to } 10\text{V}$ $I_{LOAD} = 300\ \text{mA to } 1.2\text{A}$ | 12.0 | 11.52/11.40 | 12.48/12.60 | V |
| $\Delta V_{OUT}/\Delta V_{IN}$ | Line Regulation | $V_{IN} = 4\text{V to } 10\text{V}$ $I_{LOAD} = 300\ \text{mA}$ | 20 | | 100/200 | mV |
| $\Delta V_{OUT}/\Delta I_{LOAD}$ | Load Regulation | $V_{IN} = 10\text{V}$ $I_{LOAD} = 300\ \text{mA to } 1.2\text{A}$ | 20 | | 100/200 | mV |
| η | Efficiency | $V_{IN} = 10\text{V}$, $I_{LOAD} = 1\text{A}$ | 90 | | | % |
| UNIQUE DEVICE PARAMETERS (Note 5) | | | | | | |
| V_{REF} | Output Reference Voltage | Measured at Feedback Pin $V_{COMP} = 1.0\text{V}$ | 12.0 | 11.79/11.76 | 12.21/12.24 | V |
| ΔV_{REF} | Reference Voltage Line Regulation | $V_{IN} = 4\text{V to } 40\text{V}$ | 7.8 | | | mV |
| G_M | Error Amp Transconductance | $I_{COMP} = -30\ \mu\text{A to } +30\ \mu\text{A}$ $V_{COMP} = 1.0\text{V}$ | 0.328 | 0.186 | 0.621 | mmho |
| A_{VOL} | Error Amp Voltage Gain | $V_{COMP} = 0.5\text{V to } 1.6\text{V}$ $R_{COMP} = 1.0\ \text{M}\Omega$ (Note 6) | 70 | 41/21 | | V/V |

LM2588-ADJ

Electrical Characteristics

Specifications with standard type face are for $T_J = 25^\circ\text{C}$, and those in **bold type face** apply over full **Operating Temperature Range**. Unless otherwise specified, $V_{IN} = 5\text{V}$.

| Symbol | Parameters | Conditions | Typical | Min | Max | Units |
|---|-----------------|--|---------|--------------------|--------------------|-------|
| SYSTEM PARAMETERS Test Circuit of <i>Figure 2</i> (Note 4) | | | | | | |
| V_{OUT} | Output Voltage | $V_{IN} = 4\text{V to } 10\text{V}$ $I_{LOAD} = 300\ \text{mA to } 1.2\text{A}$ | 12.0 | 11.52/11.40 | 12.48/12.60 | V |
| $\Delta V_{OUT}/\Delta V_{IN}$ | Line Regulation | $V_{IN} = 4\text{V to } 10\text{V}$ $I_{LOAD} = 300\ \text{mA}$ | 20 | | 100/200 | mV |
| $\Delta V_{OUT}/\Delta I_{LOAD}$ | Load Regulation | $V_{IN} = 10\text{V}$ $I_{LOAD} = 300\ \text{mA to } 1.2\text{A}$ | 20 | | 100/200 | mV |
| η | Efficiency | $V_{IN} = 10\text{V}$, $I_{LOAD} = 1\text{A}$ | 90 | | | % |

LM2588-ADJ

Electrical Characteristics (Continued)

Specifications with standard type face are for $T_J = 25^\circ\text{C}$, and those in **bold type face** apply over full **Operating Temperature Range**. Unless otherwise specified, $V_{IN} = 5\text{V}$.

| Symbol | Parameters | Conditions | Typical | Min | Max | Units |
|--|-----------------------------------|---|---------|---------------------|---------------------|-------|
| UNIQUE DEVICE PARAMETERS (Note 5) | | | | | | |
| V_{REF} | Output Reference Voltage | Measured at Feedback Pin $V_{COMP} = 1.0\text{V}$ | 1.230 | 1.208/ 1.205 | 1.252/ 1.255 | V |
| ΔV_{REF} | Reference Voltage Line Regulation | $V_{IN} = 4\text{V to } 40\text{V}$ | 1.5 | | | mV |
| G_M | Error Amp Transconductance | $I_{COMP} = -30\ \mu\text{A to } +30\ \mu\text{A}$ $V_{COMP} = 1.0\text{V}$ | 3.200 | 1.800 | 6.000 | mmho |
| A_{VOL} | Error Amp Voltage Gain | $V_{COMP} = 0.5\text{V to } 1.6\text{V}$ $R_{COMP} = 1.0\ \text{M}\Omega$ (Note 6) | 670 | 400/ 200 | | V/V |
| I_B | Error Amp Input Bias Current | $V_{COMP} = 1.0\text{V}$ | 125 | | 425/ 600 | nA |

All Output Voltage Versions

Electrical Characteristics (Note 5)

Specifications with standard type face are for $T_J = 25^\circ\text{C}$, and those in **bold type face** apply over full **Operating Temperature Range**. Unless otherwise specified, $V_{IN} = 5\text{V}$.

| Symbol | Parameters | Conditions | Typical | Min | Max | Units |
|-----------|---|--|---------|-----------------|-------------------|---------------|
| I_S | Input Supply Current | Switch Off (Note 8) | 11 | | 15.5/ 16.5 | mA |
| | | $I_{SWITCH} = 3.0\text{A}$ | 85 | | 140/ 165 | mA |
| $I_{S/D}$ | Shutdown Input Supply Current | $V_{SH} = 3\text{V}$ | 16 | | 100/ 300 | μA |
| V_{UV} | Input Supply Undervoltage Lockout | $R_{LOAD} = 100\Omega$ | 3.30 | 3.05 | 3.75 | V |
| f_O | Oscillator Frequency | Measured at Switch Pin $R_{LOAD} = 100\Omega$, $V_{COMP} = 1.0\text{V}$ Freq. Adj. Pin Open (Pin 1) | 100 | 85/ 75 | 115/ 125 | kHz |
| | | $R_{SET} = 22\ \text{k}\Omega$ | 200 | | | kHz |
| f_{SC} | Short-Circuit Frequency | Measured at Switch Pin $R_{LOAD} = 100\Omega$ $V_{FEEDBACK} = 1.15\text{V}$ | 25 | | | kHz |
| V_{EAO} | Error Amplifier Output Swing | Upper Limit (Note 7) | 2.8 | 2.6/ 2.4 | | V |
| | | Lower Limit (Note 8) | 0.25 | | 0.40/ 0.55 | V |
| I_{EAO} | Error Amp Output Current (Source or Sink) | (Note 9) | 165 | 110/ 70 | 260/ 320 | μA |
| I_{SS} | Soft Start Current | $V_{FEEDBACK} = 0.92\text{V}$ $V_{COMP} = 1.0\text{V}$ | 11.0 | 8.0/ 7.0 | 17.0/ 19.0 | μA |
| D_{MAX} | Maximum Duty Cycle | $R_{LOAD} = 100\Omega$ (Note 7) | 98 | 93/ 90 | | % |
| I_L | Switch Leakage Current | Switch Off $V_{SWITCH} = 60\text{V}$ | 15 | | 300/ 600 | μA |
| V_{SUS} | Switch Sustaining Voltage | $dV/dT = 1.5\text{V/ns}$ | | 65 | | V |

All Output Voltage Versions Electrical Characteristics (Note 5) (Continued)

Specifications with standard type face are for $T_J = 25^\circ\text{C}$, and those in **bold type face** apply over full **Operating Temperature Range**. Unless otherwise specified, $V_{IN} = 5\text{V}$.

| Symbol | Parameters | Conditions | Typical | Min | Max | Units |
|---------------|--------------------------------------|--|---------|--------------------|--------------------|--------------------|
| V_{SAT} | Switch Saturation Voltage | $I_{SWITCH} = 5.0\text{A}$ | 0.7 | | 1.1/1.4 | V |
| I_{CL} | NPN Switch Current Limit | | 6.5 | 5.0 | 9.5 | A |
| V_{STH} | Synchronization Threshold Voltage | $F_{SYNC} = 200\text{ kHz}$ $V_{COMP} = 1\text{V}$, $V_{IN} = 5\text{V}$ | 0.75 | 0.625/ 0.40 | 0.875/ 1.00 | V |
| I_{SYNC} | Synchronization Pin Current | $V_{IN} = 5\text{V}$ $V_{COMP} = 1\text{V}$, $V_{SYNC} = V_{STH}$ | 100 | | 200 | μA |
| V_{SHTH} | ON/OFF Pin (Pin 1) Threshold Voltage | $V_{COMP} = 1\text{V}$ (Note 10) | 1.6 | 1.0/ 0.8 | 2.2/ 2.4 | V |
| I_{SH} | ON/OFF Pin (Pin 1) Current | $V_{COMP} = 1\text{V}$ $V_{SH} = V_{SHTH}$ | 40 | 15/ 10 | 65/ 75 | μA |
| θ_{JA} | Thermal Resistance | T Package, Junction to Ambient (Note 11) | 65 | | | $^\circ\text{C/W}$ |
| θ_{JA} | | T Package, Junction to Ambient (Note 12) | 45 | | | |
| θ_{JC} | | T Package, Junction to Case | 2 | | | |
| θ_{JA} | | S Package, Junction to Ambient (Note 13) | 56 | | | |
| θ_{JA} | | S Package, Junction to Ambient (Note 14) | 35 | | | |
| θ_{JA} | | S Package, Junction to Ambient (Note 15) | 26 | | | |
| θ_{JC} | | S Package, Junction to Case | 2 | | | |

Note 1: Absolute Maximum Ratings indicate limits beyond which damage to the device may occur. These ratings apply when the current is limited to less than 1.2 mA for pins 1, 2, 3, and 6. Operating ratings indicate conditions for which the device is intended to be functional, but device parameter specifications may not be guaranteed under these conditions. For guaranteed specifications and test conditions, see the Electrical Characteristics.

Note 2: Note that switch current and output current are not identical in a step-up regulator. Output current cannot be internally limited when the LM2588 is used as a step-up regulator. To prevent damage to the switch, the output current must be externally limited to 5A. However, output current is internally limited when the LM2588 is used as a flyback regulator (see the Application Hints section for more information).

Note 3: The junction temperature of the device (T_J) is a function of the ambient temperature (T_A), the junction-to-ambient thermal resistance (θ_{JA}), and the power dissipation of the device (P_D). A thermal shutdown will occur if the temperature exceeds the maximum junction temperature of the device: $P_D \times \theta_{JA} + T_{A(MAX)} \geq T_{J(MAX)}$. For a safe thermal design, check that the maximum power dissipated by the device is less than: $P_D \leq [T_{J(MAX)} - T_{A(MAX)}] / \theta_{JA}$. When calculating the maximum allowable power dissipation, derate the maximum junction temperature — this ensures a margin of safety in the thermal design.

Note 4: External components such as the diode, inductor, input and output capacitors can affect switching regulator performance. When the LM2588 is used as shown in *Figure 1* and *Figure 2*, system performance will be as specified by the system parameters.

Note 5: All room temperature limits are 100% production tested, and all limits at temperature extremes are guaranteed via correlation using standard Statistical Quality Control (SQC) methods.

Note 6: A 1.0 M Ω resistor is connected to the compensation pin (which is the error amplifier output) to ensure accuracy in measuring A_{VOL} .

Note 7: To measure this parameter, the feedback voltage is set to a low value, depending on the output version of the device, to force the error amplifier output high and the switch on.

Note 8: To measure this parameter, the feedback voltage is set to a high value, depending on the output version of the device, to force the error amplifier output low and the switch off.

Note 9: To measure the worst-case error amplifier output current, the LM2588 is tested with the feedback voltage set to its low value (specified in (Note 7)) and at its high value (specified in (Note 8)).

Note 10: When testing the minimum value, do not sink current from this pin — isolate it with a diode. If current is drawn from this pin, the frequency adjust circuit will begin operation (see *Figure 41*).

Note 11: Junction to ambient thermal resistance (no external heat sink) for the 7 lead TO-220 package mounted vertically, with 1/2 inch leads in a socket, or on a PC board with minimum copper area.

Note 12: Junction to ambient thermal resistance (no external heat sink) for the 7 lead TO-220 package mounted vertically, with 1/2 inch leads soldered to a PC board containing approximately 4 square inches of (1 oz.) copper area surrounding the leads.

Note 13: Junction to ambient thermal resistance for the 7 lead TO-263 mounted horizontally against a PC board area of 0.136 square inches (the same size as the TO-263 package) of 1 oz. (0.0014 in. thick) copper.

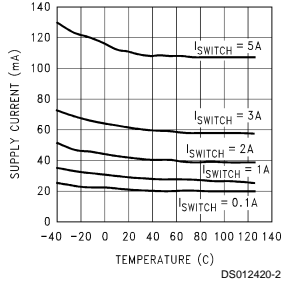
Note 14: Junction to ambient thermal resistance for the 7 lead TO-263 mounted horizontally against a PC board area of 0.4896 square inches (3.6 times the area of the TO-263 package) of 1 oz. (0.0014 in. thick) copper.

All Output Voltage Versions Electrical Characteristics (Note 5) (Continued)

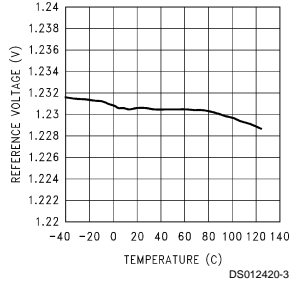
Note 15: Junction to ambient thermal resistance for the 7 lead TO-263 mounted horizontally against a PC board copper area of 1.0064 square inches (7.4 times the area of the TO-263 package) of 1 oz. (0.0014 in. thick) copper. Additional copper area will reduce thermal resistance further. See the thermal model in Switchers Made Simple® software.

Typical Performance Characteristics

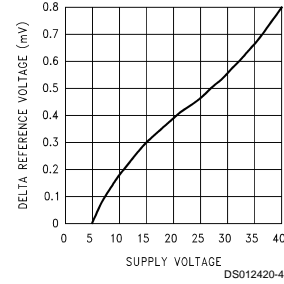
Supply Current vs Temperature



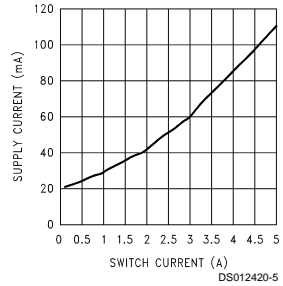
Reference Voltage vs Temperature



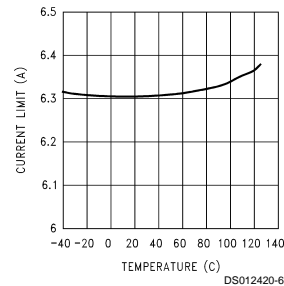
ΔReference Voltage vs Supply Voltage



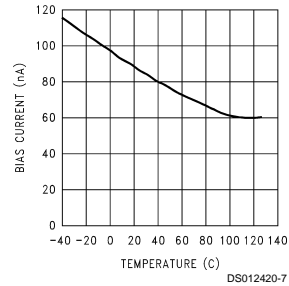
Supply Current vs Switch Current



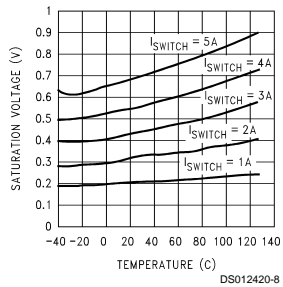
Current Limit vs Temperature



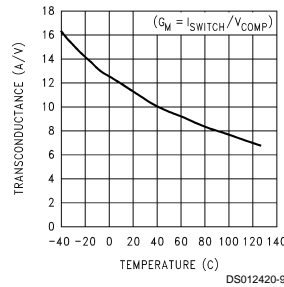
Feedback Pin Bias Current vs Temperature



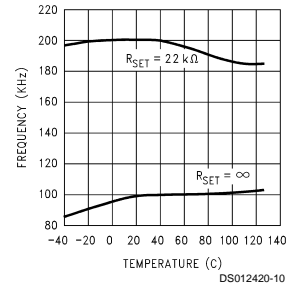
Switch Saturation Voltage vs Temperature



Switch Transconductance vs Temperature

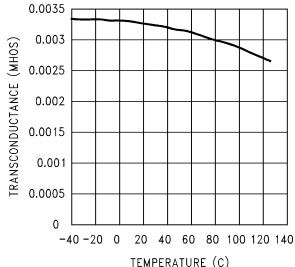


Oscillator Frequency vs Temperature

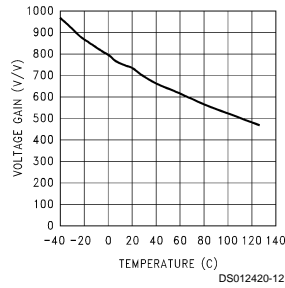


Typical Performance Characteristics (Continued)

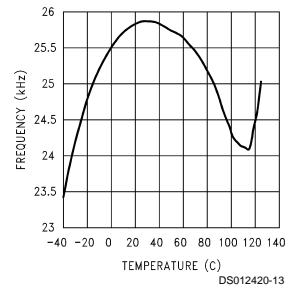
Error Amp Transconductance vs Temperature



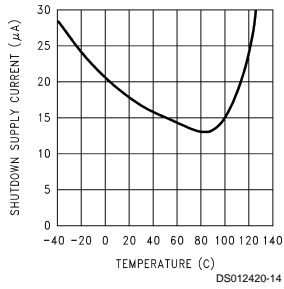
Error Amp Voltage Gain vs Temperature



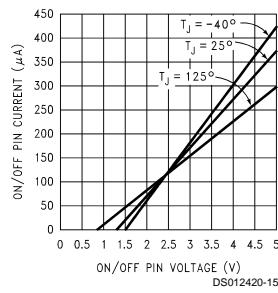
Short Circuit Frequency vs Temperature



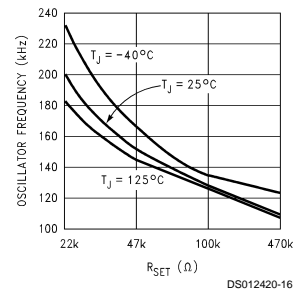
Shutdown Supply Current vs Temperature



ON /OFF Pin Current vs Voltage

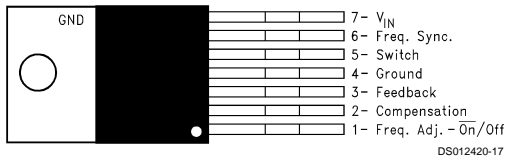


Oscillator Frequency vs Resistance

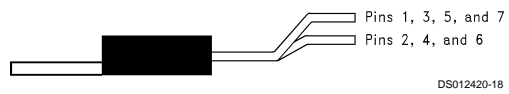


Connection Diagrams

**Bent, Staggered Leads
7-Lead TO-220 (T)
Top View**

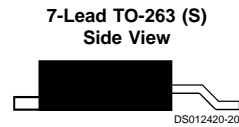
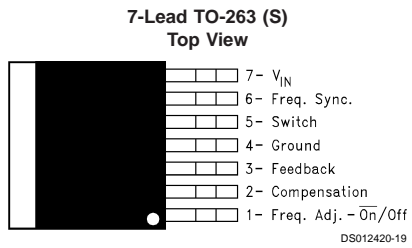


**Bent, Staggered Leads
7-Lead TO-220 (T)
Side View**



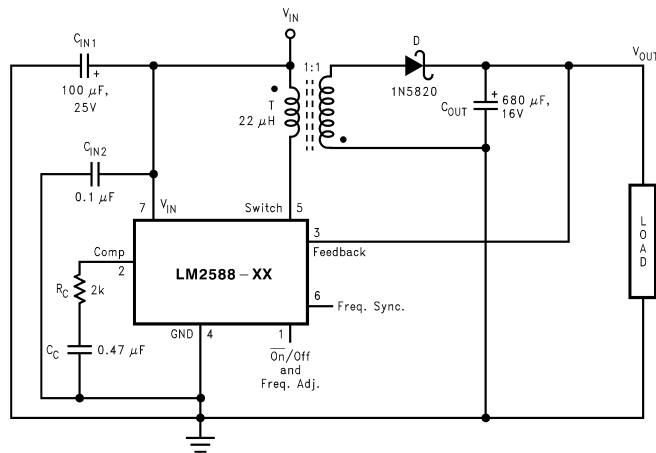
**Order Number LM2588T-3.3, LM2588T-5.0,
LM2588T-12 or LM2588T-ADJ
See NS Package Number TA07B**

Connection Diagrams (Continued)



**Order Number LM2588S-3.3, LM2588S-5.0,
LM2588S-12 or LM2588S-ADJ
Tape and Reel Order Number LM2588SX-3.3,
LM2588SX-5.0, LM2588SX-12 or LM2588SX-ADJ
See NS Package Number TS7B**

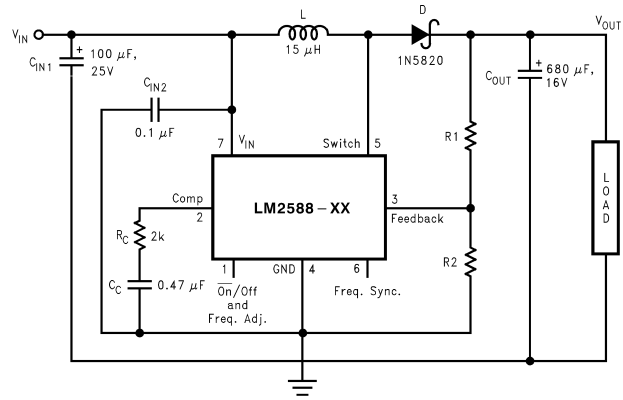
Test Circuits



C_{IN1} — 100 μF , 25V Aluminum Electrolytic
 C_{IN2} — 0.1 μF Ceramic
T — 22 μH , 1:1 Schott #67141450
D — 1N5820
 C_{OUT} — 680 μF , 16V Aluminum Electrolytic
 C_C — 0.47 μF Ceramic
 R_C — 2k

FIGURE 1. LM2588-3.3 and LM2588-5.0

Test Circuits (Continued)

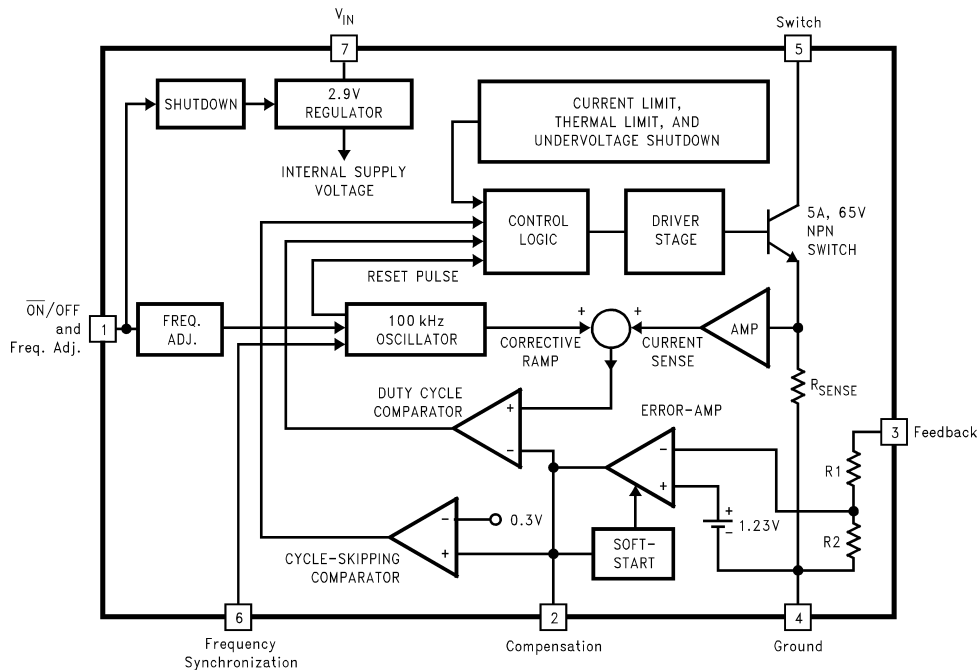


DS012420-22

C_{IN1} — 100 μ F, 25V Aluminum Electrolytic
 C_{IN2} — 0.1 μ F Ceramic
 L — 15 μ H, Renco #RL-5472-5
 D — 1N5820
 C_{OUT} — 680 μ F, 16V Aluminum Electrolytic
 C_C — 0.47 μ F Ceramic
 R_C — 2k
 For 12V Devices: R_1 = Short (0 Ω) and
 R_2 = Open
 For ADJ Devices: R_1 = 48.75k, $\pm 0.1\%$ and
 R_2 = 5.62k, $\pm 0.1\%$

FIGURE 2. LM2588-12 and LM2588-ADJ

Block Diagram



For Fixed Versions
 3.3V, $R_1 = 3.4k$, $R_2 = 2k$
 5.0V, $R_1 = 6.15k$, $R_2 = 2k$
 12V, $R_1 = 8.73k$, $R_2 = 1k$
 For Adj. Version
 $R_1 = \text{Short } (0\Omega)$, $R_2 = \text{Open}$

DS012420-23

FIGURE 3.

Flyback Regulator Operation

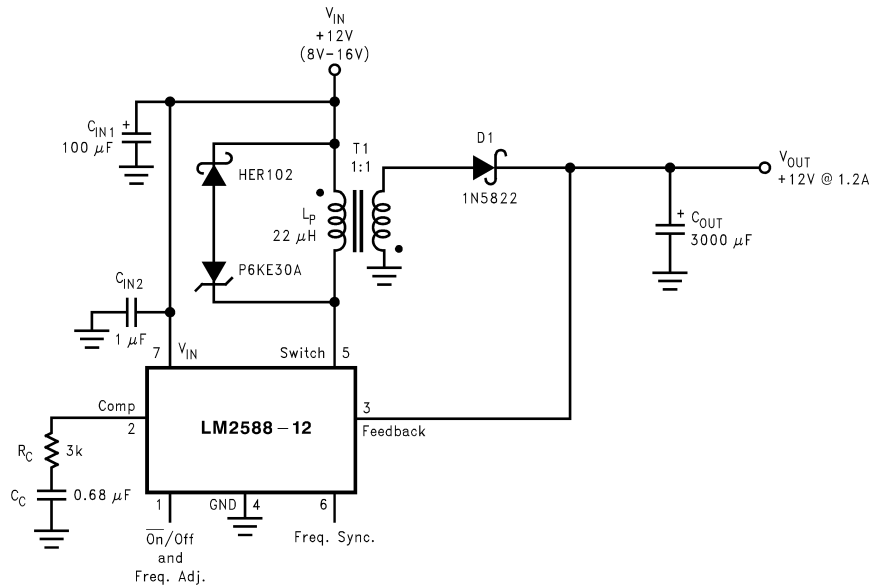
The LM2588 is ideally suited for use in the flyback regulator topology. The flyback regulator can produce a single output voltage, such as the one shown in Figure 4, or multiple output voltages. In Figure 4, the flyback regulator generates an output voltage that is inside the range of the input voltage. This feature is unique to flyback regulators and cannot be duplicated with buck or boost regulators.

The operation of a flyback regulator is as follows (refer to Figure 4): when the switch is on, current flows through the primary winding of the transformer, T1, storing energy in the magnetic field of the transformer. Note that the primary and secondary windings are out of phase, so no current flows through the secondary when current flows through the primary. When the switch turns off, the magnetic field col-

lapses, reversing the voltage polarity of the primary and secondary windings. Now rectifier D1 is forward biased and current flows through it, releasing the energy stored in the transformer. This produces voltage at the output.

The output voltage is controlled by modulating the peak switch current. This is done by feeding back a portion of the output voltage to the error amp, which amplifies the difference between the feedback voltage and a 1.230V reference. The error amp output voltage is compared to a ramp voltage proportional to the switch current (i.e., inductor current during the switch on time). The comparator terminates the switch on time when the two voltages are equal, thereby controlling the peak switch current to maintain a constant output voltage.

Flyback Regulator Operation (Continued)

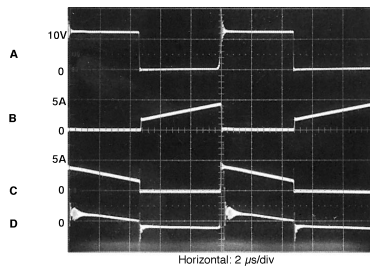


DS012420-24

As shown in Figure 4, the LM2588 can be used as a flyback regulator by using a minimum number of external components. The switching waveforms of this regulator are shown in Figure 5. Typical Performance Characteristics observed during the operation of this circuit are shown in Figure 6.

FIGURE 4. 12V Flyback Regulator Design Example

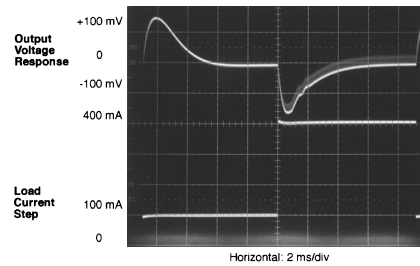
Typical Performance Characteristics



DS012420-60

- A: Switch Voltage, 10V/div
- B: Switch Current, 5A/div
- C: Output Rectifier Current, 5A/div
- D: Output Ripple Voltage, 100 mV/div
AC-Coupled

FIGURE 5. Switching Waveforms



DS012420-61

FIGURE 6. V_{OUT} Response to Load Current Step

Typical Flyback Regulator Applications

Figure 7 through 12 show six typical flyback applications, varying from single output to triple output. Each drawing contains the part number(s) and manufacturer(s) for every component except the transformer. For the transformer part numbers and manufacturers' names, see the table in Figure

13. For applications with different output voltages—requiring the LM2588-ADJ—or different output configurations that do not match the standard configurations, refer to the *Switchers Made Simple™* software.

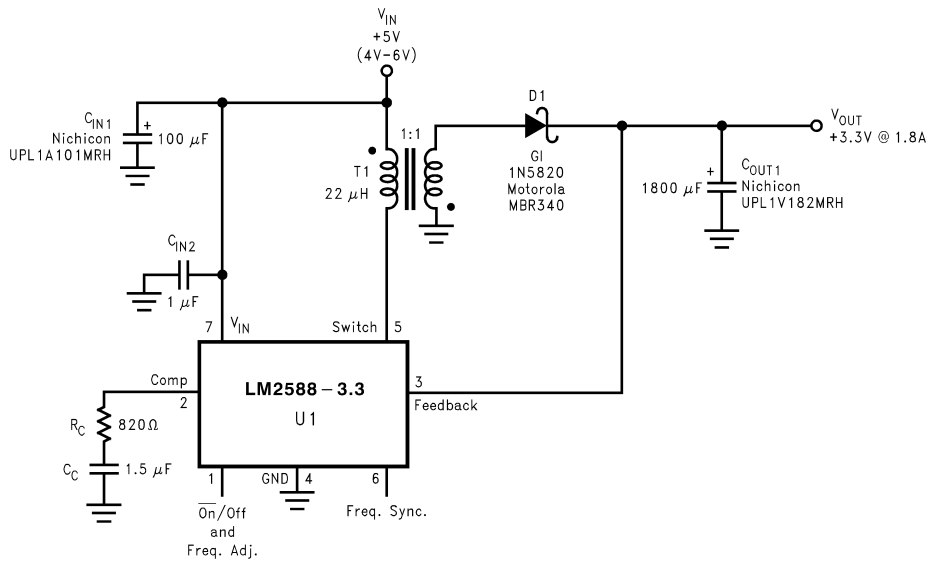


FIGURE 7. Single-Output Flyback Regulator

DS012420-25

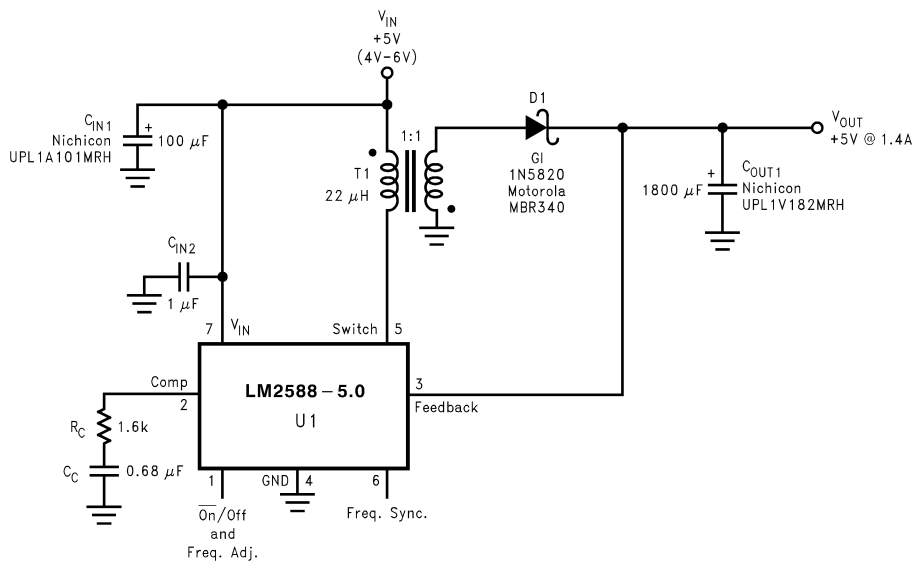
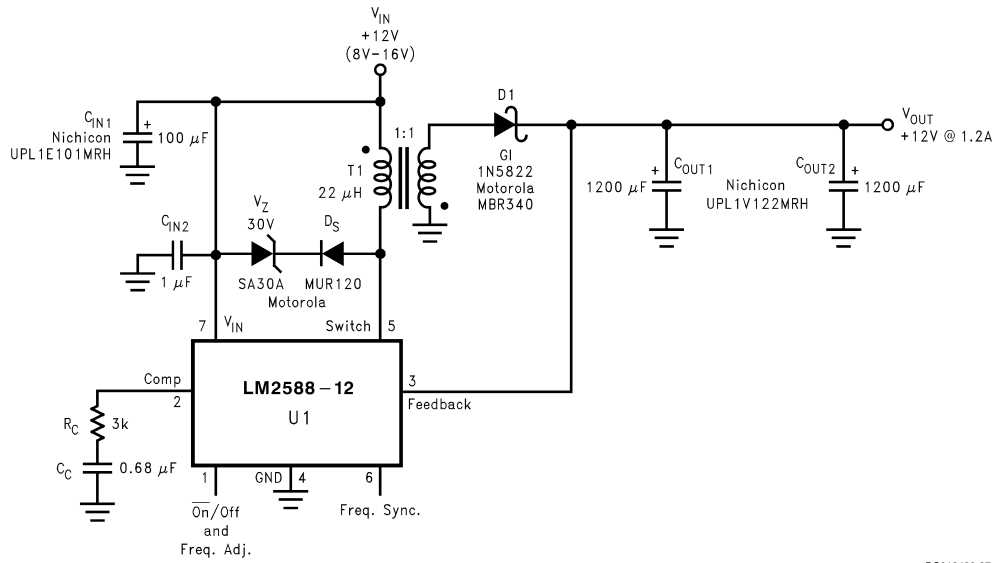


FIGURE 8. Single-Output Flyback Regulator

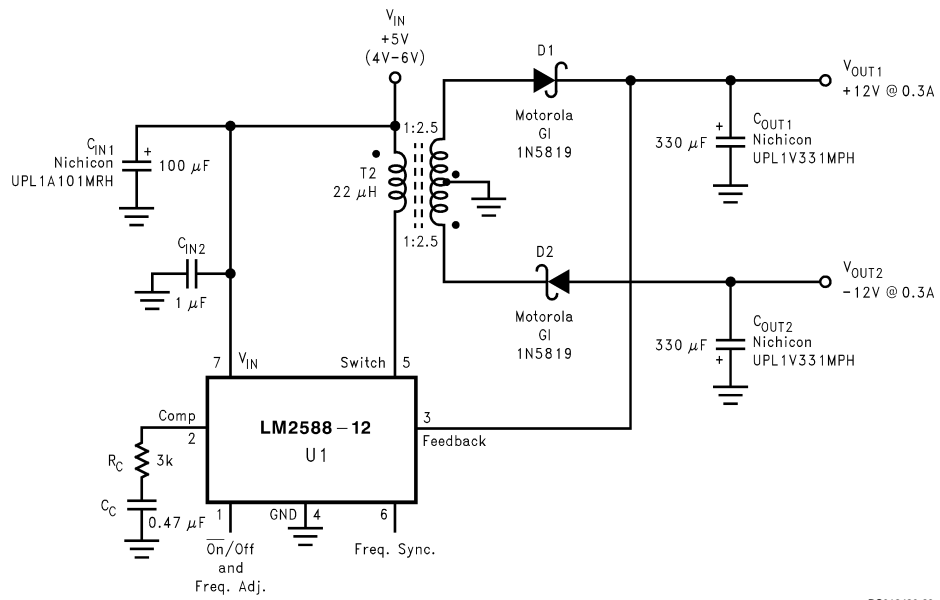
DS012420-26

Typical Flyback Regulator Applications (Continued)



DS012420-27

FIGURE 9. Single-Output Flyback Regulator



DS012420-28

FIGURE 10. Dual-Output Flyback Regulator

Typical Flyback Regulator Applications (Continued)

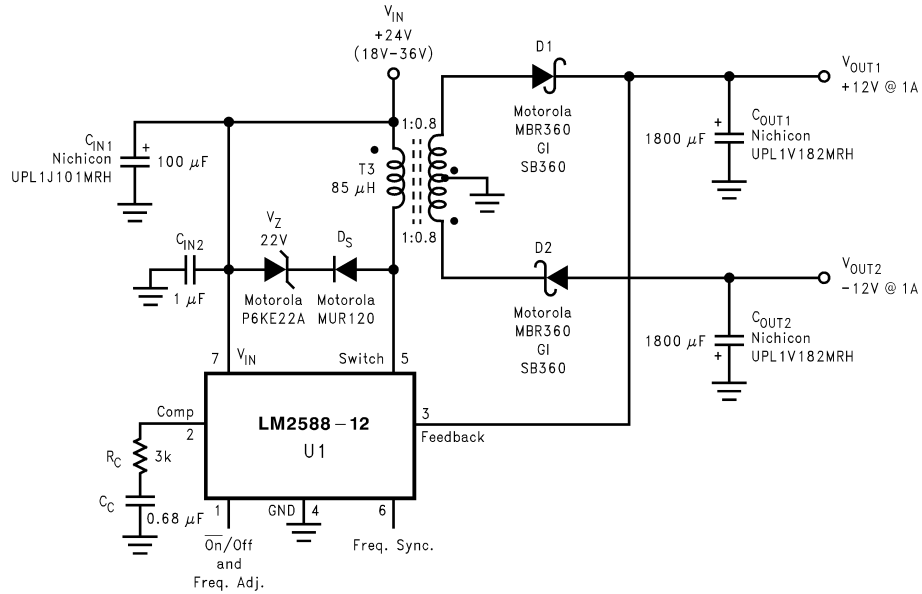


FIGURE 11. Dual-Output Flyback Regulator

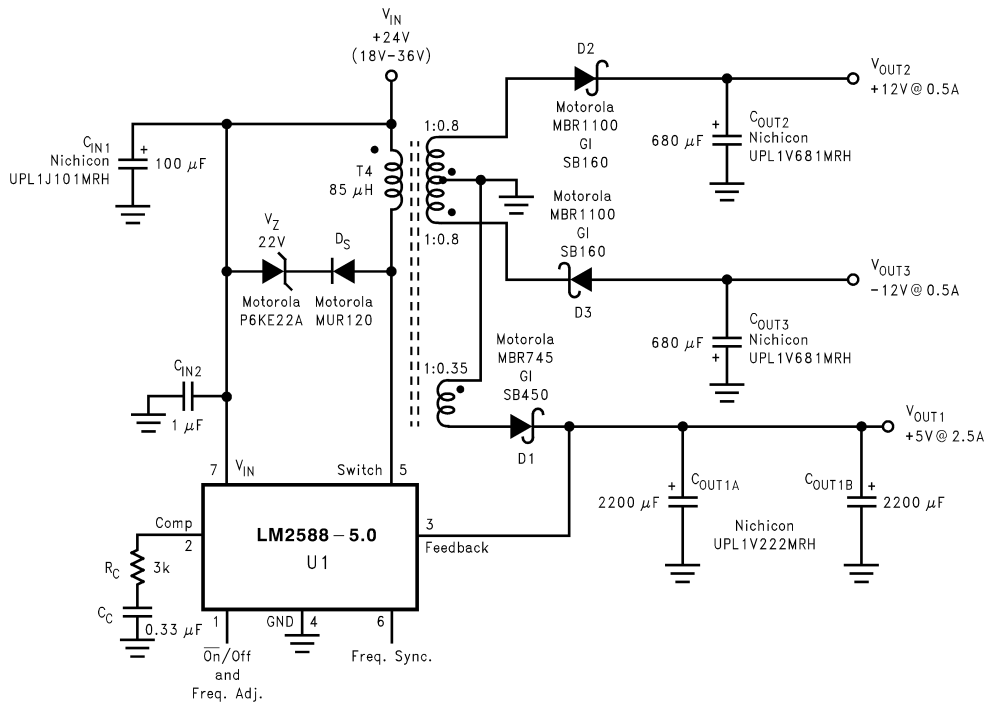


FIGURE 12. Triple-Output Flyback Regulator

Typical Flyback Regulator Applications (Continued)

Transformer Selection (T)

Figure 13 lists the standard transformers available for flyback regulator applications. Included in the table are the turns ratio(s) for each transformer, as well as the output voltages, input voltage ranges, and the maximum load currents for each circuit.

| Applications | Figure 7 | Figure 8 | Figure 9 | Figure 10 | Figure 11 | Figure 12 |
|---------------------|-----------|-----------|-----------|-----------|-----------|-----------|
| Transformers | T1 | T1 | T1 | T2 | T3 | T4 |
| V_{IN} | 4V–6V | 4V–6V | 8V–16V | 4V–6V | 18V–36V | 18V–36V |
| V_{OUT1} | 3.3V | 5V | 12V | 12V | 12V | 5V |
| I_{OUT1} (Max) | 1.8A | 1.4A | 1.2A | 0.3A | 1A | 2.5A |
| N_1 | 1 | 1 | 1 | 2.5 | 0.8 | 0.35 |
| V_{OUT2} | | | | -12V | -12V | 12V |
| I_{OUT2} (Max) | | | | 0.3A | 1A | 0.5A |
| N_2 | | | | 2.5 | 0.8 | 0.8 |
| V_{OUT3} | | | | | | -12V |
| I_{OUT3} (Max) | | | | | | 0.5A |
| N_3 | | | | | | 0.8 |

FIGURE 13. Transformer Selection Table

| Transformer Type | Manufacturers' Part Numbers | | | | |
|------------------|-----------------------------|-----------------------------------|-------------------------------|-----------------|------------------|
| | Coilcraft (Note 16) | Coilcraft (Note 16) Surface Mount | Pulse (Note 17) Surface Mount | Renco (Note 18) | Schott (Note 19) |
| T1 | Q4434-B | Q4435-B | PE-68411 | RL-5530 | 67141450 |
| T2 | Q4337-B | Q4436-B | PE-68412 | RL-5531 | 67140860 |
| T3 | Q4343-B | — | PE-68421 | RL-5534 | 67140920 |
| T4 | Q4344-B | — | PE-68422 | RL-5535 | 67140930 |

Note 16: Coilcraft Inc., Phone: (800) 322-2645

1102 Silver Lake Road, Cary, IL 60013: Fax: (708) 639-1469

European Headquarters, 21 Napier Place: Phone: +44 1236 730 595

Wardpark North, Cumbernauld, Scotland G68 0LL: Fax: +44 1236 730 627

Note 17: Pulse Engineering Inc., Phone: (619) 674-8100

12220 World Trade Drive, San Diego, CA 92128: Fax: (619) 674-8262

European Headquarters, Dunmore Road: Phone: +353 93 24 107

Tuam, Co. Galway, Ireland: Fax: +353 93 24 459

Note 18: Renco Electronics Inc., Phone: (800) 645-5828

60 Jeffrym Blvd. East, Deer Park, NY 11729: Fax: (516) 586-5562

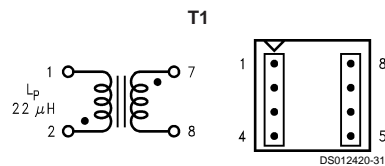
Note 19: Schott Corp., Phone: (612) 475-1173

1000 Parkers Lane Road, Wayzata, MN 55391: Fax: (612) 475-1786

FIGURE 14. Transformer Manufacturer Guide

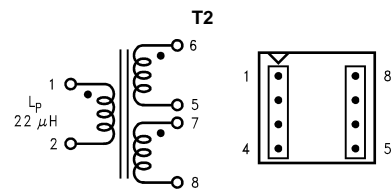
Transformer Footprints

Figure 15 through 32 show the footprints of each transformer, listed in Figure 14.



Top View

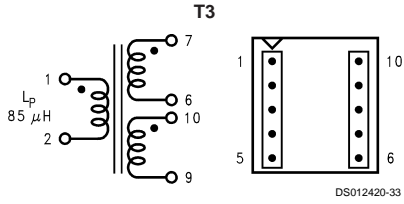
FIGURE 15. Coilcraft Q4434-B



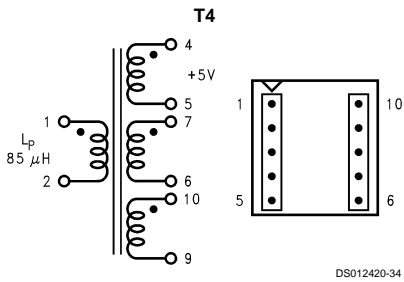
Top View

FIGURE 16. Coilcraft Q4337-B

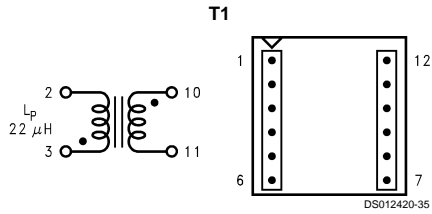
Typical Flyback Regulator Applications (Continued)



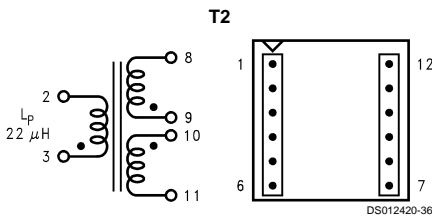
Top View
FIGURE 17. Coilcraft Q4343-B



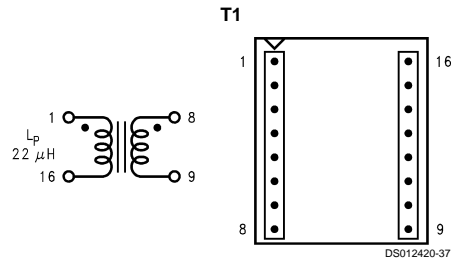
Top View
FIGURE 18. Coilcraft Q4344-B



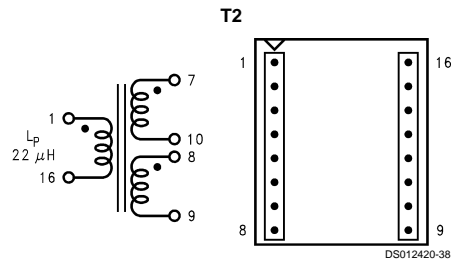
Top View
FIGURE 19. Coilcraft Q4435-B
(Surface Mount)



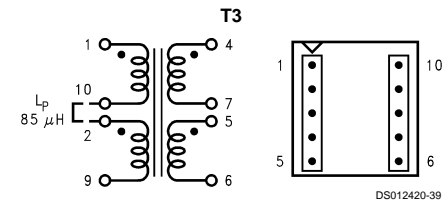
Top View
FIGURE 20. Coilcraft Q4436-B
(Surface Mount)



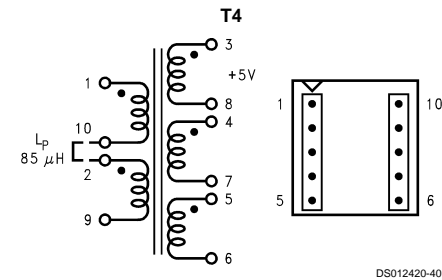
Top View
FIGURE 21. Pulse PE-68411
(Surface Mount)



Top View
FIGURE 22. Pulse PE-68412
(Surface Mount)

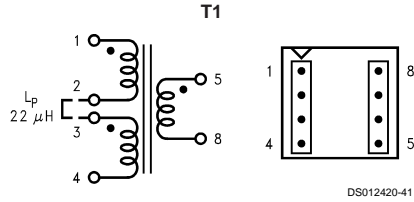


Top View
FIGURE 23. Pulse PE-68421
(Surface Mount)



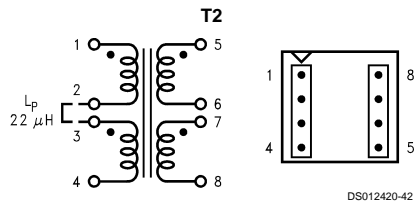
Top View
FIGURE 24. Pulse PE-68422
(Surface Mount)

Typical Flyback Regulator Applications (Continued)



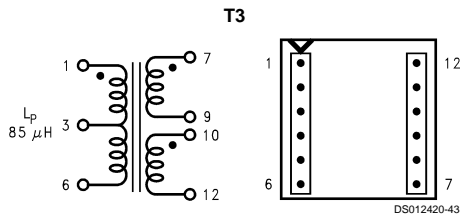
Top View

FIGURE 25. Renco RL-5530



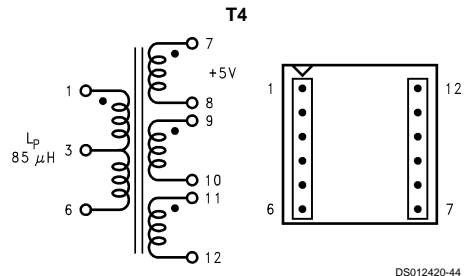
Top View

FIGURE 26. Renco RL-5531



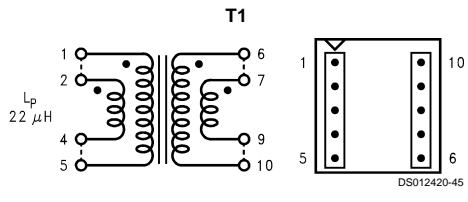
Top View

FIGURE 27. Renco RL-5534



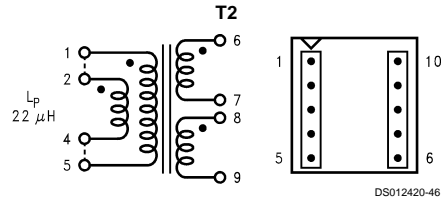
Top View

FIGURE 28. Renco RL-5535



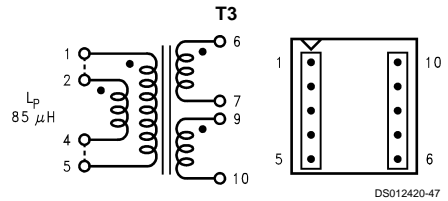
Top View

FIGURE 29. Schott 67141450



Top View

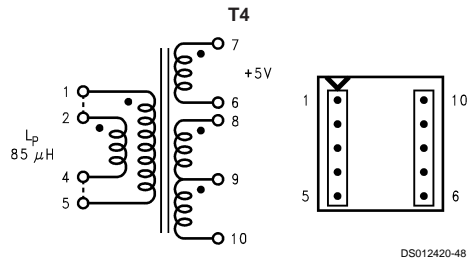
FIGURE 30. Schott 67140860



Top View

FIGURE 31. Schott 67140920

Typical Flyback Regulator Applications (Continued)



DS012420-48

Top View

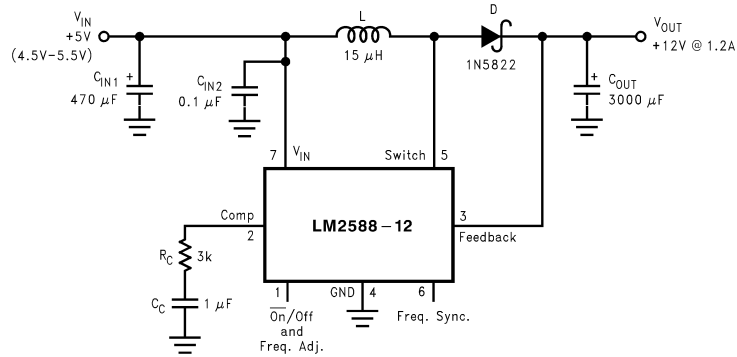
FIGURE 32. Schott 67140930

Step-Up (Boost) Regulator Operation

Figure 33 shows the LM2588 used as a step-up (boost) regulator. This is a switching regulator that produces an output voltage greater than the input supply voltage.

A brief explanation of how the LM2588 Boost Regulator works is as follows (refer to Figure 33). When the NPN switch turns on, the inductor current ramps up at the rate of V_{IN}/L , storing energy in the inductor. When the switch turns

off, the lower end of the inductor flies above V_{IN} , discharging its current through diode (D) into the output capacitor (C_{OUT}) at a rate of $(V_{OUT} - V_{IN})/L$. Thus, energy stored in the inductor during the switch on time is transferred to the output during the switch off time. The output voltage is controlled by adjusting the peak switch current, as described in the flyback regulator section.

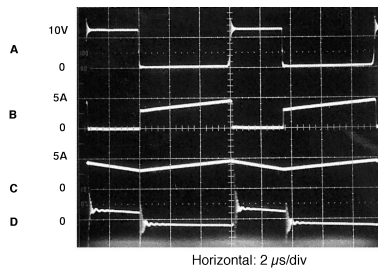


DS012420-49

FIGURE 33. 12V Boost Regulator

By adding a small number of external components (as shown in Figure 33), the LM2588 can be used to produce a regulated output voltage that is greater than the applied input voltage. The switching waveforms observed during the operation of this circuit are shown in Figure 34. Typical performance of this regulator is shown in Figure 35.

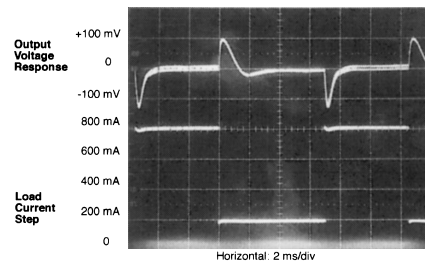
Typical Performance Characteristics



DS012420-62

- A: Switch Voltage, 10V/div
- B: Switch Current, 5A/div
- C: Inductor Current, 5A/div
- D: Output Ripple Voltage, 100 mV/div, AC-Coupled

FIGURE 34. Switching Waveforms



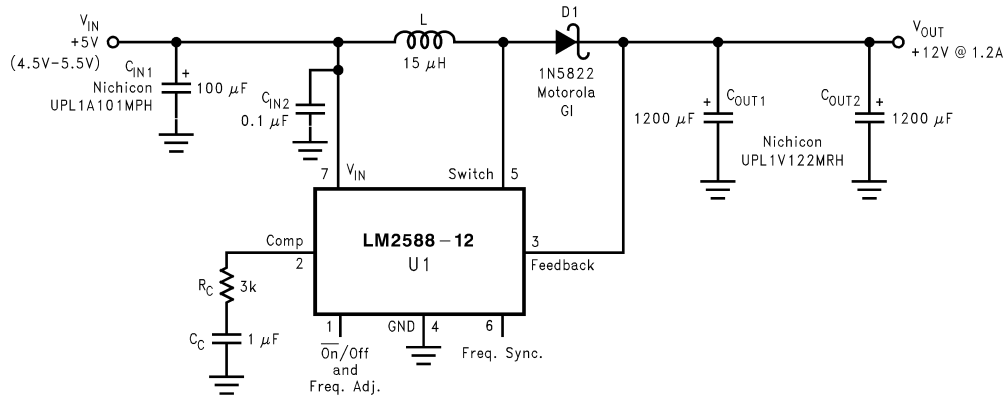
DS012420-63

FIGURE 35. V_{OUT} Response to Load Current Step

Typical Boost Regulator Applications

Figure 36 and 38 through 40 show four typical boost applications—one fixed and three using the adjustable version of the LM2588. Each drawing contains the part number(s) and manufacturer(s) for every component. For the

fixed 12V output application, the part numbers and manufacturers' names for the inductor are listed in a table in Figure 37. For applications with different output voltages, refer to the *Switchers Made Simple* software.



DS012420-50

FIGURE 36. +5V to +12V Boost Regulator

Figure 37 contains a table of standard inductors, by part number and corresponding manufacturer, for the fixed output regulator of Figure 36.

| Coilcraft (Note 20) | Pulse (Note 21) | Renco (Note 22) | Schott (Note 23) |
|---------------------|-----------------|-----------------|------------------|
| R4793-A | PE-53900 | RL-5472-5 | 67146520 |

Note 20: Coilcraft Inc.: Phone: (800) 322-2645

1102 Silver Lake Road, Cary, IL 60013: Fax: (708) 639-1469

European Headquarters, 21 Napier Place: Phone: +44 1236 730 595

Wardpark North, Cumbernauld, Scotland G68 0LL: Fax: +44 1236 730 627

Note 21: Pulse Engineering Inc.: Phone: (619) 674-8100

12220 World Trade Drive, San Diego, CA 92128: Fax: (619) 674-8262

European Headquarters, Dunmore Road: Phone: +353 93 24 107

Tuam, Co. Galway, Ireland: Fax: +353 93 24 459

Note 22: Renco Electronics Inc.: Phone: (800) 645-5828

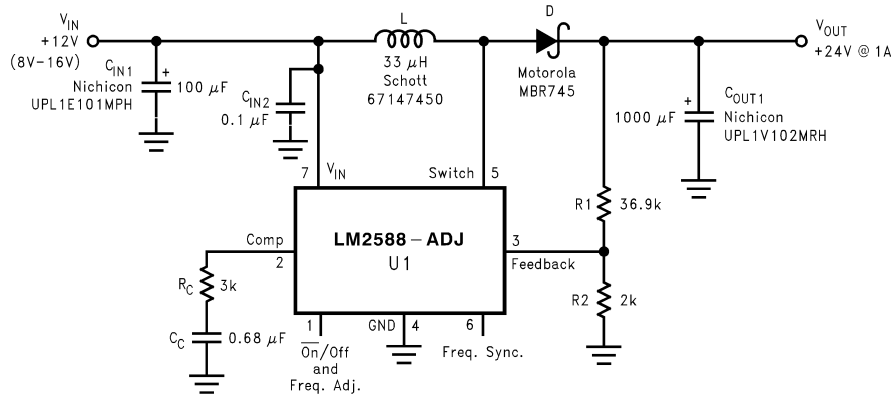
60 Jeffryn Blvd. East, Deer Park, NY 11729: Fax: (516) 586-5562

Note 23: Schott Corp.: Phone: (612) 475-1173

1000 Parkers Lane Road, Wayzata, MN 55391: Fax: (612) 475-1786

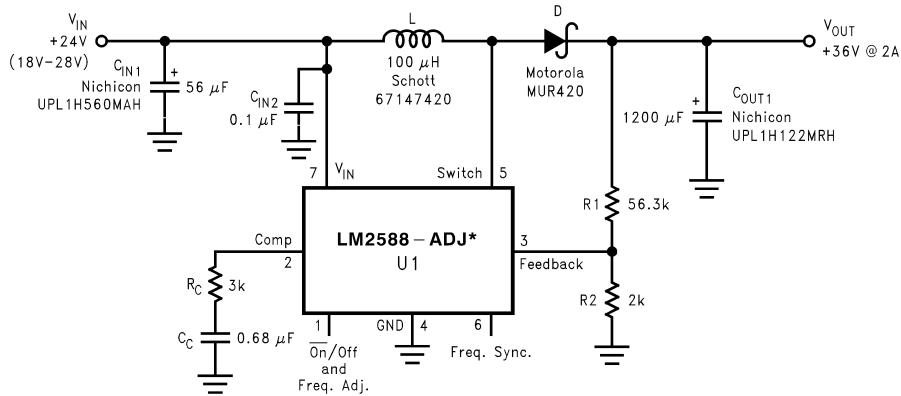
FIGURE 37. Inductor Selection Table

Typical Boost Regulator Applications (Continued)



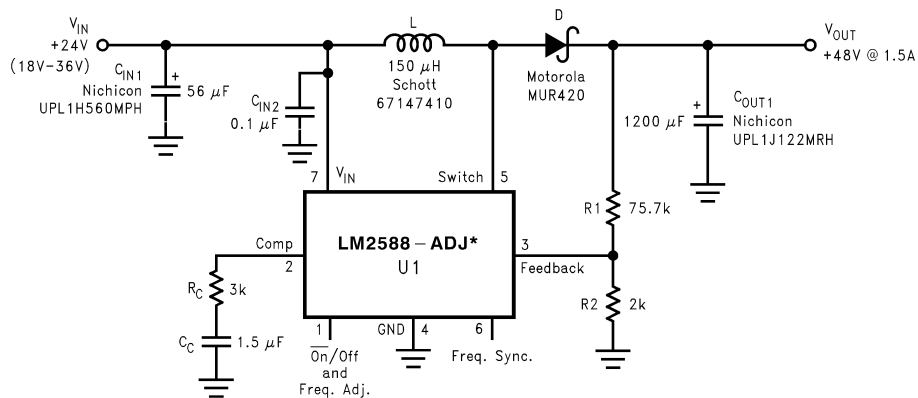
DS012420-51

FIGURE 38. +12V to +24V Boost Regulator



DS012420-52

FIGURE 39. +24V to +36V Boost Regulator



DS012420-53

*The LM2588 will require a heat sink in these applications. The size of the heat sink will depend on the maximum ambient temperature. To calculate the thermal resistance of the IC and the size of the heat sink needed, see the "Heat Sink/Thermal Considerations" section in the Application Hints.

FIGURE 40. +24V to +48V Boost Regulator

Application Hints

LM2588 SPECIAL FEATURES

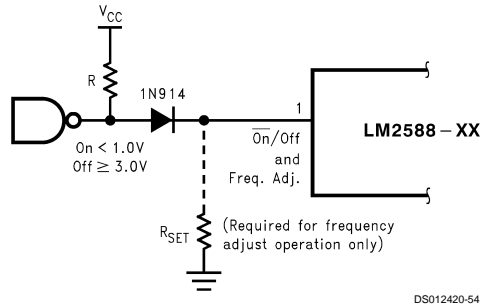


FIGURE 41. Shutdown Operation

SHUTDOWN CONTROL

A feature of the LM2588 is its ability to be shut down using the $\overline{\text{ON}}/\text{OFF}$ pin (pin 1). This feature conserves input power by turning off the device when it is not in use. For proper operation, an isolation diode is required (as shown in Figure 41).

The device will shut down when 3V or greater is applied on the $\overline{\text{ON}}/\text{OFF}$ pin, sourcing current into pin 1. In shut down mode, the device will draw typically 56 μA of supply current (16 μA to V_{IN} and 40 μA to the $\overline{\text{ON}}/\text{OFF}$ pin). To turn the device back on, leave pin 1 floating, using an (isolation) diode, as shown in Figure 41 (for normal operation, do not source or sink current to or from this pin—see the next section).

FREQUENCY ADJUSTMENT

The switching frequency of the LM2588 can be adjusted with the use of an external resistor. This feature allows the user to optimize the size of the magnetics and the output capacitor(s) by tailoring the operating frequency. A resistor connected from pin 1 (the Freq. Adj. pin) to ground will set the switching frequency from 100 kHz to 200 kHz (maximum). As shown in Figure 41, the pin can be used to adjust the frequency while still providing the shut down function. A curve in the Performance Characteristics Section graphs the resistor value to the corresponding switching frequency. The table in Figure 42 shows resistor values corresponding to commonly used frequencies.

However, changing the LM2588's operating frequency from its nominal value of 100 kHz will change the magnetics selection and compensation component values.

| $R_{\text{SET}}(\text{k}\Omega)$ | Frequency (kHz) |
|----------------------------------|-----------------|
| Open | 100 |
| 200 | 125 |
| 47 | 150 |
| 33 | 175 |
| 22 | 200 |

FIGURE 42. Frequency Setting Resistor Guide

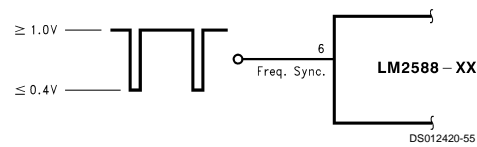


FIGURE 43. Frequency Synchronization

FREQUENCY SYNCHRONIZATION

Another feature of the LM2588 is the ability to synchronize the switching frequency to an external source, using the sync pin (pin 6). This feature allows the user to parallel multiple devices to deliver more output power.

A negative falling pulse applied to the sync pin will synchronize the LM2588 to an external oscillator (see Figure 43 and 44).

Use of this feature enables the LM2588 to be synchronized to an external oscillator, such as a system clock. This operation allows multiple power supplies to operate at the same frequency, thus eliminating frequency-related noise problems.

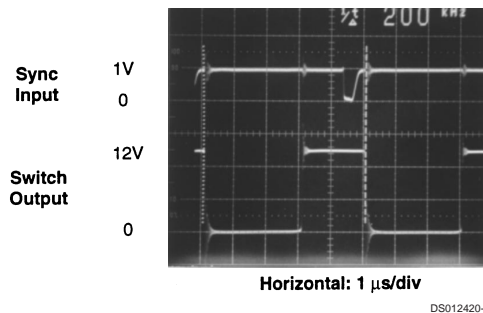


FIGURE 44. Waveforms of a Synchronized 12V Boost Regulator

The scope photo in Figure 44 shows a LM2588 12V Boost Regulator synchronized to a 200 kHz signal. There is a 700 ns delay between the falling edge of the sync signal and the turning on of the switch.

PROGRAMMING OUTPUT VOLTAGE (SELECTING R1 AND R2)

Referring to the adjustable regulator in Figure 45, the output voltage is programmed by the resistors R1 and R2 by the following formula:

$$V_{\text{OUT}} = V_{\text{REF}} (1 + R1/R2) \quad \text{where } V_{\text{REF}} = 1.23\text{V}$$

Resistors R1 and R2 divide the output voltage down so that it can be compared with the 1.23V internal reference. With R2 between 1k and 5k, R1 is:

$$R1 = R2 (V_{\text{OUT}}/V_{\text{REF}} - 1) \quad \text{where } V_{\text{REF}} = 1.23\text{V}$$

For best temperature coefficient and stability with time, use 1% metal film resistors.

SHORT CIRCUIT CONDITION

Due to the inherent nature of boost regulators, when the output is shorted (see Figure 45), current flows directly from the input, through the inductor and the diode, to the output, bypassing the switch. The current limit of the switch *does not* limit the output current for the entire circuit. To protect the

Application Hints (Continued)

load and prevent damage to the switch, the current must be externally limited, either by the input supply or at the output with an external current limit circuit. The external limit should be set to the maximum switch current of the device, which is 5A.

In a flyback regulator application (Figure 46), using the standard transformers, the LM2588 will survive a short circuit to

the main output. When the output voltage drops to 80% of its nominal value, the frequency will drop to 25 kHz. With a lower frequency, off times are larger. With the longer off times, the transformer can release all of its stored energy before the switch turns back on. Hence, the switch turns on initially with zero current at its collector. In this condition, the switch current limit will limit the peak current, saving the device.

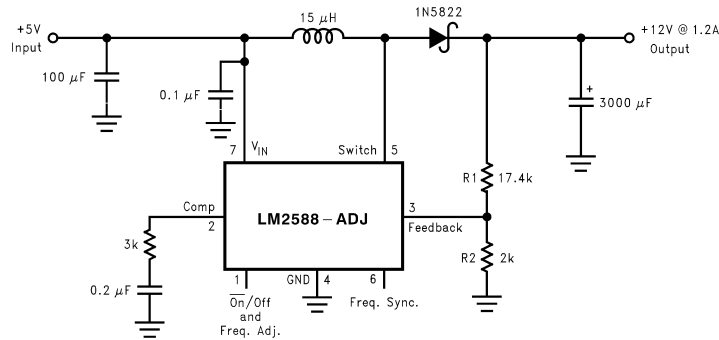


FIGURE 45. Boost Regulator

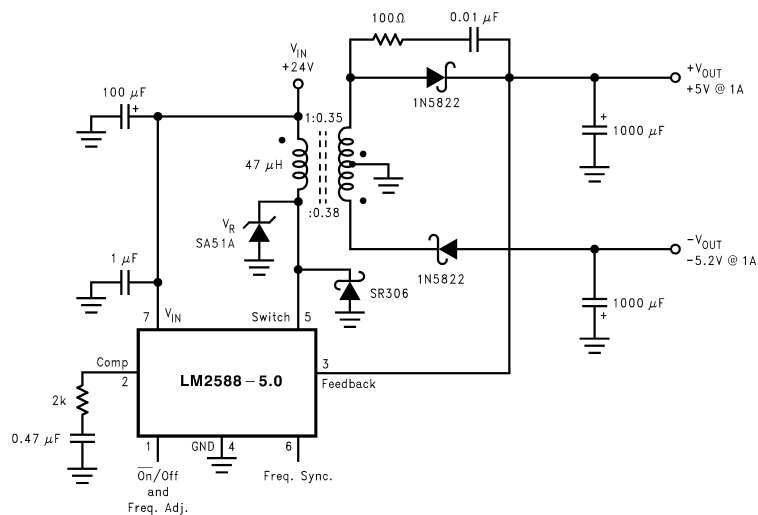


FIGURE 46. Flyback Regulator

FLYBACK REGULATOR INPUT CAPACITORS

A flyback regulator draws discontinuous pulses of current from the input supply. Therefore, there are two input capacitors needed in a flyback regulator — one for energy storage and one for filtering (see Figure 46). Both are required due to the inherent operation of a flyback regulator. To keep a stable or constant voltage supply to the LM2588, a storage capacitor ($\geq 100 \mu\text{F}$) is required. If the input source is a rectified DC supply and/or the application has a wide temperature range, the required rms current rating of the capacitor might be very large. This means a larger value of capacitance or a higher voltage rating will be needed for the input

capacitor. The storage capacitor will also attenuate noise which may interfere with other circuits connected to the same input supply voltage.

In addition, a small bypass capacitor is required due to the noise generated by the input current pulses. To eliminate the noise, insert a $1.0 \mu\text{F}$ ceramic capacitor between V_{IN} and ground as close as possible to the device.

Application Hints (Continued)

SWITCH VOLTAGE LIMITS

In a flyback regulator, the maximum steady-state voltage appearing at the switch, when it is off, is set by the transformer turns ratio, N , the output voltage, V_{OUT} , and the maximum input voltage, $V_{IN}(\text{Max})$:

$$V_{SW(\text{OFF})} = V_{IN}(\text{Max}) + (V_{OUT} + V_F)/N$$

where V_F is the forward biased voltage of the output diode, and is typically 0.5V for Schottky diodes and 0.8V for ultra-fast recovery diodes. In certain circuits, there exists a voltage spike, V_{LL} , superimposed on top of the steady-state voltage (see *Figure 5*, waveform A). Usually, this voltage spike is caused by the transformer leakage inductance and/or the output rectifier recovery time. To “clamp” the voltage at the switch from exceeding its maximum value, a transient suppressor in series with a diode is inserted across the transformer primary (as shown in the circuit in *Figure 4* and other flyback regulator circuits throughout the datasheet). The schematic in *Figure 46* shows another method of clamping the switch voltage. A single voltage transient suppressor (the SA51A) is inserted at the switch pin. This method clamps the total voltage across the switch, not just the voltage across the primary.

If poor circuit layout techniques are used (see the “Circuit Layout Guideline” section), negative voltage transients may appear on the Switch pin (pin 5). Applying a negative voltage (with respect to the IC’s ground) to any monolithic IC pin causes erratic and unpredictable operation of that IC. This holds true for the LM2588 IC as well. When used in a flyback regulator, the voltage at the Switch pin (pin 5) can go negative when the switch turns on. The “ringing” voltage at the switch pin is caused by the output diode capacitance and the transformer leakage inductance forming a resonant circuit at the secondary(ies). The resonant circuit generates the “ringing” voltage, which gets reflected back through the transformer to the switch pin. There are two common methods to avoid this problem. One is to add an RC snubber around the output rectifier(s), as in *Figure 46*. The values of the resistor and the capacitor must be chosen so that the voltage at the Switch pin does not drop below $-0.4V$. The resistor may range in value between 10Ω and $1\text{ k}\Omega$, and the capacitor will vary from $0.001\ \mu\text{F}$ to $0.1\ \mu\text{F}$. Adding a snubber will (slightly) reduce the efficiency of the overall circuit.

The other method to reduce or eliminate the “ringing” is to insert a Schottky diode clamp between pins 5 and 4 (ground), also shown in *Figure 46*. This prevents the voltage at pin 5 from dropping below $-0.4V$. The reverse voltage rating of the diode must be greater than the switch off voltage.

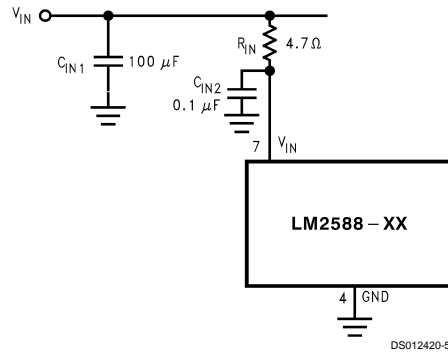


FIGURE 47. Input Line Filter

OUTPUT VOLTAGE LIMITATIONS

The maximum output voltage of a boost regulator is the maximum switch voltage minus a diode drop. In a flyback regulator, the maximum output voltage is determined by the turns ratio, N , and the duty cycle, D , by the equation:

$$V_{OUT} = N \times V_{IN} \times D / (1 - D)$$

The duty cycle of a flyback regulator is determined by the following equation:

$$D = \frac{V_{OUT} + V_F}{N(V_{IN} - V_{SAT}) + V_{OUT} + V_F} \approx \frac{V_{OUT}}{N(V_{IN}) + V_{OUT}}$$

Theoretically, the maximum output voltage can be as large as desired — just keep increasing the turns ratio of the transformer. However, there exists some physical limitations that prevent the turns ratio, and thus the output voltage, from increasing to infinity. The physical limitations are capacitances and inductances in the LM2588 switch, the output diode(s), and the transformer — such as reverse recovery time of the output diode (mentioned above).

NOISY INPUT LINE CONDITION

A small, low-pass RC filter should be used at the input pin of the LM2588 if the input voltage has an unusually large amount of transient noise, such as with an input switch that bounces. The circuit in *Figure 47* demonstrates the layout of the filter, with the capacitor placed from the input pin to ground and the resistor placed between the input supply and the input pin. Note that the values of R_{IN} and C_{IN} shown in the schematic are good enough for most applications, but some readjusting might be required for a particular application. If efficiency is a major concern, replace the resistor with a small inductor (say $10\ \mu\text{H}$ and rated at 200 mA).

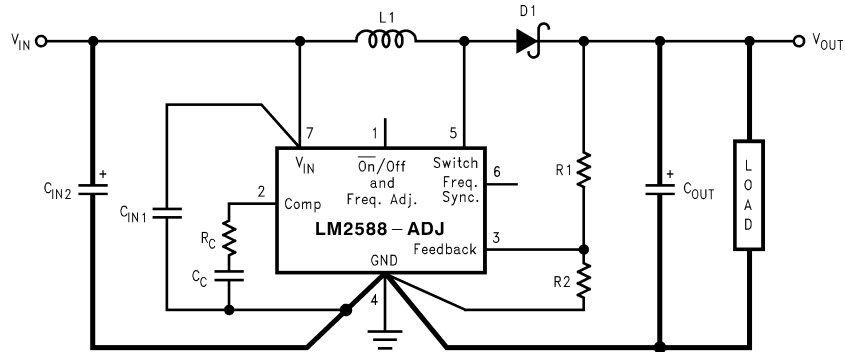
STABILITY

All current-mode controlled regulators can suffer from an instability, known as subharmonic oscillation, if they operate with a duty cycle above 50%. To eliminate subharmonic oscillations, a minimum value of inductance is required to ensure stability for all boost and flyback regulators. The minimum inductance is given by:

$$L(\text{Min}) = \frac{2.92 [(V_{IN}(\text{Min}) - V_{SAT}) \cdot (2D(\text{Max}) - 1)]}{1 - D(\text{Max})} (\mu\text{H})$$

where V_{SAT} is the switch saturation voltage and can be found in the Characteristic Curves.

Application Hints (Continued)



DS012420-59

FIGURE 48. Circuit Board Layout

CIRCUIT LAYOUT GUIDELINES

As in any switching regulator, layout is very important. Rapidly switching currents associated with wiring inductance generate voltage transients which can cause problems. For minimal inductance and ground loops, keep the length of the leads and traces as short as possible. Use single point grounding or ground plane construction for best results. Separate the signal grounds from the power grounds (as indicated in Figure 48). When using the Adjustable version, physically locate the programming resistors as near the regulator IC as possible, to keep the sensitive feedback wiring short.

HEAT SINK/THERMAL CONSIDERATIONS

In many cases, a heat sink is not required to keep the LM2588 junction temperature within the allowed operating temperature range. For each application, to determine whether or not a heat sink will be required, the following must be identified:

- 1) Maximum ambient temperature (in the application).
- 2) Maximum regulator power dissipation (in the application).
- 3) Maximum allowed junction temperature (125°C for the LM2588). For a safe, conservative design, a temperature approximately 15°C cooler than the maximum junction temperature should be selected (110°C).
- 4) LM2588 package thermal resistances θ_{JA} and θ_{JC} (given in the Electrical Characteristics).

Total power dissipated (P_D) by the LM2588 can be estimated as follows:

Boost:

$$P_D = 0.15\Omega \cdot \left(\frac{I_{LOAD}}{1-D} \right)^2 \cdot D + \frac{I_{LOAD}}{50 \cdot (1-D)} \cdot D \cdot V_{IN}$$

Flyback:

$$P_D = 0.15\Omega \cdot \left(\frac{N \cdot \Sigma I_{LOAD}}{1-D} \right)^2 \cdot D + \frac{N \cdot \Sigma I_{LOAD}}{50 \cdot (1-D)} \cdot D \cdot V_{IN}$$

V_{IN} is the minimum input voltage, V_{OUT} is the output voltage, N is the transformer turns ratio, D is the duty cycle, and I_{LOAD}

is the maximum load current (and ΣI_{LOAD} is the sum of the maximum load currents for multiple-output flyback regulators). The duty cycle is given by:

Boost:

$$D = \frac{V_{OUT} + V_F - V_{IN}}{V_{OUT} + V_F - V_{SAT}} \approx \frac{V_{OUT} - V_{IN}}{V_{OUT}}$$

Flyback:

$$D = \frac{V_{OUT} + V_F}{N(V_{IN} - V_{SAT}) + V_{OUT} + V_F} \approx \frac{V_{OUT}}{N(V_{IN}) + V_{OUT}}$$

where V_F is the forward biased voltage of the diode and is typically 0.5V for Schottky diodes and 0.8V for fast recovery diodes. V_{SAT} is the switch saturation voltage and can be found in the Characteristic Curves.

When no heat sink is used, the junction temperature rise is:

$$\Delta T_J = P_D \cdot \theta_{JA}$$

Adding the junction temperature rise to the maximum ambient temperature gives the actual operating junction temperature:

$$T_J = \Delta T_J + T_A$$

If the operating junction temperature exceeds the maximum junction temperature in item 3 above, then a heat sink is required. When using a heat sink, the junction temperature rise can be determined by the following:

$$\Delta T_J = P_D \cdot (\theta_{JC} + \theta_{Interface} + \theta_{Heat\ Sink})$$

Again, the operating junction temperature will be:

$$T_J = \Delta T_J + T_A$$

As before, if the maximum junction temperature is exceeded, a larger heat sink is required (one that has a lower thermal resistance).

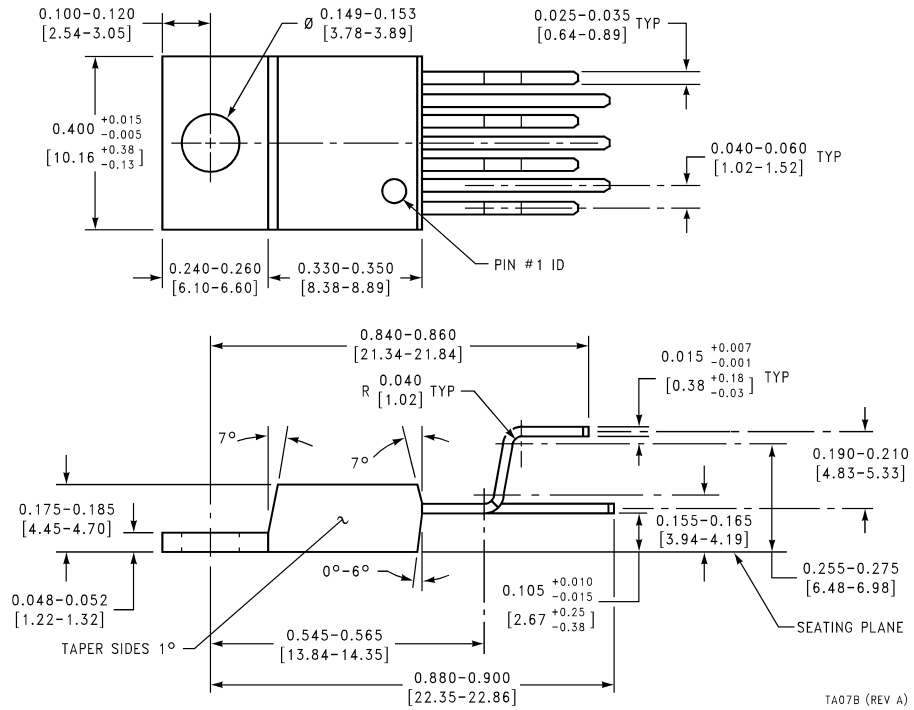
Included in the *Switchers Made Simple* design software is a more precise (non-linear) thermal model that can be used to determine junction temperature with different input-output parameters or different component values. It can also calculate the heat sink thermal resistance required to maintain the regulator junction temperature below the maximum operating temperature.

Application Hints (Continued)

To further simplify the flyback regulator design procedure, National Semiconductor is making available computer design software Switchers Made Simple. Software is available

on a (3½") diskette for IBM compatible computers from a National Semiconductor sales office in your area or the National Semiconductor Customer Response Center (1-800-272-9959).

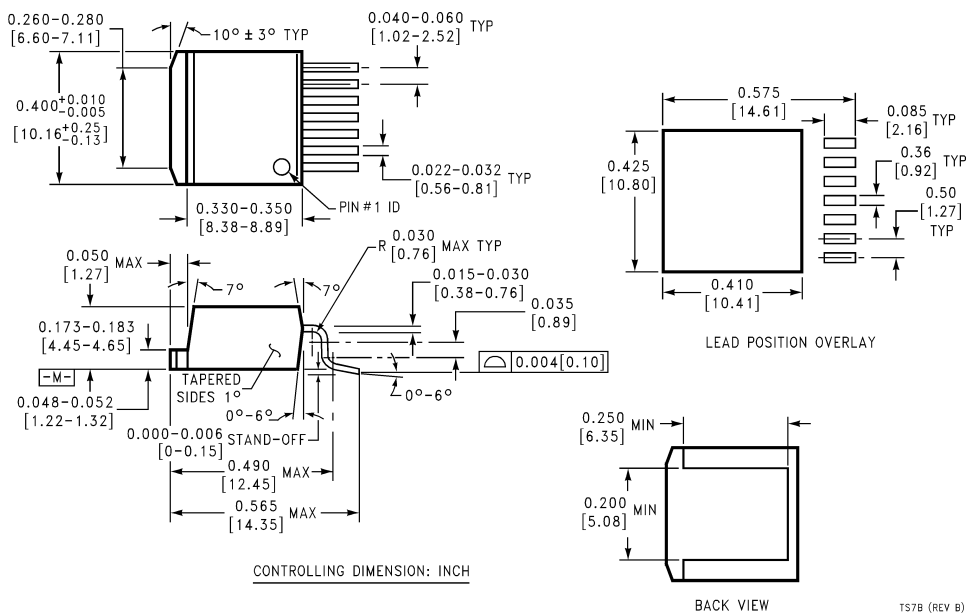
Physical Dimensions inches (millimeters) unless otherwise noted



Order Number LM2588T-3.3, LM2588T-5.0,
LM2588T-12 or LM2588T-ADJ
NS Package Number TA07B

TA07B (REV A)

Physical Dimensions inches (millimeters) unless otherwise noted (Continued)




CONTROLLING DIMENSION: INCH

**Order Number LM2588S-3.3, LM2588S-5.0,
 LM2588S-12 or LM2588S-ADJ
 Tape and Reel Order Number LM2588SX-3.3,
 LM2588SX-5.0, LM2588SX-12 or LM2588SX-ADJ
 NS Package Number TS7B**

LIFE SUPPORT POLICY

NATIONAL'S PRODUCTS ARE NOT AUTHORIZED FOR USE AS CRITICAL COMPONENTS IN LIFE SUPPORT DEVICES OR SYSTEMS WITHOUT THE EXPRESS WRITTEN APPROVAL OF THE PRESIDENT AND GENERAL COUNSEL OF NATIONAL SEMICONDUCTOR CORPORATION. As used herein:

1. Life support devices or systems are devices or systems which, (a) are intended for surgical implant into the body, or (b) support or sustain life, and whose failure to perform when properly used in accordance with instructions for use provided in the labeling, can be reasonably expected to result in a significant injury to the user.
2. A critical component is any component of a life support device or system whose failure to perform can be reasonably expected to cause the failure of the life support device or system, or to affect its safety or effectiveness.

| | | | |
|--|---|---|---|
|  <p>National Semiconductor Corporation Americas Tel: 1-800-272-9959 Fax: 1-800-737-7018 Email: support@nsc.com www.national.com</p> | <p>National Semiconductor Europe Fax: +49 (0) 1 80-530 85 86 Email: europe.support@nsc.com Deutsch Tel: +49 (0) 1 80-530 85 85 English Tel: +49 (0) 1 80-532 78 32 Français Tel: +49 (0) 1 80-532 93 58 Italiano Tel: +49 (0) 1 80-534 16 80</p> | <p>National Semiconductor Asia Pacific Customer Response Group Tel: 65-2544466 Fax: 65-2504466 Email: sea.support@nsc.com</p> | <p>National Semiconductor Japan Ltd. Tel: 81-3-5639-7560 Fax: 81-3-5639-7507</p> |
|--|---|---|---|

National does not assume any responsibility for use of any circuitry described, no circuit patent licenses are implied and National reserves the right at any time without notice to change said circuitry and specifications.