

# LM26001

## 1.5A Switching Regulator with High Efficiency Sleep Mode

### General Description

The LM26001 is a switching regulator designed for the high efficiency requirements of applications with stand-by modes. The device features a low-current sleep mode to maintain efficiency under light-load conditions and current-mode control for accurate regulation over a wide input voltage range. Quiescent current is reduced to 10  $\mu$ A typically in shutdown mode and less than 40  $\mu$ A in sleep mode. Forced PWM mode is also available to disable sleep mode.

The LM26001 can deliver up to 1.5A of continuous load current with a fixed current limit, through the internal N-channel switch. The part has a wide input voltage range of 4.0V to 38V and can operate with input voltages as low as 3V during line transients.

Operating frequency is adjustable from 150 kHz to 500 kHz with a single resistor and can be synchronized to an external clock.

Other features include Power good, adjustable soft-start, enable pin, input under-voltage protection, and an internal bootstrap diode for reduced component count.

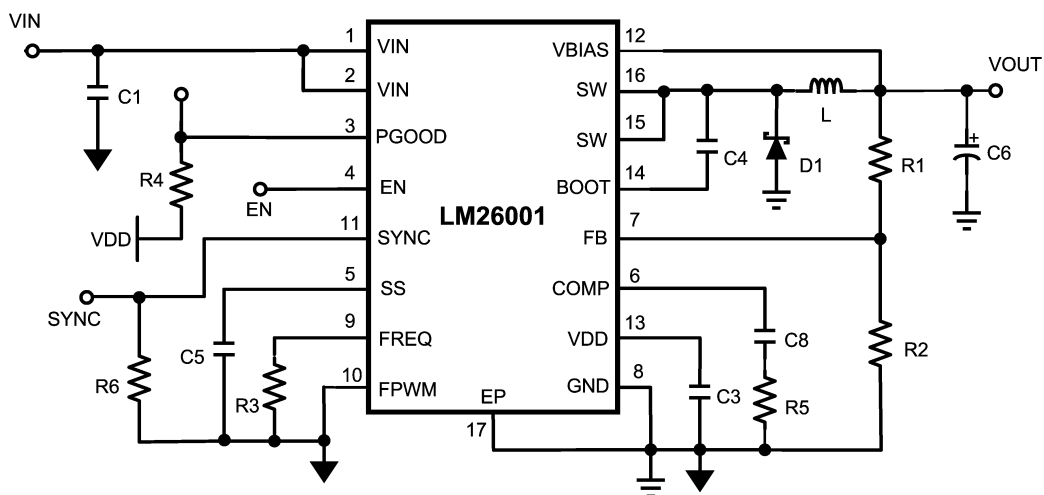
### Features

- High efficiency sleep mode
- 40  $\mu$ A typical Iq in sleep mode
- 10  $\mu$ A typical Iq in shutdown mode
- 3.0V minimum input voltage
- 4.0V to 38V continuous input range
- 1.5% reference accuracy
- Cycle-by-cycle current limit
- Adjustable Frequency (150 kHz to 500 kHz)
- Synchronizable to an external clock
- Power Good Flag
- Forced PWM function
- Adjustable Soft-start
- TSSOP-16 exposed pad package
- Thermal Shut Down

### Applications

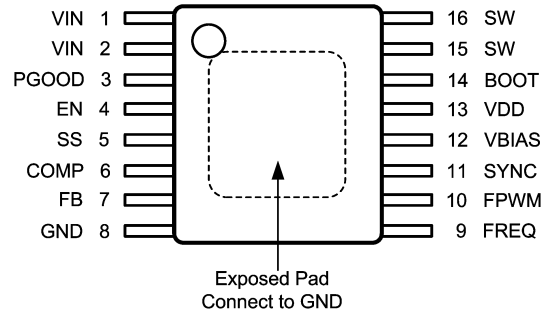
- Automotive Telematics
- Navigation systems
- In-Dash Instrumentation
- Battery Powered Applications
- Stand-by power for home gateways/set-top boxes

### Typical Application Circuit



20179401

## Connection Diagram



20179402

**Top View**  
**16-Lead Plastic TSSOP**

## Ordering Information

| Order Number | Package Type | Package Drawing | Package Marking | Supplied As                 |
|--------------|--------------|-----------------|-----------------|-----------------------------|
| LM26001MXA   | TSSOP-16EXP  | MXA16A          | LM26001EM       | 92 Units of Rail            |
| LM26001MXAX  | TSSOP-16EXP  | MXA16A          | LM26001EM       | 2500 Units of Tape and Reel |

## Pin Descriptions

| Pin # | Pin Name | Description  |
|-------|----------|--|
| 1     | VIN      | Power supply input   |
| 2     | VIN      | Power supply input   |
| 3     | PGOOD    | Power Good pin. An open drain output which goes high when the output voltage is greater than 92% of nominal.   |
| 4     | EN       | Enable is an analog level input pin. When pulled below 0.8V, the device enters shutdown mode.  |
| 5     | SS       | Soft-start pin. Connect a capacitor from this pin to GND to set the soft-start time.   |
| 6     | COMP     | Compensation pin. Connect to a resistor capacitor pair to compensate the control loop.   |
| 7     | FB       | Feedback pin. Connect to a resistor divider between Vout and GND to set output voltage.  |
| 8     | GND      | Ground   |
| 9     | FREQ     | Frequency adjust pin. Connect a resistor from this pin to GND to set the operating frequency.  |
| 10    | FPWM     | FPWM is a logic level input pin. For normal operation, connect to GND. When pulled high, sleep mode operation is disabled.                             |
| 11    | SYNC     | Frequency synchronization pin. Connect to an external clock signal for synchronized operation. SYNC must be pulled low for non-synchronized operation. |
| 12    | VBIAS    | Connect to an external 3V or greater supply to bypass the internal regulator for improved efficiency. If not used, VBIAS should be tied to GND.        |
| 13    | VDD      | The output of the internal regulator. Bypass with a minimum 1.0 $\mu$ F capacitor.   |
| 14    | BOOT     | Bootstrap capacitor pin. Connect a 0.1 $\mu$ F minimum ceramic capacitor from this pin to SW to generate the gate drive bootstrap voltage.             |
| 15    | SW       | Switch pin. The source of the internal N-channel switch.   |
| 16    | SW       | Switch pin. The source of the internal N-channel switch.   |
| EP    | EP       | Exposed Pad thermal connection. Connect to GND.  |

**Absolute Maximum Ratings** (Note 1)

If Military/Aerospace specified devices are required, please contact the National Semiconductor Sales Office/Distributors for availability and specifications.

Voltages from the indicated pins to GND:

|             |                  |
|-------------|------------------|
| VIN         | -0.3V to 40V     |
| SW (Note 7) | -0.5V to 40V     |
| VDD         | -0.3V to 7V      |
| VBIAS       | -0.3V to 10V     |
| FB          | -0.3V to 6V      |
| BOOT        | SW-0.3V to SW+7V |
| PGOOD       | -0.3V to 7V      |
| FREQ        | -0.3V to 7V      |
| SYNC        | -0.3V to 7V      |
| EN          | -0.3V to 40V     |
| FPWM        | -0.3V to 7V      |

|                              |                 |
|------------------------------|-----------------|
| SS                           | -0.3V to 7V     |
| Storage Temperature          | -65°C to +150°C |
| Power Dissipation (Note 2)   | 2.6 W           |
| Recommended Lead Temperature |                 |
| Vapor Phase (70s)            | 215°C           |
| Infrared (15s)               | 220°C           |
| ESD Susceptibility (Note 3)  |                 |
| Machine Model                | 200V            |
| Human Body Model             | 2KV             |
| Charged Device Model         | 1kV             |

**Operating Ratings** (Note 1)

|                          |                |
|--------------------------|----------------|
| Operating Junction Temp. | -40°C to 125°C |
| Supply Voltage (Note 4)  | 3.0V to 38V    |

**Electrical Characteristics** Specifications in standard type are for  $T_J = 25^\circ\text{C}$  only, and limits in boldface type apply over the junction temperature ( $T_J$ ) range of  $-40^\circ\text{C}$  to  $+125^\circ\text{C}$ . Unless otherwise stated,  $V_{in}=12\text{V}$ . Minimum and Maximum limits are guaranteed through test, design, or statistical correlation. Typical values represent the most likely parametric norm at  $T_J = 25^\circ\text{C}$ , and are provided for reference purposes only. (Note 5)

| Symbol                          | Parameter                             | Conditions  | Min           | Typ   | Max                        | Unit          |
|---------------------------------|---------------------------------------|---|---------------|-------|----------------------------|---------------|
| <b>System</b>                   |                                       |   |               |       |                            |               |
| $I_{SD}$ (Note 6)               | Shutdown Current                      | EN = 0V   |               | 9.5   | <b>20</b>                  | $\mu\text{A}$ |
| $I_{q\_sleep\_VB}$ (Note 6)     | Quiescent Current                     | Sleep mode, VBIAS = 5V                                      |               | 38    | <b>70</b>                  | $\mu\text{A}$ |
| $I_{q\_sleep\_VDD}$             | Quiescent Current                     | Sleep mode, VBIAS = GND                                     |               | 83    | <b>150</b>                 | $\mu\text{A}$ |
| $I_{q\_PWM\_VB}$                | Quiescent Current                     | PWM mode, VBIAS = 5V  |               | 150   | 230                        | $\mu\text{A}$ |
| $I_{q\_PWM\_VDD}$               | Quiescent Current                     | PWM mode, VBIAS = GND                                       |               | 0.65  | 0.85                       | mA            |
| $I_{BIAS\_sleep}$ (Note 6)      | Bias Current                          | Sleep mode, VBIAS = 5V                                      |               | 43    | <b>105</b>                 | $\mu\text{A}$ |
| $I_{BIAS\_PWM}$                 | Bias Current                          | PWM mode, VBIAS = 5V  |               | 0.5   | 0.70                       | mA            |
| $V_{FB}$                        | Feedback Voltage                      | $5\text{V} < V_{in} < 38\text{V}$                           | <b>1.2155</b> | 1.234 | <b>1.2525</b>              | V             |
| $I_{FB}$                        | FB Bias Current                       |   |               |       | $\pm 200$                  | nA            |
| $\Delta V_{OUT}/\Delta V_{IN}$  | Vout line regulation                  | $5\text{V} < V_{in} < 38\text{V}$                           |               | 0.001 |                            | %/V           |
| $\Delta V_{OUT}/\Delta I_{OUT}$ | Vout load regulation                  | $0.8 < V_{COMP} < 1.15\text{V}$                             |               | 0.07  |                            | %             |
| VDD                             | VDD output voltage                    | $7 < V_{in} < 35\text{V}$ , $I_{VDD} = 0\text{ mA}$ to 5 mA | <b>5.50</b>   | 5.95  | <b>6.50</b>                | V             |
| $I_{SS\_Source}$                | Soft-start source current             |   | <b>1.0</b>    | 2.3   | <b>3.5</b>                 | $\mu\text{A}$ |
| $V_{bias\_th}$                  | VBIAS switchover threshold            |   | <b>2.5</b>    | 2.7   | <b>3.0</b>                 | V             |
| <b>Switching</b>                |                                       |   |               |       |                            |               |
| $R_{DS(ON)}$                    | Switch on Resistance                  | $I_{sw} = 1\text{A}$  | <b>0.12</b>   | 0.2   | <b>0.40</b>                | $\Omega$      |
| $I_{sw\_off}$                   | Switch off state leakage current      | $V_{in} = 38\text{V}$ , $V_{SW} = 0\text{V}$                |               | 0.002 | <b>5.0</b>                 | $\mu\text{A}$ |
| $f_{sw}$                        | Switching Frequency                   | RFREQ = 62k, 124k, 240k                                     |               |       | <b><math>\pm 10</math></b> | %             |
| $V_{FREQ}$                      | FREQ voltage                          |   |               | 1.0   |                            | V             |
| $f_{SW\ range}$                 | Switching Frequency range             |   | <b>150</b>    |       | <b>500</b>                 | kHz           |
| $V_{SYNC}$                      | Sync pin threshold                    | SYNC rising   |               | 1.2   | <b>1.6</b>                 | V             |
|                                 |                                       | SYNC falling  | <b>0.8</b>    | 1.1   |                            |               |
|                                 | Sync pin hysteresis                   |   |               | 114   |                            | mV            |
| $I_{SYNC}$                      | SYNC leakage current                  |   |               | 6     |                            | nA            |
| $F_{SYNC\_UP}$                  | Upper frequency synchronization range | As compared to nominal $f_{sw}$                             |               |       | <b>+30</b>                 | %             |
| $F_{SYNC\_DN}$                  | Lower frequency synchronization range | As compared to nominal $f_{sw}$                             |               |       | <b>-20</b>                 | %             |

**Electrical Characteristics** Specifications in standard type are for  $T_J = 25^\circ\text{C}$  only, and limits in boldface type apply over the junction temperature ( $T_J$ ) range of  $-40^\circ\text{C}$  to  $+125^\circ\text{C}$ . Unless otherwise stated,  $V_{in}=12\text{V}$ . Minimum and Maximum limits are guaranteed through test, design, or statistical correlation. Typical values represent the most likely parametric norm at  $T_J = 25^\circ\text{C}$ , and are provided for reference purposes only. (Note 5) (Continued)

| Symbol            | Parameter                                  | Conditions                             | Min         | Typ    | Max         | Unit               |
|-------------------|--|--|-------------|--------|-------------|--------------------|
| $T_{OFFMIN}$      | Minimum Off-time                           |  |             | 365    |             | ns                 |
| $T_{ONMIN}$       | Minimum On-time                            |  |             | 155    |             | ns                 |
| $TH_{SLEEP\_HYS}$ | Sleep mode threshold hysteresis            | VFB rising, % of $TH_{WAKE}$           |             | 101.2  |             | %                  |
| $TH_{WAKE}$       | Wake up threshold                          | Measured at falling FB, COMP = 0.6V    |             | 1.234  |             | V                  |
| $I_{BOOT}$        | BOOT pin leakage current                   | BOOT = 16V, SW = 10V                   |             | 0.0006 | <b>5.0</b>  | $\mu\text{A}$      |
| <b>Protection</b> |  |  |             |        |             |                    |
| $I_{LIMPK}$       | Peak Current Limit                         |  | <b>1.85</b> | 2.5    | <b>3.10</b> | A                  |
| $V_{FB\_SC}$      | Short circuit frequency foldback threshold | Measured at FB falling                 |             | 0.87   |             | V                  |
| $F_{min\_sc}$     | Min Frequency in foldback                  | VFB < 0.3V                             |             | 71     |             | kHz                |
| $V_{TH\_PGOOD}$   | Power Good Threshold                       | Measured at FB, PGOOD rising           | <b>89</b>   | 92     | <b>95</b>   | %                  |
|                   | PGOOD hysteresis                           |  | 2           | 7      | 8           | %                  |
| $I_{PGOOD\_HI}$   | PGOOD leakage current                      | PGOOD = 5V                             |             | 0.2    |             | nA                 |
| $R_{DS\_PGOOD}$   | PGOOD on resistance                        | PGOOD sink current = 500 $\mu\text{A}$ |             | 64     |             | $\Omega$           |
| $V_{UVLO}$        | Under-voltage Lock-Out Threshold           | Vin falling , shutdown, VDD = VIN      | <b>2.60</b> | 2.9    | <b>3.20</b> | V                  |
|                   |  | Vin rising, soft-start, VDD = VIN      | <b>3.60</b> | 3.9    | <b>4.20</b> |                    |
| TSD               | Thermal Shutdown Threshold                 |  |             | 160    |             | $^\circ\text{C}$   |
| $\theta_{JA}$     | Thermal resistance                         | Power dissipation = 1W, 0 lfm air flow |             | 38     |             | $^\circ\text{C/W}$ |
| <b>Logic</b>      |  |  |             |        |             |                    |
| $V_{th\_EN}$      | Enable Threshold voltage                   |  | <b>0.8</b>  | 1.1    | <b>1.4</b>  | V                  |
|                   | Enable hysteresis                          |  |             | 164    |             | mV                 |
| $I_{EN\_Source}$  | EN source current                          | EN = 0V                                |             | 4.5    |             | $\mu\text{A}$      |
| $V_{TH\_FPWM}$    | FPWM threshold                             |  | <b>0.8</b>  | 1.2    | <b>1.6</b>  | V                  |
| $I_{FPWM}$        | FPWM leakage current                       | FPWM = 5V                              |             | 66     |             | nA                 |
| <b>EA</b>         |  |  |             |        |             |                    |
| gm                | Error amp trans-conductance                |  | <b>400</b>  | 670    | <b>1000</b> | $\mu\text{mho}$    |
| $I_{COMP}$        | COMP source current                        | VCOMP = 0.9V                           |             | 56     |             | $\mu\text{A}$      |
|                   | COMP sink current                          | VCOMP = 0.9V                           |             | 39     |             | $\mu\text{A}$      |
| $V_{COMP}$        | COMP pin voltage range                     |  | 0.61        |        | 1.32        | V                  |

**Note 1:** Absolute Maximum Ratings indicate limits beyond which damage to the device may occur. Operating Ratings indicate conditions for which the device is intended to be functional, but do not guarantee specific performance limits. For guaranteed specifications and test conditions, see the Electrical Characteristics.

**Note 2:** The maximum allowable power dissipation is a function of the maximum junction temperature,  $T_{J\_MAX}$ , the junction-to-ambient thermal resistance,  $\theta_{JA}$ , and the ambient temperature,  $T_A$ . The maximum allowable power dissipation at any ambient temperature is calculated using:  $P_{D\_MAX} = (T_{J\_MAX} - T_A) / \theta_{JA}$ . The maximum power dissipation of 2.6W is determined using  $T_A = 25^\circ\text{C}$ ,  $\theta_{JA} = 38^\circ\text{C/W}$ , and  $T_{J\_MAX} = 125^\circ\text{C}$ .

**Note 3:** The human body model is a 100 pF capacitor discharged through a 1.5 k $\Omega$  resistor into each pin. The machine model is a 200pF capacitor discharged directly into each pin. The charged device model is per JESD22-C101-C.

**Note 4:** Below 4.0V input, power dissipation may increase due to increased  $R_{DS(ON)}$ . Therefore, a minimum input voltage of 4.0V is required to operate continuously within specification. A minimum of 3.9V (typical) is also required for startup.

**Note 5:** All room temperature limits are 100% production tested. All limits at temperature extremes are guaranteed through correlation using standard Statistical Quality Control (SQC) methods. All limits are used to calculate Average Outgoing Quality Level (AOQL).

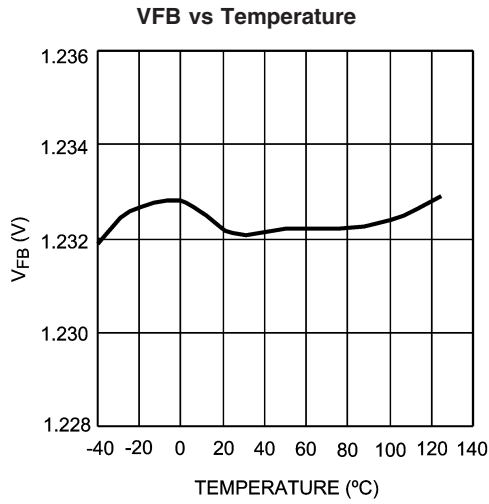
**Note 6:**  $I_q$  and ISD specify the current into the VIN pin. IBIAS is the current into the VBIAS pin when the VBIAS voltage is greater than 3V. All quiescent current specifications apply to non-switching operation.

**Note 7:** The absolute maximum specification applies to DC voltage. An extended negative voltage limit of -2V applies for a pulse of up to 1 $\mu\text{s}$ , and -1V for a pulse of up to 20 $\mu\text{s}$ .

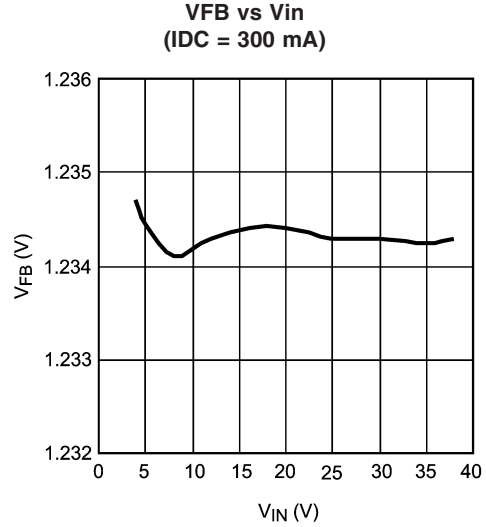
# Typical Performance Characteristics

Unless otherwise specified the following conditions apply:  $V_{in} = 12V$ ,  $T_J = 25^\circ C$ .

$= 12V$ ,  $T_J = 25^\circ C$ .

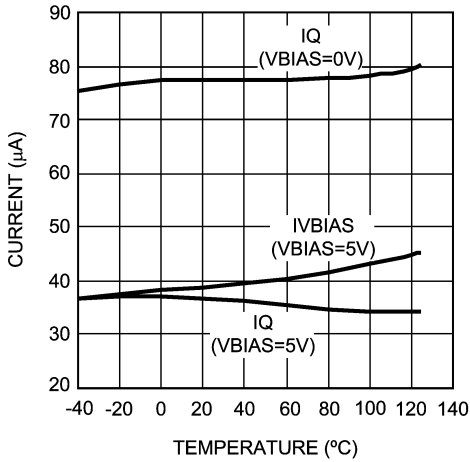


20179403



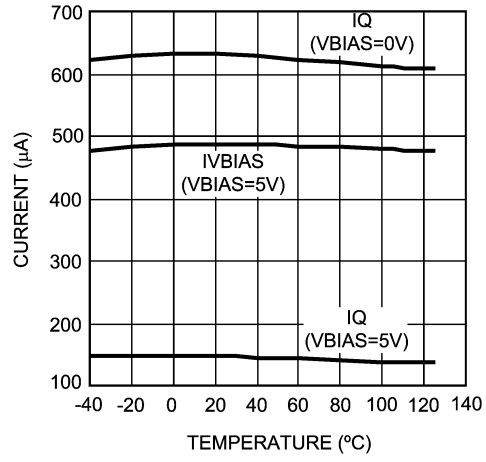
20179405

### $I_Q$ and $I_{VBIAS}$ vs Temperature (Sleep Mode)



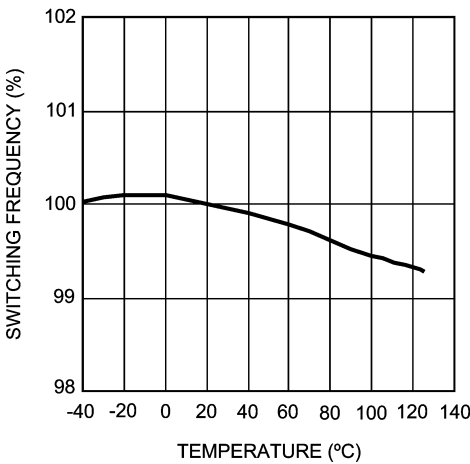
20179404

### $I_Q$ and $I_{VBIAS}$ vs Temperature (PWM Mode)



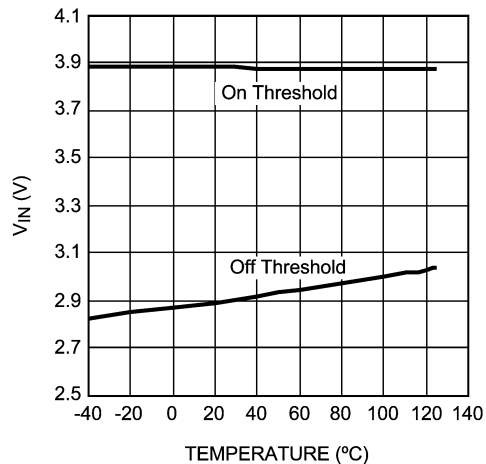
20179406

### Normalized Switching Frequency vs Temperature (300kHz)



20179416

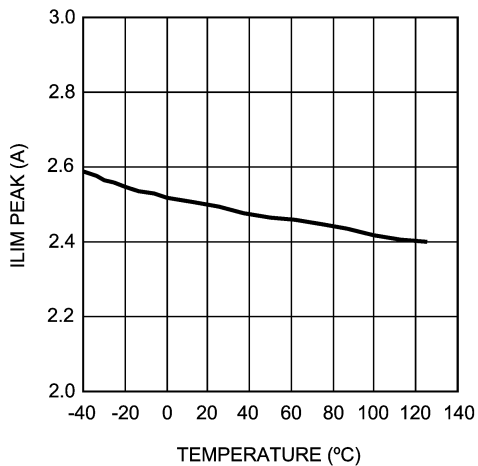
### UVLO Threshold vs Temperature ( $V_{DD} = V_{IN}$ )



20179417

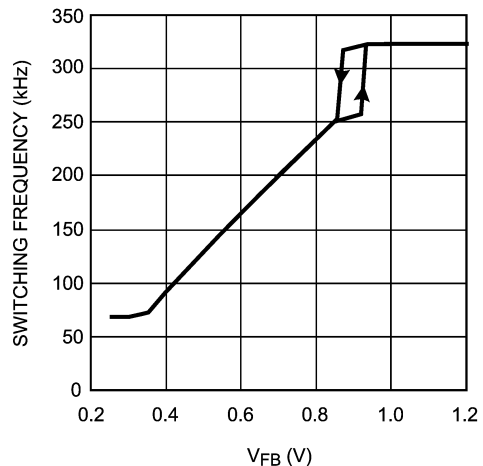
**Typical Performance Characteristics** Unless otherwise specified the following conditions apply:  $V_{in} = 12V$ ,  $T_J = 25^{\circ}C$ . (Continued)

**Peak Current Limit vs Temperature**



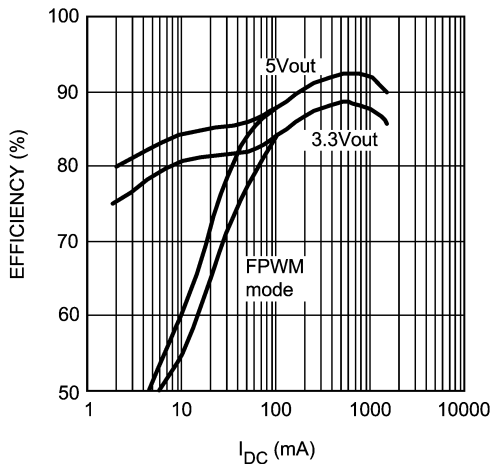
20179415

**Short Circuit Foldback Frequency vs  $V_{FB}$  (325 kHz nominal)**



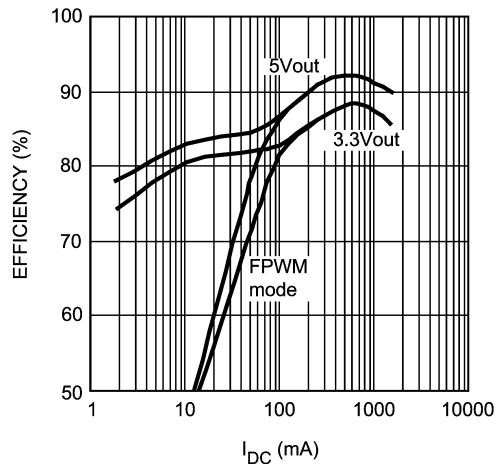
20179412

**Efficiency vs Load Current (330kHz)**



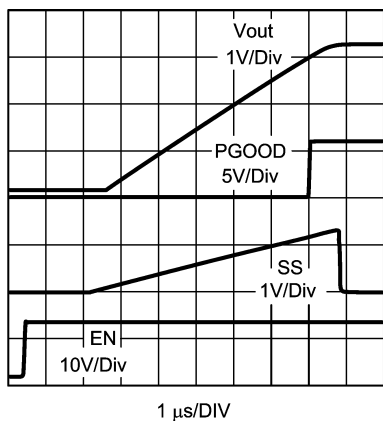
20179408

**Efficiency vs Load Current (500kHz)**



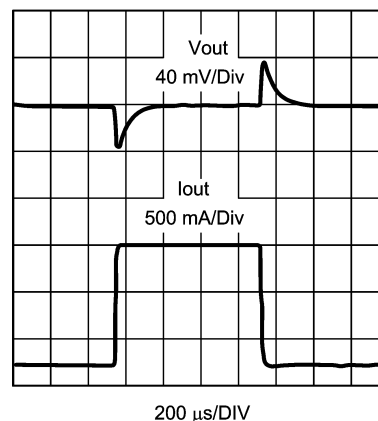
20179409

**Startup Waveforms**



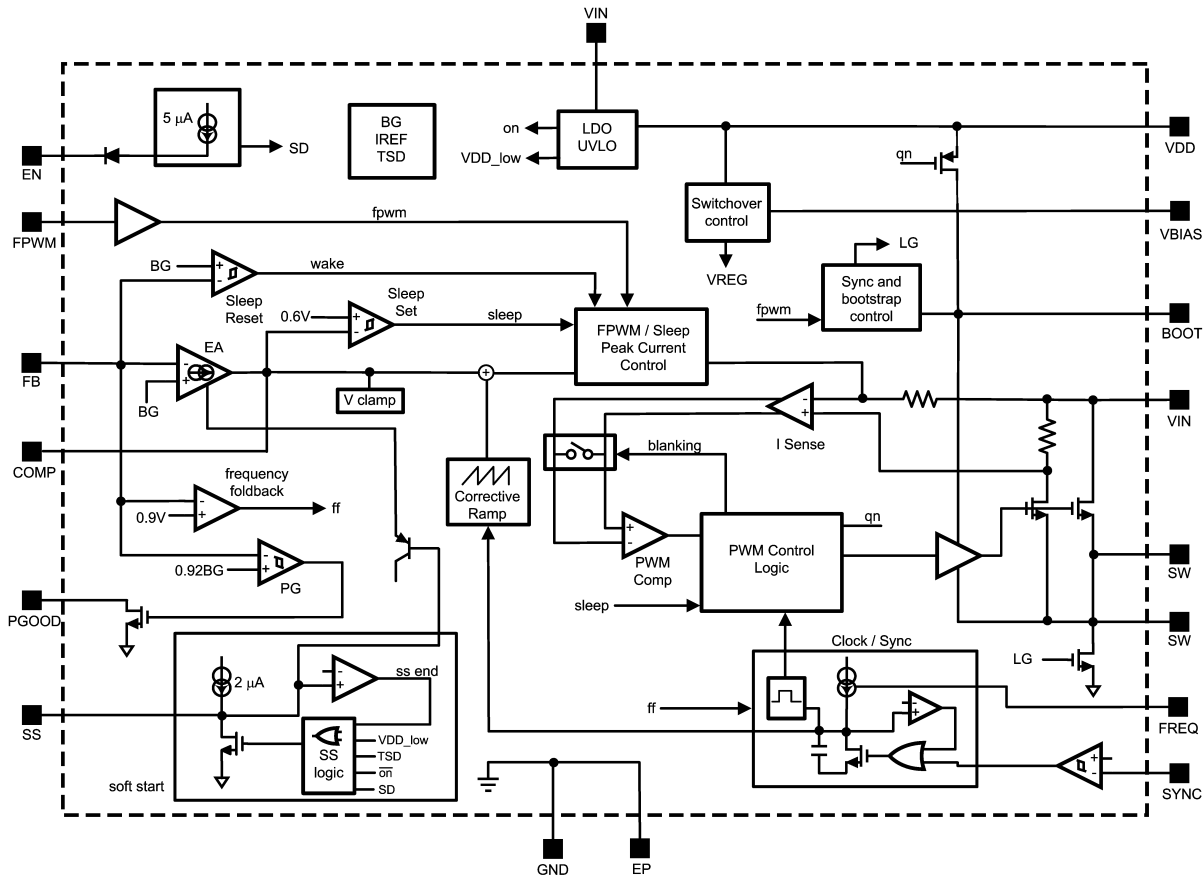
20179410

**Load Transient Response**



20179452

## Block Diagram

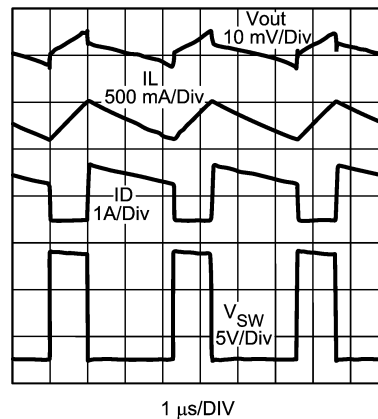


20179418

## Operation Description

### GENERAL

The LM26001 is a current mode PWM buck regulator. At the beginning of each clock cycle, the internal high-side switch turns on, allowing current to ramp up in the inductor. The inductor current is internally monitored during each switching cycle. A control signal derived from the inductor current is compared to the voltage control signal at the COMP pin, derived from the feedback voltage. When the inductor current reaches the threshold, the high-side switch is turned off and inductor current ramps down. While the switch is off, inductor current is supplied through the catch diode. This cycle repeats at the next clock cycle. In this way, duty cycle and output voltage are controlled by regulating inductor current. Current mode control provides superior line and load regulation. Other benefits include cycle by cycle current limiting and a simplified compensation scheme. Typical PWM waveforms are shown in Figure 1.



20179419

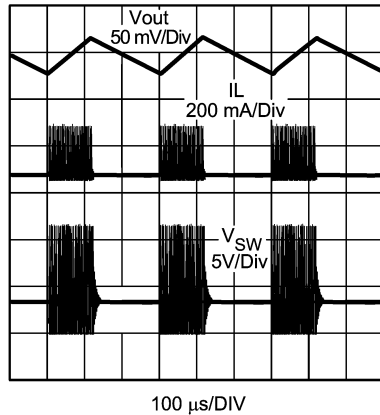
**FIGURE 1. PWM Waveforms  
1A Load, Vin = 12V**

### SLEEP MODE

In light load conditions, the LM26001 automatically switches into sleep mode for improved efficiency. As loading decreases, the voltage at FB increases and the COMP voltage decreases. When the COMP voltage reaches the 0.6V (typical) clamp threshold, and the FB voltage rises 1% above nominal, sleep mode is enabled and switching stops. The regulator remains in sleep mode until the FB voltage falls to

## Operation Description (Continued)

the reset threshold, at which point switching resumes. This 1% FB window limits the corresponding output ripple to approximately 1% of nominal output voltage. The sleep cycle will repeat until load current is increased. Figure 2 shows typical switching and output voltage waveforms in sleep mode.



20179420

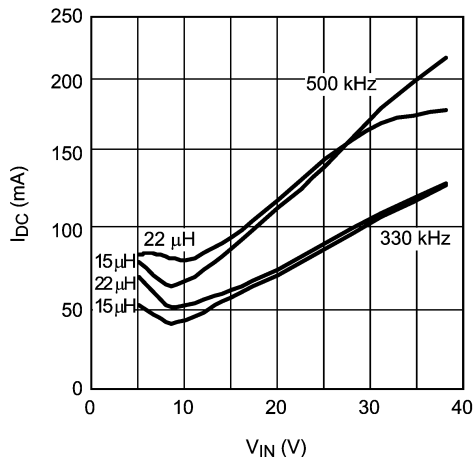
**FIGURE 2. Sleep Mode Waveforms**  
25mA Load, Vin = 12V

In sleep mode, quiescent current is reduced to less than 40 µA when not switching. The DC sleep mode threshold can be calculated according to the equation below:

$$I_{\text{Sleep}} = \left[ I_{\text{min}} + 0.13 \mu \left[ \frac{V_{\text{in}} - V_{\text{out}}}{L} \right]^2 \right] \times \left[ \frac{f_{\text{sw}} \times L}{D \times 2 \times (V_{\text{in}} - V_{\text{out}})} \right]$$

Where  $I_{\text{min}} = I_{\text{lim}}/16$  (2.5A/16 typically) and  $D = \text{duty cycle}$ , defined as  $(V_{\text{out}} + V_{\text{diode}})/V_{\text{in}}$ .

When load current increases above this limit, the LM26001 is forced back into PWM operation. The sleep mode threshold varies with frequency, inductance, and duty cycle as shown in Figure 3.

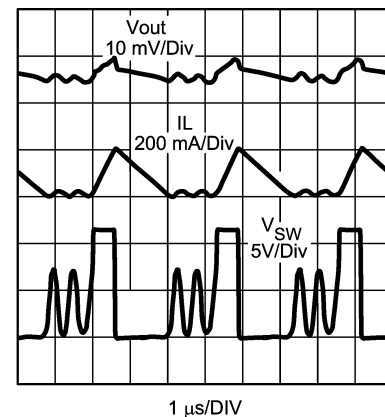


20179422

**FIGURE 3. Sleep Mode Threshold vs Vin**  
Vout = 3.3V

## FPWM

Pulling the FPWM pin high disables sleep mode and forces the LM26001 to always operate in PWM mode. Light load efficiency is reduced in PWM mode, but switching frequency remains stable. The FPWM pin can be connected to the VDD pin to pull it high. In FPWM mode, under light load conditions, the regulator operates in discontinuous conduction mode (DCM). In discontinuous conduction mode, current through the inductor starts at zero and ramps up to its peak, then ramps down to zero again. Until the next cycle, the inductor current remains at zero. At nominal load currents, in FPWM mode, the device operates in continuous conduction mode, where positive current always flows in the inductor. Typical discontinuous operation waveforms are shown below.



20179423

**FIGURE 4. Discontinuous Mode Waveforms**  
75mA Load, Vin = 12V

At very light load, in FPWM mode, the LM26001 may enter sleep mode. This is to prevent an over-voltage condition from occurring. However, the FPWM sleep threshold is much lower than in normal operation.

## ENABLE

The LM26001 provides a shutdown function via the EN pin to disable the device when the output voltage does not need to be maintained. EN is an analog level input with typically 164 mV of hysteresis. The device is active when the EN pin is above 1.1V (typical) and in shutdown mode when EN is below this threshold. When EN goes high, the internal VDD regulator turns on and charges the VDD capacitor. When VDD reaches 3.9V (typical), the soft-start pin begins to source current. In shutdown mode, the VDD regulator shuts down and total quiescent current is reduced to 10 µA (typical). Because the EN pin sources 4.5 µA (typical) of pull-up current, this pin can be left open for always-on operation. When open, EN will be pulled up to VIN.

If EN is connected to VIN, it must be connected through a 10 kΩ resistor to limit noise spikes. EN can also be driven externally with a maximum voltage of 38V or VIN + 15V, whichever is lower.

## SOFT-START

The soft-start feature provides a controlled output voltage ramp up at startup. This reduces inrush current and eliminates output overshoot at turn-on. The soft-start pin, SS, must be connected to GND through a capacitor. At power-



## Operation Description (Continued)

on, enable, or UVLO recovery, an internal 2.3  $\mu\text{A}$  (typical) current charges the soft-start capacitor. During soft-start, the error amplifier output voltage is controlled by both the soft-start voltage and the feedback loop. As the SS pin voltage ramps up, the duty cycle increases proportional to the soft-start ramp, causing the output voltage to ramp up. The rate at which the duty cycle increases depends on the capacitance of the soft-start capacitor. The higher the capacitance, the slower the output voltage ramps up. The soft-start capacitor value can be calculated with the following equation:

$$C_{SS} = \frac{I_{SS} \times t_{SS}}{1.234V}$$

Where  $t_{SS}$  is the desired soft-start time and  $I_{SS}$  is the soft-start source current. During soft-start, current limit and synchronization remain in effect, while sleep mode and frequency foldback are disabled. Soft-start mode ends when the SS pin voltage reaches 1.23V typical. At this point, output voltage control is transferred to the FB pin and the SS pin is discharged.

### CURRENT LIMIT

The peak current limit is set internally by directly measuring peak inductor current through the internal switch. To ensure accurate current sensing, VIN should be bypassed with a minimum 1 $\mu\text{F}$  ceramic capacitor placed directly at the pin.

When the inductor current reaches the current limit threshold, the internal FET turns off immediately allowing inductor current to ramp down until the next cycle. This reduction in duty cycle corresponds to a reduction in output voltage.

The current limit comparator is disabled for less than 100ns at the leading edge for increased immunity to switching noise.

Because the current limit monitors peak inductor current, the DC load current limit threshold varies with inductance and frequency. Assuming a minimum current limit of 1.85A, maximum load current can be calculated as follows:

$$I_{load\_max} = 1.85A - \frac{I_{ripple}}{2}$$

Where  $I_{ripple}$  is the peak-to-peak inductor ripple current, calculated as shown below:

$$I_{ripple} = \frac{(V_{in} - V_{out}) \times V_{out}}{f_{sw} \times L \times V_{in}}$$

To find the worst case (lowest) current limit threshold, use the maximum input voltage and minimum current limit specification.

During high over-current conditions, such as output short circuit, the LM26001 employs frequency foldback as a second level of protection. If the feedback voltage falls below the short circuit threshold of 0.9V, operating frequency is reduced, thereby reducing average switch current. This is especially helpful in short circuit conditions, when inductor current can rise very high during the minimum on-time. Frequency reduction begins at 20% below the nominal frequency setting. The minimum operating frequency in foldback mode is 71 kHz typical.

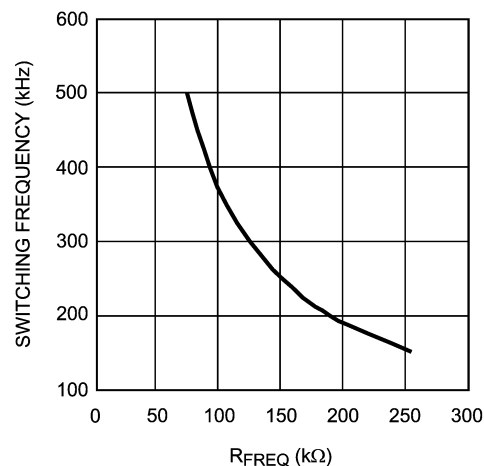
If the FB voltage falls below the frequency foldback threshold during frequency synchronized operation, the SYNC function is disabled. Operating frequency versus FB voltage in short circuit conditions is shown in the typical performance characteristics section.

In conditions where the on time is close to minimum (less than 200nsec typically), such as high input voltage and high switching frequency, the current limit may not function properly. This is because the current limit circuit cannot reduce the on-time below minimum which prevents entry into frequency foldback mode. There are two ways to ensure proper current limit and foldback operation under high input voltage conditions. First, the operating frequency can be reduced to increase the nominal on time. Second, the inductor value can be increased to slow the current ramp and reduce the peak over-current.

### FREQUENCY ADJUSTMENT AND SYNCHRONIZATION

The switching frequency of the LM26001 can be adjusted between 150 kHz and 500 kHz using a single external resistor. This resistor is connected from the FREQ pin to ground as shown in the typical application. The resistor value can be calculated with the following empirically derived equation:

$$R_{FREQ} = (6.25 \times 10^{10}) \times f_{SW}^{-1.042}$$



20179451

FIGURE 5. Switching Frequency vs  $R_{FREQ}$

The switching frequency can also be synchronized to an external clock signal using the SYNC pin. The SYNC pin allows the operating frequency to be varied above and below the nominal frequency setting. The adjustment range is from 30% above nominal to 20% below nominal. External synchronization requires a 1.2V (typical) peak signal level at the SYNC pin. The FREQ resistor must always be connected to initialize the nominal operating frequency. The operating frequency is synchronized to the falling edge of the SYNC input. When SYNC goes low, the high-side switch turns on. This allows any duty cycle to be used for the sync signal when synchronizing to a frequency higher than nominal. When synchronizing to a lower frequency, however, there is a minimum duty cycle requirement for the SYNC signal, given in the equation below:

## Operation Description (Continued)

$$\text{Sync\_Dmin} \geq 1 - \frac{f_{\text{sync}}}{f_{\text{nom}}}$$

Where  $f_{\text{nom}}$  is the nominal switching frequency set by the  $FREQ$  resistor, and  $f_{\text{sync}}$  is a square wave. If the  $SYNC$  pin is not used, it must be pulled low for normal operation. A  $10k\Omega$  pull-down resistor is recommended to protect against a missing sync signal. Although the LM26001 is designed to operate at up to 500 kHz, maximum load current may be limited at higher frequencies due to increased temperature rise. See the Thermal Considerations section.

### VBIAS

The  $VBIAS$  pin is used to bypass the internal regulator which provides the bias voltage to the LM26001. When the  $VBIAS$  pin is connected to a voltage greater than 3V, the internal regulator automatically switches over to the  $VBIAS$  input. This reduces the current into  $VIN$  ( $I_q$ ) and increases system efficiency. Using the  $VBIAS$  pin has the added benefit of reducing power dissipation within the device.

For most applications where  $3V < V_{\text{out}} < 10V$ ,  $VBIAS$  can be connected to  $V_{\text{out}}$ . If not used,  $VBIAS$  should be tied to  $GND$ .

If  $VBIAS$  drops below 2.7V (typical), the device automatically switches over to supply the internal bias voltage from  $V_{\text{in}}$ .

Total device input current is the sum of  $I_q$ , gate drive current, and  $VBIAS$  current, plus some negligible current into the  $FB$  pin. Total minimum input supply current can be calculated as shown below:

$$I_{\text{input}} = I_q + I_{\text{QG}} + \left( \frac{I_{\text{BIAS}} \times D}{\text{eff}} \right)$$

Where  $I_{\text{QG}}$  is the gate drive current, calculated as:

$$I_{\text{QG}} = (4.6 \times 10^{-9}) \times f_{\text{SW}}$$

Total supply input current varies according to load, system efficiency, and operating frequency. To calculate minimum input current during sleep mode, use  $I_{q\_Sleep\_VB}$ , and  $I_{BIAS\_SLEEP}$ .

For input current in PWM mode, use the same equation, with  $I_{q\_PWM\_VB}$ , and  $I_{BIAS\_PWM}$ .

If  $VBIAS$  is connected to ground, use the same equation with the  $I_{\text{bias}}$  term eliminated and either  $I_{q\_Sleep\_VDD}$  or  $I_{q\_PWM\_VDD}$ .

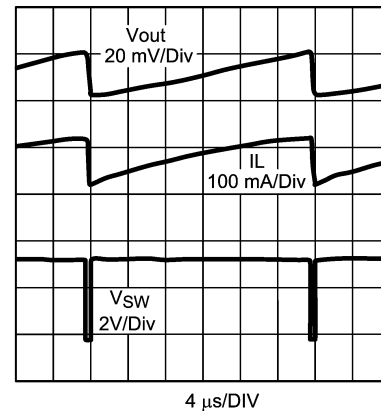
### LOW VIN OPERATION AND UVLO

The LM26001 is designed to remain operational during short line transients when input voltage may drop as low as 3.0V. Minimum nominal operating input voltage is 4.0V. Below this voltage, switch  $R_{\text{DS(ON)}}$  increases, due to the lower gate drive voltage from  $VDD$ . The minimum voltage required at  $VDD$  is approximately 3.5V for normal operation within specification.

$VDD$  can also be used as a pull-up voltage for functions such as  $PGOOD$  and  $FPWM$ . Note that if  $VDD$  is used externally, the pin is not recommended for loads greater than 1 mA.

If the input voltage approaches the nominal output voltage, the duty cycle is maximized to hold up the output voltage. In

this mode of operation, once the duty cycle reaches its maximum, the LM26001 can skip a maximum of seven off pulses, effectively increasing the duty cycle and thus minimizing the dropout from input to output. Typical off-pulse skipping waveforms are shown below.



**FIGURE 6. Off-pulse Skipping Waveforms**  
 $V_{\text{in}} = 3.5V$ ,  $V_{\text{nom}} = 3.3V$ ,  $f_{\text{nom}} = 305kHz$

$UVLO$  is sensed at both  $VIN$  and  $VDD$ , and is activated when either voltage falls below 2.9V (typical). Although  $VDD$  is typically less than 200mV below  $VIN$ , it will not discharge through  $VIN$ . Therefore when the  $VIN$  voltage drops rapidly,  $VDD$  may remain high, especially in sleep mode. For fast line voltage transients, using a larger capacitor at the  $VDD$  pin can help to hold off a  $UVLO$  shutdown by extending the  $VDD$  discharge time. By holding up  $VDD$ , a larger cap can also reduce the  $R_{\text{DS(ON)}}$  (and dropout voltage) in low  $VIN$  conditions. Alternately, under heavy loading the  $VDD$  voltage can fall several hundred mV below  $VIN$ . In this case,  $UVLO$  may be triggered by  $VDD$  even though the  $VIN$  voltage is above the  $UVLO$  threshold.

When  $UVLO$  is activated the LM26001 enters a standby state in which  $VDD$  remains charged. As input voltage and  $VDD$  voltage rise above 3.9V (typical) the device will restart from softstart mode.

### PGOOD

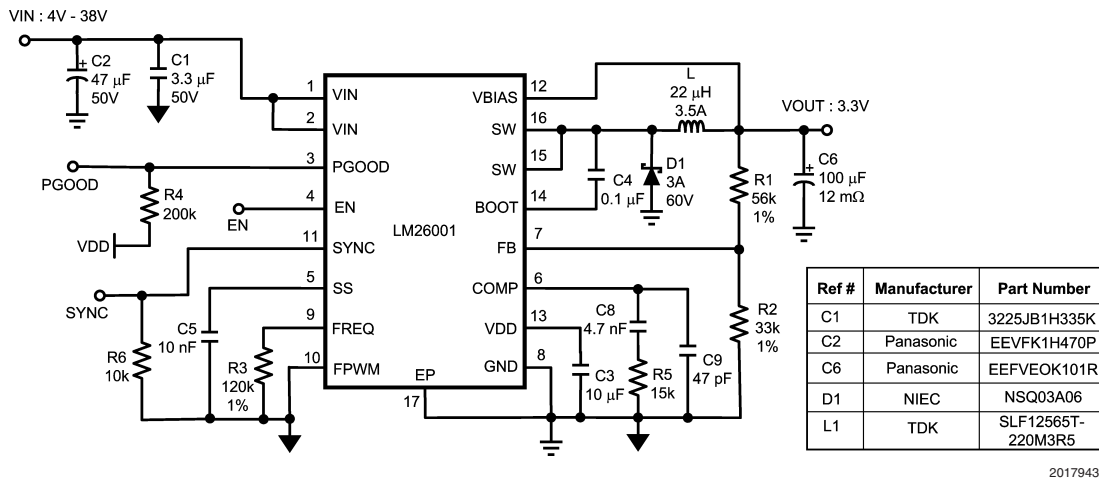
A power good pin,  $PGOOD$ , is available to monitor the output voltage status. The pin is internally connected to an open drain MOSFET, which remains open while the output voltage is within operating range.  $PGOOD$  goes low (low impedance to ground) when the output falls below 85% of nominal or  $EN$  is pulled low. When the output voltage returns to within 92% of nominal, as measured at the  $FB$  pin,  $PGOOD$  returns to a high state. For improved noise immunity, there is a 5 $\mu$ s delay between the  $PGOOD$  threshold and the  $PGOOD$  pin going low.

## Design Information

### EXAMPLE CIRCUIT

Figure 7 shows a complete typical application schematic. The components have been selected based on the design criteria given in the following sections.

## Design Information (Continued)



20179430

**FIGURE 7. Example Circuit**  
1.5A Max, 305 kHz

### SETTING OUTPUT VOLTAGE

The output voltage is set by the ratio of a voltage divider at the FB pin as shown in the typical application. The resistor values can be determined by the following equation:

$$R2 = \frac{R1}{\left(\frac{V_{out}}{V_{fb}} - 1\right)}$$

Where  $V_{fb} = 1.234V$  typically.

A maximum value of 150kΩ is recommended for the sum of R1 and R2.

As input voltage decreases towards the nominal output voltage, the LM26001 can skip up to seven off-pulses as described in the Low Vin Operation section. In low output voltage applications, if the on-time reaches  $T_{on\_MIN}$ , the device will skip on-pulses to maintain regulation. There is no limit to the number of pulses that are skipped. In this mode of operation, however, output ripple voltage may increase slightly.

### INDUCTOR

The output inductor should be selected based on inductor ripple current. The amount of inductor ripple current compared to load current, or ripple content, is defined as  $I_{ripple}/I_{load}$ . Ripple content should be less than 40%. Inductor ripple current,  $I_{ripple}$ , can be calculated as shown below:

$$I_{ripple} = \frac{(V_{in} - V_{out}) \times V_{out}}{f_{sw} \times L \times V_{in}}$$

Larger ripple content increases losses in the inductor and reduces the effective current limit.

Larger inductance values result in lower output ripple voltage and higher efficiency, but a slightly degraded transient response. Lower inductance values allow for smaller case size, but the increased ripple lowers the effective current limit threshold.

Remember that inductor value also affects the sleep mode threshold as shown in Figure 3.

When choosing the inductor, the saturation current rating must be higher than the maximum peak inductor current and the RMS current rating should be higher than the maximum load current. Peak inductor current,  $I_{peak}$ , is calculated as:

$$I_{peak} = I_{load} + \frac{I_{ripple}}{2}$$

For example, at a maximum load of 1.5A and a ripple content of 40%, peak inductor current is equal to 1.8A which is safely below the minimum current limit of 1.85A. By increasing the inductor size, ripple content and peak inductor current are lowered, which increases the current limit margin.

The size of the output inductor can also be determined using the desired output ripple voltage,  $V_{rip}$ . The equation to determine the minimum inductance value based on  $V_{rip}$  is as follows:

$$L_{MIN} = \frac{(V_{in} - V_{out}) \times V_{out} \times R_e}{V_{in} \times f_{sw} \times V_{rip}}$$

Where  $R_e$  is the ESR of the output capacitors, and  $V_{rip}$  is a peak-to-peak value. This equation assumes that the output capacitors have some amount of ESR. It does not apply to ceramic output capacitors.

If this method is used, ripple content should still be verified to be less than 40%.

### OUTPUT CAPACITOR

The primary criterion for selecting an output capacitor is equivalent series resistance, or ESR.

ESR ( $R_e$ ) can be selected based on the requirements for output ripple voltage and transient response. Once an inductor value has been selected, ripple voltage can be calculated for a given  $R_e$  using the equation above for  $L_{min}$ . Lower ESR values result in lower output ripple.

## Design Information (Continued)

$R_e$  can also be calculated from the following equation:

$$R_{eMAX} = \frac{\Delta V_t}{\Delta I_t}$$

Where  $\Delta V_t$  is the allowed voltage excursion during a load transient, and  $\Delta I_t$  is the maximum expected load transient.

If the total ESR is too high, the load transient requirement cannot be met, no matter how large the output capacitance.

If the ESR criteria for ripple voltage and transient excursion cannot be met, more capacitors should be used in parallel.

For non-ceramic capacitors, the minimum output capacitance is of secondary importance, and is determined only by the load transient requirement.

If there is not enough capacitance, the output voltage excursion will exceed the maximum allowed value even if the maximum ESR requirement is met. The minimum capacitance is calculated as follows:

$$C_{MIN} = \frac{L \times (\Delta V_t - \sqrt{(\Delta V_t)^2 - (\Delta I_t \times R_e)^2})}{V_{out} \times R_e^2}$$

It is assumed the total ESR,  $R_e$ , is no greater than  $R_{eMAX}$ . Also, it is assumed that  $L$  has already been selected.

Generally speaking, the output capacitance requirement decreases with  $R_e$ ,  $\Delta I_t$ , and  $L$ . A typical value greater than 100  $\mu F$  works well for most applications.

### INPUT CAPACITOR

In a switching converter, very fast switching pulse currents are drawn from the input rail. Therefore, input capacitors are required to reduce noise, EMI, and ripple at the input to the LM26001. Capacitors must be selected that can handle both the maximum ripple RMS current at highest ambient temperature as well as the maximum input voltage. The equation for calculating the RMS input ripple current is shown below:

$$I_{rms} = \frac{I_{load} \times \sqrt{V_{out} \times (V_{in} - V_{out})}}{V_{in}}$$

For noise suppression, a ceramic capacitor in the range of 1.0  $\mu F$  to 10  $\mu F$  should be placed as close as possible to the VIN pin.

A larger, high ESR input capacitor should also be used. This capacitor is recommended for damping input voltage spikes during power on and for holding up the input voltage during transients. In low input voltage applications, line transients may fall below the UVLO threshold if there is not enough input capacitance. Both tantalum and electrolytic type capacitors are suitable for the bulk capacitor. However, large tantalums may not be available for high input voltages and their working voltage must be derated by at least 2X.

### BOOTSTRAP

The drive voltage for the internal switch is supplied via the BOOT pin. This pin must be connected to a ceramic capacitor, Cboot, from the switch node, shown as C4 in the typical application. The LM26001 provides the VDD voltage inter-

nally, so no external diode is needed. A minimum value of 0.1  $\mu F$  is recommended for Cboot. Smaller values may result in insufficient hold up time for the drive voltage and increased power dissipation.

During low  $V_{in}$  operation, when the on-time is extended, the bootstrap capacitor is at risk of discharging. If the Cboot capacitor is discharged below approximately 2.5V, the LM26001 enters a high frequency re-charge mode. The Cboot cap is re-charged via the LG synchronous FET shown in the block diagram. Switching returns to normal when the Cboot cap has been recharged.

### CATCH DIODE

When the internal switch is off, output current flows through the catch diode. Alternately, when the switch is on, the diode sees a reverse voltage equal to  $V_{in}$ . Therefore, the important parameters for selecting the catch diode are peak current and peak inverse voltage. The average current through the diode is given by:

$$I_{DAVE} = I_{load} \times (1-D)$$

Where  $D$  is the duty cycle, defined as  $V_{out}/V_{in}$ . The catch diode conducts the largest currents during the lowest duty cycle. Therefore  $I_{DAVE}$  should be calculated assuming maximum input voltage. The diode should be rated to handle this current continuously. For over-current or short circuit conditions, the catch diode should be rated to handle peak currents equal to the peak current limit.

The peak inverse voltage rating of the diode must be greater than maximum input voltage.

A Schottky diode must be used. It's low forward voltage maximizes efficiency and BOOT voltage, while also protecting the SW pin against large negative voltage spikes

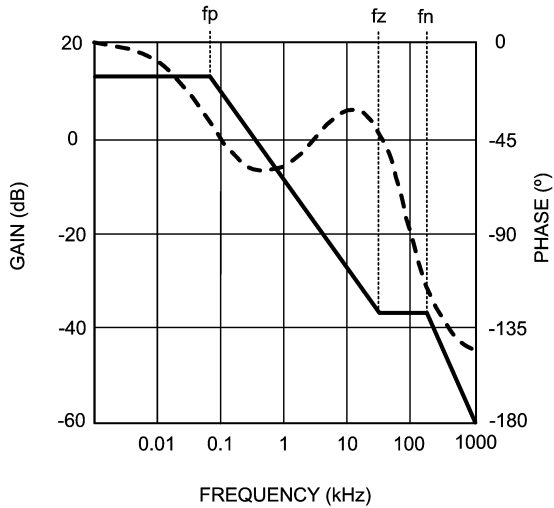
### COMPENSATION

The purpose of loop compensation is to ensure stable operation while maximizing dynamic performance. Stability can be analyzed with loop gain measurements, while dynamic performance is analyzed with both loop gain and load transient response. Loop gain is equal to the product of control-output transfer function (power stage) and the feedback transfer function (the compensation network).

For stability purposes, our target is to have a loop gain slope that is -20dB/decade from a very low frequency to beyond the crossover frequency. Also, the crossover frequency should not exceed one-fifth of the switching frequency, i.e. 60 kHz in the case of 300 kHz switching frequency.

For dynamic purposes, the higher the bandwidth, the faster the load transient response. A large DC gain means high DC regulation accuracy (i.e. DC voltage changes little with load or line variations). To achieve this loop gain, the compensation components should be set according to the shape of the control-output bode plot. A typical plot is shown in Figure 8 below.

## Design Information (Continued)



20179438

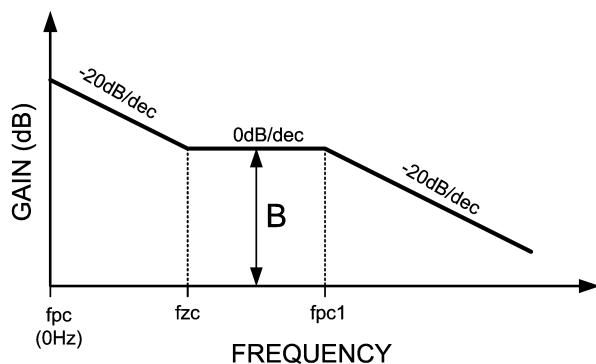
**FIGURE 8. Control-Output Transfer Function**

The control-output transfer function consists of one pole ( $f_p$ ), one zero ( $f_z$ ), and a double pole at  $f_n$  (half the switching frequency).

Referring to Figure 8, the following should be done to create a -20dB/decade roll-off of the loop gain:

1. Place a pole at 0Hz ( $f_{pc}$ )
2. Place a zero at  $f_p$  ( $f_{zc}$ )
3. Place a second pole at  $f_z$  ( $f_{pc1}$ )

The resulting feedback (compensation) bode plot is shown below in Figure 9. Adding the control-output response to the feedback response will then result in a nearly continuous -20dB/decade slope.



20179439

**FIGURE 9. Feedback Transfer Function**

The control-output corner frequencies can be determined approximately by the following equations:

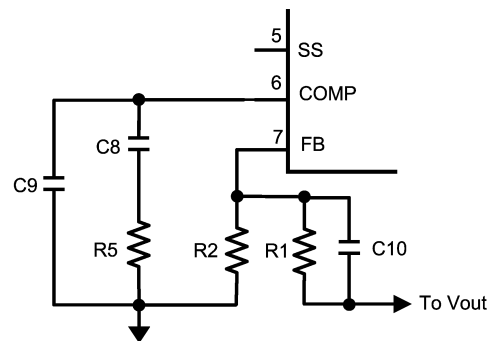
$$f_z = \frac{1}{2\pi \times R_e \times C_o}$$

$$f_p = \frac{1}{10 \times \pi \times R_o \times C_o} + \frac{0.5}{2 \times \pi \times L \times f_{sw} \times C_o}$$

$$f_n = \frac{f_{sw}}{2}$$

Where  $C_o$  is the output capacitance,  $R_o$  is the load resistance,  $R_e$  is the output capacitor ESR, and  $f_{sw}$  is the switching frequency. The effects of slope compensation and current sense gain are included in this equation. However, the equation is an approximation intended to simplify loop compensation calculations. To derive the exact transfer function, use 0.2V/V sense amp gain and 36mVp-p slope compensation.

Since  $f_p$  is determined by the output network, it shifts with loading. Determine the range of frequencies ( $f_{pmin}/f_{pmax}$ ) across the expected load range. Then determine the compensation values as described below and shown in Figure 10.



20179443

**FIGURE 10. Compensation Network**

1. The compensation network automatically introduces a low frequency pole ( $f_{pc}$ ), which is close to 0Hz.
2. Once the  $f_p$  range is determined,  $R_5$  should be calculated using:

$$R_5 = \frac{B}{g_m} \times \left( \frac{R_1 + R_2}{R_2} \right)$$

Where  $B$  is the desired feedback gain in v/v between  $f_p$  and  $f_z$ , and  $g_m$  is the transconductance of the error amplifier. A gain value around 10dB (3.3v/v) is generally a good starting point. Bandwidth increases with increasing values of  $R_5$ .

3. Next, place a zero ( $f_{zc}$ ) near  $f_p$  using  $C_8$ .  $C_8$  can be determined with the following equation:

$$C_8 = \frac{1}{2 \times \pi \times f_{P_{MAX}} \times R_5}$$

The selected value of  $C_8$  should place  $f_{zc}$  within a decade above or below  $f_{pmax}$ , and not less than  $f_{pmin}$ . A higher  $C_8$  value (closer to  $f_{pmin}$ ) generally provides a more stable loop, but too high a value will slow the transient response time. Conversely, a smaller  $C_8$  value will result in a faster transient response, but lower phase margin.

## Design Information (Continued)

4. A second pole (fpc1) can also be placed at fz. This pole can be created with a single capacitor, C9. The minimum value for this capacitor can be calculated by:

$$C9 = \frac{1}{2 \times \pi \times fz \times R5}$$

C9 may not be necessary in all applications. However if the operating frequency is being synchronized below the nominal frequency, C9 is recommended. Although it is not required for stability, C9 is very helpful in suppressing noise.

A phase lead capacitor can also be added to increase the phase and gain margins. The phase lead capacitor is most helpful for high input voltage applications or when synchronizing to a frequency greater than nominal. This capacitor, shown as C10 in Figure 10, should be placed in parallel with the top feedback resistor, R1. C10 introduces an additional zero and pole to the compensation network. These frequencies can be calculated as shown below:

$$fzff = \frac{1}{2 \times \pi \times R1 \times C10}$$

$$fpcf = \frac{fzff \times Vout}{Vfb}$$

A phase lead capacitor will boost loop phase around the region of the zero frequency, fzff. fzff should be placed somewhat below the fpz1 frequency set by C9. However, if C10 is too large, it will have no effect.

## PCB Layout

Good board layout is critical for switching regulators such as the LM26001. First, the ground plane area must be sufficient for thermal dissipation purposes, and second, appropriate guidelines must be followed to reduce the effects of switching noise.

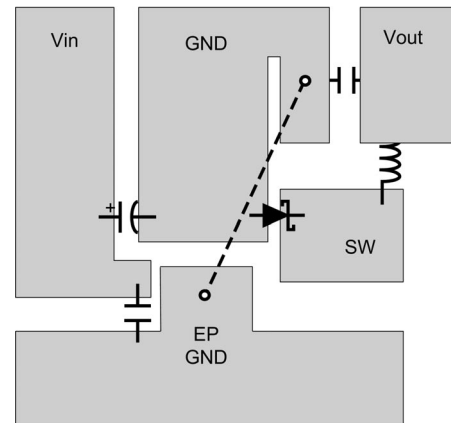
Switch mode converters are very fast switching devices. In such devices, the rapid increase of input current combined with parasitic trace inductance generates unwanted Ldi/dt noise spikes at the SW node and also at the VIN node. The magnitude of this noise tends to increase as the output current increases. This parasitic spike noise may turn into electromagnetic interference (EMI), and can also cause problems in device performance. Therefore, care must be taken in layout to minimize the effect of this switching noise.

The current sensing circuit in current mode devices can be easily effected by switching noise. This noise can cause duty cycle jitter which leads to increased spectral noise. Although the LM26001 has 100ns blanking time at the beginning of every cycle to ignore this noise, some noise may remain after the blanking time. Following the important guidelines below will help minimize switching noise and its effect on current sensing.

The switch node area should be as small as possible. The catch diode, input capacitors, and output capacitors should be grounded to a large ground plane, with the bulk input capacitor grounded as close as possible to the catch diode

anode. Additionally, the ground area between the catch diode and bulk input capacitor is very noisy and should be somewhat isolated from the rest of the ground plane.

A ceramic input capacitor must be connected as close as possible to the VIN pin and grounded close to the GND pin. Often this capacitor is most easily located on the bottom side of the pcb. If placement close to the GND pin is not practical, the ceramic input capacitor can also be grounded close to the catch diode ground. The above layout recommendations are illustrated below in Figure 11.



20179449

FIGURE 11. Example PCB Layout

It is a good practice to connect the EP, GND pin, and small signal components (COMP, FB, FREQ) to a separate ground plane, shown in Figure 11 as EP GND, and in the schematics as a signal ground symbol. Both the exposed pad and the GND pin must be connected to ground. This quieter plane should be connected to the high current ground plane at a quiet location, preferably near the Vout ground as shown by the dashed line in Figure 11.

The EP GND plane should be made as large as possible, since it is also used for thermal dissipation. Several vias can be placed directly below the EP to increase heat flow to other layers when they are available. The recommended via hole diameter is 0.3mm.

The trace from the FB pin to the resistor divider should be short and the entire feedback trace must be kept away from the inductor and switch node. See Application Note AN-1229 for more information regarding PCB layout for switching regulators.

## Thermal Considerations and TSD

Although the LM26001 has a built in current limit, at ambient temperatures above 80°C, device temperature rise may limit the actual maximum load current. Therefore, temperature rise must be taken into consideration to determine the maximum allowable load current.

Temperature rise is a function of the power dissipation within the device. The following equations can be used to calculate power dissipation (PD) and temperature rise, where total PD is the sum of FET switching losses, FET DC losses, drive losses, Iq, and VBIAS losses:

$$PD_{TOTAL} = P_{SW_{AC}} + P_{SW_{DC}} + P_{QG} + P_{Iq} + P_{VBIAS}$$

## Thermal Considerations and TSD

(Continued)

$$P_{sw\_AC} = V_{in} \times I_{load} \times f_{sw} \times \left( \frac{V_{in} \times 10^{-9}}{1.33} \right)$$

$$P_{sw\_DC} = D \times I_{load}^2 \times (0.2 + 0.00065 \times (T_j - 25))$$

$$P_{QG} = V_{in} \times 4.6 \times 10^{-9} \times f_{sw}$$

$$P_{Iq} = V_{in} \times I_q$$

$$P_{VBIAS} = V_{bias} \times I_{VBIAS}$$

Given this total power dissipation, junction temperature can be calculated as follows:

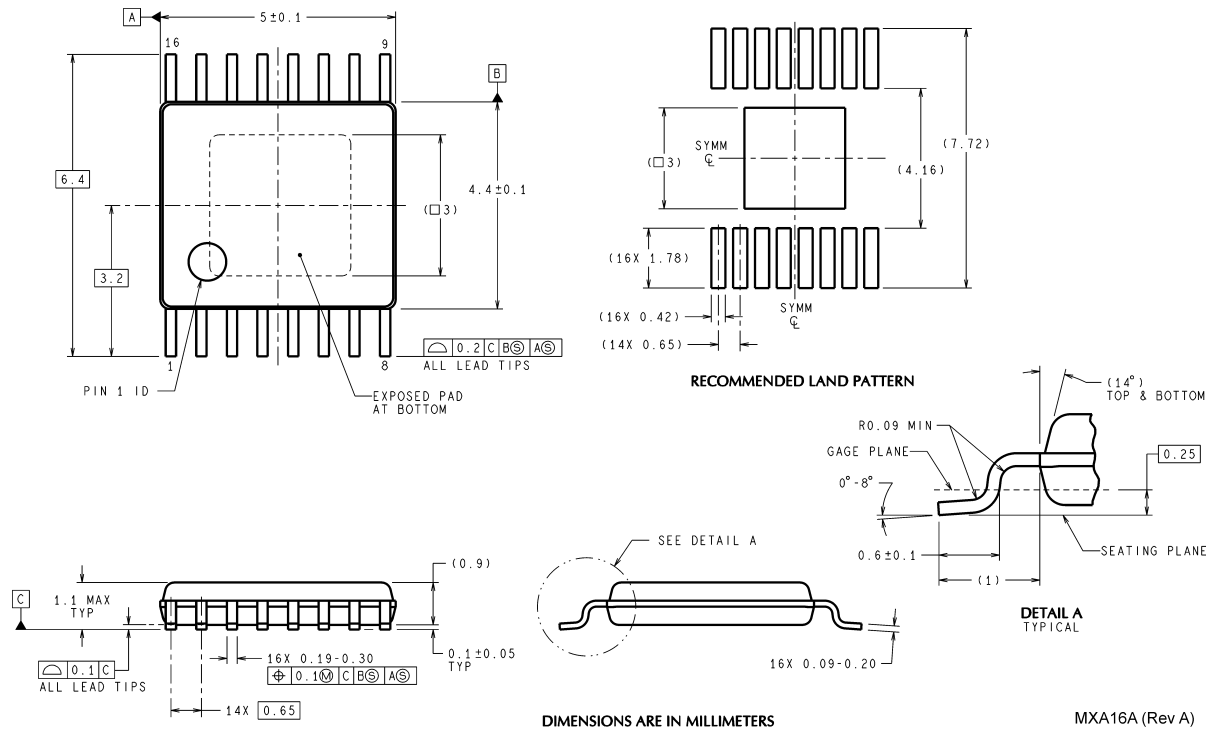
$$T_j = T_a + (P_{D\_TOTAL} \times \theta_{JA})$$

Where  $\theta_{JA}=38^\circ\text{C/W}$  (typically) when using a multi-layer board with a large copper plane area.  $\theta_{JA}$  varies with board type and metallization area.

To calculate the maximum allowable power dissipation, assume  $T_j = 125^\circ\text{C}$ . To ensure that junction temperature does not exceed the maximum operating rating of  $125^\circ\text{C}$ , power dissipation should be verified at the maximum expected operating frequency, ambient temperature, and input voltage. The calculated maximum load current is based on continuous operation and may be exceeded during transient conditions.

If the power dissipation remains above the maximum allowable level, device temperature will continue to rise. When the junction temperature exceeds its maximum, the LM26001 engages Thermal Shut Down (TSD). In TSD, the part remains in a shutdown state until the junction temperature falls to within normal operating limits. At this point, the device restarts in soft-start mode.

## Physical Dimensions inches (millimeters) unless otherwise noted



**eTSSOP-16 Package**  
**16-Lead Exposed Pad TSSOP Package**  
**NS Package Number MXA16A**

MXA16A (Rev A)

National does not assume any responsibility for use of any circuitry described, no circuit patent licenses are implied and National reserves the right at any time without notice to change said circuitry and specifications.

For the most current product information visit us at [www.national.com](http://www.national.com).

### LIFE SUPPORT POLICY

NATIONAL'S PRODUCTS ARE NOT AUTHORIZED FOR USE AS CRITICAL COMPONENTS IN LIFE SUPPORT DEVICES OR SYSTEMS WITHOUT THE EXPRESS WRITTEN APPROVAL OF THE PRESIDENT AND GENERAL COUNSEL OF NATIONAL SEMICONDUCTOR CORPORATION. As used herein:

1. Life support devices or systems are devices or systems which, (a) are intended for surgical implant into the body, or (b) support or sustain life, and whose failure to perform when properly used in accordance with instructions for use provided in the labeling, can be reasonably expected to result in a significant injury to the user.
2. A critical component is any component of a life support device or system whose failure to perform can be reasonably expected to cause the failure of the life support device or system, or to affect its safety or effectiveness.

### BANNED SUBSTANCE COMPLIANCE

National Semiconductor manufactures products and uses packing materials that meet the provisions of the Customer Products Stewardship Specification (CSP-9-111C2) and the Banned Substances and Materials of Interest Specification (CSP-9-111S2) and contain no "Banned Substances" as defined in CSP-9-111S2.

Leadfree products are RoHS compliant.



**National Semiconductor**  
**Americas Customer**  
**Support Center**  
 Email: [new.feedback@nsc.com](mailto:new.feedback@nsc.com)  
 Tel: 1-800-272-9959

**National Semiconductor**  
**Europe Customer Support Center**  
 Fax: +49 (0) 180-530 85 86  
 Email: [europe.support@nsc.com](mailto:europe.support@nsc.com)  
 Deutsch Tel: +49 (0) 69 9508 6208  
 English Tel: +44 (0) 870 24 0 2171  
 Français Tel: +33 (0) 1 41 91 8790

**National Semiconductor**  
**Asia Pacific Customer**  
**Support Center**  
 Email: [ap.support@nsc.com](mailto:ap.support@nsc.com)

**National Semiconductor**  
**Japan Customer Support Center**  
 Fax: 81-3-5639-7507  
 Email: [jpn.feedback@nsc.com](mailto:jpn.feedback@nsc.com)  
 Tel: 81-3-5639-7560