

# LMV821 Single/ LMV822 Dual/ LMV824 Quad

## Low Voltage, Low Power, R-to-R Output, 5 MHz Op Amps

### General Description

The LMV821/LMV822/LMV824 bring performance and economy to low voltage / low power systems. With a 5 MHz unity-gain frequency and a guaranteed 1.4 V/ $\mu$ s slew rate, the quiescent current is only 220  $\mu$ A/amplifier (2.7 V). They provide rail-to-rail (R-to-R) output swing into heavy loads (600  $\Omega$  Guarantees). The input common-mode voltage range includes ground, and the maximum input offset voltage is 3.5mV (Guaranteed). They are also capable of comfortably driving large capacitive loads (refer to the application notes section).

The LMV821 (single) is available in the ultra tiny SC70-5 package, which is about half the size of the previous title holder, the SOT23-5.

Overall, the LMV821/LMV822/LMV824 (Single/Dual/Quad) are low voltage, low power, performance op amps, that can be designed into a wide range of applications, at an economical price.

### Features

(For Typical, 5 V Supply Values; Unless Otherwise Noted)

- Ultra Tiny, SC70-5 Package      2.0 x 2.0 x 1.0 mm

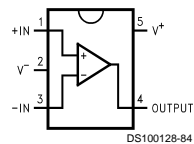
- Guaranteed 2.5 V, 2.7 V and 5 V Performance
- Maximum VOS      3.5 mV (Guaranteed)
- VOS Temp. Drift      1  $\mu$ V/ $^{\circ}$ C
- GBW product @ 2.7 V      5 MHz
- $I_{Supply}$  @ 2.7 V      220  $\mu$ A/Amplifier
- Minimum SR      1.4 V/ $\mu$ s (Guaranteed)
- CMRR      90 dB
- PSRR      85 dB
- Rail-to-Rail (R-to-R) Output Swing
  - @600  $\Omega$  Load      160 mV from rail
  - @10 k $\Omega$  Load      55 mV from rail
- $V_{CM}$  @ 5 V      -0.3 V to 4.3 V
- Stable with High Capacitive Loads (Refer to Application Section)

### Applications

- Cordless Phones
- Cellular Phones
- Laptops
- PDAs
- PCMCIA

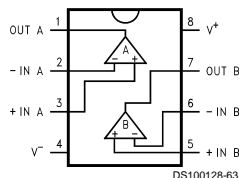
### Connection Diagrams

5-Pin SC70-5/SOT23-5



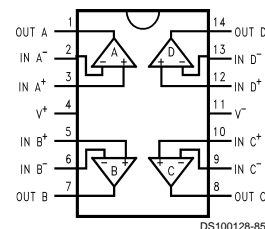
Top View

8-Pin SO/MSOP



Top View

14-Pin SO/TSSOP



Top View

## Ordering Information

| Package       | Temperature Range            | Packaging Marking | Transport Media          | NSC Drawing |
|---------------|------------------------------|-------------------|--------------------------|-------------|
|               | Industrial<br>-40°C to +85°C |                   |                          |             |
| 5-Pin SC-70-5 | LMV821M7                     | A15               | 1k Units Tape and Reel   | MAA05       |
|               | LMV821M7X                    | A15               | 3k Units Tape and Reel   |             |
| 5-Pin SOT23-5 | LMV821M5                     | A14               | 1k Units Tape and Reel   | MA05B       |
|               | LMV821M5X                    | A14               | 3k Units Tape and Reel   |             |
| 8-Pin SO      | LMV822M                      | LMV822M           | Rails                    | M08A        |
|               | LMV822MX                     | LMV822M           | 2.5k Units Tape and Reel |             |
| 8-Pin MSOP    | LMV822MM                     | LMV822            | 1k Units Tape and Reel   | MUA08A      |
|               | LMV822MMX                    | LMV822            | 3.5k Units Tape and Reel |             |
| 14-Pin SO     | LMV824M                      | LMV824M           | Rails                    | M14A        |
|               | LMV824MX                     | LMV824M           | 2.5k Units Tape and Reel |             |
| 14-Pin TSSOP  | LMV824MT                     | LMV824MT          | Rails                    | MTC14       |
|               | LMV824MTX                    | LMV824MT          | 2.5k Units Tape and Reel |             |

## Absolute Maximum Ratings (Note 1)

If Military/Aerospace specified devices are required, please contact the National Semiconductor Sales Office/ Distributors for availability and specifications.

|  |                  |
|--|------------------|
| ESD Tolerance (Note 2)                 |                  |
| Machine Model                          | 100V             |
| Human Body Model                       |                  |
| LMV822/824                             | 2000V            |
| LMV821                                 | 1500V            |
| Differential Input Voltage             | ± Supply Voltage |
| Supply Voltage ( $V^+ - V^-$ )         | 5.5V             |
| Output Short Circuit to $V^+$ (Note 3) |                  |
| Output Short Circuit to $V^-$ (Note 3) |                  |
| Soldering Information                  |                  |
| Infrared or Convection (20 sec)        | 235°C            |
| Storage Temperature Range              | -65°C to 150°C   |
| Junction Temperature (Note 4)          | 150°C            |

## Operating Ratings (Note 1)

|  |                               |
|--|-------------------------------|
| Supply Voltage                         | 2.5V to 5.5V                  |
| Temperature Range                      |                               |
| LMV821, LMV822, LMV824                 | -40°C ≤ T <sub>J</sub> ≤ 85°C |
| Thermal Resistance ( $\theta_{JA}$ )   |                               |
| Ultra Tiny SC70-5 Package              | 440 °C/W                      |
| 5-Pin Surface Mount                    |                               |
| Tiny SOT23-5 Package                   | 265 °C/W                      |
| Surface Mount                          |                               |
| SO Package, 8-Pin Surface Mount        | 190 °C/W                      |
| MSOP Package, 8-Pin Mini Surface Mount | 235 °C/W                      |
| SO Package, 14-Pin Surface Mount       | 145 °C/W                      |
| TSSOP Package, 14-Pin                  | 155 °C/W                      |

## 2.7V DC Electrical Characteristics

Unless otherwise specified, all limits guaranteed for T<sub>J</sub> = 25°C. V<sup>+</sup> = 2.7V, V<sup>-</sup> = 0V, V<sub>CM</sub> = 1.0V, V<sub>O</sub> = 1.35V and R<sub>L</sub> > 1 MΩ. **Boldface** limits apply at the temperature extremes.

| Symbol            | Parameter                             | Condition  | Typ (Note 5)    | LMV821/822/824 Limit (Note 6) | Units                |
|-------------------|---------------------------------------|--|-----------------|-------------------------------|----------------------|
| V <sub>OS</sub>   | Input Offset Voltage                  |  | 1               | 3.5<br><b>4</b>               | mV<br>max            |
| TCV <sub>OS</sub> | Input Offset Voltage Average Drift    |  | 1               |                               | μV/°C                |
| I <sub>B</sub>    | Input Bias Current                    |  | 30              | 90<br><b>140</b>              | nA<br>max            |
| I <sub>OS</sub>   | Input Offset Current                  |  | 0.5             | 30<br><b>50</b>               | nA<br>max            |
| CMRR              | Common Mode Rejection Ratio           | 0V ≤ V <sub>CM</sub> ≤ 1.7V  | 85              | 70<br><b>68</b>               | dB<br>min            |
| +PSRR             | Positive Power Supply Rejection Ratio | 1.7V ≤ V <sup>+</sup> ≤ 4V, V <sup>-</sup> = 1V, V <sub>O</sub> = 0V, V <sub>CM</sub> = 0V       | 85              | 75<br><b>70</b>               | dB<br>min            |
| -PSRR             | Negative Power Supply Rejection Ratio | -1.0V ≤ V <sup>-</sup> ≤ -3.3V, V <sup>+</sup> = 1.7V, V <sub>O</sub> = 0V, V <sub>CM</sub> = 0V | 85              | 73<br><b>70</b>               | dB<br>min            |
| V <sub>CM</sub>   | Input Common-Mode Voltage Range       | For CMRR ≥ 50dB  | -0.3<br><br>2.0 | -0.2<br><br>1.9               | V<br>max<br>V<br>min |
| A <sub>V</sub>    | Large Signal Voltage Gain             | Sourcing, R <sub>L</sub> =600Ω to 1.35V, V <sub>O</sub> =1.35V to 2.2V                           | 100             | 90<br><b>85</b>               | dB<br>min            |
|                   |                                       | Sinking, R <sub>L</sub> =600Ω to 1.35V, V <sub>O</sub> =1.35V to 0.5V                            | 90              | 85<br><b>80</b>               | dB<br>min            |
|                   |                                       | Sourcing, R <sub>L</sub> =2kΩ to 1.35V, V <sub>O</sub> =1.35V to 2.2V                            | 100             | 95<br><b>90</b>               | dB<br>min            |
|                   |                                       | Sinking, R <sub>L</sub> =2kΩ to 1.35, V <sub>O</sub> =1.35 to 0.5V                               | 95              | 90<br><b>85</b>               | dB<br>min            |

## 2.7V DC Electrical Characteristics (Continued)

Unless otherwise specified, all limits guaranteed for  $T_J = 25^\circ\text{C}$ .  $V^+ = 2.7\text{V}$ ,  $V^- = 0\text{V}$ ,  $V_{\text{CM}} = 1.0\text{V}$ ,  $V_O = 1.35\text{V}$  and  $R_L > 1\text{M}\Omega$ . **Boldface** limits apply at the temperature extremes.

| Symbol | Parameter      | Condition   | Typ<br>(Note 5) | LMV821/822/824<br>Limit (Note 6) | Units |
|--------|----------------|---|-----------------|----------------------------------|-------|
| $V_O$  | Output Swing   | $V^+ = 2.7\text{V}$ , $R_L = 600\Omega$ to $1.35\text{V}$       | 2.58            | 2.50                             | V     |
|        |                |   | <b>2.40</b>     | <b>2.40</b>                      | min   |
|        |                | $V^+ = 2.7\text{V}$ , $R_L = 2\text{k}\Omega$ to $1.35\text{V}$ | 0.13            | 0.20                             | V     |
|        |                |   | <b>0.30</b>     | <b>0.30</b>                      | max   |
| $I_O$  | Output Current | Sourcing, $V_O = 0\text{V}$                                     | 16              | 12                               | mA    |
|        |                |   | <b>12</b>       | <b>12</b>                        | min   |
|        |                | Sinking, $V_O = 2.7\text{V}$                                    | 26              | 12                               | mA    |
|        |                |   | <b>12</b>       | <b>12</b>                        | min   |
| $I_S$  | Supply Current | LMV821 (Single)   | 0.22            | 0.3                              | mA    |
|        |                | <b>0.5</b>  | <b>0.5</b>      | max                              |       |
|        |                | LMV822 (Dual)   | 0.45            | 0.6                              | mA    |
|        |                | <b>0.8</b>  | <b>0.8</b>      | max                              |       |
|        |                | LMV824 (Quad)   | 0.72            | 1.0                              | mA    |
|        |                |   | <b>1.2</b>      | <b>1.2</b>                       | max   |

## 2.5V DC Electrical Characteristics

Unless otherwise specified, all limits guaranteed for  $T_J = 25^\circ\text{C}$ .  $V^+ = 2.5\text{V}$ ,  $V^- = 0\text{V}$ ,  $V_{\text{CM}} = 1.0\text{V}$ ,  $V_O = 1.25\text{V}$  and  $R_L > 1\text{M}\Omega$ . **Boldface** limits apply at the temperature extremes.

| Symbol          | Parameter            | Condition   | Typ<br>(Note 5) | LMV821/822/824<br>Limit (Note 6) | Units |
|-----------------|----------------------|---|-----------------|----------------------------------|-------|
| $V_{\text{OS}}$ | Input Offset Voltage |   | 1               | 3.5                              | mV    |
|                 |                      |   |                 | <b>4</b>                         | max   |
| $V_O$           | Output Swing         | $V^+ = 2.5\text{V}$ , $R_L = 600\Omega$ to $1.25\text{V}$       | 2.37            | 2.30                             | V     |
|                 |                      |   | <b>2.20</b>     | <b>2.20</b>                      | min   |
|                 |                      | $V^+ = 2.5\text{V}$ , $R_L = 2\text{k}\Omega$ to $1.25\text{V}$ | 0.13            | 0.20                             | V     |
|                 |                      |   | <b>0.30</b>     | <b>0.30</b>                      | max   |
| $I_O$           | Output Current       | Sourcing, $V_O = 0\text{V}$                                     | 2.46            | 2.40                             | V     |
|                 |                      |   | <b>2.30</b>     | <b>2.30</b>                      | min   |
|                 |                      | Sinking, $V_O = 2.5\text{V}$                                    | 0.08            | 0.12                             | V     |
|                 |                      |   | <b>0.20</b>     | <b>0.20</b>                      | max   |

## 2.7V AC Electrical Characteristics

Unless otherwise specified, all limits guaranteed for  $T_J = 25^\circ\text{C}$ .  $V^+ = 2.7\text{V}$ ,  $V^- = 0\text{V}$ ,  $V_{\text{CM}} = 1.0\text{V}$ ,  $V_O = 1.35\text{V}$  and  $R_L > 1\text{M}\Omega$ . **Boldface** limits apply at the temperature extremes.

| Symbol   | Parameter                   | Conditions                                      | Typ<br>(Note 5) | LMV821/822/824 Limit<br>(Note 6) | Units                                |
|----------|-----------------------------|---|-----------------|----------------------------------|--------------------------------------|
| SR       | Slew Rate                   | (Note 7)  | 1.5             |                                  | V/ $\mu\text{s}$                     |
| GBW      | Gain-Bandwidth Product      |   | 5               |                                  | MHz                                  |
| $\Phi_m$ | Phase Margin                |   | 61              |                                  | Deg.                                 |
| $G_m$    | Gain Margin                 |   | 10              |                                  | dB                                   |
|          | Amp-to-Amp Isolation        | (Note 8)  | 135             |                                  | dB                                   |
| $e_n$    | Input-Related Voltage Noise | $f = 1\text{kHz}$ , $V_{\text{CM}} = 1\text{V}$ | 28              |                                  | $\frac{\text{nV}}{\sqrt{\text{Hz}}}$ |

## 2.7V AC Electrical Characteristics (Continued)

Unless otherwise specified, all limits guaranteed for  $T_J = 25^\circ\text{C}$ .  $V^+ = 2.7\text{V}$ ,  $V^- = 0\text{V}$ ,  $V_{\text{CM}} = 1.0\text{V}$ ,  $V_O = 1.35\text{V}$  and  $R_L > 1\text{ M}\Omega$ . **Boldface** limits apply at the temperature extremes.

| Symbol | Parameter                    | Conditions  | Typ (Note 5) | LMV821/822/824 Limit (Note 6) | Units                                |
|--------|------------------------------|---|--------------|-------------------------------|--------------------------------------|
| $i_n$  | Input-Referred Current Noise | $f = 1\text{ kHz}$  | 0.1          |                               | $\frac{\text{pA}}{\sqrt{\text{Hz}}}$ |
| THD    | Total Harmonic Distortion    | $f = 1\text{ kHz}$ , $A_V = -2$ ,<br>$R_L = 10\text{ k}\Omega$ , $V_O = 4.1\text{ V}_{\text{PP}}$ | 0.01         |                               | %                                    |

## 5V DC Electrical Characteristics

Unless otherwise specified, all limits guaranteed for  $T_J = 25^\circ\text{C}$ .  $V^+ = 5\text{V}$ ,  $V^- = 0\text{V}$ ,  $V_{\text{CM}} = 2.0\text{V}$ ,  $V_O = 2.5\text{V}$  and  $R_L > 1\text{ M}\Omega$ . **Boldface** limits apply at the temperature extremes.

| Symbol                   | Parameter                             | Condition  | Typ (Note 5)                             | LMV821/822/824 Limit (Note 6)  | Units  |
|--------------------------|---------------------------------------|--|--|--|--|
| $V_{\text{OS}}$          | Input Offset Voltage                  |  | 1  | 3.5<br><b>4.0</b>  | mV<br>max  |
| $\text{TCV}_{\text{OS}}$ | Input Offset Voltage Average Drift    |  | 1  |  | $\mu\text{V}/^\circ\text{C}$                                 |
| $I_B$                    | Input Bias Current                    |  | 40                                       | 100<br><b>150</b>  | nA<br>max  |
| $I_{\text{OS}}$          | Input Offset Current                  |  | 0.5                                      | 30<br><b>50</b>  | nA<br>max  |
| CMRR                     | Common Mode Rejection Ratio           | $0\text{V} \leq V_{\text{CM}} \leq 4.0\text{V}$  | 90                                       | 72<br><b>70</b>  | dB<br>min  |
| +PSRR                    | Positive Power Supply Rejection Ratio | $1.7\text{V} \leq V^+ \leq 4\text{V}$ , $V^- = 1\text{V}$ , $V_O = 0\text{V}$ , $V_{\text{CM}} = 0\text{V}$  | 85                                       | 75<br><b>70</b>  | dB<br>min  |
| -PSRR                    | Negative Power Supply Rejection Ratio | $-1.0\text{V} \leq V^- \leq -3.3\text{V}$ , $V^+ = 1.7\text{V}$ , $V_O = 0\text{V}$ , $V_{\text{CM}} = 0\text{V}$  | 85                                       | 73<br><b>70</b>  | dB<br>min  |
| $V_{\text{CM}}$          | Input Common-Mode Voltage Range       | For CMRR $\geq 50\text{dB}$  | -0.3<br><br>4.3                          | -0.2<br><br>4.2  | V<br>max<br><br>V<br>min                                     |
| $A_V$                    | Large Signal Voltage Gain             | Sourcing, $R_L = 600\Omega$ to $2.5\text{V}$ ,<br>$V_O = 2.5$ to $4.5\text{V}$<br>Sinking, $R_L = 600\Omega$ to $2.5\text{V}$ ,<br>$V_O = 2.5$ to $0.5\text{V}$<br>Sourcing, $R_L = 2\text{k}\Omega$ to $2.5\text{V}$ ,<br>$V_O = 2.5$ to $4.5\text{V}$<br>Sinking, $R_L = 2\text{k}\Omega$ to $2.5\text{V}$ ,<br>$V_O = 2.5$ to $0.5\text{V}$ | 105<br><br>105<br><br>105<br><br>105     | 95<br><br>95<br><br>95<br><br>95   | dB<br>min<br><br>dB<br>min<br><br>dB<br>min<br><br>dB<br>min |
| $V_O$                    | Output Swing                          | $V^+ = 5\text{V}$ , $R_L = 600\Omega$ to $2.5\text{V}$<br><br><br><br>$V^+ = 5\text{V}$ , $R_L = 2\text{k}\Omega$ to $2.5\text{V}$   | 4.84<br><br>0.17<br><br>4.90<br><br>0.10 | 4.75<br><br>0.250<br><b>4.70</b><br><br>4.85<br><b>4.80</b><br><br>0.15<br><b>0.20</b> | V<br>min<br><br>V<br>max<br><br>V<br>min<br><br>V<br>max     |

## 5V DC Electrical Characteristics (Continued)

Unless otherwise specified, all limits guaranteed for  $T_J = 25^\circ\text{C}$ .  $V^+ = 5\text{V}$ ,  $V^- = 0\text{V}$ ,  $V_{\text{CM}} = 2.0\text{V}$ ,  $V_O = 2.5\text{V}$  and  $R_L > 1\text{M}\Omega$ . **Boldface** limits apply at the temperature extremes.

| Symbol | Parameter      | Condition                 | Typ<br>(Note 5) | LMV821/822/824<br>Limit (Note 6) | Units     |
|--------|----------------|---------------------------|-----------------|----------------------------------|-----------|
| $I_O$  | Output Current | Sourcing, $V_O=0\text{V}$ | 45              | 20<br><b>15</b>                  | mA<br>min |
|        |                | Sinking, $V_O=5\text{V}$  | 40              | 20<br><b>15</b>                  | mA<br>min |
| $I_S$  | Supply Current | LMV821 (Single)           | 0.30            | 0.4<br><b>0.6</b>                | mA<br>max |
|        |                | LMV822 (Dual)             | 0.5             | 0.7<br><b>0.9</b>                | mA<br>max |
|        |                | LMV824 (Quad)             | 1.0             | 1.3<br><b>1.5</b>                | mA<br>max |

## 5V AC Electrical Characteristics

Unless otherwise specified, all limits guaranteed for  $T_J = 25^\circ\text{C}$ .  $V^+ = 5\text{V}$ ,  $V^- = 0\text{V}$ ,  $V_{\text{CM}} = 2\text{V}$ ,  $V_O = 2.5\text{V}$  and  $R_L > 1\text{M}\Omega$ . **Boldface** limits apply at the temperature extremes.

| Symbol   | Parameter                    | Conditions   | Typ<br>(Note 5) | LMV821/822/824 Limit<br>(Note 6) | Units                                |
|----------|------------------------------|--|-----------------|----------------------------------|--------------------------------------|
| SR       | Slew Rate                    | (Note 7)   | 2.0             | 1.4                              | V/ $\mu\text{s}$<br>min              |
| GBW      | Gain-Bandwidth Product       |  | 5.6             |                                  | MHz                                  |
| $\Phi_m$ | Phase Margin                 |  | 67              |                                  | Deg.                                 |
| $G_m$    | Gain Margin                  |  | 15              |                                  | dB                                   |
|          | Amp-to-Amp Isolation         | (Note 8)   | 135             |                                  | dB                                   |
| $e_n$    | Input-Related Voltage Noise  | $f = 1\text{kHz}$ , $V_{\text{CM}} = 1\text{V}$  | 24              |                                  | $\frac{\text{nV}}{\sqrt{\text{Hz}}}$ |
| $i_n$    | Input-Referred Current Noise | $f = 1\text{kHz}$  | 0.25            |                                  | $\frac{\text{pA}}{\sqrt{\text{Hz}}}$ |
| THD      | Total Harmonic Distortion    | $f = 1\text{kHz}$ , $A_V = -2$ ,<br>$R_L = 10\text{k}\Omega$ , $V_O = 4.1\text{V}_{\text{PP}}$ | 0.01            |                                  | %                                    |

**Note 1:** Absolute Maximum Ratings indicate limits beyond which damage to the device may occur. Operating Ratings indicate conditions for which the device is intended to be functional, but specific performance is not guaranteed. For guaranteed specifications and the test conditions, see the Electrical Characteristics.

**Note 2:** Human body model, 1.5 k $\Omega$  in series with 100 pF. Machine model, 200 $\Omega$  in series with 100 pF.

**Note 3:** Applies to both single-supply and split-supply operation. Continuous short circuit operation at elevated ambient temperature can result in exceeding the maximum allowed junction temperature of 150°C. Output currents in excess of 45 mA over long term may adversely affect reliability.

**Note 4:** The maximum power dissipation is a function of  $T_{J(\text{max})}$ ,  $\theta_{JA}$ , and  $T_A$ . The maximum allowable power dissipation at any ambient temperature is  $P_D = (T_J(\text{max}) - T_A) / \theta_{JA}$ . All numbers apply for packages soldered directly into a PC board.

**Note 5:** Typical Values represent the most likely parametric norm.

**Note 6:** All limits are guaranteed by testing or statistical analysis.

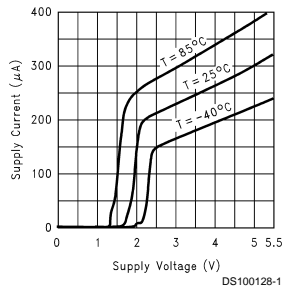
**Note 7:**  $V^+ = 5\text{V}$ . Connected as voltage follower with 3V step input. Number specified is the slower of the positive and negative slew rates.

**Note 8:** Input referred,  $V^+ = 5\text{V}$  and  $R_L = 100\text{k}\Omega$  connected to 2.5V. Each amp excited in turn with 1 kHz to produce  $V_O = 3\text{V}_{\text{PP}}$ .

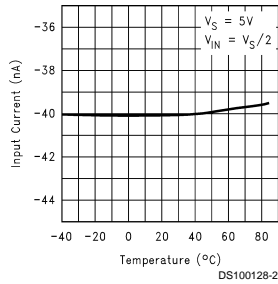
## 5V AC Electrical Characteristics (Continued)

**Typical Performance Characteristics** Unless otherwise specified,  $V_S = +5V$ , single supply,  $T_A = 25^\circ C$ .

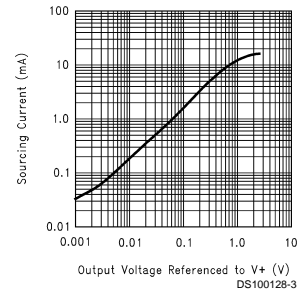
**Supply Current vs Supply Voltage (LMV821)**



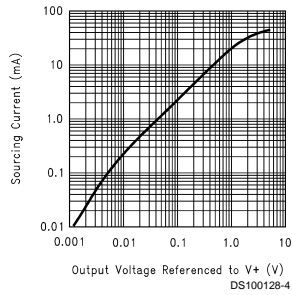
**Input Current vs Temperature**



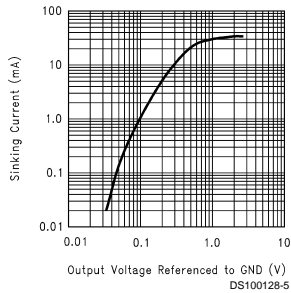
**Sourcing Current vs Output Voltage ( $V_S=2.7V$ )**



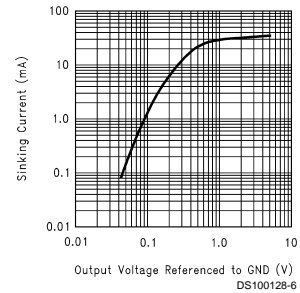
**Sourcing Current vs Output Voltage ( $V_S=5V$ )**



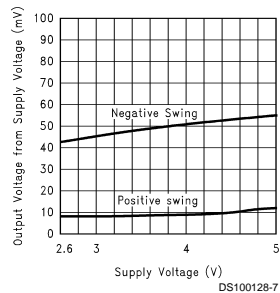
**Sinking Current vs Output Voltage ( $V_S=2.7V$ )**



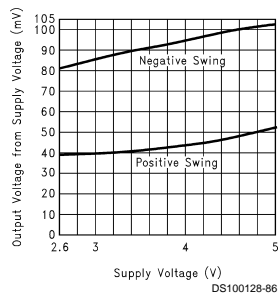
**Sinking Current vs Output Voltage ( $V_S=5V$ )**



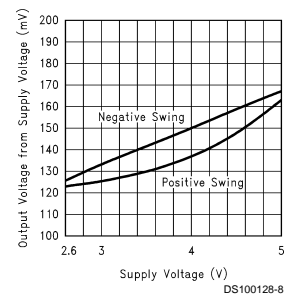
**Output Voltage Swing vs Supply Voltage ( $R_L=10k\Omega$ )**



**Output Voltage Swing vs Supply Voltage ( $R_L=2k\Omega$ )**

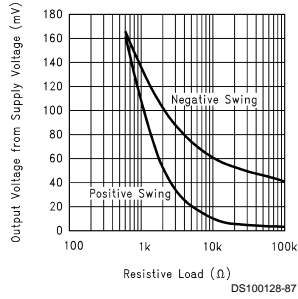


**Output Voltage Swing vs Supply Voltage ( $R_L=600\Omega$ )**

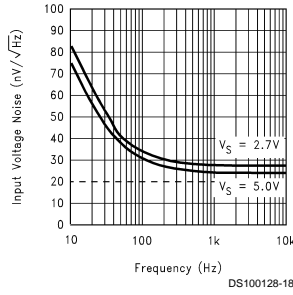


**Typical Performance Characteristics** Unless otherwise specified,  $V_S = +5V$ , single supply,  $T_A = 25^\circ C$ . (Continued)

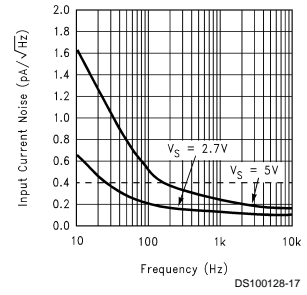
**Output Voltage Swing vs Load Resistance**



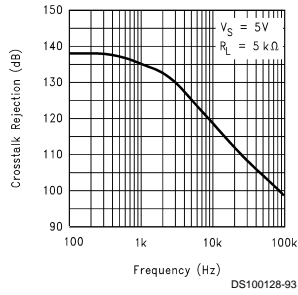
**Input Voltage Noise vs Frequency**



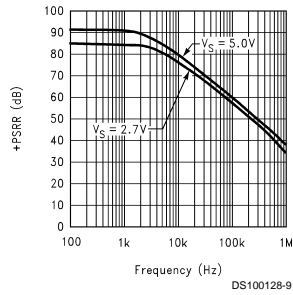
**Input Current Noise vs Frequency**



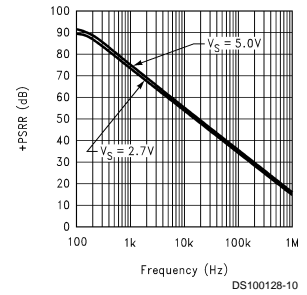
**Crosstalk Rejection vs Frequency**



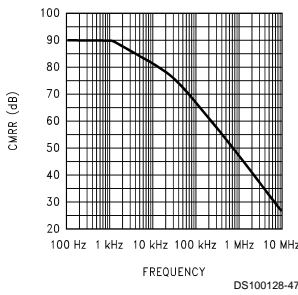
**+PSRR vs Frequency**



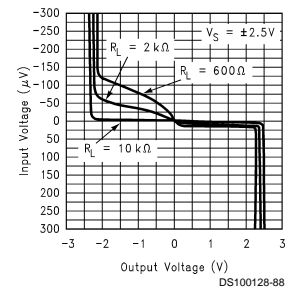
**-PSRR vs Frequency**



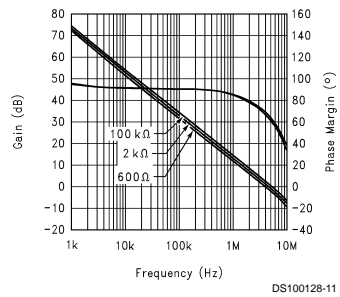
**CMRR vs Frequency**



**Input Voltage vs Output Voltage**



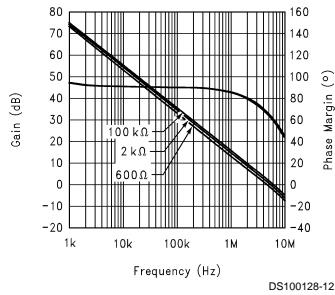
**Gain and Phase Margin vs Frequency ( $R_L=100k\Omega, 2k\Omega, 600\Omega$ ) 2.7V**



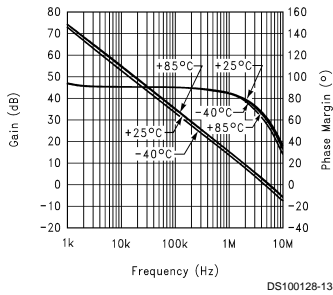


**Typical Performance Characteristics** Unless otherwise specified,  $V_S = +5V$ , single supply,  $T_A = 25^\circ C$ . (Continued)

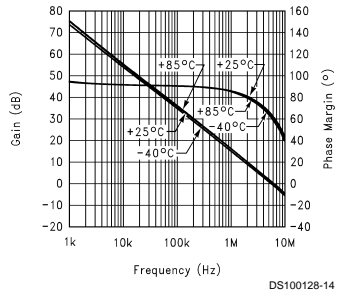
**Gain and Phase Margin vs Frequency ( $R_L=100k\Omega, 2k\Omega, 600\Omega$ ) 5V**



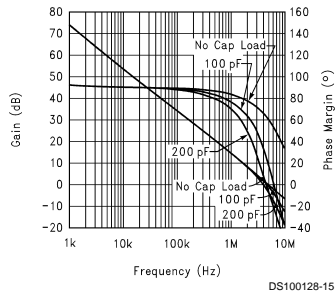
**Gain and Phase Margin vs Frequency (Temp.=25, -40, 85°C,  $R_L=10k\Omega$ ) 2.7V**



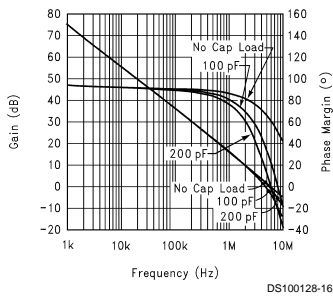
**Gain and Phase Margin vs Frequency (Temp.=25, -40, 85°C,  $R_L=10k\Omega$ ) 5V**



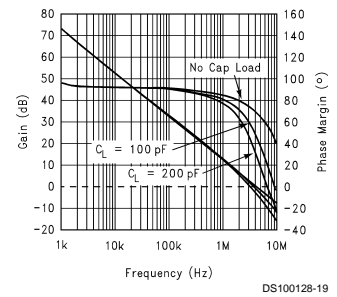
**Gain and Phase Margin vs Frequency ( $C_L=100pF, 200pF, 0pF$ ,  $R_L=10k\Omega$ ) 2.7V**



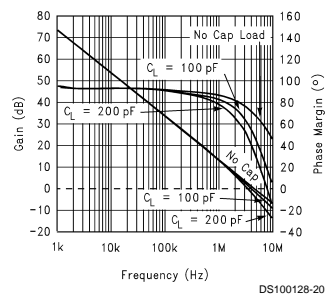
**Gain and Phase Margin vs Frequency ( $C_L=100pF, 200pF, 0pF$ ,  $R_L=10k\Omega$ ) 5V**



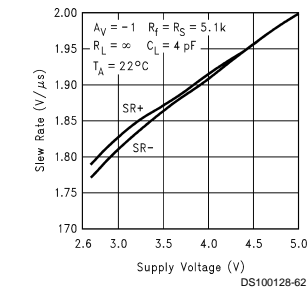
**Gain and Phase Margin vs Frequency ( $C_L=100pF, 200pF, 0pF$ ,  $R_L=600\Omega$ ) 2.7V**



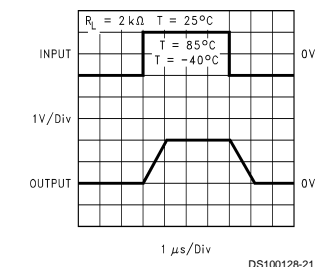
**Gain and Phase Margin vs Frequency ( $C_L=100pF, 200pF, 0pF$ ,  $R_L=600\Omega$ ) 5V**



**Slew Rate vs Supply Voltage**

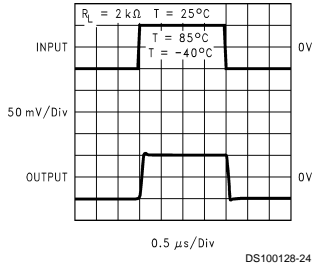


**Non-Inverting Large Signal Pulse Response**

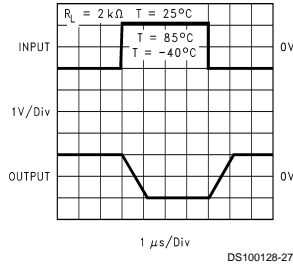


**Typical Performance Characteristics** Unless otherwise specified,  $V_S = +5V$ , single supply,  $T_A = 25^\circ C$ . (Continued)

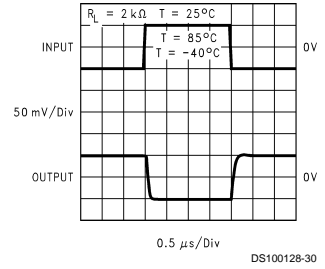
**Non-Inverting Small Signal Pulse Response**



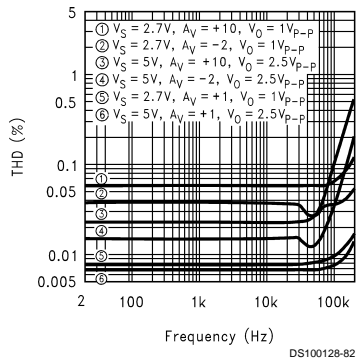
**Inverting Large Signal Pulse Response**



**Inverting Small Signal Pulse Response**



**THD vs Frequency**



## APPLICATION NOTE

This application note is divided into two sections: design considerations and Application Circuits.

### 1.0 Design Considerations

This section covers the following design considerations:

1. Frequency and Phase Response Considerations
2. Unity-Gain Pulse Response Considerations
3. Input Bias Current Considerations

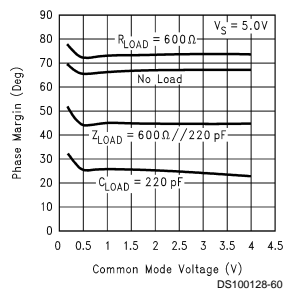
#### 1.1 Frequency and Phase Response Considerations

The relationship between open-loop frequency response and open-loop phase response determines the closed-loop stability performance (negative feedback). The open-loop phase response causes the feedback signal to shift towards becoming positive feedback, thus becoming unstable. The further the output phase angle is from the input phase angle, the more stable the negative feedback will operate. Phase Margin ( $\phi_m$ ) specifies this output-to-input phase relationship at the unity-gain crossover point. Zero degrees of phase-margin means that the input and output are completely in phase with each other and will sustain oscillation at the unity-gain frequency.

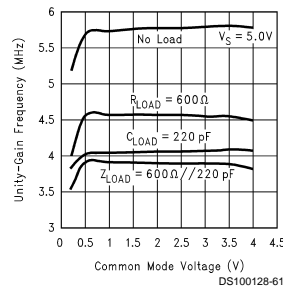
The AC tables show  $\phi_m$  for a no load condition. But  $\phi_m$  changes with load. The Gain and Phase margin vs Frequency plots in the curve section can be used to graphically determine the  $\phi_m$  for various loaded conditions. To do this, examine the phase angle portion of the plot, find the phase margin point at the unity-gain frequency, and determine how far this point is from zero degree of phase-margin. The larger the phase-margin, the more stable the circuit operation.

The bandwidth is also affected by load. The graphs of *Figure 1* and *Figure 2* provide a quick look at how various loads affect the  $\phi_m$  and the bandwidth of the LMV821/822/824 family. These graphs show capacitive loads reducing both  $\phi_m$  and bandwidth, while resistive loads reduce the bandwidth but increase the  $\phi_m$ . Notice how a  $600\Omega$  resistor can be added in parallel with 220 picofarads capacitance, to increase the  $\phi_m$   $20^\circ$  (approx.), but at the price of about a 100 kHz of bandwidth.

Overall, the LMV821/822/824 family provides good stability for loaded condition.



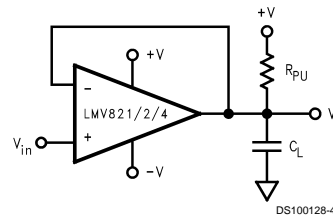
**FIGURE 1. Phase Margin vs Common Mode Voltage for Various Loads**



**FIGURE 2. Unity-Gain Frequency vs Common Mode Voltage for Various Loads**

#### 1.2 Unity Gain Pulse Response Considerations

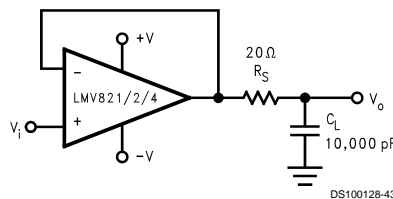
A pull-up resistor is well suited for increasing unity-gain, pulse response stability. For example, a  $600\Omega$  pull-up resistor reduces the overshoot voltage by about 50%, when driving a 220 pF load. *Figure 3* shows how to implement the pull-up resistor for more pulse response stability.



**FIGURE 3. Using a Pull-up Resistor at the Output for Stabilizing Capacitive Loads**

Higher capacitances can be driven by decreasing the value of the pull-up resistor, but its value shouldn't be reduced beyond the sinking capability of the part. An alternate approach is to use an isolation resistor as illustrated in *Figure 4*.

*Figure 5* shows the resulting pulse response from a LMV824, while driving a 10,000pF load through a  $20\Omega$  isolation resistor.



**FIGURE 4. Using an Isolation Resistor to Drive Heavy Capacitive Loads**

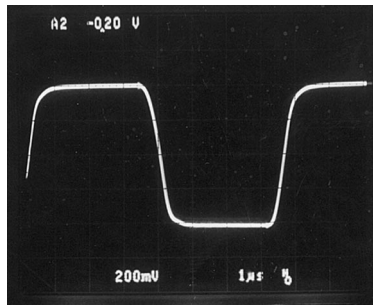


FIGURE 5. Pulse Response per Figure 4

### 1.3 Input Bias Current Consideration

Input bias current ( $I_B$ ) can develop a somewhat significant offset voltage. This offset is primarily due to  $I_B$  flowing through the negative feedback resistor,  $R_F$ . For example, if  $I_B$  is 90nA (max room) and  $R_F$  is 100 k $\Omega$ , then an offset of 9 mV will be developed ( $V_{OS} = I_B \times R_F$ ). Using a compensation resistor ( $R_C$ ), as shown in Figure 6, cancels out this affect. But the input offset current ( $I_{OS}$ ) will still contribute to an offset voltage in the same manner - typically 0.05 mV at room temp.

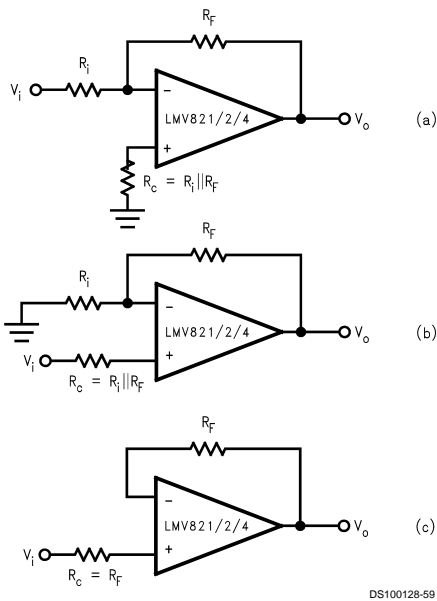


FIGURE 6. Canceling the Voltage Offset Effect of Input Bias Current

## 2.0 APPLICATION CIRCUITS

This section covers the following application circuits:

1. Telephone-Line Transceiver
2. "Simple" Mixer (Amplitude Modulator)
3. Dual Amplifier Active Filters (DAAFs)
  - a. Low-Pass Filter (LPF)
  - b. High-Pass Filter (HPF)
5. Tri-level Voltage Detector

### 2.1 Telephone-Line Transceiver

The telephone-line transceiver of Figure 7 provides a full-duplexed connection through a PCMCIA, miniature transformer. The differential configuration of receiver portion (UR), cancels reception from the transmitter portion (UT). Note that the input signals for the differential configuration of UR, are the transmit voltage ( $V_T$ ) and  $V_T/2$ . This is because  $R_{match}$  is chosen to match the coupled telephone-line impedance; therefore dividing  $V_T$  by two (assuming  $R_1 \gg R_{match}$ ). The differential configuration of UR has its resistors chosen to cancel the  $V_T$  and  $V_T/2$  inputs according to the following equation:

$$V_O = V_T \left( \frac{R_3}{R_3 + R_4} \right) \left( 1 + \frac{R_2}{R_1} \right) - \frac{V_T}{2} \left( \frac{R_2}{R_1} \right) = V_T \frac{1}{3} (3) - \frac{V_T}{2} (2) = 0$$

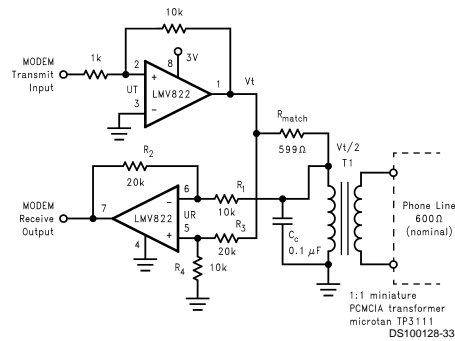


FIGURE 7. Telephone-line Transceiver for a PCMCIA Modem Card

Note that  $C_r$  is included for canceling out the inadequacies of the lossy, miniature transformer. Refer to application note AN-397 for detailed explanation.

### 2.2 "Simple" Mixer (Amplitude Modulator)

The mixer of Figure 8 is simple and provides a unique form of amplitude modulation.  $V_i$  is the modulation frequency ( $F_M$ ), while a +3V square-wave at the gate of Q1, induces a carrier frequency ( $F_C$ ). Q1 switches (toggles) U1 between inverting and non-inverting unity gain configurations. Offsetting a sine wave above ground at  $V_i$  results in the oscilloscope photo of Figure 9.

The simple mixer can be applied to applications that utilize the Doppler Effect to measure the velocity of an object. The difference frequency is one of its output frequency components. This difference frequency magnitude ( $|F_M - F_C|$ ) is the key factor for determining an object's velocity per the Doppler Effect. If a signal is transmitted to a moving object, the reflected frequency will be a different frequency. This difference in transmit and receive frequency is directly proportional to an object's velocity.

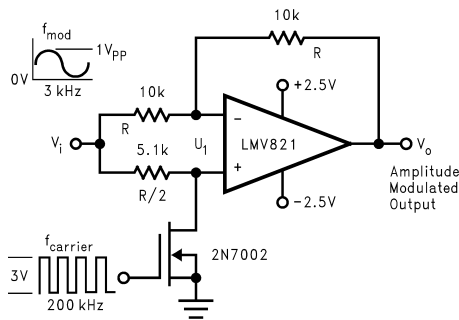


FIGURE 8. Amplitude Modulator Circuit

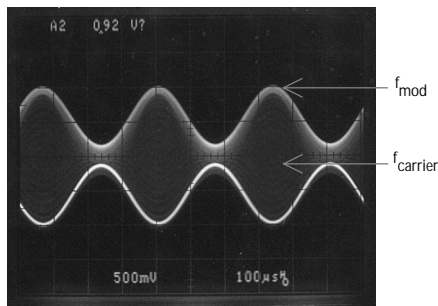


FIGURE 9. Output signal per the Circuit of Figure 8

#### 2.4 Dual Amplifier Active Filters (DAAFs)

The LMV822/24 bring economy and performance to DAAFs. The low-pass and the high-pass filters of Figure 10 and Figure 11 (respectively), offer one key feature: excellent sensitivity performance. Good sensitivity is when deviations in component values cause relatively small deviations in a filter's parameter such as cutoff frequency ( $f_c$ ). Single amplifier active filters like the Sallen-Key provide relatively poor sensitivity performance that sometimes cause problems for high production runs; their parameters are much more likely to deviate out of specification than a DAAF would. The DAAFs of Figure 10 and Figure 11 are well suited for high volume production.

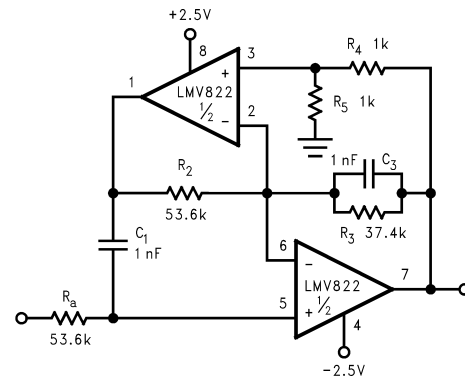


FIGURE 10. Dual Amplifier, 3 kHz Low-Pass Active Filter with a Butterworth Response and a Pass Band Gain of Times Two

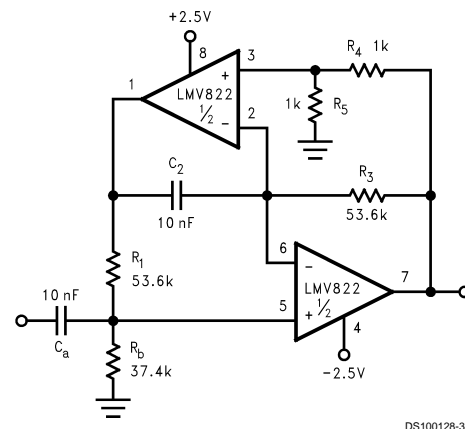


FIGURE 11. Dual Amplifier, 300 Hz High-Pass Active Filter with a Butterworth Response and a Pass Band Gain of Times Two

Table 1 provides sensitivity measurements for a 10 M $\Omega$  load condition. The left column shows the passive components for the 3 kHz low-pass DAAF. The third column shows the components for the 300 Hz high-pass DAAF. Their respective sensitivity measurements are shown to the right of each component column. Their values consists of the percent change in cutoff frequency ( $f_c$ ) divided by the percent change in component value. The lower the sensitivity value, the better the performance.

Each resistor value was changed by about 10 percent, and this measured change was divided into the measured change in  $f_c$ . A positive or negative sign in front of the measured value, represents the direction  $f_c$  changes relative to components' direction of change. For example, a sensitivity value of negative 1.2, means that for a 1 percent increase in component value,  $f_c$  decreases by 1.2 percent.

Note that this information provides insight on how to fine tune the cutoff frequency, if necessary. It should be also noted that  $R_4$  and  $R_5$  of each circuit also caused variations in

the pass band gain. Increasing  $R_4$  by ten percent, increased the gain by 0.4 dB, while increasing  $R_5$  by ten percent, decreased the gain by 0.4 dB.

TABLE 1.

| Component (LPF) | Sensitivity (LPF) | Component (HPF) | Sensitivity (HPF) |
|-----------------|-------------------|-----------------|-------------------|
| $R_a$           | -1.2              | $C_a$           | -0.7              |
| $C_1$           | -0.1              | $R_b$           | -1.0              |
| $R_2$           | -1.1              | $R_1$           | +0.1              |
| $R_3$           | +0.7              | $C_2$           | -0.1              |
| $C_3$           | -1.5              | $R_3$           | +0.1              |
| $R_4$           | -0.6              | $R_4$           | -0.1              |
| $R_5$           | +0.6              | $R_5$           | +0.1              |

Active filters are also sensitive to an op amp's parameters -Gain and Bandwidth, in particular. The LMV822/24 provide a large gain and wide bandwidth. And DAAFs make excellent use of these feature specifications.

Single Amplifier versions require a large open-loop to closed-loop gain ratio - approximately 50 to 1, at the  $F_c$  of the filter response. Figure 12 shows an impressive photograph of a network analyzer measurement (hp3577A). The measurement was taken from a 300kHz version of Figure 10. At 300 kHz, the open-loop to closed-loop gain ratio @  $F_c$  is about 5 to 1. This is 10 times lower than the 50 to 1 "rule of thumb" for Single Amplifier Active Filters.

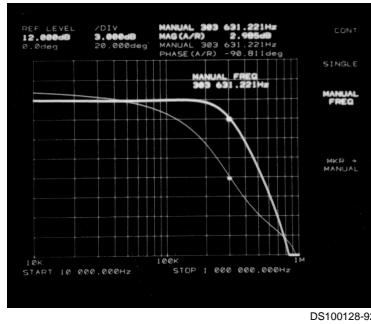


FIGURE 12. 300 kHz, Low-Pass Filter, Butterworth Response as Measured by the HP3577A Network Analyzer

In addition to performance, DAAFs are relatively easy to design and implement. The design equations for the low-pass and high-pass DAAFs are shown below. The first two equations calculate the  $F_c$  and the circuit Quality Factor (Q) for the LPF (Figure 10). The second two equations calculate the  $F_c$  and Q for the HPF (Figure 11).

$$\begin{aligned} \text{(LPF)} \quad F_c &= \frac{\sqrt{R_5}}{2\pi\sqrt{R_a}\sqrt{R_2}\sqrt{R_4}\sqrt{C_1}\sqrt{C_3}} \\ Q &= 2\pi F_c \sqrt{C_1}\sqrt{C_3} \\ \text{(HPF)} \quad F_c &= \frac{\sqrt{R_4}}{2\pi\sqrt{R_1}\sqrt{R_3}\sqrt{R_5}\sqrt{C_a}\sqrt{C_2}} \\ Q &= 2\pi F_c \sqrt{C_a}\sqrt{C_2} \end{aligned}$$

To simplify the design process, certain components are set equal to each other. Refer to Figure 10 and Figure 11. These equal component values help to simplify the design equations as follows:

$$\begin{aligned} \text{(LPF)} \quad R_a &= R_2 = \frac{1}{2\pi F_c \sqrt{C_1}\sqrt{C_3}} \\ R_3 &= \frac{Q}{2\pi F_c \sqrt{C_1}\sqrt{C_3}} \\ \text{(HPF)} \quad R_1 &= R_3 = \frac{1}{2\pi F_c \sqrt{C_a}\sqrt{C_2}} \\ R_b &= \frac{Q}{2\pi F_c \sqrt{C_a}\sqrt{C_2}} \end{aligned}$$

To illustrate the design process/implementation, a 3 kHz, Butterworth response, low-pass filter DAAF (Figure 10) is designed as follows:

1. Choose  $C_1 = C_3 = C = 1$  nF
2. Choose  $R_4 = R_5 = 1$  k $\Omega$
3. Calculate  $R_a$  and  $R_2$  for the desired  $F_c$  as follows:

$$\begin{aligned} R_a &= R_2 = \frac{1}{2\pi(F_c)C} \\ &= \frac{1}{2\pi(3 \text{ kHz})1 \text{ nF}} \\ &= 53.1 \text{ k}\Omega \\ &\cong 53.6 \text{ k}\Omega \text{ (Practical Value)} \end{aligned}$$

4. Calculate  $R_3$  for the desired Q. The desired Q for a Butterworth (Maximally Flat) response is 0.707 (45 degrees into the s-plane).  $R_3$  calculates as follows:

$$\begin{aligned} R_3 &= \frac{Q}{2\pi(F_c)C} \\ &= \frac{0.707}{2\pi(3 \text{ kHz})1 \text{ nF}} \\ &= 37.5 \text{ k}\Omega \\ &\cong 37.4 \text{ k}\Omega \text{ (Practical Value)} \end{aligned}$$

Notice that  $R_3$  could also be calculated as 0.707 of  $R_a$  or  $R_2$ . The circuit was implemented and its cutoff frequency measured. The cutoff frequency measured at 2.92 kHz.

The circuit also showed good repeatability. Ten different LMV822 samples were placed in the circuit. The corresponding change in the cutoff frequency was less than a percent.

### 2.5 Tri-level Voltage Detector

The tri-level voltage detector of *Figure 13* provides a type of window comparator function. It detects three different input voltage ranges: Min-range, Mid-range, and Max-range. The output voltage ( $V_O$ ) is at  $V_{CC}$  for the Min-range.  $V_O$  is clamped at GND for the Mid-range. For the Max-range,  $V_O$  is at  $V_{EE}$ . *Figure 14* shows a  $V_O$  vs.  $V_I$  oscilloscope photo per the circuit of *Figure 13*.

Its operation is as follows:  $V_I$  deviating from GND, causes the diode bridge to absorb  $I_{IN}$  to maintain a clamped condition ( $V_O = 0V$ ). Eventually,  $I_{IN}$  reaches the bias limit of the diode bridge. When this limit is reached, the clamping effect

stops and the op amp responds open loop. The design equation directly preceding *Figure 14*, shows how to determine the clamping range. The equation solves for the input voltage band on each side GND. The mid-range is twice this voltage band.

$$\Delta V = \frac{R}{R_1} (V_{CC} - V_{Diode})$$

DS100128-89

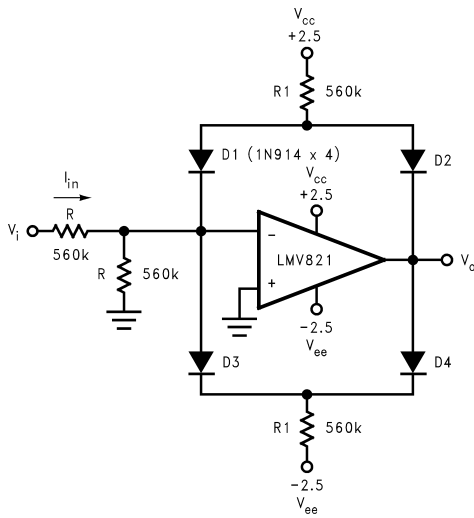


FIGURE 13. Tri-level Voltage Detector

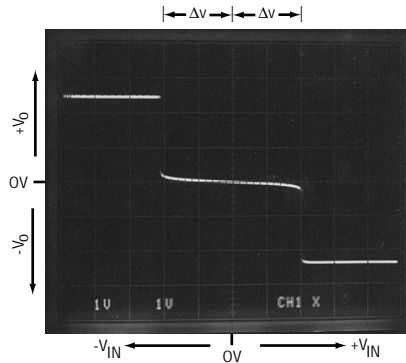
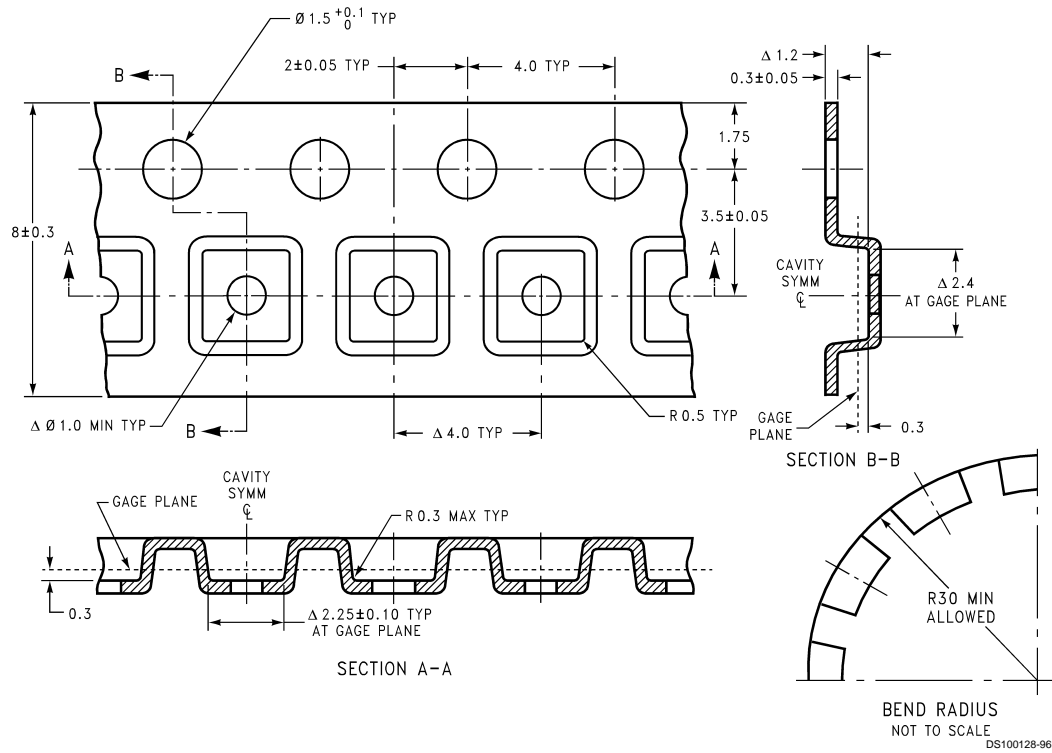


FIGURE 14. X, Y Oscilloscope Trace showing  $V_{OUT}$  vs  $V_{IN}$  per the Circuit of *Figure 13*

## SC70-5 Tape and Reel Specification



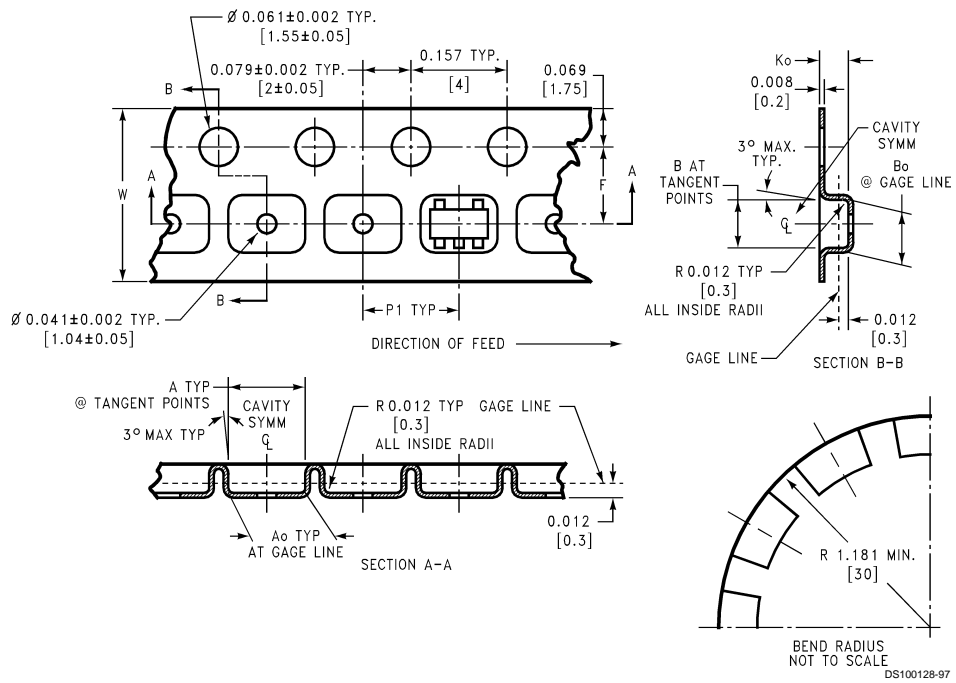
## SOT-23-5 Tape and Reel Specification

### Tape Format

| Tape Section          | # Cavities | Cavity Status | Cover Tape Status |
|-----------------------|------------|---------------|-------------------|
| Leader<br>(Start End) | 0 (min)    | Empty         | Sealed            |
|                       | 75 (min)   | Empty         | Sealed            |
| Carrier               | 3000       | Filled        | Sealed            |
|                       | 250        | Filled        | Sealed            |
| Trailer<br>(Hub End)  | 125 (min)  | Empty         | Sealed            |
|                       | 0 (min)    | Empty         | Sealed            |

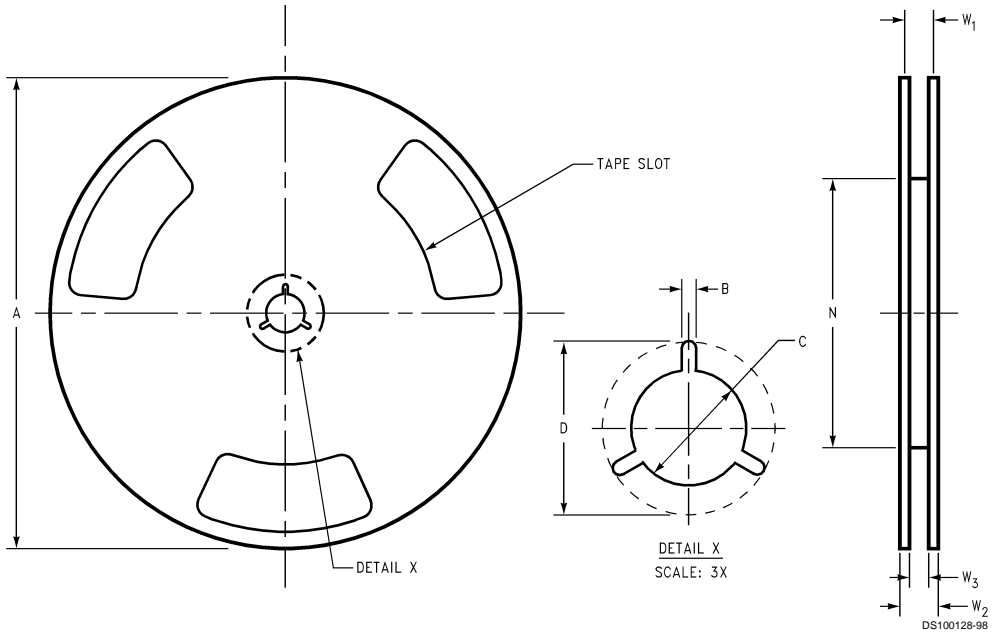


## Tape Dimensions



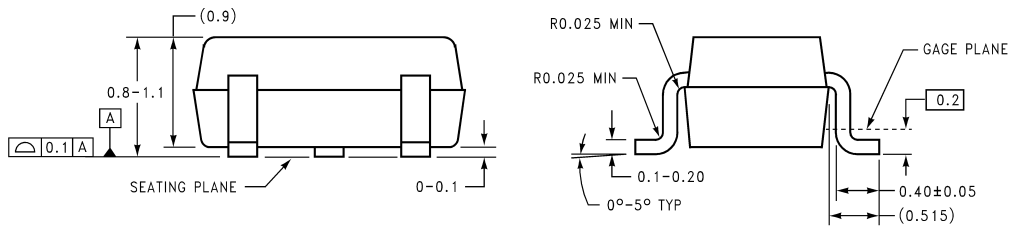
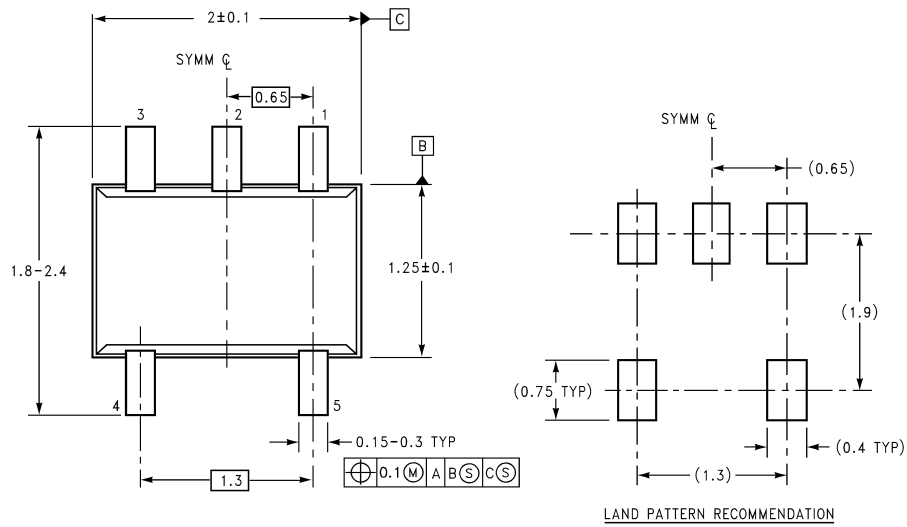
|             |              |                    |              |                    |                                     |                                     |              |                                     |
|-------------|--------------|--------------------|--------------|--------------------|-------------------------------------|-------------------------------------|--------------|-------------------------------------|
| <b>8 mm</b> | <b>0.130</b> | <b>0.124</b>       | <b>0.130</b> | <b>0.126</b>       | <b>0.138 <math>\pm</math> 0.002</b> | <b>0.055 <math>\pm</math> 0.004</b> | <b>0.157</b> | <b>0.315 <math>\pm</math> 0.012</b> |
|             | <b>(3.3)</b> | <b>(3.15)</b>      | <b>(3.3)</b> | <b>(3.2)</b>       | <b>(3.5 <math>\pm</math> 0.05)</b>  | <b>(1.4 <math>\pm</math> 0.11)</b>  | <b>(4)</b>   | <b>(8 <math>\pm</math> 0.3)</b>     |
| Tape Size   | DIM A        | DIM A <sub>o</sub> | DIM B        | DIM B <sub>o</sub> | DIM F                               | DIM K <sub>o</sub>                  | DIM P1       | DIM W                               |

## Reel Dimensions



|             |               |              |              |              |              |                             |              |                          |
|-------------|---------------|--------------|--------------|--------------|--------------|-----------------------------|--------------|--------------------------|
| <b>8 mm</b> | <b>7.00</b>   | <b>0.059</b> | <b>0.512</b> | <b>0.795</b> | <b>2.165</b> | <b>0.331 + 0.059/-0.000</b> | <b>0.567</b> | <b>W1 + 0.078/-0.039</b> |
|             | <b>330.00</b> | <b>1.50</b>  | <b>13.00</b> | <b>20.20</b> | <b>55.00</b> | <b>8.40 + 1.50/-0.00</b>    | <b>14.40</b> | <b>W1 + 2.00/-1.00</b>   |
| Tape Size   | A             | B            | C            | D            | N            | W1                          | W2           | W3                       |

**Physical Dimensions** inches (millimeters) unless otherwise noted

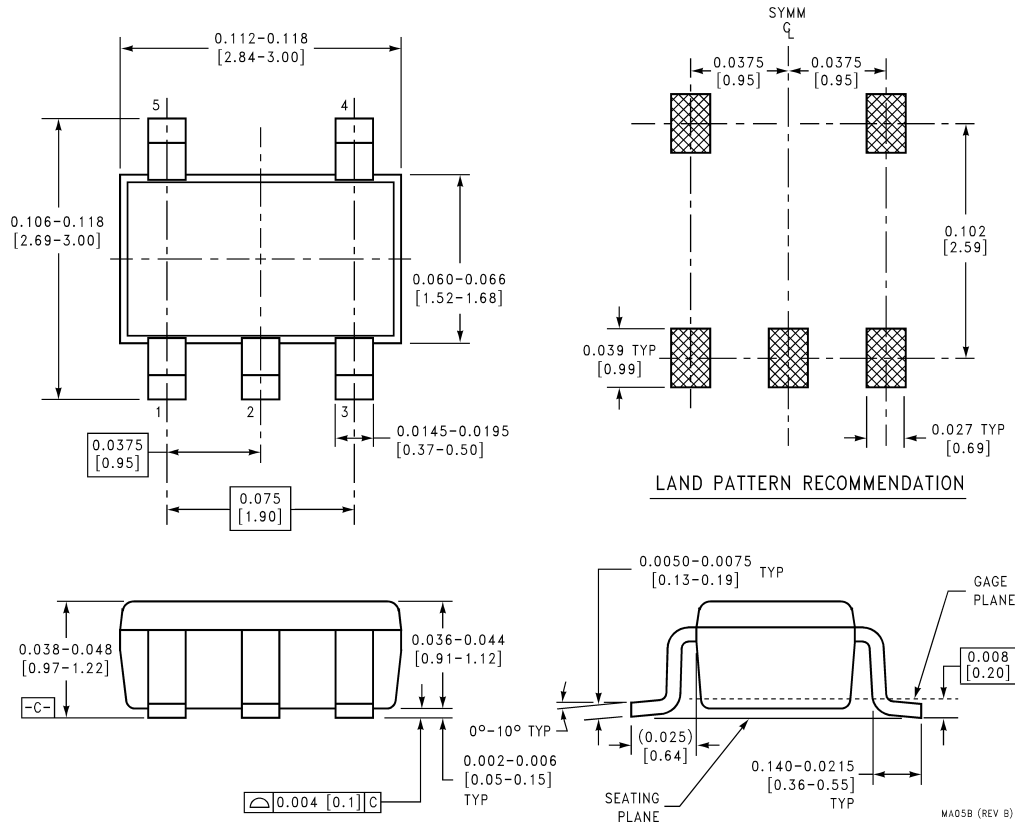


DIMENSIONS ARE IN MILLIMETERS

MAA05A (REV B)

**SC70-5**  
**Order Number LMV821M7 or LMV821M7X**  
**NS Package Number MAA05**

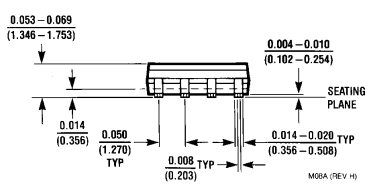
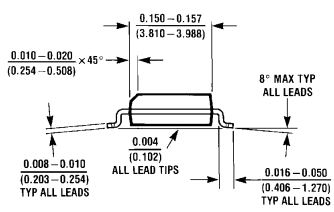
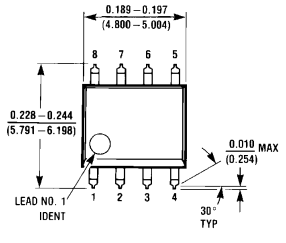
**Physical Dimensions** inches (millimeters) unless otherwise noted (Continued)



**SOT 23-5**  
**Order Number LMV821M5 or LMV821M5X**  
**NS Package Number MA05B**

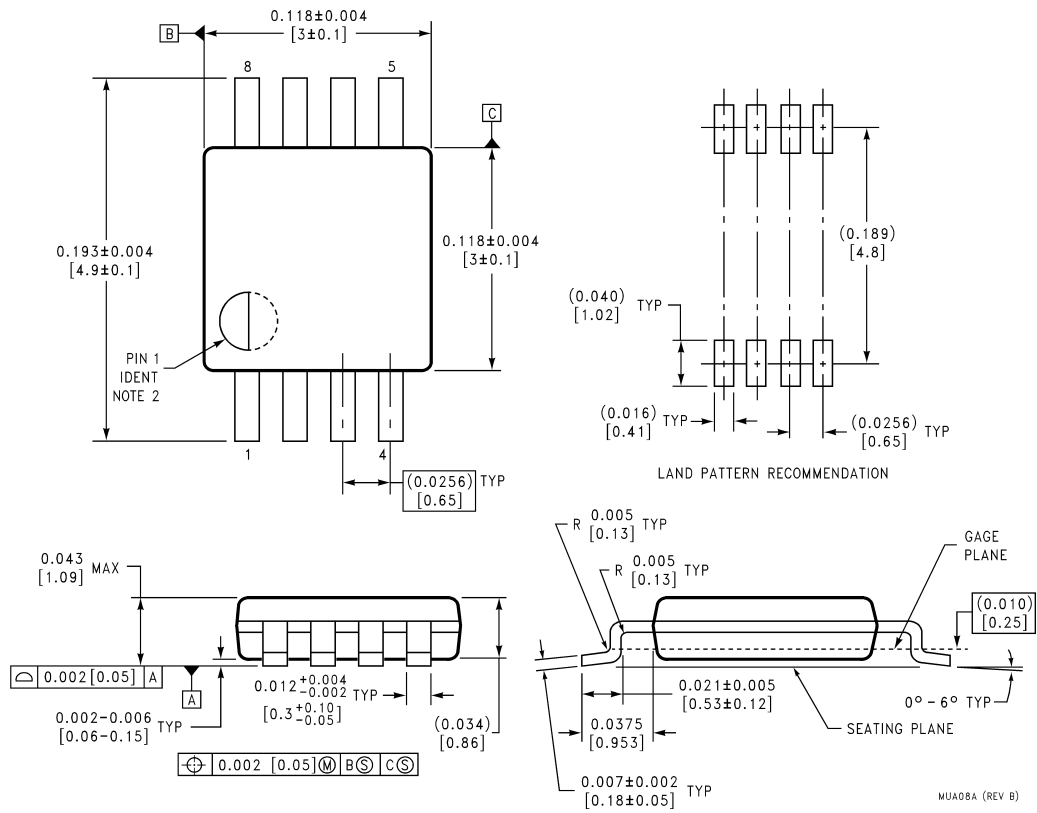
MA05B (REV B)

**Physical Dimensions** inches (millimeters) unless otherwise noted (Continued)



**8-Pin Small Outline**  
**Order Number LMV822M or LMV822MX**  
**NS Package Number M08A**

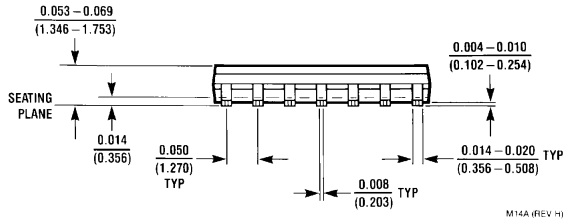
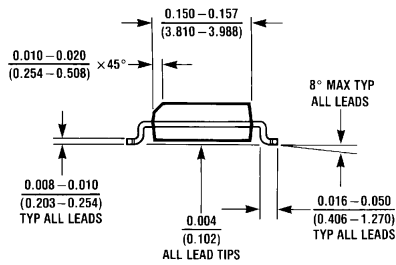
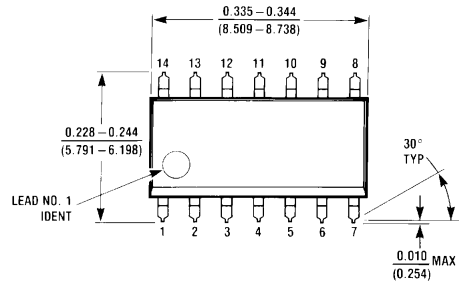
**Physical Dimensions** inches (millimeters) unless otherwise noted (Continued)



**8-Pin MSOP**  
**Order Number LMV822MM or LMV822MMX**  
**NS Package Number MUA08A**

MUA08A (REV B)

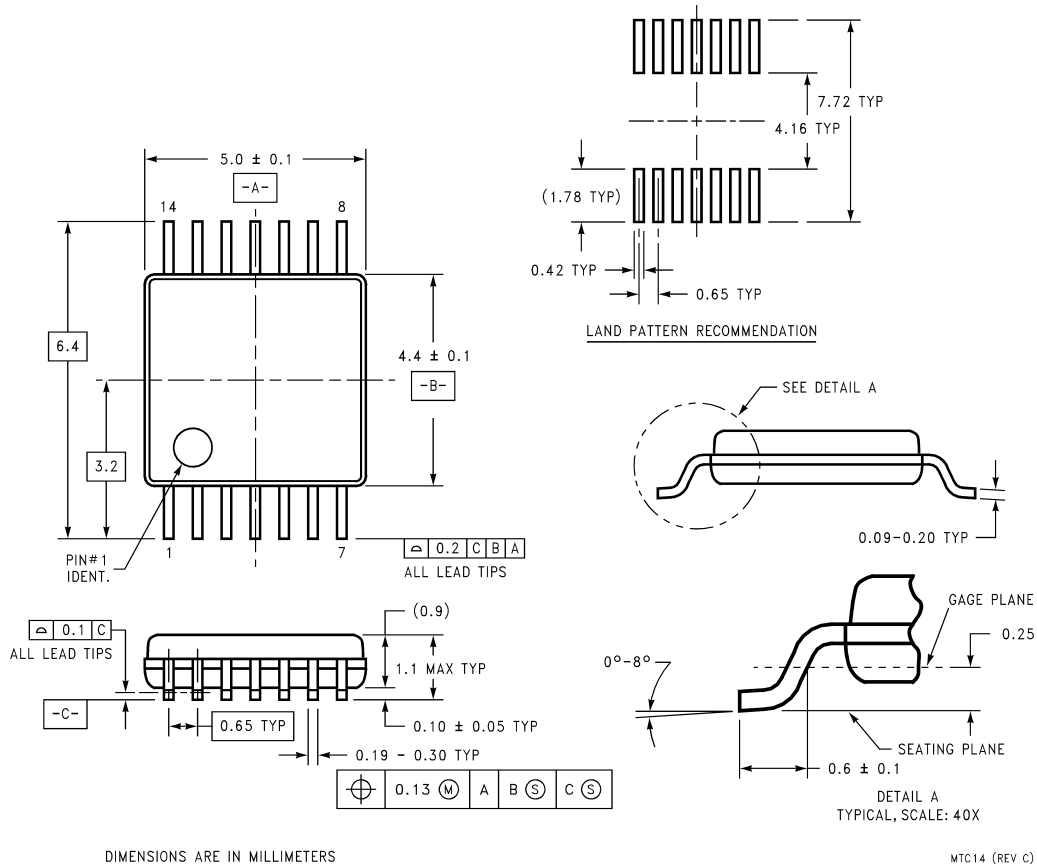
**Physical Dimensions** inches (millimeters) unless otherwise noted (Continued)



M14A (REV H)

**14-Pin Small Outline**  
**Order Number LMV824M or LMV824MX**  
**NS Package Number M14A**

**Physical Dimensions** inches (millimeters) unless otherwise noted (Continued)



**14-Pin TSSOP**  
**Order Number LMV824MTC or LMV824MTCX**  
**NS Package Number MTC14**

**LIFE SUPPORT POLICY**

NATIONAL'S PRODUCTS ARE NOT AUTHORIZED FOR USE AS CRITICAL COMPONENTS IN LIFE SUPPORT DEVICES OR SYSTEMS WITHOUT THE EXPRESS WRITTEN APPROVAL OF THE PRESIDENT AND GENERAL COUNSEL OF NATIONAL SEMICONDUCTOR CORPORATION. As used herein:

1. Life support devices or systems are devices or systems which, (a) are intended for surgical implant into the body, or (b) support or sustain life, and whose failure to perform when properly used in accordance with instructions for use provided in the labeling, can be reasonably expected to result in a significant injury to the user.
2. A critical component is any component of a life support device or system whose failure to perform can be reasonably expected to cause the failure of the life support device or system, or to affect its safety or effectiveness.

**National Semiconductor Corporation**  
 Americas  
 Tel: 1-800-272-9959  
 Fax: 1-800-737-7018  
 Email: support@nsc.com

**National Semiconductor Europe**  
 Fax: +49 (0) 1 80-530 85 86  
 Email: europe.support@nsc.com  
 Deutsch Tel: +49 (0) 1 80-530 85 85  
 English Tel: +49 (0) 1 80-532 78 32  
 Français Tel: +49 (0) 1 80-532 93 58  
 Italiano Tel: +49 (0) 1 80-534 16 80

**National Semiconductor Asia Pacific Customer Response Group**  
 Tel: 65-2544466  
 Fax: 65-2504466  
 Email: sea.support@nsc.com

**National Semiconductor Japan Ltd.**  
 Tel: 81-3-5639-7560  
 Fax: 81-3-5639-7507

www.national.com