



# Precision, Quad, SPST Analog Switches

MAX391/MAX392/MAX393

## General Description

The MAX391/MAX392/MAX393 are precision, quad, single-pole/single-throw (SPST) analog switches designed to operate at +3V, +5V, or ±5V. The MAX391 has four normally closed (NC) switches, and the MAX392 has four normally open (NO) switches. The MAX393 has two NO and two NC switches. All three devices offer low leakage (100pA max) and fast switching speeds ( $t_{ON} \leq 130ns$ ,  $t_{OFF} \leq 75ns$ ). Power consumption is just  $1\mu W$ —ideal for battery-operated equipment. All devices operate from a single +3V to +15V supply or from dual  $\pm 3.0V$  to  $\pm 8V$  supplies.

With  $\pm 5V$  supplies, the MAX391/MAX392/MAX393 offer guaranteed  $2\Omega$  max channel-to-channel matching,  $30\Omega$  max on-resistance ( $R_{ON}$ ), and  $4\Omega$  max  $R_{ON}$  flatness over the specified range.

These switches are also fully specified for single +5V operation, with  $2\Omega$  max  $R_{ON}$  match,  $60\Omega$  max  $R_{ON}$ , and  $6\Omega$  max flatness.

These low-voltage switches also offer 5pC max charge injection, and ESD protection is greater than 2000V, per method 3015.7.

## Applications

Battery-Operated Systems	Sample-and-Hold Circuits
Heads-Up Displays	Guidance and Control Systems
Audio and Video Switching	Military Radios
Test Equipment	Communications Systems
$\pm 5V$ DACs and ADCs	PBX, PABX

## Features

- ◆ Low On-Resistance,  $20\Omega$  Typical
- ◆ Guaranteed On-Resistance Match Between Channels,  $<2\Omega$
- ◆ Guaranteed On-Resistance Flatness Over Signal Range,  $4\Omega$  Max
- ◆ Guaranteed Charge Injection,  $<5pC$
- ◆ Improved Leakage Over Temperature,  $<2.5nA$  at  $+85^\circ C$
- ◆ Electrostatic Discharge  $>2000V$  per Method 3015.7
- ◆ Single-Supply Operation (+3V to +15V)  
Bipolar-Supply Operation ( $\pm 3V$  to  $\pm 8V$ )
- ◆ Low Power Consumption,  $<1\mu W$
- ◆ TTL/CMOS-Logic Compatible

## Ordering Information

PART	TEMP RANGE	PIN-PACKAGE
MAX391CPE	$0^\circ C$ to $+70^\circ C$	16 Plastic DIP
MAX391CSE	$0^\circ C$ to $+70^\circ C$	16 Narrow SO
MAX391CUE	$0^\circ C$ to $+70^\circ C$	16 TSSOP
MAX391CGE	$0^\circ C$ to $+70^\circ C$	16 QFN
MAX391C/D	$0^\circ C$ to $+70^\circ C$	Dice*
MAX391EPE	$-40^\circ C$ to $+85^\circ C$	16 Plastic DIP
MAX391ESE	$-40^\circ C$ to $+85^\circ C$	16 Narrow SO
MAX391EUE	$-40^\circ C$ to $+85^\circ C$	16 TSSOP
MAX391EGE	$-40^\circ C$ to $+85^\circ C$	16 QFN

Ordering Information continued at end of data sheet.

\* Contact factory for dice specifications.

\*\* Contact factory for availability and processing to MIL-STD-883.

## Pin Configurations/Functional Diagrams/Truth Tables

TOP VIEW

**DIP/SO/TSSOP**

MAX391	
LOGIC	SWITCH
0	ON
1	OFF

N.C. = NO CONNECT

**DIP/SO/TSSOP**

MAX392	
LOGIC	SWITCH
0	OFF
1	ON

SWITCHES SHOWN FOR LOGIC "0" INPUT

**DIP/SO/TSSOP**

MAX393		
LOGIC	SWITCHES 1, 4	SWITCHES 2, 3
0	OFF	ON
1	ON	OFF



For pricing, delivery, and ordering information, please contact Maxim/Dallas Direct! at 1-888-629-4642, or visit Maxim's website at [www.maxim-ic.com](http://www.maxim-ic.com).

# Precision, Quad, SPST Analog Switches

## ABSOLUTE MAXIMUM RATINGS

Voltage Referenced to V-

V+ .....	-0.3V to +17V
GND .....	-0.3V to +17V
GND .....	-0.3V to (V+ + 0.3V)
V <sub>IN</sub> , V <sub>COM</sub> , V <sub>NC</sub> , V <sub>NO</sub> (Note 1) .....	V- to V+
Current (any terminal) .....	30mA
Peak Current, COM, NO, NC (pulsed at 1ms, 10% duty cycle max) .....	100mA
ESD per Method 3015.7 .....	>2000V

Continuous Power Dissipation (T<sub>A</sub> = +70°C)

Plastic DIP (derate 10.53mW/°C above +70°C) .....	842mW
Narrow SO (derate 8.70mW/°C above +70°C) .....	696mW
TSSOP (derate 6.7mW/°C above +70°C) .....	457mW
CERDIP (derate 10.00mW/°C above +70°C) .....	800mW
QFN (derate 18.5mW/°C above +70°C) .....	1481mW

Operating Temperature Ranges

MAX39_C_ .....	0°C to +70°C
MAX39_E_ .....	-40°C to +85°C
MAX39_M_ .....	-55°C to +125°C
Storage Temperature Range .....	-65°C to +150°C
Lead Temperature (soldering, 10s) .....	+300°C

**Note 1:** Signals on NC, NO, COM, or IN exceeding V+ or V- are clamped by internal diodes. Limit forward diode current to maximum current rating.

Stresses beyond those listed under "Absolute Maximum Ratings" may cause permanent damage to the device. These are stress ratings only, and functional operation of the device at these or any other conditions beyond those indicated in the operational sections of the specifications is not implied. Exposure to absolute maximum rating conditions for extended periods may affect device reliability.

## ELECTRICAL CHARACTERISTICS—Dual Supplies

(V+ = +5V ±10%, V- = -5V ±10%, GND = 0V, V<sub>INH</sub> = 2.4V, V<sub>INL</sub> = 0.8V, T<sub>A</sub> = T<sub>MIN</sub> to T<sub>MAX</sub>, unless otherwise noted.)

PARAMETER	SYMBOL	CONDITIONS	MIN	TYP (Note 2)	MAX	UNITS	
<b>ANALOG SWITCH</b>							
Analog Signal Range	V <sub>COM</sub> , V <sub>NO</sub> , V <sub>NC</sub>	(Note 3)	V-		V+	V	
On-Resistance	R <sub>ON</sub>	V+ = 4.5V, V- = -4.5V, I <sub>COM</sub> = -10mA, V <sub>NO</sub> or V <sub>NC</sub> = ±3.5V	T <sub>A</sub> = +25°C	C, E 20	35		
			M	20	30		
			T <sub>A</sub> = T <sub>MIN</sub> to T <sub>MAX</sub>		45		
On-Resistance Match Between Channels (Note 4)	R <sub>ON</sub>	V+ = 5V, V- = -5V, I <sub>COM</sub> = -10mA, V <sub>NO</sub> or V <sub>NC</sub> = ±3V	T <sub>A</sub> = +25°C		0.3	2	
			T <sub>A</sub> = T <sub>MIN</sub> to T <sub>MAX</sub>			4	
On-Resistance Flatness (Note 5)	R <sub>FLAT(ON)</sub>	V+ = 5V, V- = -5V, I <sub>COM</sub> = -10mA, V <sub>NO</sub> or V <sub>NC</sub> = ±3V	T <sub>A</sub> = +25°C		1	4	
			T <sub>A</sub> = T <sub>MIN</sub> to T <sub>MAX</sub>			6	
NO or NC Off Leakage Current (Note 6)	I <sub>NO(OFF)</sub> or I <sub>NC(OFF)</sub>	V+ = 5.5V, V- = -5.5V, V <sub>COM</sub> = ±4.5V, V <sub>NO</sub> or V <sub>NC</sub> = ±4.5V	T <sub>A</sub> = +25°C		-0.1	0.01	0.1
			T <sub>A</sub> = T <sub>MIN</sub> to T <sub>MAX</sub>	C, E	-2.5	2.5	nA
				M	-5	5	
COM Off Leakage Current (Note 6)	I <sub>COM(OFF)</sub>	V+ = 5.5V, V- = -5.5V, V <sub>COM</sub> = ±4.5V, V <sub>NO</sub> or V <sub>NC</sub> = ±4.5V	T <sub>A</sub> = +25°C		-0.1	0.01	0.1
			T <sub>A</sub> = T <sub>MIN</sub> to T <sub>MAX</sub>	C, E	-2.5	2.5	nA
				M	-5	5	
COM On Leakage Current (Note 6)	I <sub>COM(ON)</sub>	V+ = 5.5V, V- = -5.5V, V <sub>COM</sub> = ±4.5V, V <sub>NO</sub> or V <sub>NC</sub> = ±4.5V	T <sub>A</sub> = +25°C		-0.2	0.01	0.2
			T <sub>A</sub> = T <sub>MIN</sub> to T <sub>MAX</sub>	C, E	-5.0	5.0	nA
				M	-20	20	

# Precision, Quad, SPST Analog Switches

MAX391/MAX392/MAX393

## ELECTRICAL CHARACTERISTICS—Dual Supplies (continued)

(V+ = +5V ±10%, V- = -5V ±10%, GND = 0V, VINH = 2.4V, VINL = 0.8V, TA = TMIN to TMAX, unless otherwise noted.)

PARAMETER	SYMBOL	CONDITIONS		MIN	TYP (Note 2)	MAX	UNITS
<b>LOGIC INPUT</b>							
Input Current with Input Voltage High	I <sub>INH</sub>	IN = 2.4V, all others = 0.8V		-0.5	0.005	0.5	μA
Input Current with Input Voltage Low	I <sub>INL</sub>	IN = 0.8V, all others = 2.4V		-0.5	0.005	0.5	μA
<b>DYNAMIC</b>							
Turn-On Time	t <sub>ON</sub>	V <sub>COM</sub> = ±3V, Figure 2	TA = +25°C	65	130	ns	
			TA = T <sub>MIN</sub> to T <sub>MAX</sub>		175		
Turn-Off Time	t <sub>OFF</sub>	V <sub>COM</sub> = ±3V, Figure 2	TA = +25°C	35	75	ns	
			TA = T <sub>MIN</sub> to T <sub>MAX</sub>		100		
Break-Before-Make Time Delay (Note 3)	t <sub>D</sub>	MAX393 only, RL = 300Ω, CL = 35pF, Figure 3		5	10	ns	
Charge Injection (Note 3)	Q	CL = 1.0nF, V <sub>GEN</sub> = 0V, R <sub>GEN</sub> = 0Ω, Figure 4	TA = +25°C	2	5	pC	
Off Isolation (Note 7)	OIRR	RL = 50Ω, CL = 5pF, f = 1MHz, Figure 5	TA = +25°C	72		dB	
Crosstalk (Note 8)		RL = 50Ω, CL = 5pF, f = 1MHz, Figure 6	TA = +25°C	85		dB	
NC or NO Capacitance	C <sub>(OFF)</sub>	f = 1MHz, Figure 7	TA = +25°C	9		pF	
COM Off Capacitance	C <sub>COM(OFF)</sub>	f = 1MHz, Figure 7	TA = +25°C	9		pF	
COM On Capacitance	C <sub>COM(ON)</sub>	f = 1MHz, Figure 8	TA = +25°C	22		pF	
<b>SUPPLY</b>							
Power-Supply Range				-8.0		+8.0	V
Positive Supply Current	I+	V+ = 5.5V, V- = -5.5V, VIN = 0V or V+, All channels on or off	TA = T <sub>MIN</sub> to T <sub>MAX</sub>	-1		1	μA
Negative Supply Current	I-	V+ = 5.5V, V- = -5.5V, VIN = 0V or V+, All channels on or off	TA = T <sub>MIN</sub> to T <sub>MAX</sub>	-1		1	μA

# Precision, Quad, SPST Analog Switches

MAX391/MAX392/MAX393

## ELECTRICAL CHARACTERISTICS—Single +5V Supply

(V+ = +5V ±10%, V- = 0V ±10%, GND = 0V, VINH = 2.4V, VINL = 0.8V, TA = TMIN to TMAX, unless otherwise noted.)

PARAMETER	SYMBOL	CONDITIONS		MIN	TYP (Note 2)	MAX	UNITS
<b>ANALOG SWITCH</b>							
Analog Signal Range	V <sub>COM</sub> , V <sub>NO</sub> , V <sub>NC</sub>	(Note 3)		0		V+	V
On-Resistance	R <sub>ON</sub>	V+ = 4.5V, I <sub>COM</sub> = -10mA, V <sub>NO</sub> or V <sub>NC</sub> = 3.5V	TA = +25°C	30	60		Ω
			TA = T <sub>MIN</sub> to T <sub>MAX</sub>		75		
On-Resistance Match Between Channels (Note 4)	ΔR <sub>ON</sub>	V+ = 5V, I <sub>COM</sub> = -1.0mA, V <sub>NO</sub> or V <sub>NC</sub> = 3V	TA = +25°C	0.8	2		Ω
			TA = T <sub>MIN</sub> to T <sub>MAX</sub>		4		
On-Resistance Flatness (Notes 3, 5)	R <sub>FLAT(ON)</sub>	V+ = 5V, I <sub>COM</sub> = -1.0mA, V <sub>NO</sub> or V <sub>NC</sub> = 1V, 3V	TA = +25°C	2	6		Ω
			TA = T <sub>MIN</sub> to T <sub>MAX</sub>		8		
NO or NC Off Leakage Current (Note 9)	I <sub>NO(OFF)</sub> or I <sub>NC(OFF)</sub>	V+ = 5.5V, V <sub>COM</sub> = 0V, V <sub>NO</sub> or V <sub>NC</sub> = 4.5V	TA = +25°C	-0.25	0.01	0.25	nA
			TA = T <sub>MIN</sub> to T <sub>MAX</sub>	C, E	-0.1	0.1	
				M	-2.5	2.5	
COM Off Leakage Current (Note 9)	I <sub>COM(OFF)</sub>	V+ = 5.5V, V <sub>COM</sub> = 0V, V <sub>NO</sub> or V <sub>NC</sub> = 4.5V	TA = +25°C	-0.1	0.1		nA
			TA = T <sub>MIN</sub> to T <sub>MAX</sub>	C, E	-2.5	2.5	
				M	-5.0	5.0	
COM On Leakage Current (Note 9)	I <sub>COM(ON)</sub>	V+ = 5.5V, V <sub>COM</sub> = 5V, V <sub>NO</sub> or V <sub>NC</sub> = 4.5V	TA = +25°C	-0.2	0.2		nA
			TA = T <sub>MIN</sub> to T <sub>MAX</sub>	C, E	-5.0	5.0	
				M	-20	20	
<b>DYNAMIC</b>							
Turn-On Time	t <sub>ON</sub>	V <sub>NO</sub> or V <sub>NC</sub> = 3V	TA = +25°C	85	170		ns
			TA = T <sub>MIN</sub> to T <sub>MAX</sub>		240		
Turn-Off Time	t <sub>OFF</sub>	V <sub>NO</sub> or V <sub>NC</sub> = 3V	TA = +25°C	25	50		ns
			TA = T <sub>MIN</sub> to T <sub>MAX</sub>		100		
Break-Before-Make Time Delay (Note 3)	t <sub>D</sub>	MAX393 only, R <sub>L</sub> = 300Ω, C <sub>L</sub> = 35pF		10			ns
Charge Injection (Note 3)	Q	C <sub>L</sub> = 1.0nF, V <sub>GEN</sub> = 0V, R <sub>GEN</sub> = 0Ω, Figure 4	TA = +25°C	1	5		pC
<b>SUPPLY</b>							
Positive Supply Current	I+	V+ = 5.5V, V <sub>IN</sub> = 0V or V+, all channels on or off		-1	1		μA
Negative Supply Current	I-	V+ = 5.5V, V <sub>IN</sub> = 0V or V+, all channels on or off		-1	1		μA

# Precision, Quad, SPST Analog Switches

MAX391/MAX392/MAX393

## ELECTRICAL CHARACTERISTICS—Single +3.3V Supply

(V+ = +3.0V to +3.6V, GND = 0V, VINH = 2.4V, VINL = 0.8V, TA = TMIN to TMAX, unless otherwise noted.)

PARAMETER	SYMBOL	CONDITIONS		MIN	TYP (Note 2)	MAX	UNITS
<b>ANALOG SWITCH</b>							
Analog Signal Range	VCOM, VNO, VNC	(Note 3)		0		V+	V
Channel On-Resistance	RON	V+ = 3V, ICOM = -1.0mA, VNO or VNC = 1.5V	TA = +25°C	83	175		Ω
			TA = TMIN to TMAX		275		
<b>DYNAMIC</b>							
Turn-On Time (Note 3)	tON	VNO or VNC = 1.5V	TA = +25°C	160	400		ns
			TA = TMIN to TMAX		500		
Turn-Off Time (Note 3)	tOFF	VNO or VNC = 1.5V	TA = +25°C	40	125		ns
			TA = TMIN to TMAX		175		
Break-Before-Make Time Delay (Note 3)	tD	MAX393 only, RL = 300Ω, CL = 35pF	TA = +25°C	20			ns
Charge Injection (Note 3)	Q	CL = 1.0nF, VGEN = 0V, RGEN = 0V	TA = +25°C		1	5	pC
<b>SUPPLY</b>							
Positive Supply Current	I+	V+ = 3.6V, VIN = 0V or V+, all channels on or off		-1		1	μA
Negative Supply Current	I-	V+ = 3.6V, VIN = 0V or V+, all channels on or off		-1		1	μA

**Note 2:** The algebraic convention, where the most negative value is a minimum and the most positive value a maximum, is used in this data sheet.

**Note 3:** Guaranteed by design.

**Note 4:**  $\Delta R_{ON} = \Delta R_{ON\ max} - \Delta R_{ON\ min}$ .

**Note 5:** Flatness is defined as the difference between the maximum and minimum value of on-resistance as measured over the specified analog signal range.

**Note 6:** Leakage parameters are 100% tested at maximum rated hot temperature and guaranteed by correlation at +25°C.

**Note 7:** Off Isolation =  $20\log_{10} [V_{COM} / (V_{NC} \text{ or } V_{NO})]$ , VCOM = output, VNC or VNO = input to off switch.

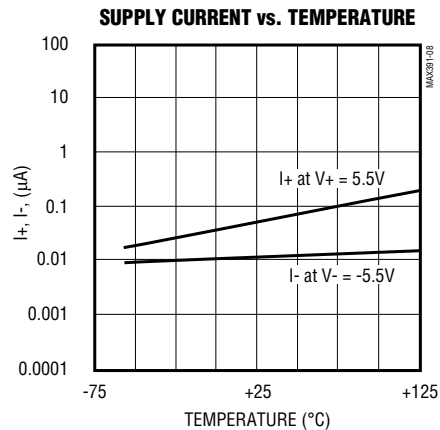
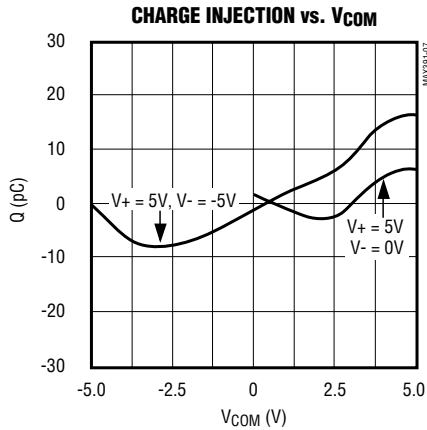
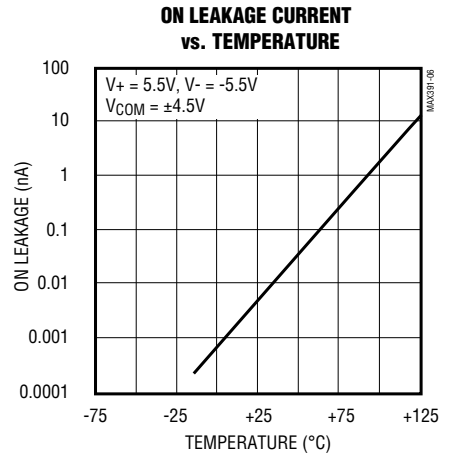
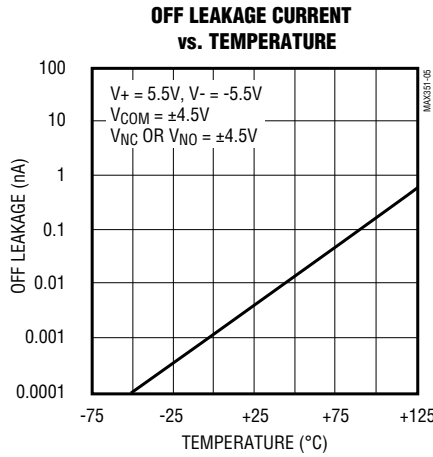
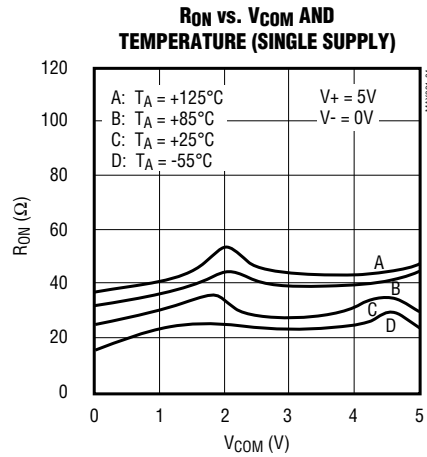
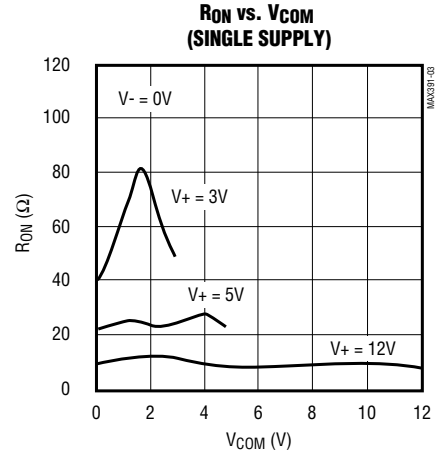
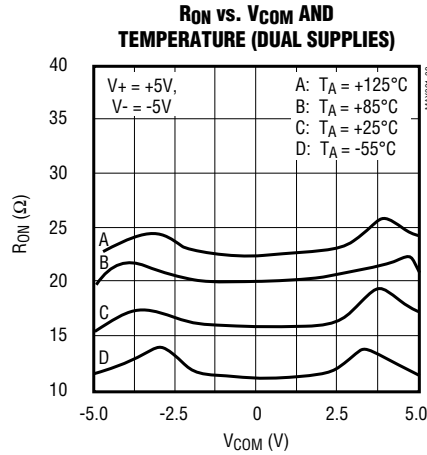
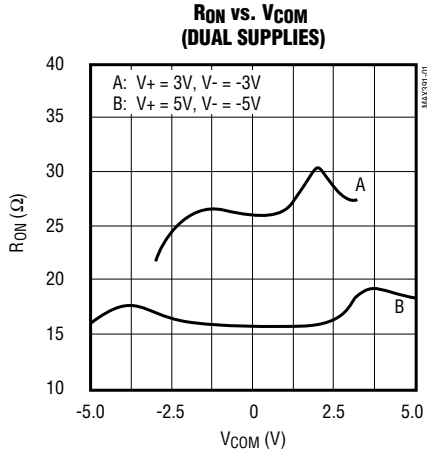
**Note 8:** Between any two switches.

**Note 9:** Leakage testing at single supply is guaranteed by testing with dual singles.

# Precision, Quad, SPST Analog Switches

## Typical Operating Characteristics

( $T_A = +25^\circ\text{C}$ , unless otherwise noted.)



# Precision, Quad, SPST Analog Switches

## Pin Description

PIN		NAME	FUNCTION
DIP/SO/TSSOP	QFN		
1, 16, 9, 8	15, 14, 7, 6	IN1–IN4	Logic Control Inputs
2, 15, 10, 7	16, 13, 8, 5	COM1–COM4	Analog-Switch Common Terminal
3, 14, 11, 6	1, 12, 9, 4	NO or NC	Analog-Switch NO or NC Terminal
4	2	V-	Negative-Supply Voltage Input
5	3	GND	Ground
12	10	N.C.	No Connection. Not internally connected.
13	11	V+	Positive-Supply Voltage Input—Connected to Substrate

## Applications Information

### Overvoltage Protection

Proper power-supply sequencing is recommended for all CMOS devices. Do not exceed the absolute maximum ratings, because stresses beyond the listed ratings may cause permanent damage to the devices. Always sequence V+ on first, followed by V-, and then logic inputs. If power-supply sequencing is not possible, add two small signal diodes in series with supply pins for overvoltage protection (Figure 1). Adding diodes reduces the analog signal range to 1V below V+ and 1V below V-, but low switch resistance and low leakage characteristics are unaffected. Device operation is unchanged, and the difference between V+ and V- should not exceed 17V.

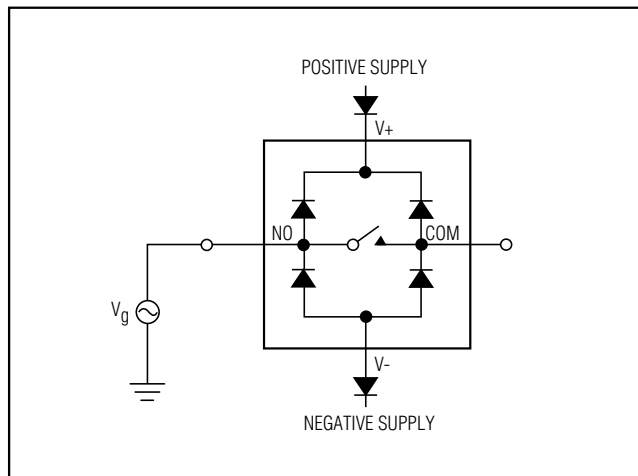


Figure 1. Overvoltage Protection Using Two External Blocking Diodes

MAX391/MAX392/MAX393

# Precision, Quad, SPST Analog Switches

## Test Circuits/Timing Diagrams

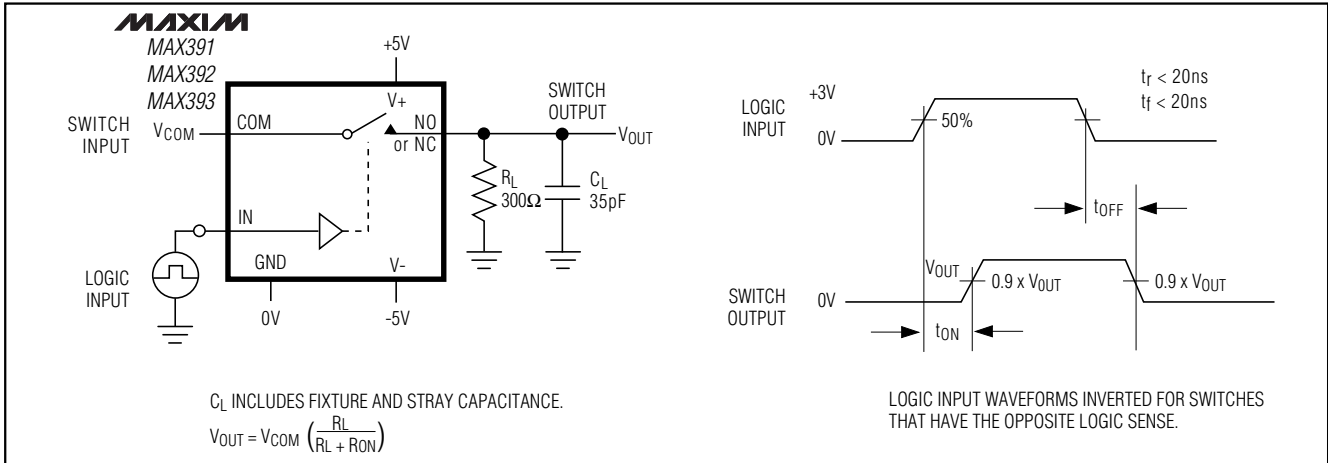


Figure 2. Switching Time

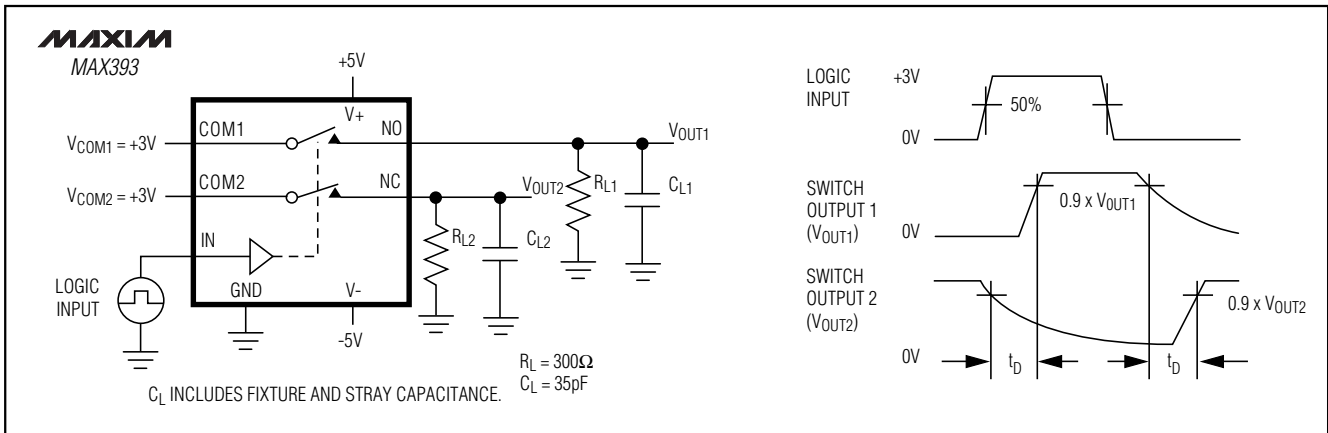


Figure 3. Break-Before-Make Interval (MAX393 Only)

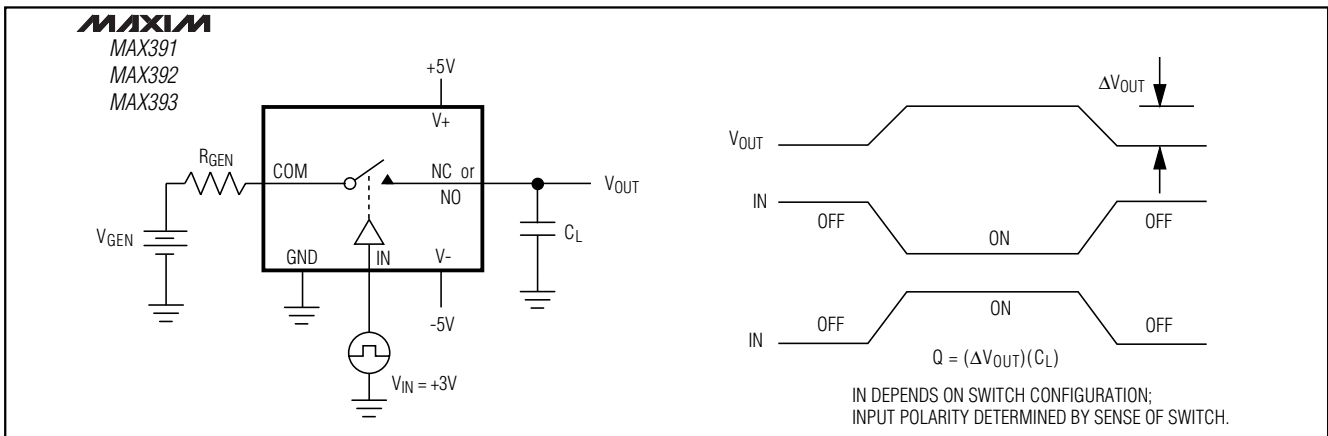


Figure 4. Charge Injection



# Precision, Quad, SPST Analog Switches

## Test Circuits/Timing Diagrams (continued)

**MAX391/MAX392/MAX393**

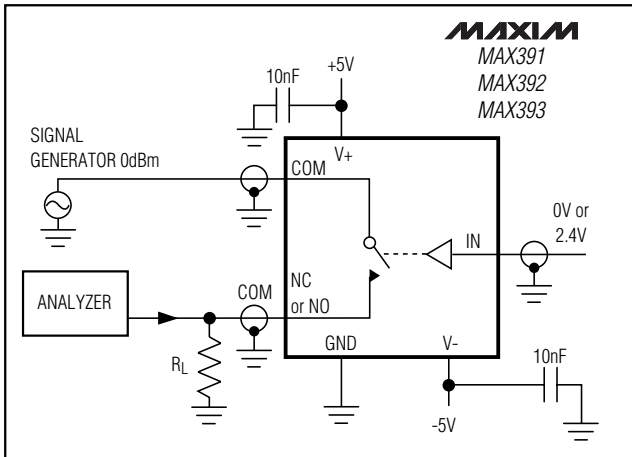


Figure 5. Isolation

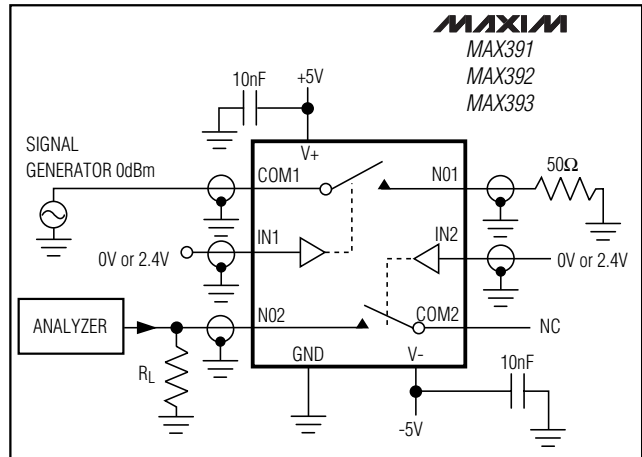


Figure 6. Crosstalk

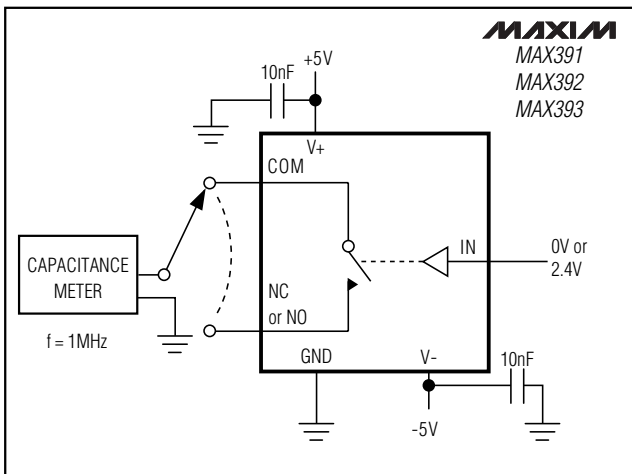


Figure 7. Channel-Off Capacitance

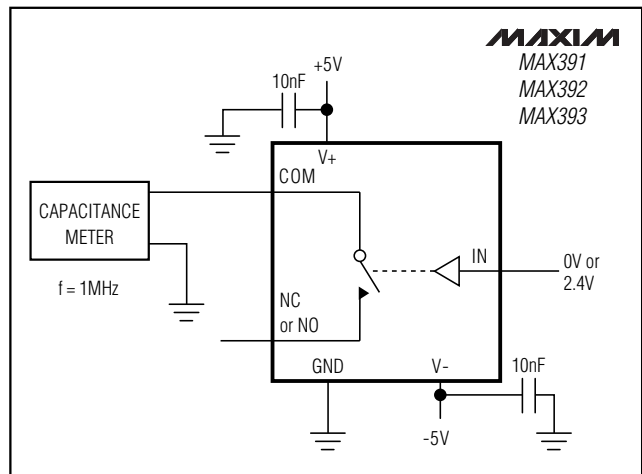


Figure 8. Channel-On Capacitance

# Precision, Quad, SPST Analog Switches

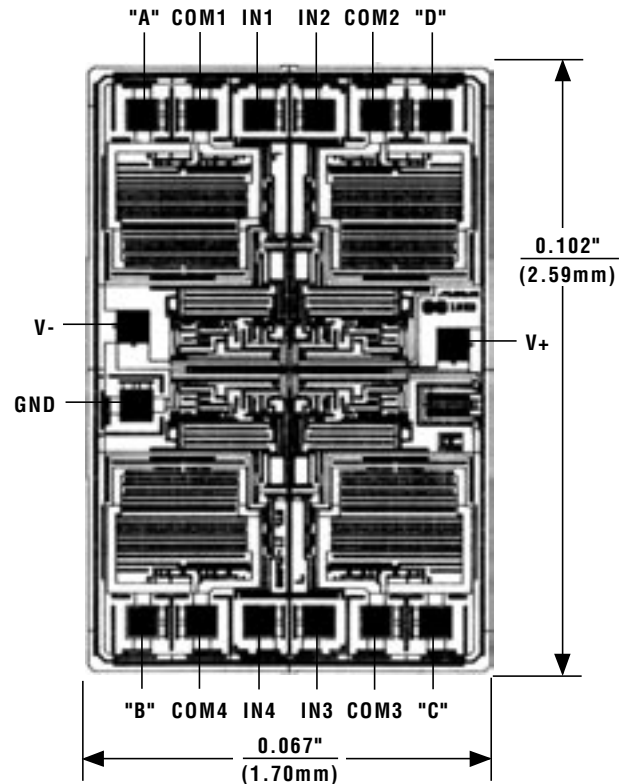
## Ordering Information (continued)

PART	TEMP RANGE	PIN-PACKAGE
MAX391EJE	-40°C to +85°C	16 CERDIP
MAX391MJE	-55°C to +125°C	16 CERDIP**
<b>MAX392</b> CPE	0°C to +70°C	16 Plastic DIP
MAX392CSE	0°C to +70°C	16 Narrow SO
MAX392CUE	0°C to +70°C	16 TSSOP
MAX392CGE	0°C to +70°C	16 QFN
MAX392C/D	0°C to +70°C	Dice*
MAX392EPE	-40°C to +85°C	16 Plastic DIP
MAX392ESE	-40°C to +85°C	16 Narrow SO
MAX392EUE	-40°C to +85°C	16 TSSOP
MAX392EGE	-40°C to +85°C	16 QFN
MAX392EJE	-40°C to +85°C	16 CERDIP
MAX392MJE	-55°C to +125°C	16 CERDIP**
<b>MAX393</b> CPE	0°C to +70°C	16 Plastic DIP
MAX393CSE	0°C to +70°C	16 Narrow SO
MAX393CUE	0°C to +70°C	16 TSSOP
MAX393CGE	0°C to +70°C	16 QFN
MAX393C/D	0°C to +70°C	Dice*
MAX393EPE	-40°C to +85°C	16 Plastic DIP
MAX393ESE	-40°C to +85°C	16 Narrow SO
MAX393EUE	-40°C to +85°C	16 TSSOP
MAX393EGE	-40°C to +85°C	16 QFN
MAX393EJE	-40°C to +85°C	16 CERDIP
MAX393MJE	-55°C to +125°C	16 CERDIP**

\* Contact factory for dice specifications.

\*\* Contact factory for availability and processing to MIL-STD-883B.

## Chip Topography



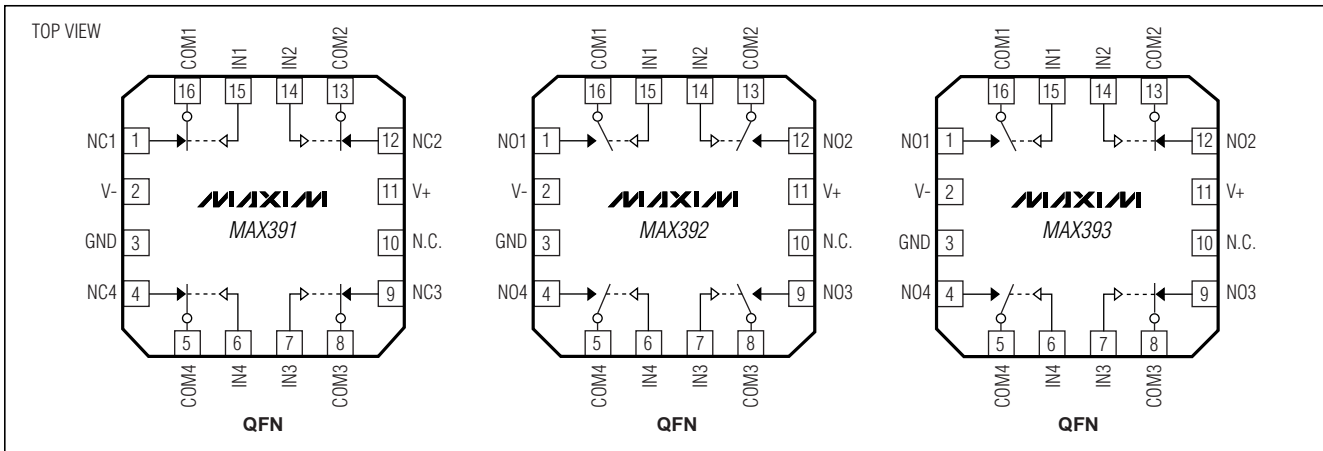
MAX391		MAX392		MAX393	
PIN	NAME	PIN	NAME	PIN	NAME
A	NC1	A	NO1	A	NO1
B	NC4	B	NO4	B	NO4
C	NC3	C	NO3	C	NC3
D	NC2	D	NO2	D	NC2

TRANSISTOR COUNT: 76

SUBSTRATE CONNECTED TO V+

# Precision, Quad, SPST Analog Switches

## Pin Configurations/Functional Diagrams/Truth Tables (continued)



## Package Information

(The package drawing(s) in this data sheet may not reflect the most current specifications. For the latest package outline information go to [www.maxim-ic.com/packages](http://www.maxim-ic.com/packages)

TOP VIEW

BOTTOM VIEW

SIDE VIEW

END VIEW

DETAIL 'A'

LEAD TIP DETAIL

DIMENSION	COMMON DIMENSIONS			
	MILLIMETERS		INCHES	
	MIN.	MAX.	MIN.	MAX.
A	0.05	0.15	.002	.006
A <sub>1</sub>	0.85	0.95	.033	.037
A <sub>2</sub>	0.19	0.30	.007	.012
b	0.19	0.25	.007	.010
b <sub>1</sub>	0.090	0.20	.0035	.008
c	0.090	0.135	.0035	.0053
D	SEE VARIATIONS SEE VARIATIONS			
E	4.30	4.50	.169	.177
e	0.65 BSC .026 BSC			
H	6.25	6.50	.246	.256
L	0.50	0.70	.020	.028
N	SEE VARIATIONS SEE VARIATIONS			
N	2.85	3.15	.112	.124
Y	0°	8°	0°	8°

JEDEC	N	VARIATIONS				
		MILLIMETERS		INCHES		
		MIN.	MAX.	MIN.	MAX.	
AB	14	D	4.90	5.10	.193	.201
AC	16	D	4.90	5.10	.193	.201
AC-EP	16	D	4.90	5.10	.193	.201
		X	2.85	3.15	.112	.124
AD	20	D	6.40	6.60	.252	.260
AD-EP	20	D	6.40	6.60	.252	.260
		X	4.00	4.34	.157	.171
AE	24	D	7.70	7.90	.303	.311
AF	28	D	9.60	9.80	.378	.386
AF-EP		D	9.60	9.80	.378	.386
		X	5.35	5.65	.211	.222

NOTES:

- DIMENSIONS D AND E DO NOT INCLUDE FLASH.
- MOLD FLASH OR PROTRUSIONS NOT TO EXCEED .15 mm PER SIDE.
- CONTROLLING DIMENSION: MILLIMETER.
- MEETS JEDEC OUTLINE MD-153 VARIATIONS AB, AC, AD, AE, AF.
- DIMENSIONS X AND Y APPLY TO EXPOSED PAD (EP) VERSIONS ONLY.
- EXPOSED PAD FLUSH WITH BOTTOM OF PACKAGE WITHIN .002".

MAXIM

PROPRIETARY INFORMATION

TITLE: PACKAGE OUTLINE, TSSOP, 4.40mm BODY, 0.65mm PITCH

APPROVAL: 21-0066

REV: C 1/1

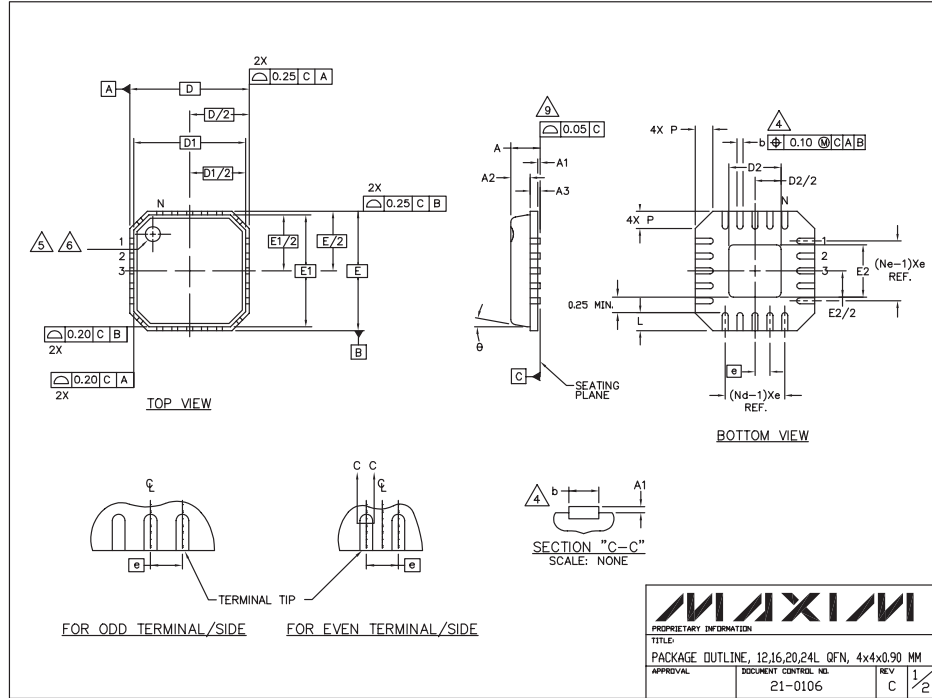
MAX391/MAX392/MAX393

TSSOP-EPS

# Precision, Quad, SPST Analog Switches

## Package Information (continued)

(The package drawing(s) in this data sheet may not reflect the most current specifications. For the latest package outline information go to [www.maxim-ic.com/packages](http://www.maxim-ic.com/packages).)



### NOTES:

- DIE THICKNESS ALLOWABLE IS 0.305mm MAXIMUM (.012 INCHES MAXIMUM)
- DIMENSIONING & TOLERANCES CONFORM MUST TO ASME Y14.5M. - 1994.
- N IS THE NUMBER OF TERMINALS.  
Nd IS THE NUMBER OF TERMINALS IN X-DIRECTION & Ne IS THE NUMBER OF TERMINALS IN Y-DIRECTION.
- DIMENSION b APPLIES TO PLATED TERMINAL AND IS MEASURED BETWEEN 0.20 AND 0.25mm FROM TERMINAL TIP.
- THE PIN #1 IDENTIFIER MUST BE EXISTED ON THE TOP SURFACE OF THE PACKAGE BY USING INDENTATION MARK OR INK/LASER MARKED.
- EXACT SHAPE AND SIZE OF THIS FEATURE IS OPTIONAL.
- ALL DIMENSIONS ARE IN MILLIMETERS.
- PACKAGE WARPAGE MAX 0.05mm.
- APPLIED FOR EXPOSED PAD AND TERMINALS. EXCLUDE EMBEDDING PART OF EXPOSED PAD FROM MEASURING.
- MEETS JEDEC MO220.
- THIS PACKAGE OUTLINE APPLIES TO ANVIL SINGULATION (STEPPEDED SIDES) AND TO SAW SINGULATION (STRAIGHT SIDES) QFN STYLES.

S	COMMON DIMENSIONS			N <sub>o</sub>	N <sub>e</sub>
	MIN.	NOM.	MAX.		
A	0.80	0.90	1.00		
A1	0.00	0.01	0.05		
A2	0.00	0.65	0.80		
A3	0.20 REF.				
D	4.00 BSC				
D1	3.75 BSC				
E	4.00 BSC				
E1	3.75 BSC				
a	0"		12"		
P	0.00	0.42	0.60		
D2	0.75		2.25		
E2	0.75		2.25		

S	PITCH VARIATION A			N <sub>o</sub>	N <sub>e</sub>	S	PITCH VARIATION B			N <sub>o</sub>	N <sub>e</sub>	S	PITCH VARIATION C			N <sub>o</sub>	N <sub>e</sub>	S	PITCH VARIATION D			N <sub>o</sub>	N <sub>e</sub>
	MIN.	NOM.	MAX.				MIN.	NOM.	MAX.				MIN.	NOM.	MAX.				MIN.	NOM.	MAX.		
Ⓞ	0.80 BSC					Ⓞ	0.65 BSC					Ⓞ	0.50 BSC					Ⓞ	0.50 BSC				
N	12			3	N	16			3	N	20			3	N	24			3			3	
Nd	3			3	Nd	4			3	Nd	5			3	Nd	6			3			3	
Ne	3			3	Ne	4			3	Ne	5			3	Ne	6			3			3	
L	0.50	0.60	0.75		L	0.50	0.60	0.75		L	0.50	0.60	0.75		L	0.30	0.40	0.55					
b	0.28	0.33	0.40	4	b	0.23	0.28	0.35	4	b	0.18	0.23	0.30	4	b	0.18	0.23	0.30	4				

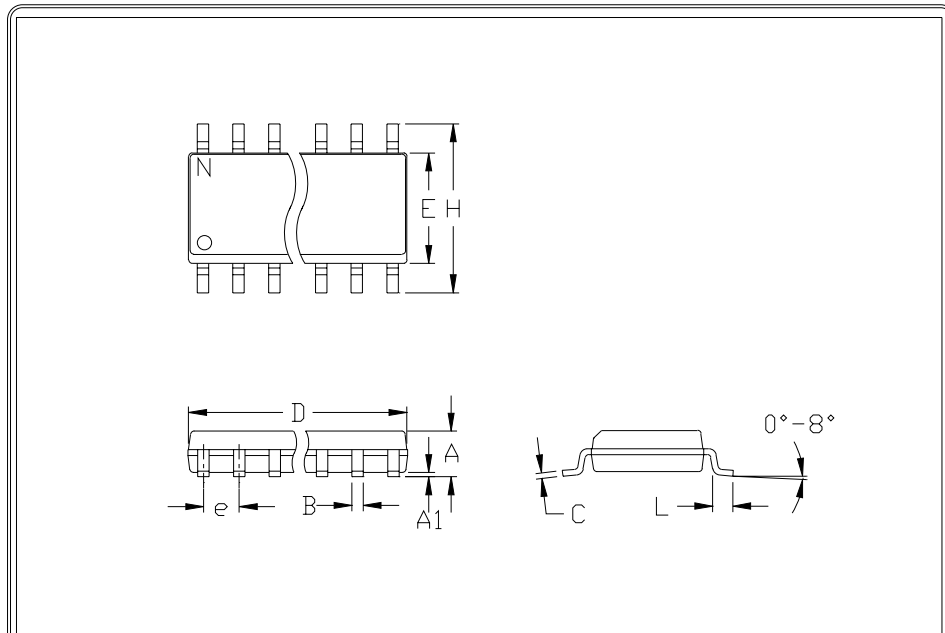
MAXIM	
PROPRIETARY INFORMATION	
TITLE: PACKAGE OUTLINE, 12,16,20,24L QFN, 4x4x0.90 MM	
APPROVAL:	DOCUMENT CONTROL NO. 21-0106 REV C 2/2

# Precision, Quad, SPST Analog Switches

## Package Information (continued)

(The package drawing(s) in this data sheet may not reflect the most current specifications. For the latest package outline information go to [www.maxim-ic.com/packages](http://www.maxim-ic.com/packages).)

MAX391/MAX392/MAX393



	INCHES		MILLIMETERS	
	MIN	MAX	MIN	MAX
A	0.053	0.069	1.35	1.75
A1	0.004	0.010	0.10	0.25
B	0.014	0.019	0.35	0.49
C	0.007	0.010	0.19	0.25
e	0.050		1.27	
E	0.150	0.157	3.80	4.00
H	0.228	0.244	5.80	6.20
h	0.010	0.020	0.25	0.50
L	0.016	0.050	0.40	1.27

	INCHES		MILLIMETERS		N	MS012
	MIN	MAX	MIN	MAX		
D	0.189	0.197	4.80	5.00	8	A
D	0.337	0.344	8.55	8.75	14	B
D	0.386	0.394	9.80	10.00	16	C

- NOTES:
1. D&E DO NOT INCLUDE MOLD FLASH
  2. MOLD FLASH OR PROTRUSIONS NOT TO EXCEED .15mm (.006")
  3. LEADS TO BE COPLANAR WITHIN .102mm (.004")
  4. CONTROLLING DIMENSION: MILLIMETER
  5. MEETS JEDEC MS012-XX AS SHOWN IN ABOVE TABLE
  6. N = NUMBER OF PINS



PACKAGE FAMILY OUTLINE: SOIC .150"



21-0041 A  
DOCUMENT CONTROL NUMBER REV

Maxim cannot assume responsibility for use of any circuitry other than circuitry entirely embodied in a Maxim product. No circuit patent licenses are implied. Maxim reserves the right to change the circuitry and specifications without notice at any time.

Maxim Integrated Products, 120 San Gabriel Drive, Sunnyvale, CA 94086 408-737-7600 13