

DATA SHEET

TDA3653B

TDA3653C

Vertical deflection and guard circuit
(90°)

Product specification
File under Integrated Circuits, IC02

March 1991

Vertical deflection and guard circuit (90°)

TDA3653B
TDA3653C

GENERAL DESCRIPTION

The TDA3653B/C is a vertical deflection output circuit for drive of various deflection systems with currents up to 1.5 A peak-to-peak.

Features

- Driver
- Output stage
- Thermal protection and output stage protection
- Flyback generator
- Voltage stabilizer
- Guard circuit

QUICK REFERENCE DATA

PARAMETER	SYMBOL	MIN.	TYP.	MAX.	UNIT
Supply (note 1)					
Supply voltage range					
pin 9	$V_P = V_{9-4}$	10	–	40	V
pin 6	V_{6-4}	–	–	60	V
Output (pin 5)					
Peak output voltage during flyback					
	V_{5-4M}	–	–	60	V
Output current					
	$I_{5(p-p)}$	–	1.2	1.5	A
Operating junction temperature range					
	T_j	–25	–	+150	°C
Thermal resistance junction to mounting base					
(SOT110B)	$R_{th\ j-mb}$	–	10	–	K/W
(SOT131)	$R_{th\ j-mb}$	–	3.5	–	K/W

Note to the quick reference data

1. The maximum supply voltage should be chosen such that during flyback the voltage at pin 5 does not exceed 60 V.

PACKAGE OUTLINES

TDA3653B: 9-lead SIL; plastic (SOT110B); SOT110-1; 1996 November 25.

TDA3653C: 9-lead SIL; plastic power (SOT131); SOT131-2 November 25.

Vertical deflection and guard circuit (90°)

TDA3653B
TDA3653C

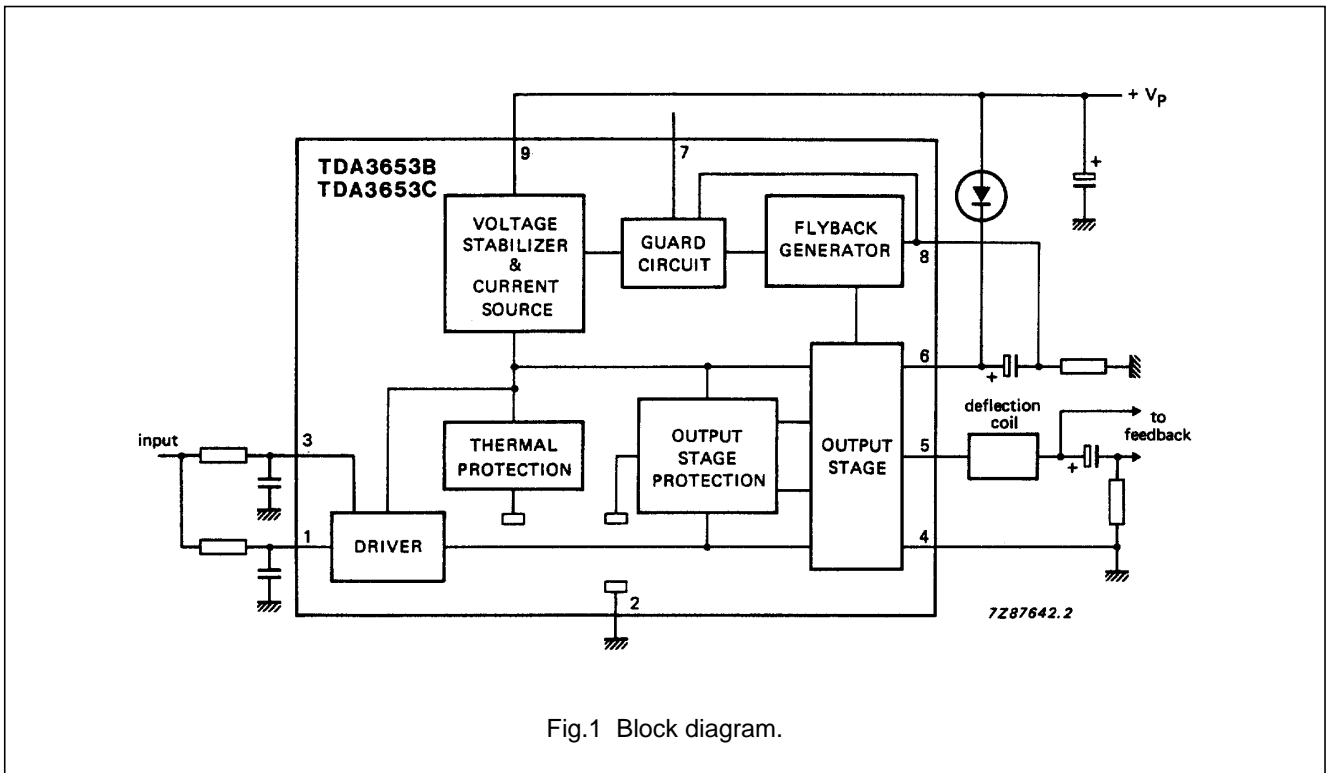


Fig.1 Block diagram.

Vertical deflection and guard circuit (90°)

TDA3653B
TDA3653C**FUNCTIONAL DESCRIPTION****Output stage and protection circuit**

Pin 5 is the output pin. The supply for the output stage is fed to pin 6 and the output stage ground is connected to pin 4. The output transistors of the class-B output stage can each deliver 0.75 A maximum. The maximum voltage for pin 5 and 6 is 60 V.

The output power transistors are protected such that their operation remains within the SOAR area. This is achieved by the co-operation of the thermal protection circuit, the current-voltage detector, the short-circuit protection and the special measures in the internal circuit layout.

Driver and switching circuit

Pin 1 is the input for the driver of the output stage. The signal at pin 1 is also applied via external resistors to pin 3 which is the input of a switching circuit. When the flyback starts, this switching circuit rapidly turns off the lower output stage and so limits the turn-off dissipation. It also allows a quick start of the flyback generator.

External connection of pin 1 to pin 3 allows for applications in which the pins are driven separately.

Flyback generator

During scan the capacitor connected between pins 6 and 8 is charged to a level which is dependent on the value of the resistor at pin 8 (see Fig.1).

When the flyback starts and the voltage at the output pin (pin 5) exceeds the supply voltage, the flyback generator is activated.

The supply voltage is then connected in series, via pin 8, with the voltage across the capacitor during the flyback period. This implies that during scan the supply voltage can be reduced to the required scan voltage plus saturation voltage of the output transistors.

The amplitude of the flyback voltage can be chosen by changing the value of the external resistor at pin 8.

It should be noted that the application is chosen such that the lowest voltage at pin 8 is > 2.5 V, during normal operation.

Guard circuit

When there is no deflection current and the flyback generator is not activated, the voltage at pin 8 reduces to less than 1.8 V. The guard circuit will then produce a DC voltage at pin 7, which can be used to blank the picture tube and thus prevent screen damage.

Voltage stabilizer

The internal voltage stabilizer provides a stabilized supply of 6 V to drive the output stage, which prevents the drive current of the output stage being affected by supply voltage variations.

Vertical deflection and guard circuit (90°)

TDA3653B
TDA3653C

RATINGS

Limiting values in accordance with the Absolute Maximum System (IEC 134); pins 4 and 2 externally connected to ground.

PARAMETER	SYMBOL	MIN.	MAX.	UNIT
Supply voltage (pin 9)	$V_P = V_{9-4}$	—	40	V
Supply voltage output stage (pin 6)	V_{6-4}	—	60	V
Output voltage (pin 5)	V_{5-4}	—	60	V
Input voltage (pins 1 and 3)	$V_{1;3-2}$	—	V_P	V
External voltage at pin 7	V_{7-2}	—	5.8	V
Peak output current (pin 5)				
repetitive	$\pm I_{5RM}$	—	0.75	A
non-repetitive	$\pm I_{5SM}$	—	1.5	A ⁽¹⁾
Peak output current (pin 8)				
repetitive	I_{8RM}	0.85	0.75	A
non-repetitive	$\pm I_{8SM}$	—	1.5	A ⁽¹⁾
Total power dissipation	P_{tot}	see Fig.2		
Storage temperature range	T_{stg}	−55	+150	°C
Operating ambient temperature range	T_{amb}	see Fig.2		
Operating junction temperature range	T_j	−25	+150	°C

Note

1. Non-repetitive duty factor maximum 3.3%.

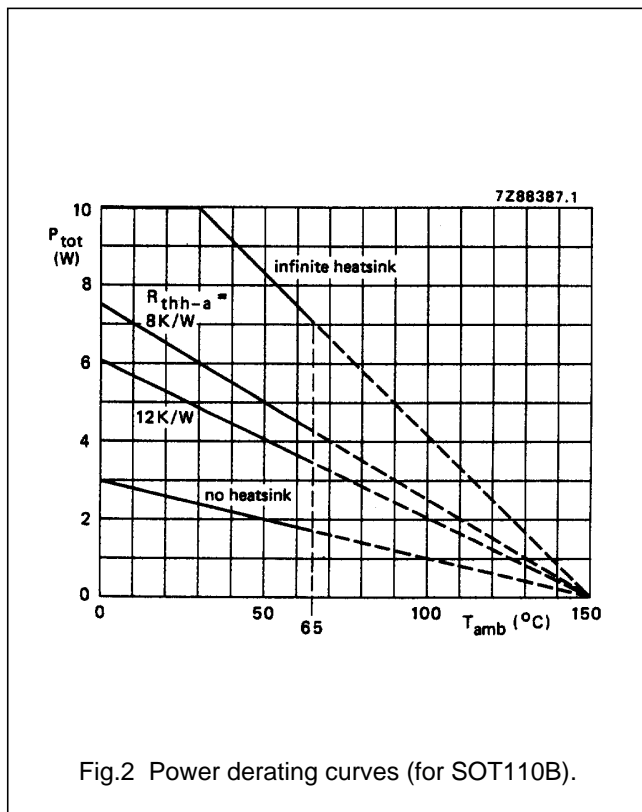


Fig.2 Power derating curves (for SOT110B).

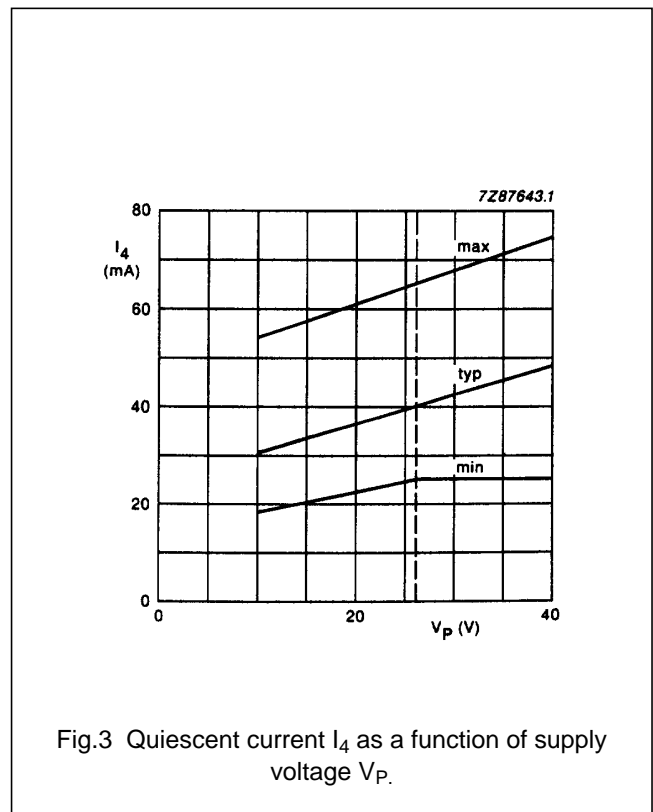


Fig.3 Quiescent current I_4 as a function of supply voltage V_P .

Vertical deflection and guard circuit (90°)

TDA3653B
TDA3653C**CHARACTERISTICS** $V_P = V_{9-4} = 26\text{ V}$; $T_{\text{amb}} = 25\text{ °C}$; pins 2 and 4 externally connected to ground; unless otherwise specified

PARAMETER	CONDITIONS	SYMBOL	MIN.	TYP.	MAX.	UNIT
Supply						
Supply voltage (pin 9)	note 1	$V_P = V_{9-4}$	10	–	40	V
Supply voltage (pin 6)	note 1	V_{6-4}	–	–	60	V
Total supply current (pin 6 and pin 9)	note 2	$I_P = I_6 + I_9$	34	50	85	mA
Quiescent current (pin 4)	see Fig.3	I_4	25	40	65	mA
Variation of quiescent current with temperature		ΔI_4	–	–0.04	–	mA/K
Output current						
Output current (pin 5) (peak-to-peak value)		$I_{5(p-p)}$	–	1.2	1.5	A
Output current flyback generator (pin 8)		$-I_8$	–	0.7	0.85	A
Output current flyback generator (pin 8)		I_8	–	0.6	0.75	A
Output voltage						
Peak voltage during flyback		V_{5-4M}	–	–	60	V
Saturation voltage to supply at $-I_5 = 0.75\text{ A}$		V_{6-5sat}	–	2.5	3.0	V
at $I_5 = 0.75\text{ A}$	note 3	V_{5-6sat}	–	2.5	3.0	V
at $-I_5 = 0.60\text{ A}$		V_{6-5sat}	–	2.2	2.7	V
at $I_5 = 0.60\text{ A}$	note 3	V_{5-6sat}	–	2.3	2.8	V
Saturation voltage to ground at $I_5 = 0.75\text{ A}$		V_{5-4sat}	–	2.3	2.7	V
at $I_5 = 0.60\text{ A}$		V_{5-4sat}	–	2.1	2.4	V
Flyback generator						
Saturation voltage at $-I_8 = 0.85\text{ A}$		V_{9-8sat}	–	1.6	2.1	V
at $I_8 = 0.75\text{ A}$	note 3	V_{8-9sat}	–	2.3	2.8	V
at $-I_8 = 0.70\text{ A}$		V_{9-8sat}	–	1.4	1.9	V
at $I_8 = 0.60\text{ A}$	note 3	V_{8-9sat}	–	2.2	2.7	V
Flyback generator active if:		V_{5-9}	4.0	–	–	V
Leakage current at pin 8		$-I_8$	–	5.0	100	μA
Input						
Input current (pin 1)	$I_5 = 0.75\text{ A}$	I_1	–	0.33	0.55	mA
Input voltage during scan (pin 1)	$I_5 = 0.75\text{ A}$	V_{1-2}	–	1.5	2.4	V
Input voltage during scan (pin 3) pins 1 and 3 not connected		V_{3-2}	0.8	–	V_P	V

Vertical deflection and guard circuit (90°)

TDA3653B
TDA3653C

PARAMETER	CONDITIONS	SYMBOL	MIN.	TYP.	MAX.	UNIT
Input current during scan (pin 3)						
pins 1 and 3 not connected		I_3	0.03	–	–	mA
pins 1 and 3 connected		I_3	–	–	0.21	mA
Input resistance (pin 3)		R_3	3.9	5.3	6.7	k Ω
Input voltage during flyback (pin 1)		V_{1-2}	–	–	250	mV
Input voltage during flyback (pin 3)		V_{3-2}	–	–	250	mV
Guard circuit						
Output voltage (pin 7)	note 4					
loaded with 100 k Ω		V_{7-2}	4.4	5.1	5.8	V
loaded with 0.5 mA		V_{7-2}	3.6	4.4	5.3	V
Internal series resistance of pin 7		R_{17}	0.95	1.35	1.7	k Ω
Guard circuit active if						
V_{8-2} is lower than	note 5	V_{8-2}	–	–	1.8	V
General data						
Thermal protection becomes active						
if junction temperature exceeds		T_j	158	175	192	$^{\circ}\text{C}$
Thermal resistance junction						
to mounting base		$R_{th\ j-mb}$	–	10	12	K/W
Open loop gain at 1 kHz	note 6	G_{ol}	–	42	–	dB
Frequency response (–3 dB)	note 7	f	–	40	–	kHz

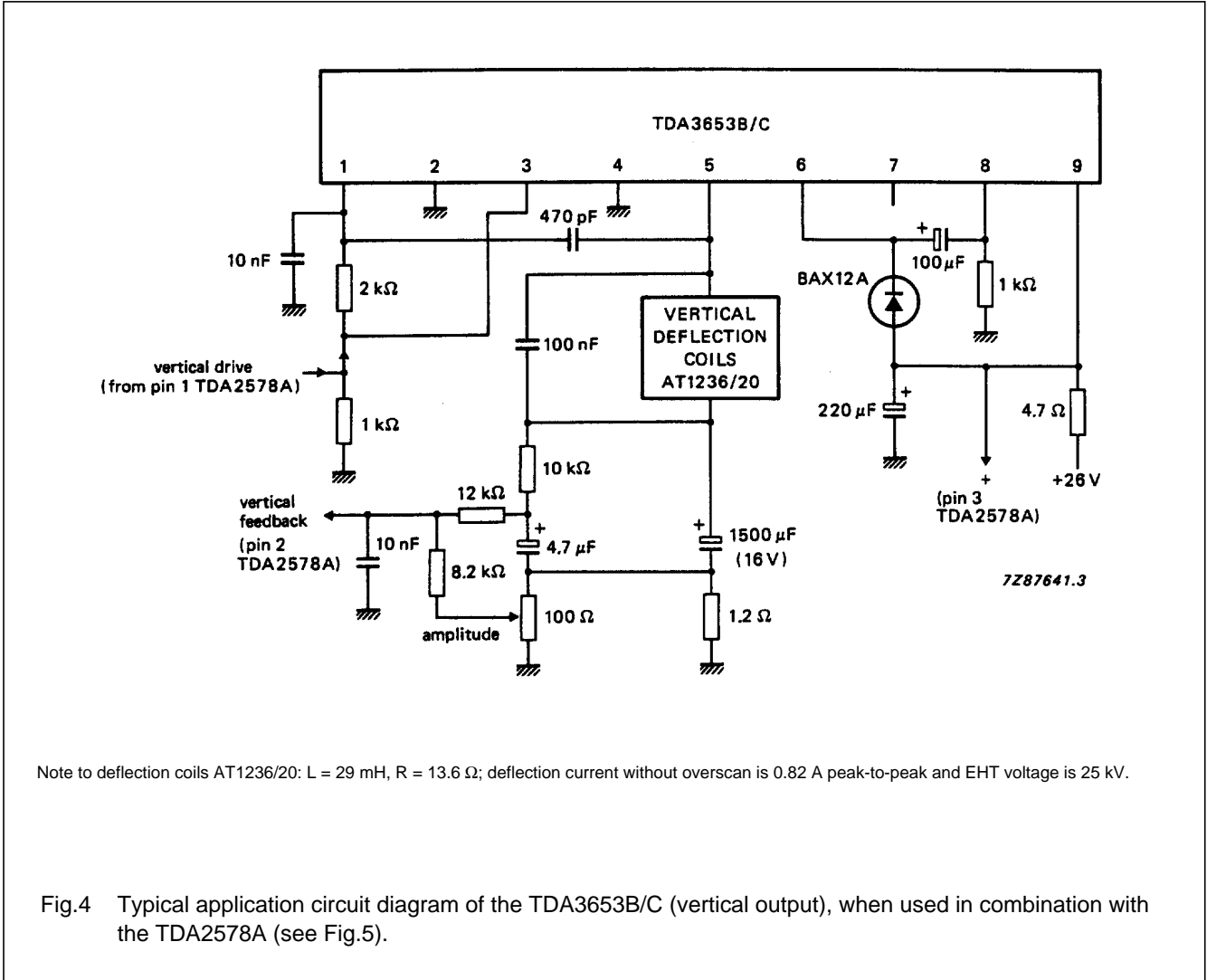
Notes to the characteristics

1. The maximum supply voltage should be chosen such that during flyback the voltage at pin 5 does not exceed 60 V.
2. When $V_{5-4} = 13$ V and no load at pin 5.
3. Duty factor maximum 3.3%.
4. Guard circuit is active.
5. During normal operation the voltage V_{8-2} may not be lower than 2.5 V.
6. $R_{load} = 8$ Ω ; $I_{load(rms)} = 125$ mA.
7. With 220 pF between pins 1 and 5.

Vertical deflection and guard circuit (90°)

TDA3653B
TDA3653C

APPLICATION INFORMATION



Vertical deflection and guard circuit (90°)

TDA3653B
TDA3653C

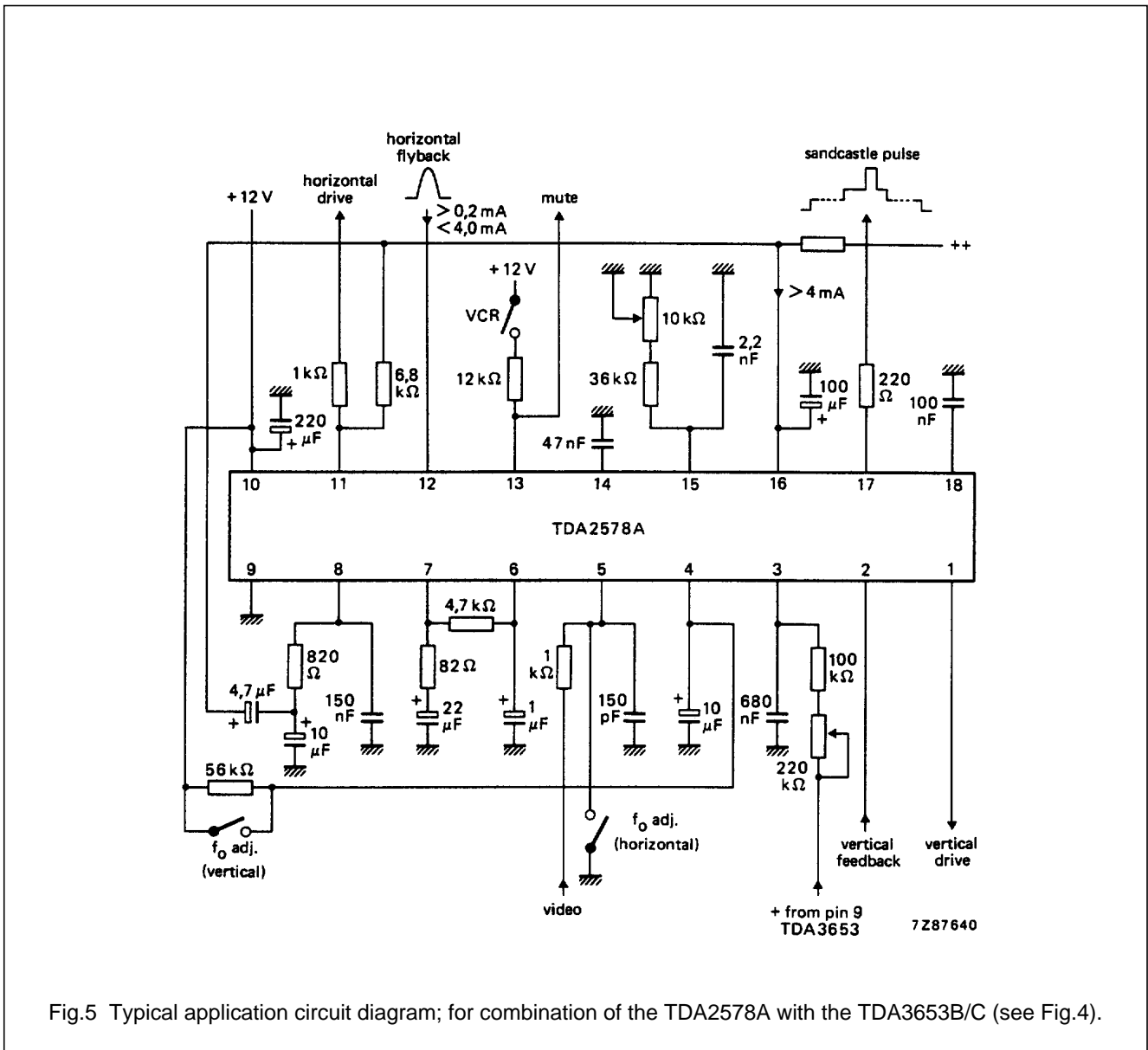


Fig.5 Typical application circuit diagram; for combination of the TDA2578A with the TDA3653B/C (see Fig.4).

Vertical deflection and guard circuit (90°)

TDA3653B
TDA3653C

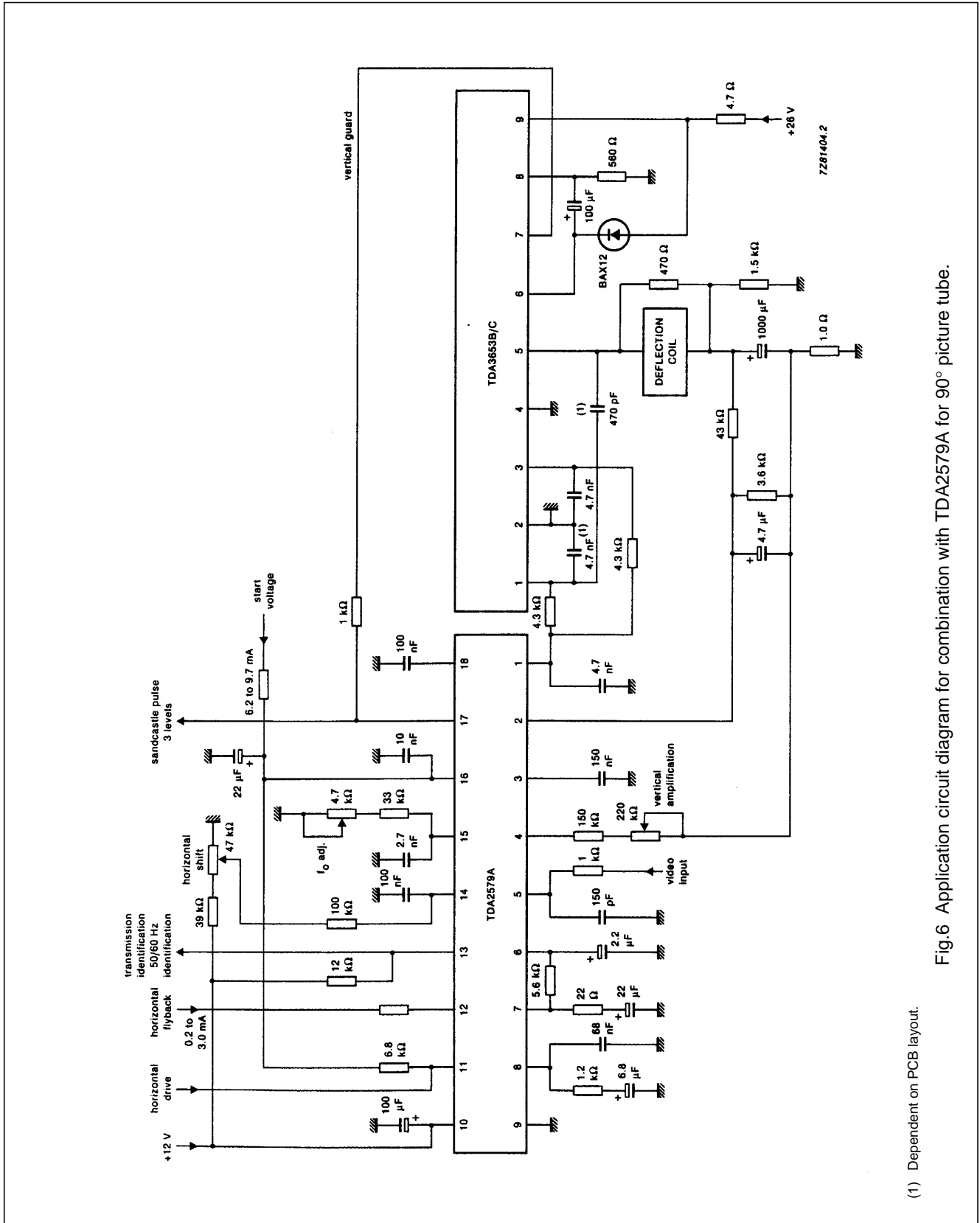


Fig.6 Application circuit diagram for combination with TDA2579A for 90° picture tube.
(1) Dependent on PCB layout.

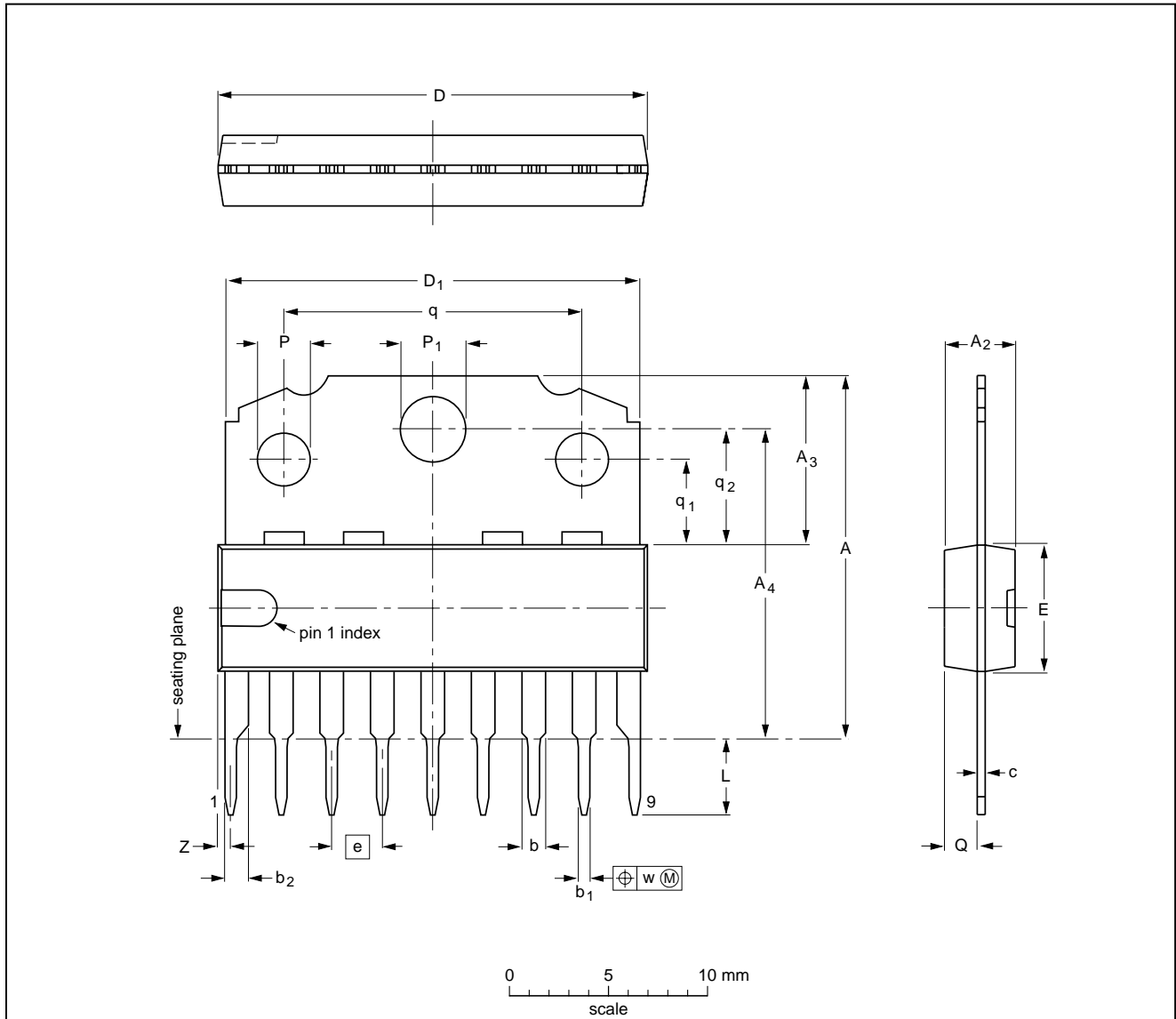
Vertical deflection and guard circuit (90°)

TDA3653B
TDA3653C

PACKAGE OUTLINES

SIL9MPF: plastic single in-line medium power package with fin; 9 leads

SOT110-1



DIMENSIONS (mm are the original dimensions)

UNIT	A	A ₂ max.	A ₃	A ₄	b	b ₁	b ₂	c	D ⁽¹⁾	D ₁	E ⁽¹⁾	e	L	P	P ₁	Q	q	q ₁	q ₂	w	Z ⁽¹⁾ max.
mm	18.5 17.8	3.7	8.7 8.0	15.8 15.4	1.40 1.14	0.67 0.50	1.40 1.14	0.48 0.38	21.8 21.4	21.4 20.7	6.48 6.20	2.54	3.9 3.4	2.75 2.50	3.4 3.2	1.75 1.55	15.1 14.9	4.4 4.2	5.9 5.7	0.25	1.0

Note

1. Plastic or metal protrusions of 0.25 mm maximum per side are not included.

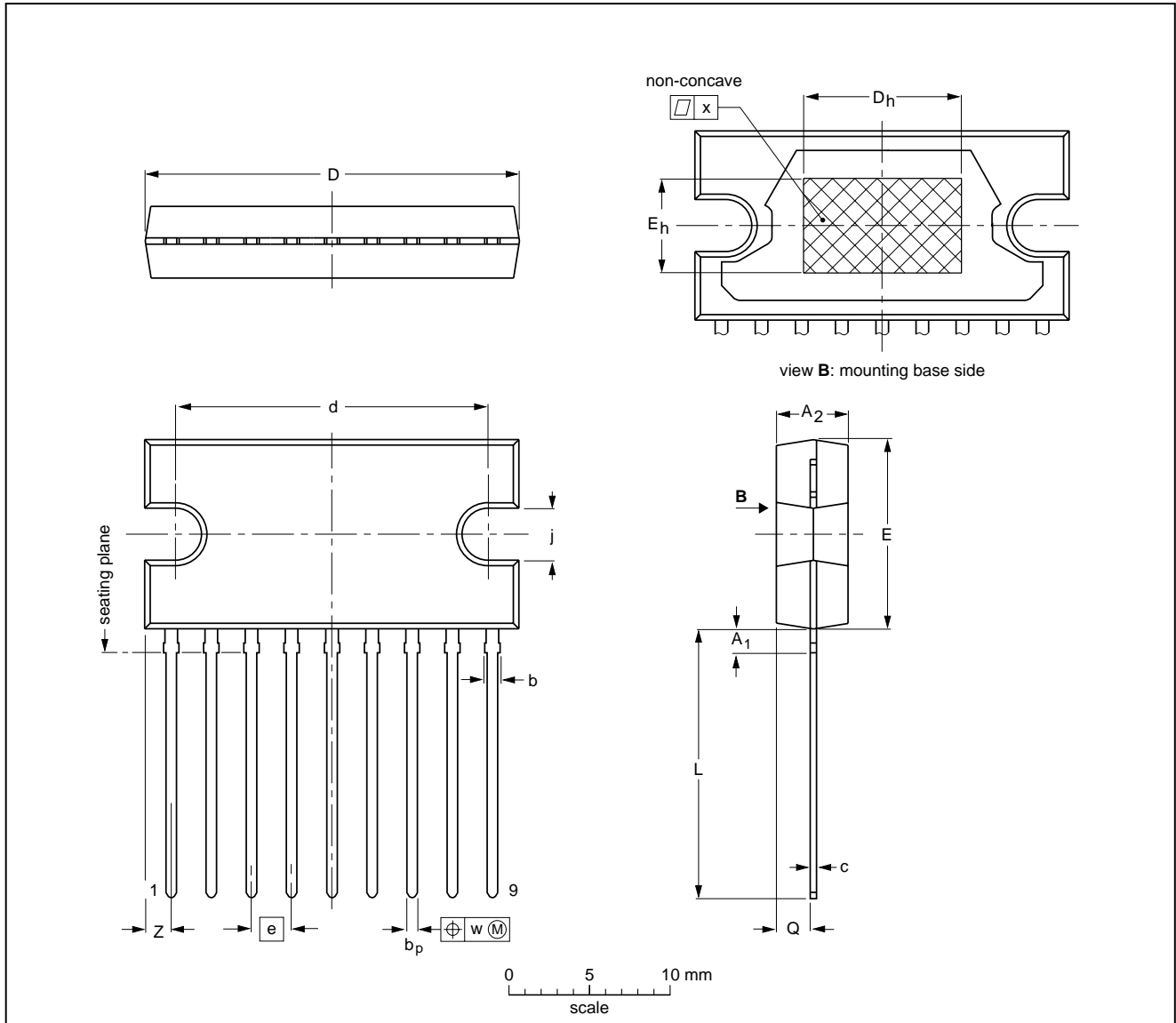
OUTLINE VERSION	REFERENCES				EUROPEAN PROJECTION	ISSUE DATE
	IEC	JEDEC	EIAJ			
SOT110-1						92-11-17 95-02-25

Vertical deflection and guard circuit (90°)

TDA3653B
TDA3653C

SIL9P: plastic single in-line power package; 9 leads

SOT131-2



DIMENSIONS (mm are the original dimensions)

UNIT	A ₁ max.	A ₂	b max.	b _p	c	D ⁽¹⁾	d	D _h	E ⁽¹⁾	e	E _h	j	L	Q	w	x	Z ⁽¹⁾
mm	2.0	4.6 4.2	1.1	0.75 0.60	0.48 0.38	24.0 23.6	20.0 19.6	10	12.2 11.8	2.54	6	3.4 3.1	17.2 16.5	2.1 1.8	0.25	0.03	2.00 1.45

Note

1. Plastic or metal protrusions of 0.25 mm maximum per side are not included.

OUTLINE VERSION	REFERENCES			EUROPEAN PROJECTION	ISSUE DATE
	IEC	JEDEC	EIAJ		
SOT131-2					92-11-17 95-03-11

Vertical deflection and guard circuit (90°)

TDA3653B
TDA3653C

SOLDERING

Introduction

There is no soldering method that is ideal for all IC packages. Wave soldering is often preferred when through-hole and surface mounted components are mixed on one printed-circuit board. However, wave soldering is not always suitable for surface mounted ICs, or for printed-circuits with high population densities. In these situations reflow soldering is often used.

This text gives a very brief insight to a complex technology. A more in-depth account of soldering ICs can be found in our "IC Package Databook" (order code 9398 652 90011).

Soldering by dipping or by wave

The maximum permissible temperature of the solder is 260 °C; solder at this temperature must not be in contact with the joint for more than 5 seconds. The total contact time of successive solder waves must not exceed 5 seconds.

The device may be mounted up to the seating plane, but the temperature of the plastic body must not exceed the specified maximum storage temperature ($T_{stg\ max}$). If the printed-circuit board has been pre-heated, forced cooling may be necessary immediately after soldering to keep the temperature within the permissible limit.

Repairing soldered joints

Apply a low voltage soldering iron (less than 24 V) to the lead(s) of the package, below the seating plane or not more than 2 mm above it. If the temperature of the soldering iron bit is less than 300 °C it may remain in contact for up to 10 seconds. If the bit temperature is between 300 and 400 °C, contact may be up to 5 seconds.

DEFINITIONS

Data sheet status	
Objective specification	This data sheet contains target or goal specifications for product development.
Preliminary specification	This data sheet contains preliminary data; supplementary data may be published later.
Product specification	This data sheet contains final product specifications.
Limiting values	
Limiting values given are in accordance with the Absolute Maximum Rating System (IEC 134). Stress above one or more of the limiting values may cause permanent damage to the device. These are stress ratings only and operation of the device at these or at any other conditions above those given in the Characteristics sections of the specification is not implied. Exposure to limiting values for extended periods may affect device reliability.	
Application information	
Where application information is given, it is advisory and does not form part of the specification.	

LIFE SUPPORT APPLICATIONS

These products are not designed for use in life support appliances, devices, or systems where malfunction of these products can reasonably be expected to result in personal injury. Philips customers using or selling these products for use in such applications do so at their own risk and agree to fully indemnify Philips for any damages resulting from such improper use or sale.