



## HORIZONTAL AND VERTICAL DEFLECTION CIRCUIT

### FEATURES SUMMARY

- DIRECT LINE DARLINGTON DRIVE
- DIRECT FRAME-YOKE DRIVE ( $\pm 1A$ )
- COMPOSITE VIDEO SIGNAL INPUT CAPABILITY
- FRAME OUTPUT PROTECTION AGAINST SHORT CIRCUITS
- PLL
- VIDEO IDENTIFICATION CIRCUIT
- SUPER SANDCASTLE OUTPUT
- VERY FEW EXTERNAL COMPONENTS
- VERY LOWCOST POWER PACKAGE

### DESCRIPTION

The TDA8215B is an horizontal and vertical deflection circuit with super sandcastle generator and video identification output. Used with TDA8213 (Video & Sound IF system) and TDA8217 (Pal decoder and video processor), this IC permits a complete low-cost solution for PAL applications. The TDA8215B has been specially designed for direct drive of line DARLINGTON transistors.

Figure 1. Package

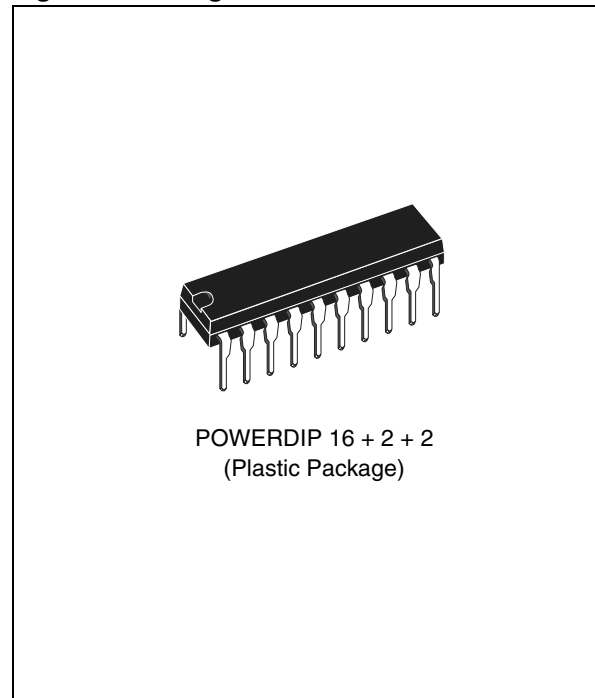


Figure 2. Pin Connections

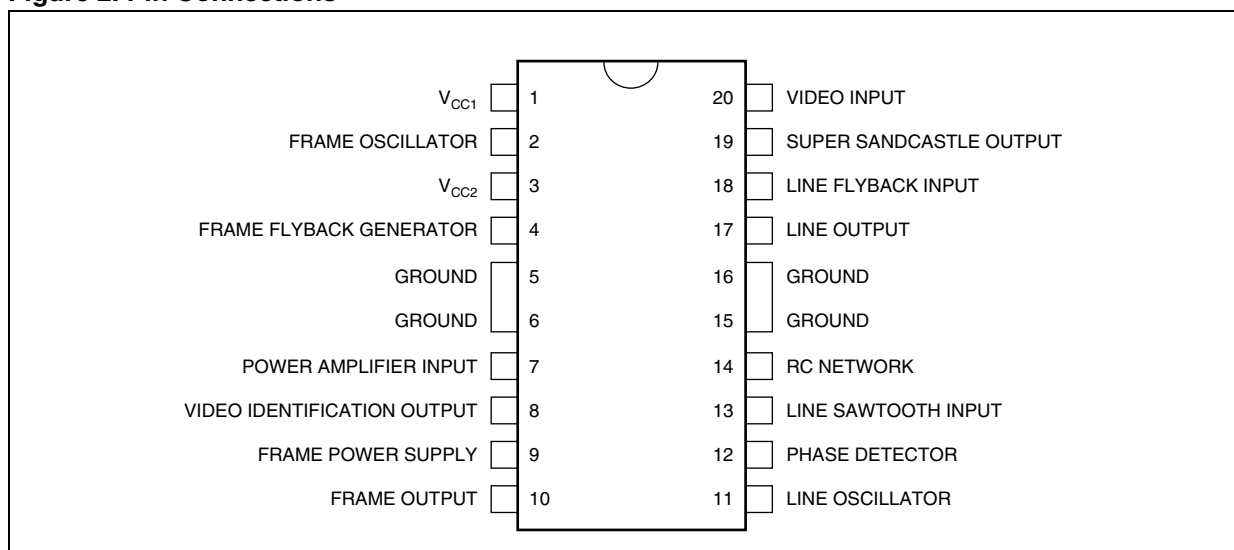


Figure 3. Block Diagram

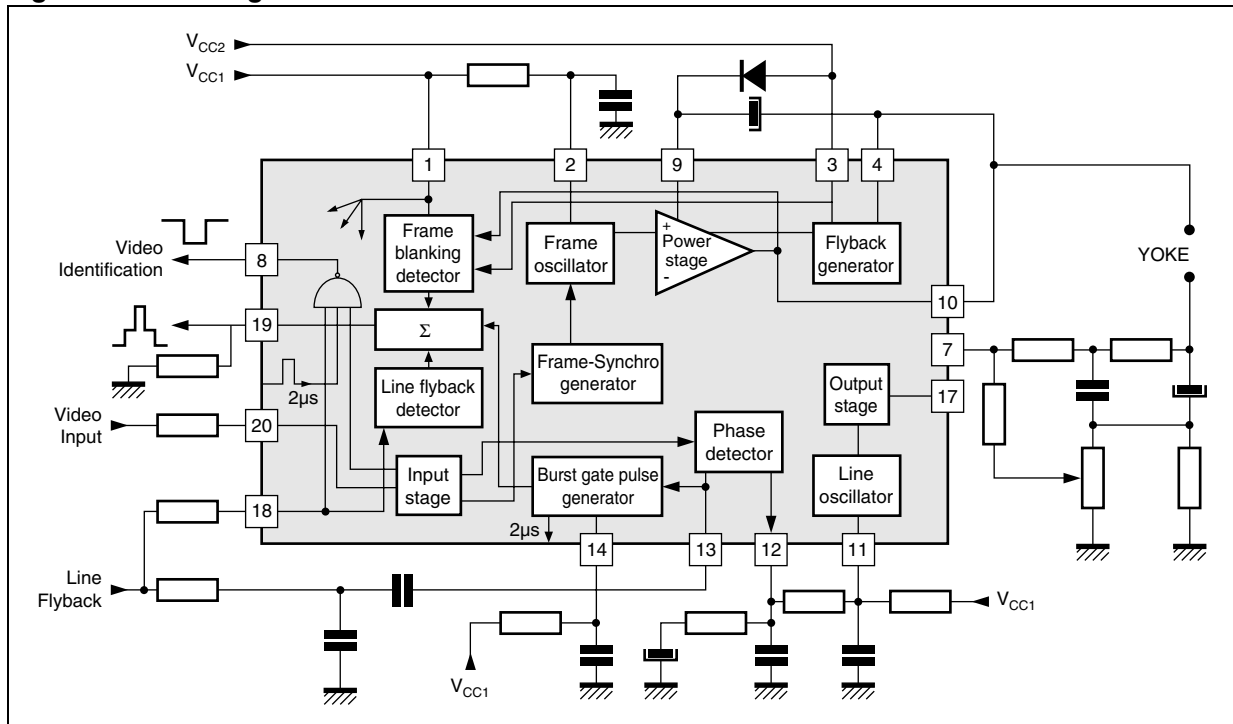


Table 1. Absolute Maximum Ratings

Symbol	Parameter	Value	Unit
V <sub>CC1</sub>	Supply Voltage	30	V
V <sub>CC2</sub>	Flyback Generator Supply Voltage	35	V
V <sub>9</sub>	Frame Power Supply Voltage	60	V
I <sub>10NR</sub>	Frame Output Current (non repetitive)	± 1.5	A
I <sub>10</sub>	Frame Output Current (continuous)	± 1	A
V <sub>17</sub>	Line Output Voltage (external)	60	V
I <sub>p17</sub>	Line Output Peak Current	0.8	A
I <sub>C17</sub>	Line Output Continuous Current	0.4	A
T <sub>STG</sub>	Storage Temperature	-40 to 150	°C
T <sub>J</sub>	Max Operating Junction Temperature	+ 150	°C
T <sub>AMB</sub>	Operating Ambient Temperature	0 to 70	°C

Table 2. Thermal Data

Symbol	Parameter	Value	Unit
R <sub>TH(j-c)</sub>	Max Junction-case Thermal Resistance	10	°C/W
R <sub>TH(j-a)</sub>	Typical Junction-ambient Thermal Resistance (Soldered on a 35μm thick 45cm <sup>2</sup> PC Board copper area)	40	°C/W
T <sub>J</sub>	Max Recommended Junction Temperature	120	°C

**ELECTRICAL CHARACTERISTICS** $V_{CC1} = 10V$ ,  $T_{AMB} = 25^{\circ}C$  (unless otherwise specified)**Table 3. Supply (Pin 1)**

Symbol	Parameter	Min.	Typ.	Max.	Unit
$I_{CC1}$	Supply Current		15		mA
$V_{CC1}$	Supply Voltage	9	10	10.5	V

**Table 4. Video Input (Pin 20)**

Symbol	Parameter	Min.	Typ.	Max.	Unit
V20	Reference Voltage ( $I_{20} = -1\mu A$ )	1.4	1.75	2	V
MWF	Minimum Width of Frame Pulse (When synchronized with TTL signal)	50			$\mu s$

**Table 5. Line Oscillator (Pin 11)**

Symbol	Parameter	Min.	Typ.	Max.	Unit
LT11	Low Threshold Voltage	2.8	3.2	3.6	V
HT11	High Threshold Voltage	5.4	6.6	7.8	V
BI11	Bias Current		100		nA
DR11	Discharge Impedance	1.0	1.4	1.8	k $\Omega$
FLP1	Free Running Line Period ( $R = 34.9k\Omega$ Tied to $V_{CC1}$ , $C = 2.2nF$ Tied to Ground)	62	64	66	$\mu s$
FLP2	Free Running Line Period ( $R = 13.7k\Omega$ , $C = 2.2nF$ )		27		$\mu s$
OT11	Oscillator Threshold for Line Output Pulse Triggering		4.6		V
$\frac{\Delta F}{\Delta \theta}$	Horizontal Frequency Drift with Temperature (see application)		2		Hz/ $^{\circ}C$

**Table 6. Line Output (Pin 17)**

Symbol	Parameter	Min.	Typ.	Max.	Unit
LV17	Saturation Voltage ( $I_{17} = 800mA$ during $2\mu s$ )		2.2		V
OPW	Output Pulse width (line period = $64\mu s$ , negative pulse)	19	21	23	$\mu s$

**Table 7. Line Sawtooth Input (Pin 13)**

Symbol	Parameter	Min.	Typ.	Max.	Unit
V13	Bias Voltage	1.8	2.4	3.2	V
Z13	Input Impedance	4.5	5.8	8	k $\Omega$

**Table 8. Phase Detector (Pin 12)**

Symbol	Parameter	Min.	Typ.	Max.	Unit
I12	Output Current During Synchro Pulse	250	350	500	μA
RI12	Current Ratio (positive/negative)	0.95	1	1.05	
LI12	Leakage Current	-2		+2	μA
CV12	Control Voltage Range	2.60		7.10	V

**Table 9. Video Identification (Pin 8)**

Symbol	Parameter	Min.	Typ.	Max.	Unit
Low Level Output when the line synchro tip is centered in the line retrace					
V <sub>H8</sub>	Without Video Signal (I <sub>B</sub> = -500μA)	4.5	6.3	0.9	V
V <sub>L8</sub>	With Video Signal (I <sub>B</sub> = 50μA)		0.6	0.9	V

**Table 10. Frame Oscillator (Pin 2)**

Symbol	Parameter	Min.	Typ.	Max.	Unit
LT2	Low Threshold Voltage	1.6	2.0	2.3	V
HT2	High Threshold Voltage	2.6	3.1	3.6	V
DIF2	LT2 - HT2		1.0		V
BI2	Bias Current		30		nA
DR2	Discharge Impedance	300	470	700	Ω
FFP1	Free Running Frame Period (R = 845kΩ Tied to V <sub>CC1</sub> , C = 180nF Tied to Ground)	20.5	23	25	ms
MFP	Minimum Frame Period (I <sub>20</sub> = -100μA) with the Same RC		12.8		ms
FFP2	Free Running Frame Period (R = 408kΩ, C = 220nF)		14.3		ms
FPR	Frame Period Ratio = FFP/MFP	1.7	1.8	1.9	
FG	Frame Saw-tooth Gain Between Pin 1 and non Inverting Input of the Frame Amplifier		-0.4		
$\frac{\Delta F}{\Delta \theta}$	Vertical Frequency Drift with Temperature (see application)		4.10 <sup>-3</sup>		Hz/°C

**Table 11. Frame Power Supply (Pin 9)**

Symbol	Parameter	Min.	Typ.	Max.	Unit
V9	Operating Voltage (with flyback Generator)	10		58	V
I9	Supply Current (V9 = 30V)		11	22	mA

**Table 12. Flyback Generator Supply (Pin 3)**

Symbol	Parameter	Min.	Typ.	Max.	Unit
V <sub>CC2</sub>	Operating Voltage	10		30	V

**Table 13. Frame Output (Pin 10)**

Symbol	Parameter	Min.	Typ.	Max.	Unit
Saturation Voltage to Ground ( $V_9 = 30V$ )					
LV10A	$I_{10} = 0.1A$		0.06	0.6	V
LV10B	$I_{10} = 1A$		0.37	1	V
Saturation Voltage to $V_9$ ( $V_9 = 30V$ )					
HV10A	$I_{10} = -0.1A$		1.3	1.6	V
HV10B	$I_{10} = -1A$		1.7	2.4	V
Saturation Voltage to $V_9$ in Flyback Mode ( $V_{10} > V_9$ )					
FV10A	$I_{10} = 0.1A$		1.6	2.1	V
FV10B	$I_{10} = 1A$		2.5	4.5	V

**Table 14. Flyback Generator (Pin 3 and Pin 4)**

Symbol	Parameter	Min.	Typ.	Max.	Unit
Flyback Transistor on (output = high state), $V_{CC2} = 30V$ , $V_{4/3}$ with					
F2DA	$I_{4 \rightarrow 3} = 0.1A$		1.5	2.1	V
F2DB	$I_{4 \rightarrow 3} = 1A$		3.0	4.5	V
Flyback Transistor on (output = high state), $V_{CC2} = 30V$ , $V_{3/4}$ with					
FSVA	$I_{3 \rightarrow 4} = 0.1A$		0.8	1.1	V
FSVB	$I_{3 \rightarrow 4} = 1A$		2.2	4.5	V
Flyback Transistor off (output = $V_9 - 8V$ ), $V_9 - V_{CC2} = 30V$					
FCI	Leakage Current Pin 3			170	$\mu A$

**Table 15. Super Sandcastle Output (Pin 19)**

Symbol	Parameter	Min.	Typ.	Max.	Unit
Output Voltages (R load = $2.2k\Omega$ )					
SANDT2	Frame blanking pulse level	2	2.5	3	V
SANDL2	Line blanking pulse level	4	4.5	5	V
BG2	Burst key pulse level	8	9		V
Pulses width and timing					
SC3	Delay between middle of sync pulse and leading edge of burst key pulse	2.3	2.7	3.1	$\mu s$
SC2	Duration of burst key pulse Vertical blanking pulse width	3.7	4 Note 1	5	$\mu s$

Note: 1. Width of vertical blanking pulse on SSC output is proportional to the frame flyback time, the switching level is  $V_{CC2} - 2V_{BE}$  and the other input of the comparator is tied to the frame amplifier output. Application circuit uses the frame flyback generator.

**Table 16. Line Flyback Input (Pin 18)**

Symbol	Parameter	Min.	Typ.	Max.	Unit
	Switching level		2		V
	Maximum input current at $V_{PEAK} = 800V$		8		mA
	Limiting voltage at maximum current		4.3		V
$\tau$	RC network time constant (Note 1)		6		$\mu s$

Note: 1. An RC network is connected to this input. Typical value for the resistor is 27k $\Omega$  and 220pF for the capacitor. A different time constant for RC changes the delay between the middle of the line synchro pulse and the leading edge of the burst key pulse but also the duration of the burst key pulse.

**GENERAL DESCRIPTION**

The TDA8215B performs all the video and power functions required to provide signals for the line driver and frame yoke.

It contains:

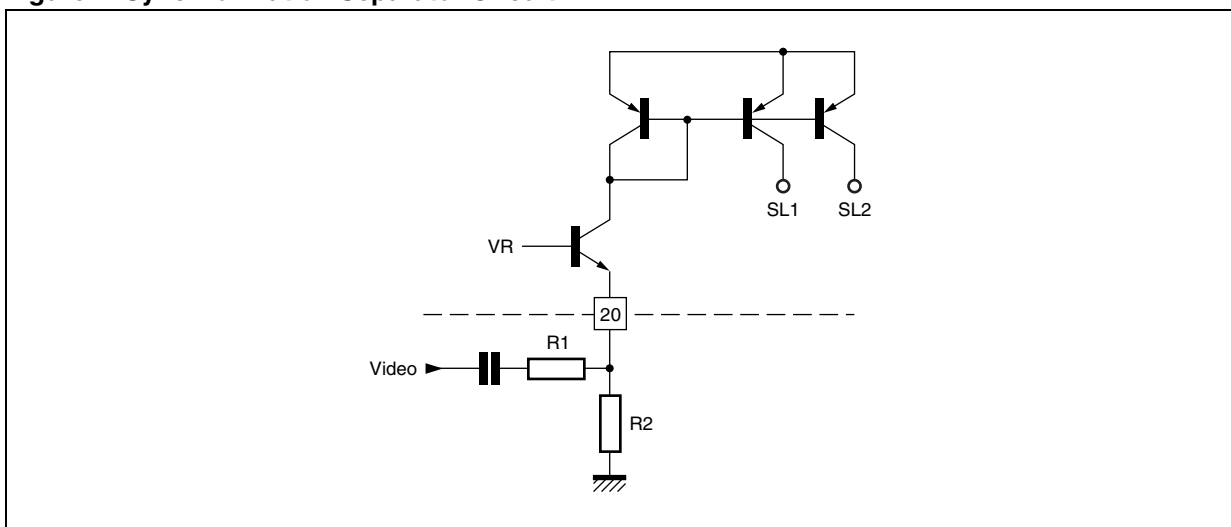
- A synchronization separator
- An integrated frame separator without external components
- A saw-tooth generator for the frame
- A power amplifier for direct drive of frame yoke (short circuit protected)
- An open collector output for the line darlington drive

- A line phase detector and a voltage control oscillator
- A super sandcastle generator
- Video identification output.

The slice level of sync-separation is fixed by value of the external resistors R1 and R2. VR is an internally fixed voltage.

The sync-pulse allows the discharge of the capacitor by a  $2 \times I$  current. A line sync-pulse is not able to discharge the capacitor under  $V_Z/2$ . A frame sync-pulse permits the complete discharge of the capacitor, so during the frame sync-pulse Q<sub>3</sub> and Q<sub>4</sub> provide current for the other parts of the circuit.

**Figure 4. Synchronization Separator Circuit**



**Figure 5. Frame Separator**

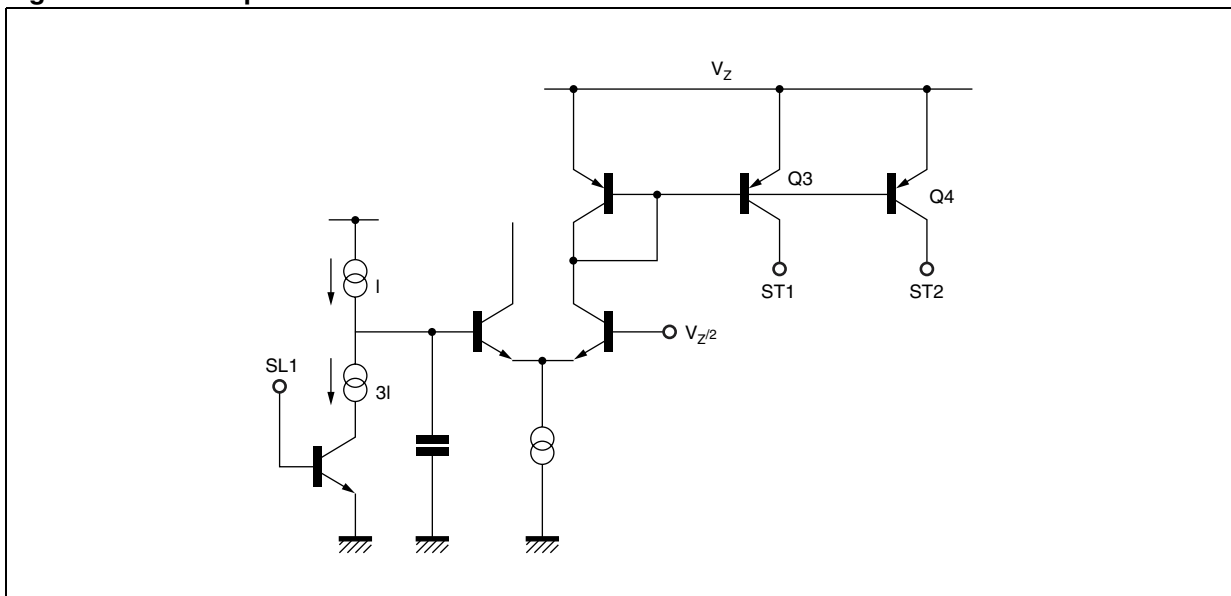
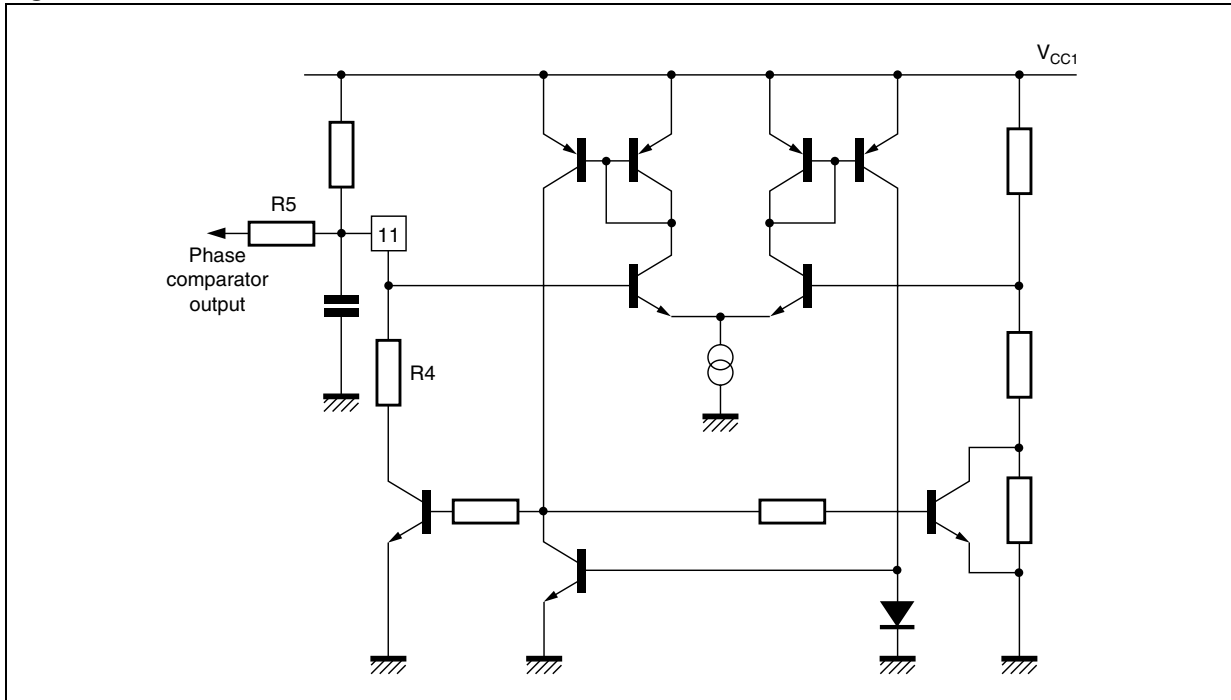


Figure 6. Line Oscillator



The oscillator thresholds are internally fixed by resistors. The discharge of the capacitor depends on the internal resistor R4. The control voltage is applied on resistor R5. The sync-pulse drives the current in the comparator. The line flyback integrated by the external net work gives on pin 13 a saw tooth, the DC offset of this saw tooth is fixed by VC. The comparator output provides a positive current for the part of the signal on pin 13 greater than to VC and a negative current for the other part. When the line flyback and the video signal are synchronized, the output of the comparator is an alternatively negative and positive current. The frame sync-pulse inhibits the comparator to prevent frequency drift of the line oscillator on the frame beginning.

Figure 7. Phase Comparator

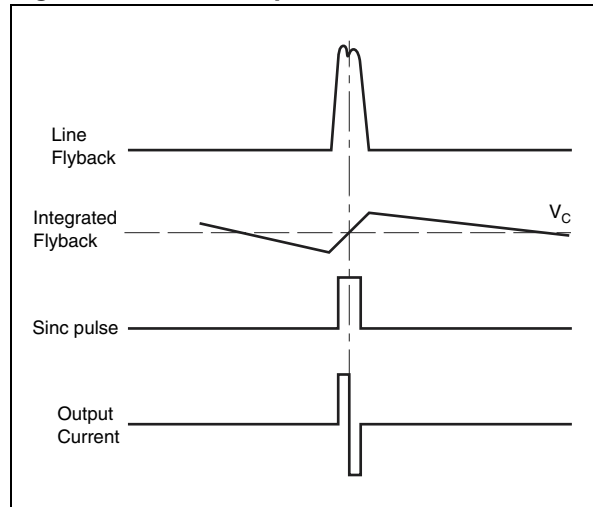
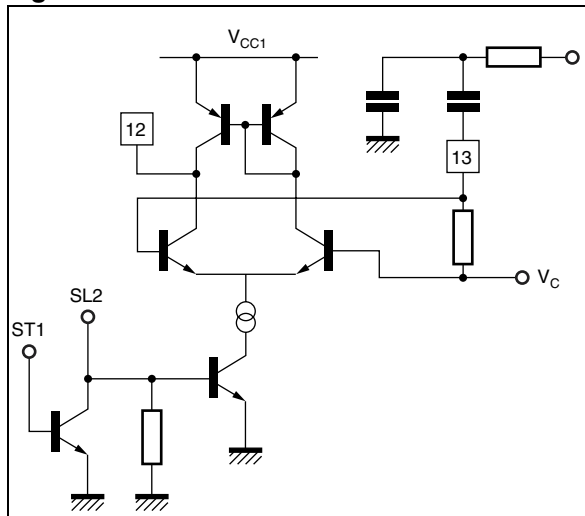




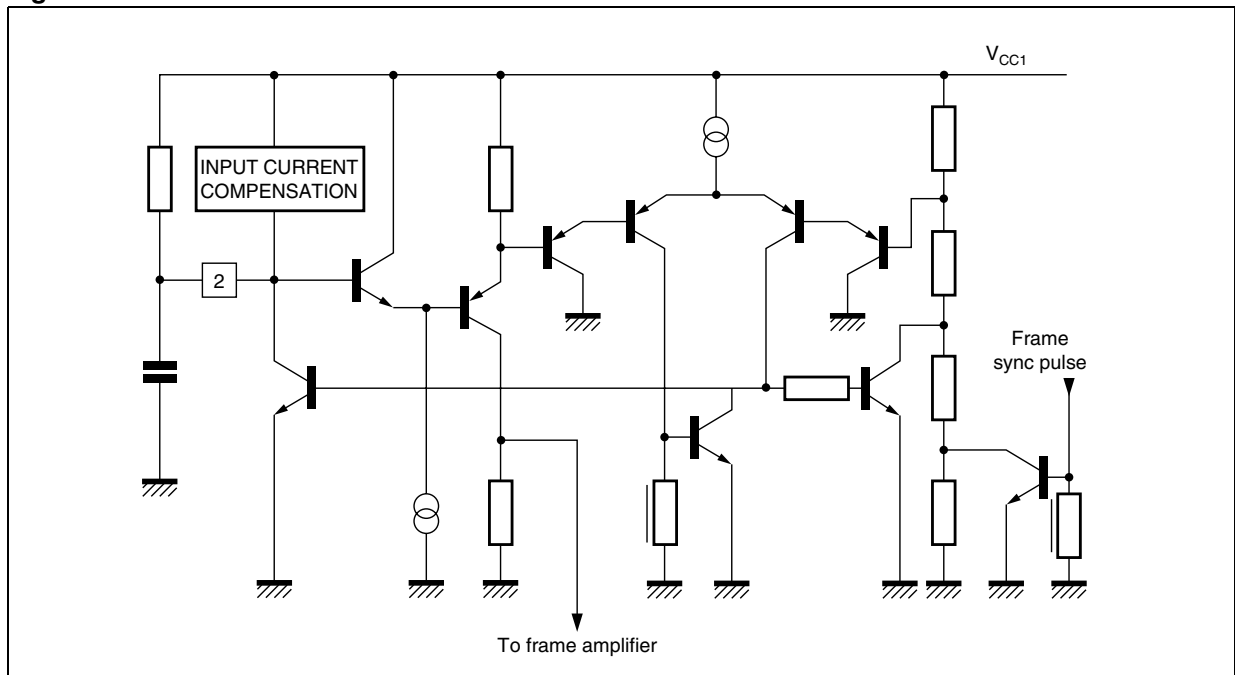
Figure 8.

**Line output (Pin 17)**

It is an open-collector output. The output negative pulse time is  $22\mu\text{s}$  for a  $64\mu\text{s}$  period.

The oscillator thresholds are internally fixed by resistors. The oscillator is synchronized during the last half free run period. The input current during the charge of the capacitor is less than  $100\text{nA}$ .

Figure 9. Frame Oscillator

**Frame output amplifier**

This amplifier is able to drive directly the frame yoke. Its output is short circuit and overload protected; it contains also a thermal protection.

The frame blanking is detected by the frame flyback generator. When the output voltage of the frame amplifier exceeds  $V_{CC2} - 2V_{BE}$ , the pulse is detected. The line flyback detection is provided by a comparator which compares the input line flyback pulse to an internal reference. The burst gate pulse position is fixed by the external RC network

(Pin 14). It is referenced to the middle of the line flyback.

This stage will detect the coincidence between the line sync pulse (if present) and a  $2\mu\text{s}$  sampling pulse. This  $2\mu\text{s}$  pulse is positioned at the center of line sync pulse when the phase loop is locked. This sampled detection is stored by an external capacitor Pin 8.

The identification output level is high when video signal is present.

Important remark: minimum saw-tooth amplitude on Pin 13 has to be  $2V_{PP}$  (typ.:  $2.5V_{PP}$ ).

Figure 10. Super Sandcastle Generator

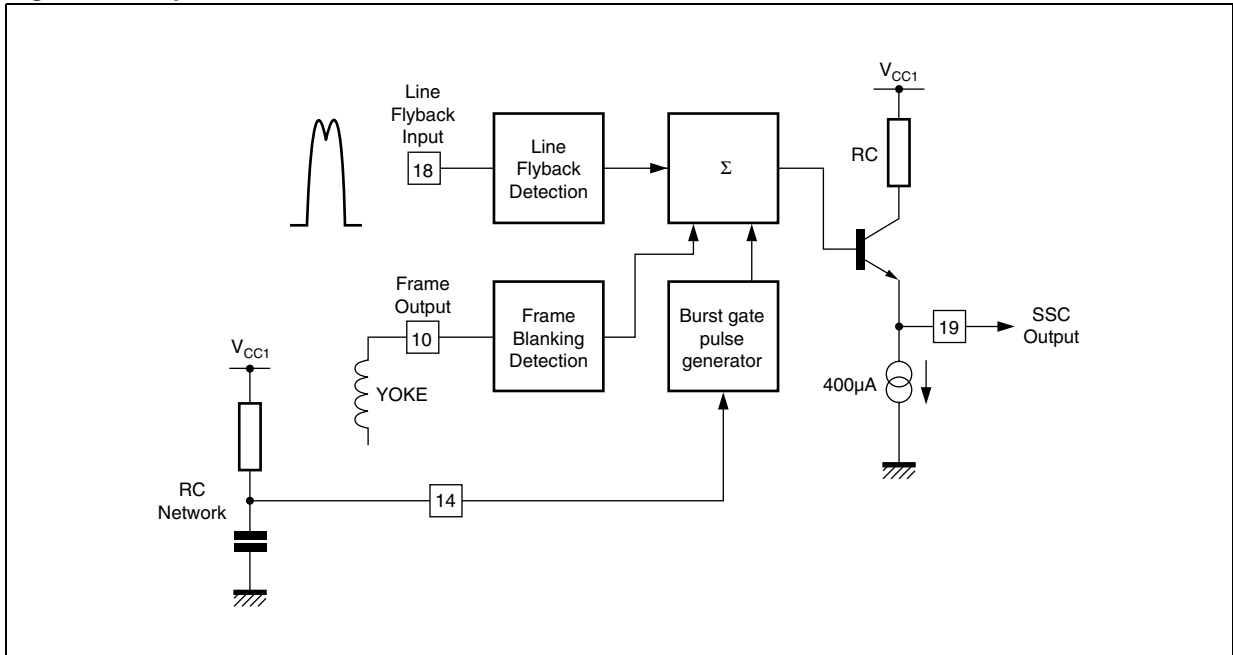
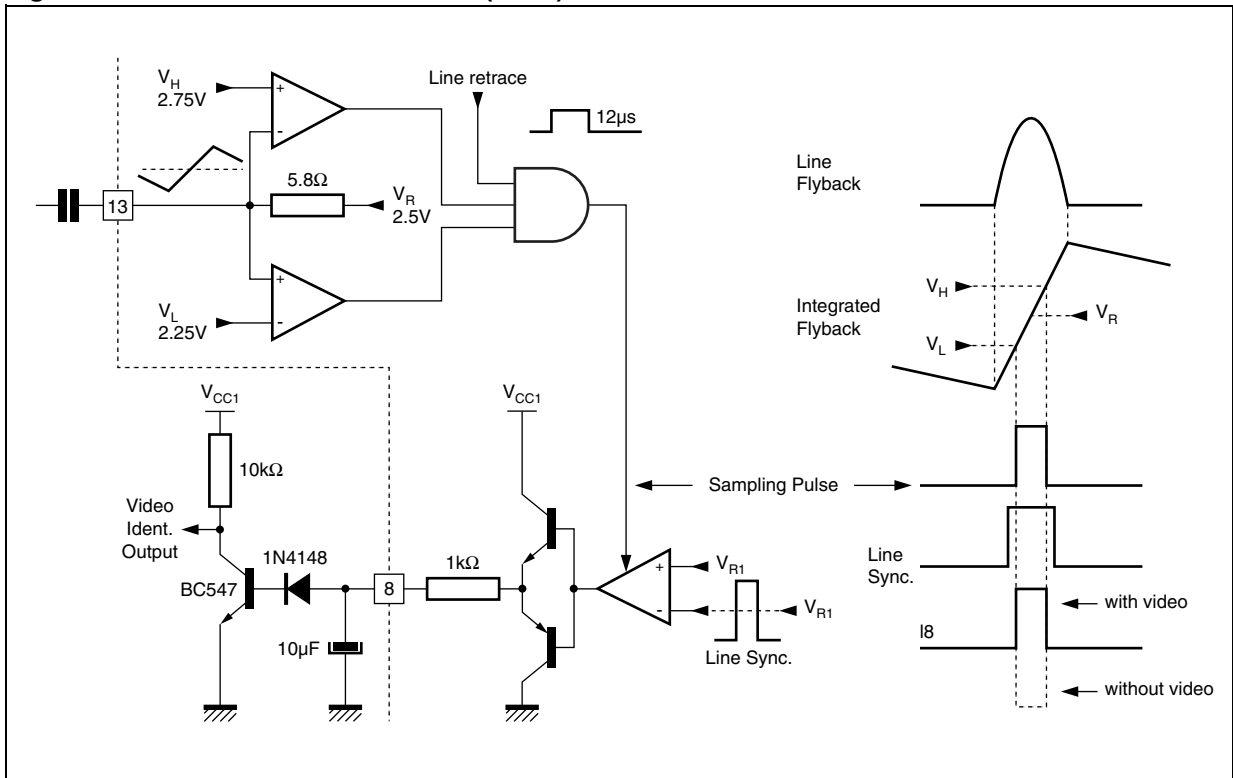


Figure 11. Video Identification Circuit (Pin 8)





## TDA8215B

---

### PART NUMBERING

**Table 17. Order Codes**

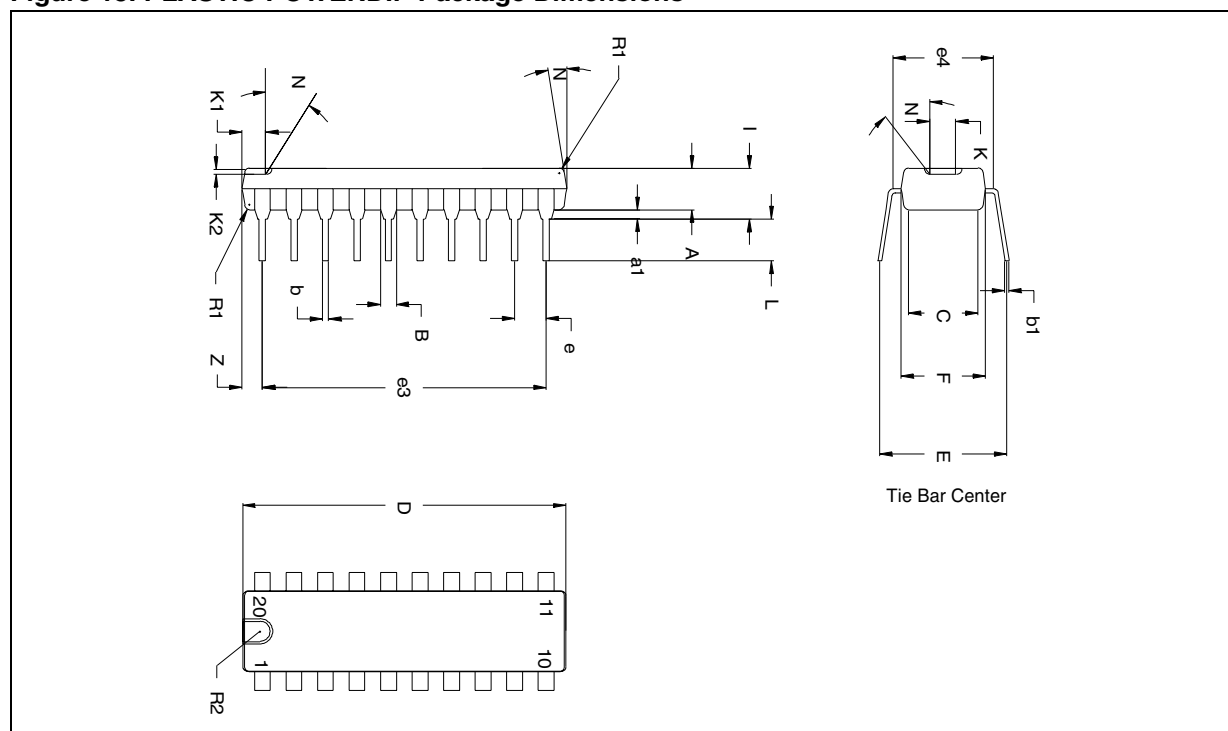
Part Number	Package	Temperature Range
TDA8215B	PDIP20	-0 to 70 °C

## PACKAGE MECHANICAL

Table 18. PLASTIC POWERDIP Mechanical Data

Symbol	millimeters			inches		
	Min	Typ	Max	Min	Typ	Max
a1	0.51			0.020		
B	0.85		1.4	0.033		0.055
b		0.5			0.020	
b1	0.38		0.5	0.015		0.020
D			24.8			0.976
E		8.8			0.346	
e		2.54			0.100	
e3		22.86			0.900	
F			7.1			0.280
i			5.1			0.201
L		3.3			0.130	
Z			1.27			0.050

Figure 13. PLASTIC POWERDIP Package Dimensions



Note: Drawing is not to scale.

**REVISION HISTORY**

**Table 19. Revision History**

<b>Date</b>	<b>Revision</b>	<b>Description of Changes</b>
September-1993	1	First Issue
17-May-2004	2	Stylesheet update. No content change.

Information furnished is believed to be accurate and reliable. However, STMicroelectronics assumes no responsibility for the consequences of use of such information nor for any infringement of patents or other rights of third parties which may result from its use. No license is granted by implication or otherwise under any patent or patent rights of STMicroelectronics. Specifications mentioned in this publication are subject to change without notice. This publication supersedes and replaces all information previously supplied. STMicroelectronics products are not authorized for use as critical components in life support devices or systems without express written approval of STMicroelectronics.

The ST logo is a registered trademark of STMicroelectronics.  
All other names are the property of their respective owners

© 2004 STMicroelectronics - All rights reserved

STMicroelectronics GROUP OF COMPANIES

Australia - Belgium - Brazil - Canada - China - Czech Republic - Finland - France - Germany - Hong Kong - India - Israel - Italy - Japan -  
Malaysia - Malta - Morocco - Singapore - Spain - Sweden - Switzerland - United Kingdom - United States

[www.st.com](http://www.st.com)