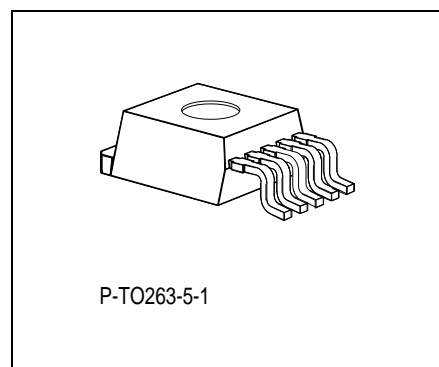
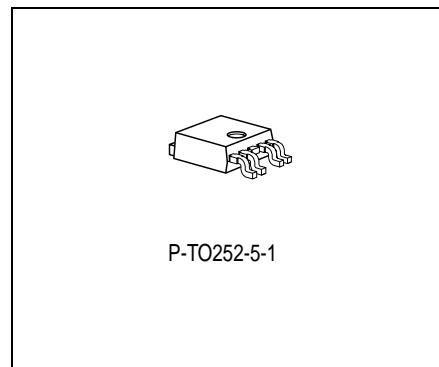


Features

- Output tracking tolerance $\leq \pm 0.2\%$
- 400 mA output current capability
- Enable Function
- Very low current consumption in OFF mode
- Wide operation range: up to 40 V
- Wide temperature range: $-40\text{ }^{\circ}\text{C} \leq T_j \leq 150\text{ }^{\circ}\text{C}$
- Output protected against short circuit
- Overtemperature protection
- Reverse polarity proof

Type	Ordering Code	Package
TLE 4251 D	Q67006-A9439	P-TO252-5-1
TLE 4251 G	Q67006-A9529	P-TO263-5-1



Functional Description

The **TLE 4251** is a monolithic integrated low-drop voltage tracker in the very small SMD package P-TO252-5-1. It is designed to supply e.g. sensors under the severe conditions of automotive applications. Therefore the device is equipped with additional protection functions against over load, short circuit and reverse polarity.

Supply voltages up to 40 V are tracked to a reference voltage given to the adjust input via an external resistor.

The output is able to drive loads up to 400 mA while it follows e.g. the 5 V output of a main voltage regulator within an accuracy of 0.5%. For loads up to 300 mA the tracking accuracy is 0.2%.

The **TLE 4251** can be switched in stand-by mode via the enable EN input which causes the current consumption to drop to very low values. This feature makes the IC suitable for low power battery applications.

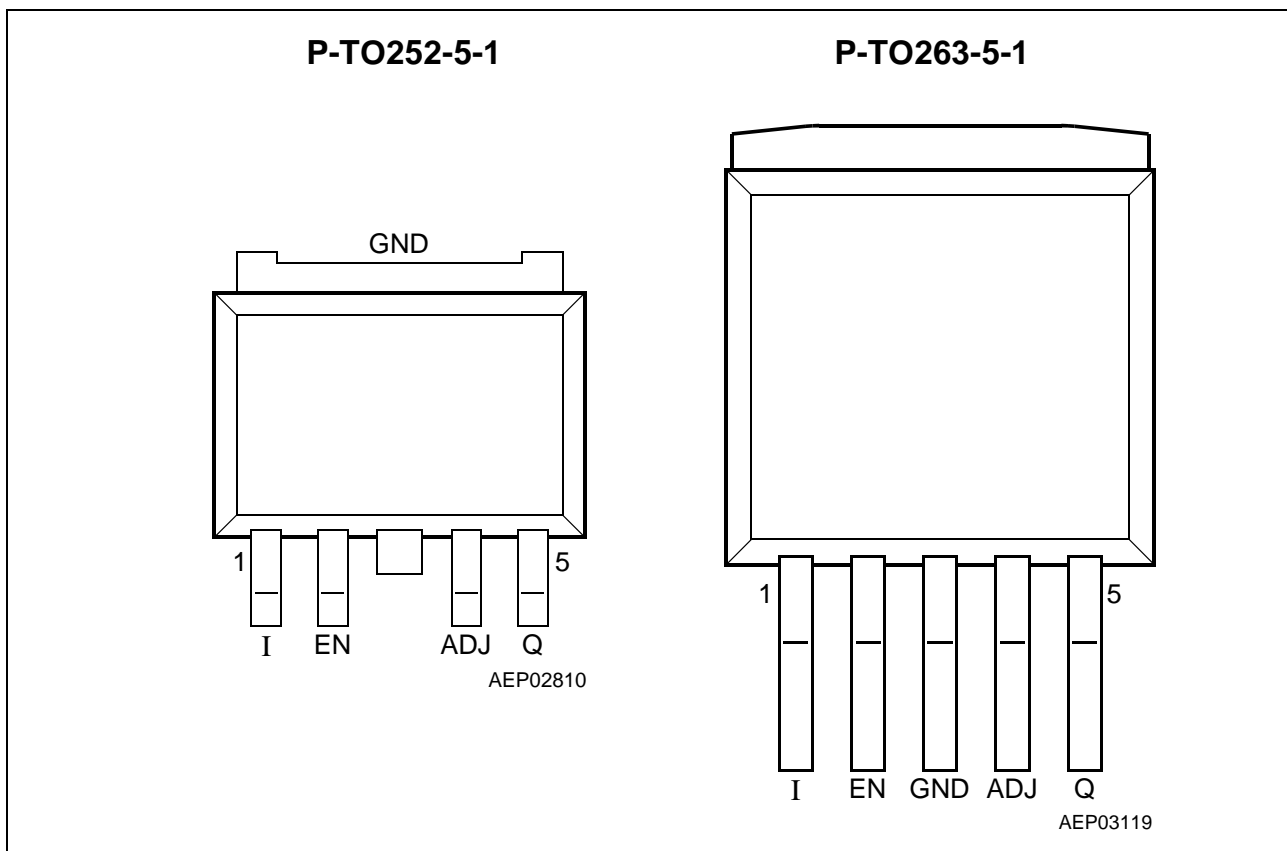


Figure 1 Pin Configuration (top view)

Pin No.	Symbol	Function
1	I	Input voltage
2	EN	Enable , high-active input
3	GND	Ground
4	ADJ	Adjust ; connect to the reference voltage via ext. resistor or micro-controller port
5	Q	Output voltage ; must be blocked by a capacitor $C_Q \geq 22 \mu\text{F}$, $\text{ESR} \leq 3 \Omega$ to GND

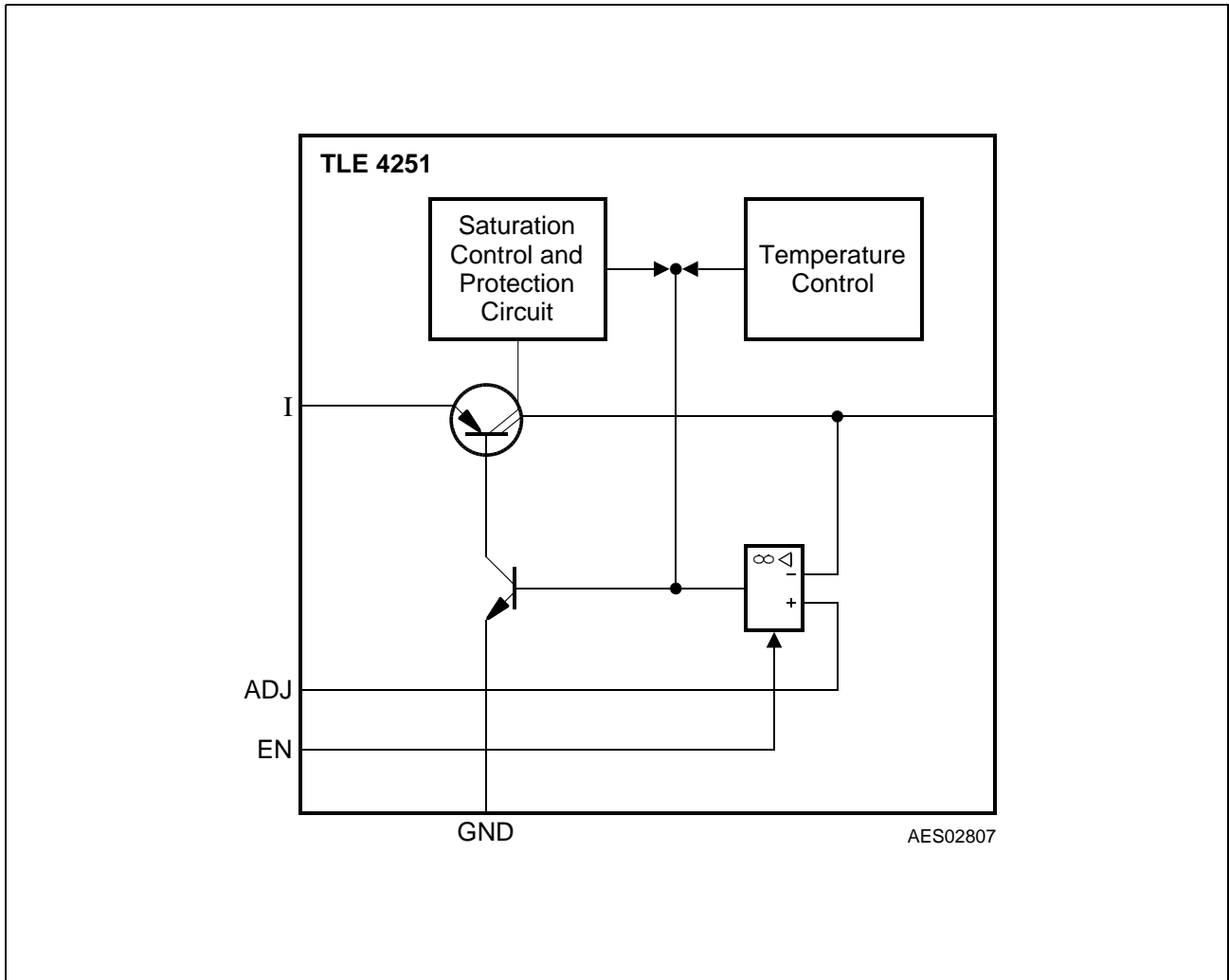


Figure 2 **Block Diagram**

Absolute Maximum Ratings
 $-40\text{ }^{\circ}\text{C} < T_j < 150\text{ }^{\circ}\text{C}$

Parameter	Symbol	Limit Values		Unit	Remarks
		min.	max.		

Input

Voltage	V_I	- 42	45	V	-
Current	I_I	-	-	mA	internally limited

Output

Voltage	V_Q	- 2	45	V	-
Current	I_Q	-	-	mA	internally limited

Adjust

Voltage	V_{ADJ}	- 42	45	V	-
Current	I_{ADJ}	-	-	μA	internally limited

Enable

Voltage	V_{EN}	- 42	45	V	-
Current	I_{EN}	-	-	μA	internally limited

Temperatures

Junction temperature	T_j	- 40	150	$^{\circ}\text{C}$	-
Storage temperature	T_{stg}	- 50	150	$^{\circ}\text{C}$	-

Thermal Resistances

Junction case	R_{thjc}	-	4	K/W	TLE 4251 D
Junction ambient	R_{thja}	-	78	K/W	TLE 4251 D ¹⁾
Junction case	R_{thjc}	-	3	K/W	TLE 4251 G
Junction ambient	R_{thja}	-	52	K/W	TLE 4251 G ¹⁾

¹⁾ Worst case, regarding peak temperature; zero airflow; mounted on a PCB $80 \times 80 \times 1.5\text{ mm}^3$, heat sink area 300 mm^2 .

Note: Maximum ratings are absolute ratings; exceeding any one of these values may cause irreversible damage to the integrated circuit.

Operating Range

Parameter	Symbol	Limit Values		Unit	Remarks
		min.	max.		
Input voltage	V_I	4 ¹⁾	40	V	–
Adjust input voltage	V_{ADJ}	2.5	40	V	–
Adjust input voltage	V_{ADJ}	0	2.5	V	$V_Q \leq V_{ADJ} + \Delta V_Q$
Enable input voltage	V_{EN}	0	40	V	–
Junction temperature	T_j	– 40	150	°C	–

1) $V_I > V_{ADJ} + V_{DR}$

Electrical Characteristics

$V_I = 13.5 \text{ V}$; $2.5 \text{ V} \leq V_{ADJ} \leq V_I - 0.5 \text{ V}$; $-40 \text{ °C} < T_j < 150 \text{ °C}$; unless otherwise specified

Parameter	Symbol	Limit Values			Unit	Test Condition
		min.	typ.	max.		

Output

Output voltage tracking accuracy $\Delta V_Q = V_{ADJ} - V_Q$	ΔV_Q	– 10	–	10	mV	$V_I < 13.5 \text{ V}$; $-40 \text{ °C} < T_j < 125 \text{ °C}$; $1 \text{ mA} < I_Q < 300 \text{ mA}$
Output voltage tracking accuracy	ΔV_Q	– 10	–	10	mV	$6 \text{ V} < V_I < 40 \text{ V}$ $5 \text{ mA} < I_Q < 200 \text{ mA}$
Output voltage tracking accuracy	ΔV_Q	– 25	–	25	mV	$6 \text{ V} < V_I < 28 \text{ V}$ $1 \text{ mA} < I_Q < 300 \text{ mA}$
Drop voltage	V_{dr}	–	280	520	mV	$I_Q = 300 \text{ mA}$; $V_{ADJ} > 4 \text{ V}$; Enable ON; ¹⁾
Output current	I_Q	400	450	800	mA	$T_j \leq 125 \text{ °C}$ ¹⁾
Output capacitor	C_Q	22	–	–	μF	$ESR \leq 3 \text{ } \Omega$ at 10 kHz
Current consumption $I_q = I_I - I_Q$	I_q	–	10	20	mA	$I_Q = 300 \text{ mA}$
Current consumption $I_q = I_I - I_Q$	I_q	–	230	300	μA	$I_Q < 1 \text{ mA}$ $T_j < 85 \text{ °C}$ V_{EN} in ON state

Electrical Characteristics (cont'd)
 $V_I = 13.5 \text{ V}; 2.5 \text{ V} \leq V_{ADJ} \leq V_I - 0.5 \text{ V}; -40 \text{ }^\circ\text{C} < T_j < 150 \text{ }^\circ\text{C};$ unless otherwise specified

Parameter	Symbol	Limit Values			Unit	Test Condition
		min.	typ.	max.		
Quiescent current (stand-by) $I_q = I_I - I_Q$	I_q	–	0	10	μA	$V_{EN} = 0 \text{ V}$ $T_j < 85 \text{ }^\circ\text{C}$

Regulator Performance

Load regulation	ΔV_Q	– 35	± 5	35	mV	$5 \text{ mA} < I_Q < 300 \text{ mA};$ $V_I = 6 \text{ V}, V_{ADJ} = 5 \text{ V}$
Line regulation	ΔV_Q	– 25	± 10	25	mV	$12 \text{ V} < V_I < 32 \text{ V}$ $I_Q = 5 \text{ mA}$
Power-Supply-Ripple-Rejection	$PSRR$	60	–	–	dB	$f_r = 100 \text{ Hz};$ $V_r = 5 \text{ V}_{PP}$

Adjust Input

Input biasing current	I_{ADJ}	–	0.1	0.5	μA	$V_{ADJ} = 5 \text{ V}$
-----------------------	-----------	---	-----	-----	---------------	-------------------------

Enable

Enable on voltage range	$V_{EN ON}$	2	–	–	V	$V_Q ON$
Enable off voltage range	$V_{EN OFF}$	–	–	0.5	V	$V_Q \leq 0.1 \text{ V}$
Input current	I_{EN}	5	40	70	μA	$V_{EN} = 5 \text{ V}$

¹⁾ Measured when the output voltage V_Q has dropped 100 mV from the nominal value.

Application Information

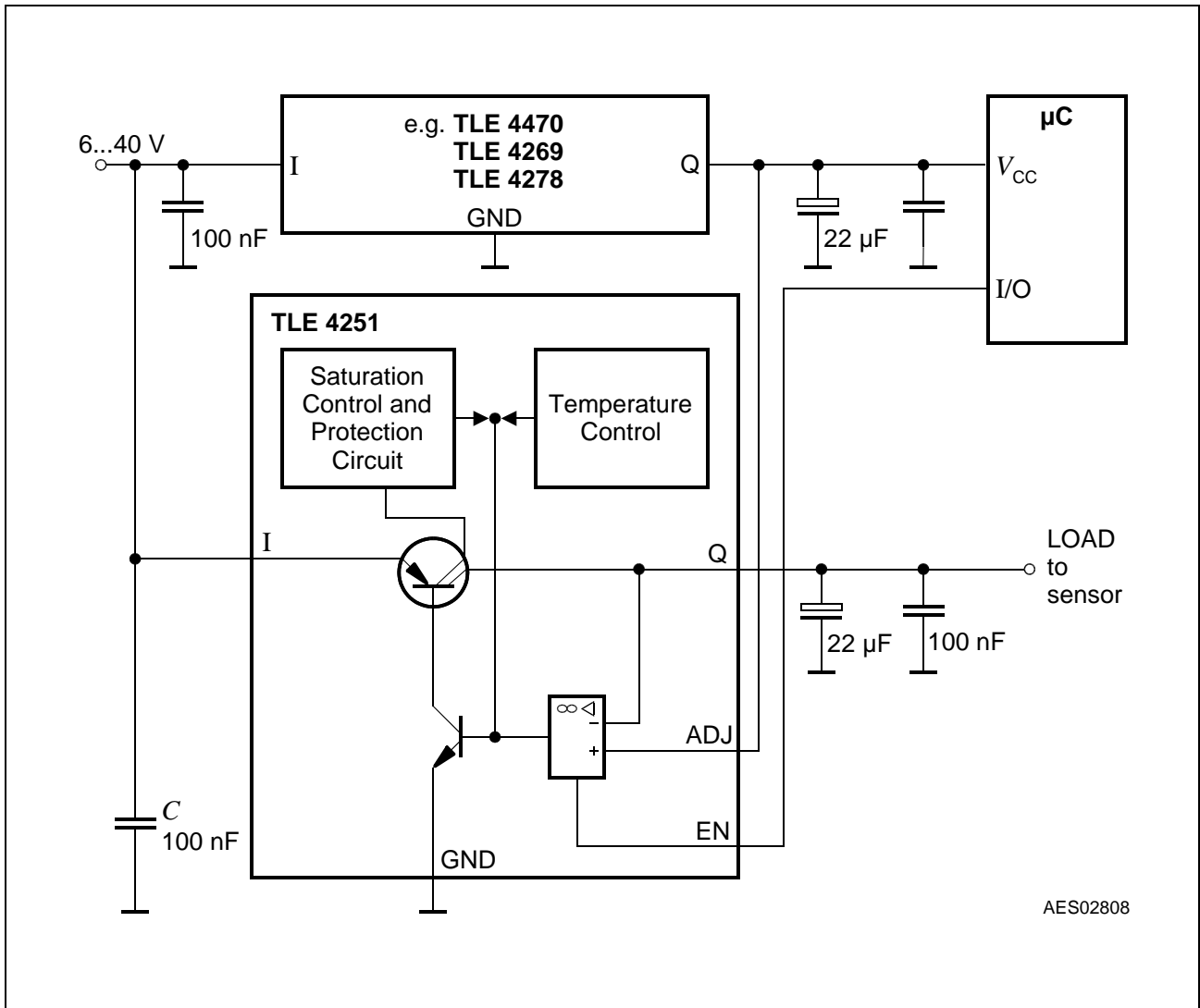
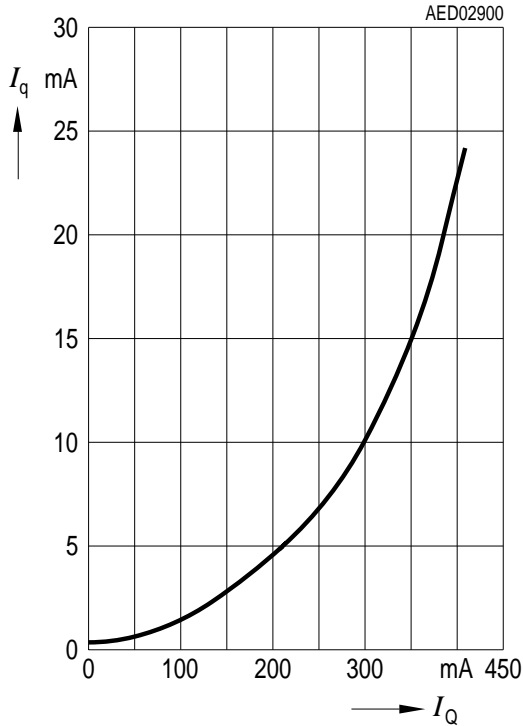
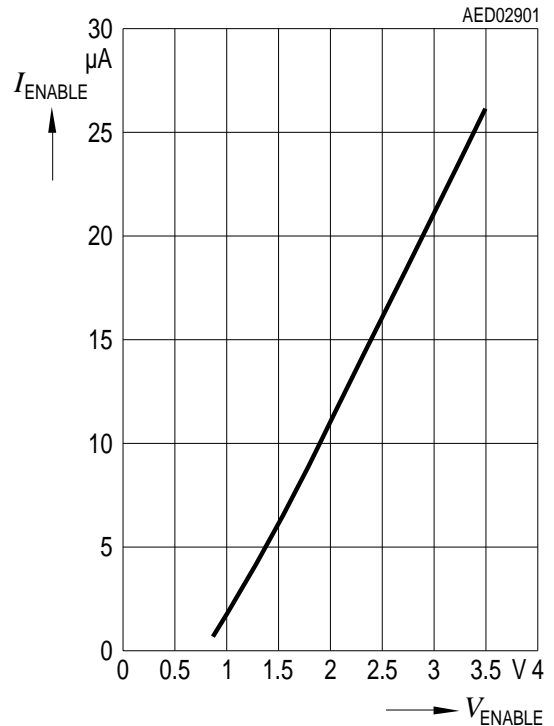


Figure 3 Application Circuit

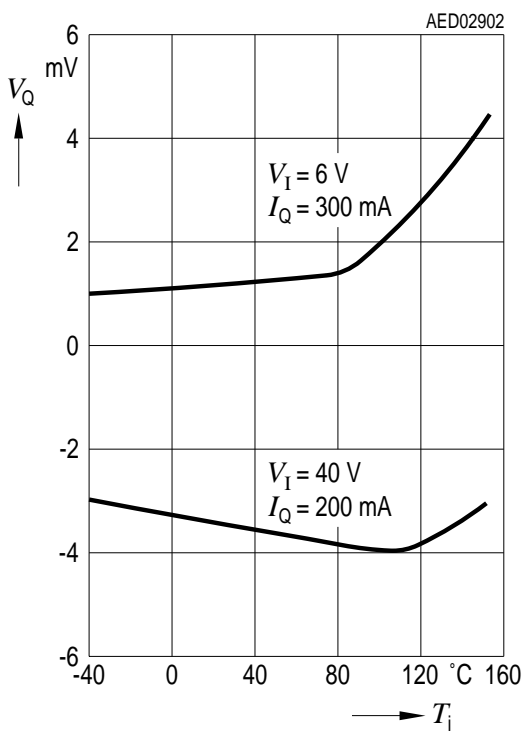
Quiescent Current I_q versus Output Current I_Q



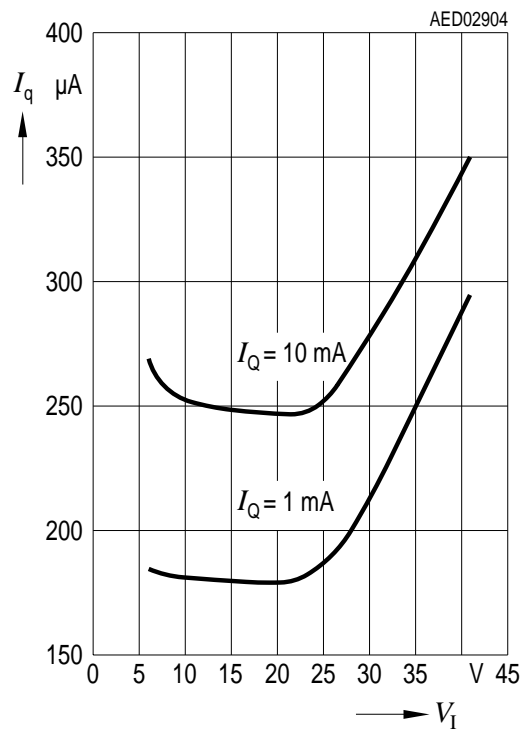
Enable Current I_{EN} versus Enable Voltage V_{EN}



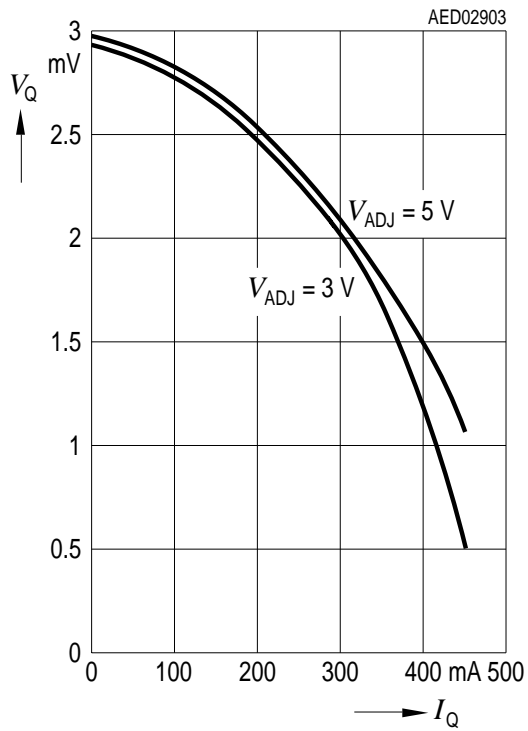
Tracking Accuracy ΔV_Q versus Temperature T_j , $V_{ADJ} = 5 V$



Current Consumption I_q versus Input Voltage V_I , $V_{ADJ} = 5 V$

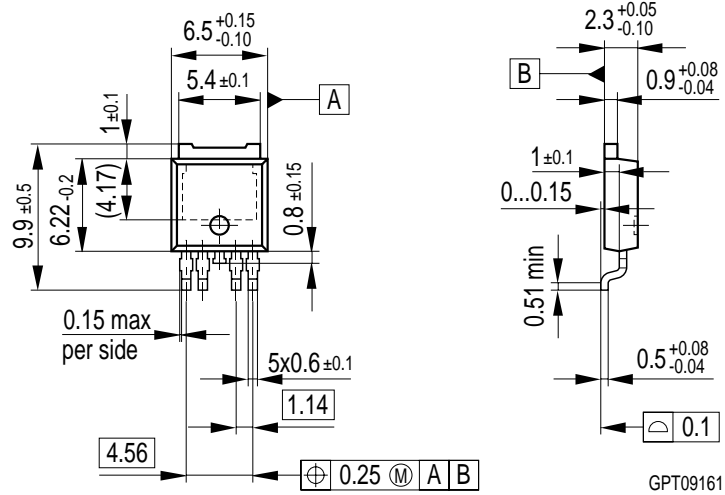


Tracking Accuracy ΔV_Q versus Output Current I_Q



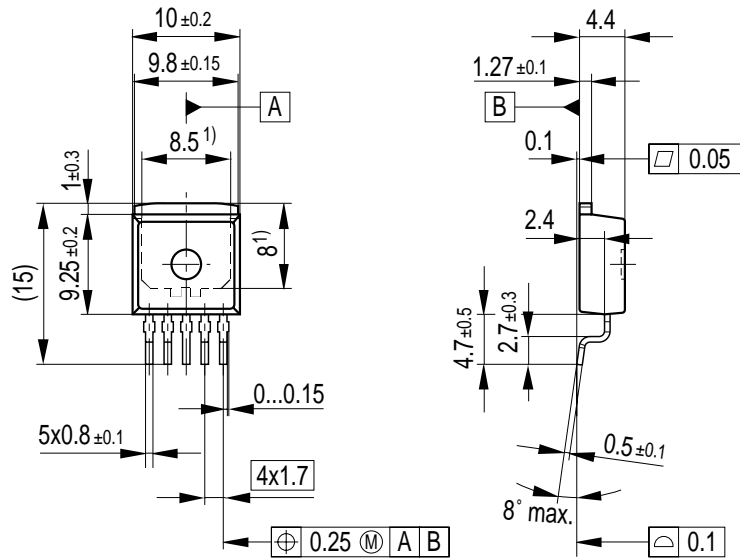
Package Outlines

P-TO252-5-1
(Plastic Transistor Single Outline)



All metal surfaces tin plated, except area of cut.

P-TO263-5-1
(Plastic Transistor Single Outline)



1) Typical
All metal surfaces tin plated, except area of cut.

GPT09113

Sorts of Packing

Package outlines for tubes, trays etc. are contained in our Data Book "Package Information".

SMD = Surface Mounted Device

Dimensions in mm

Edition 2001-05-07

**Published by Infineon Technologies AG,
St.-Martin-Strasse 53,
D-81541 München**

**© Infineon Technologies AG 2001.
All Rights Reserved.**

Attention please!

The information herein is given to describe certain components and shall not be considered as warranted characteristics.

Terms of delivery and rights to technical change reserved.

We hereby disclaim any and all warranties, including but not limited to warranties of non-infringement, regarding circuits, descriptions and charts stated herein.

Infineon Technologies is an approved CECC manufacturer.

Information

For further information on technology, delivery terms and conditions and prices please contact your nearest Infineon Technologies Office in Germany or our Infineon Technologies Representatives worldwide (see address list).

Warnings

Due to technical requirements components may contain dangerous substances. For information on the types in question please contact your nearest Infineon Technologies Office.

Infineon Technologies Components may only be used in life-support devices or systems with the express written approval of Infineon Technologies, if a failure of such components can reasonably be expected to cause the failure of that life-support device or system, or to affect the safety or effectiveness of that device or system. Life support devices or systems are intended to be implanted in the human body, or to support and/or maintain and sustain and/or protect human life. If they fail, it is reasonable to assume that the health of the user or other persons may be endangered.