

L-7113SYC-H SUPERBRIGHT YELLOW

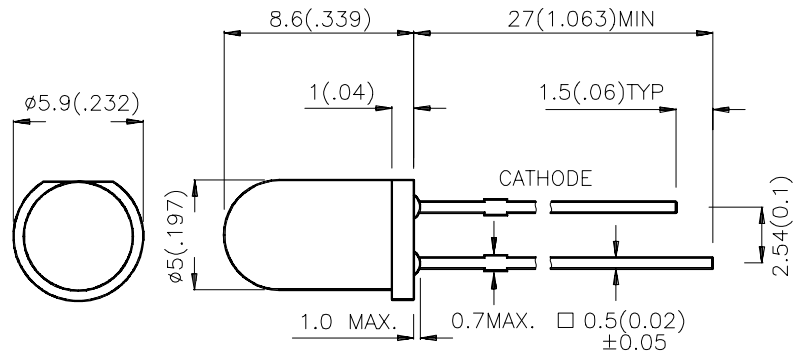
Features

- ULTRABRIGHTNESS.
- WATER CLEAR LENS ARE AVAILABLE.
- OUTSTANDING MATERIAL EFFICIENCY.
- RELIABLE AND RUGGED.
- IC COMPATIBLE/LOW CURRENT CAPABILITY.

Description

Super Bright Yellow source color devices are made with DH InGaAlP on GaAs substrate Light Emitting Diode.

Package Dimensions



Notes:

1. All dimensions are in millimeters (inches).
2. Tolerance is $\pm 0.25(0.01)$ " unless otherwise noted.
3. Lead spacing is measured where the lead emerge package.
4. Specifications are subject to change without notice.

Selection Guide

| Part No. | Dice | Lens Type | Iv (mcd) @ 20 mA | | Viewing Angle |
|-------------|-------------------------------|-------------|---------------------|------|------------------|
| | | | Min. | Typ. | 2θ1/2 |
| L-7113SYC-H | SUPER BRIGHT YELLOW (InGaAlP) | WATER CLEAR | 1500 | 2100 | 20° |

Note:

1. θ1/2 is the angle from optical centerline where the luminous intensity is 1/2 the optical centerline value.

Electrical / Optical Characteristics at T_A=25°C

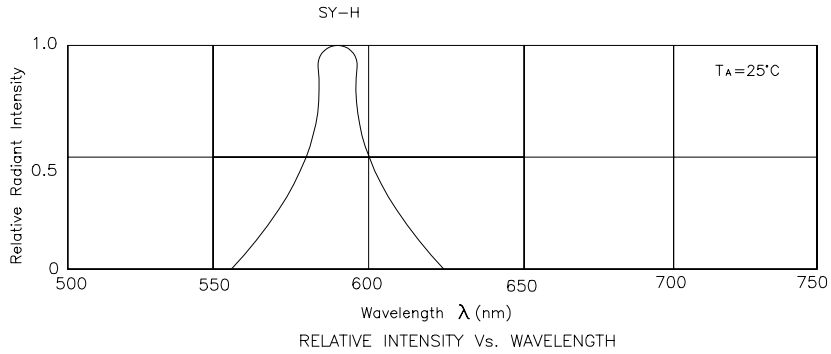
| Symbol | Parameter | Device | Typ. | Max. | Units | Test Conditions |
|-------------------|-------------------------|-----------------------------|------|------|-------|-----------------|
| λ _{peak} | Peak Wavelength | Super Bright Yellow (SY-H) | 590 | | nm | IF=20mA |
| λ _D | Dominate Wavelength | HSuper Bright Yellow (SY-H) | 589 | | nm | IF=20mA |
| Δλ _{1/2} | Spectral Line Halfwidth | Super Bright Yellow (SY-H) | 20 | | nm | IF=20mA |
| C | Capacitance | Super Bright Yellow (SY-H) | 45 | | pF | VR=0V;f=1MHz |
| V _F | Forward Voltage | Super Bright Yellow (SY-H) | 2.3 | 2.8 | V | IF=20mA |
| I _R | Reverse Current | Super Bright Yellow (SY-H) | | 10 | μA | VR = 5V |

Absolute Maximum Ratings at T_A=25°C

| Parameter | Super Bright Yellow (SY-H) | Units |
|-------------------------------|-------------------------------|-------|
| Power dissipation | 120 | mW |
| DC Forward Current | 30 | mA |
| Peak Forward Current [1] | 140 | mA |
| Reverse Voltage | 5 | V |
| Operating/Storage Temperature | -40°C To +85°C | |
| Lead Solder Temperature [2] | 260°C For 5 Seconds | |

Notes:

1. 1/10 Duty Cycle, 0.1ms Pulse Width.
2. 4mm below package base.



Super Bright Yellow L-7113SYC-H

