



# Silicon Photo Transistors BPT Series

## APPLICATIONS :

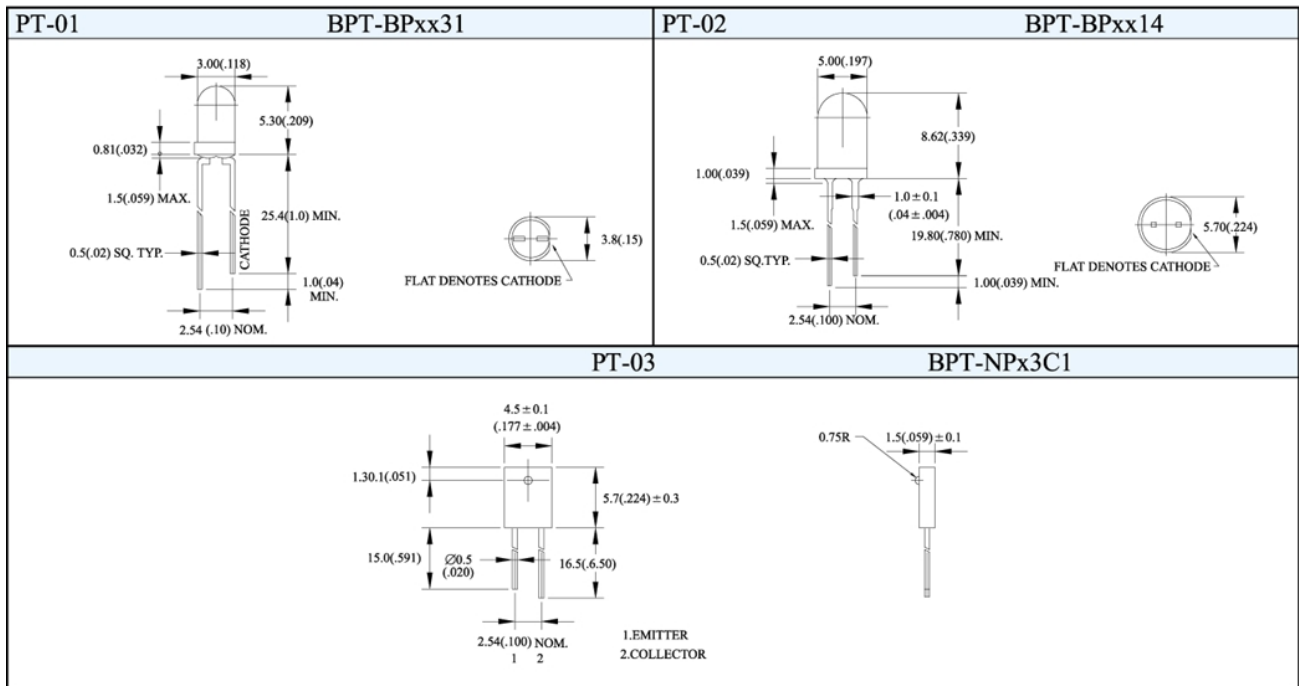
- Remote Control , • Photo Detector, • Smoke Detector, • Automatic Control System, • Optical Encoder

## ABSOLUTE MAXIMUM RATINGS (Ta=25°C)

- Collector-to-Emitter Saturation Voltage Vce(SAT) (Ib=100uA) /Ic=2mA ..... 0.4V( Max. )
- Emitter-to-collector Breakdown Voltage(BVeco) ..... -5V( Max. )
- Operating Temperature Range ..... ( -45°C~+85°C)
- Storage Temperature Range ..... ( -45°C~+100°C)
- Lead Soldering Temperature (1/16inch from case).....( 5 sec 250°C)

## ELECTRICAL AND RADIANT CHARACTERISTICS (Ta=25°C)

Package	Part No.	Absolute Maximum Rating		Lens Appearance	Collector Light Current (IC(ON))				Collector Dark Current (Iceo)		Rise Time & Fall Time		Peak Wave Length λ P (nm)	Viewing Angle 2θ 1/2 (deg)	Drawing No.
		Vceo (V)	Pd (mW)		Min. (mA)	Typ. (mA)	Vce (V)	H (mW/cm <sup>2</sup> )	Max. (nA)	Vce (V)	Tr (us)	Tf (us)			
T-1 Standard 1.0" Lead 3 φ	BPT-BP0331	30	100	Water Clear	0.5	2.0	5.0	1.0	100	10	10	15	940	30	PT-01
	Black			0.5	2.0	5.0	100		10	10	15				
	Water Clear			1.0	3.0	5.0	100		10	10	15				
	Black			1.0	3.0	5.0	100		10	10	15				
	Water Clear			1.5	4.0	5.0	100		10	10	15				
	Black			1.5	4.0	5.0	100		10	10	15				
T-13/4 Standard 1.0" Lead 5 φ	BPT-BP0314	30	100	Water Clear	0.8	3.0	5.0	1.0	100	10	10	15	940	35	PT-02
	Black			0.8	3.0	5.0	100		10	10	15				
	Water Clear			1.2	4.0	5.0	100		10	10	15				
	Black			1.2	4.0	5.0	100		10	10	15				
	Water Clear			1.7	5.0	5.0	100		10	10	15				
	Black			1.7	5.0	5.0	100		10	10	15				
Side Viewing 1.5*4.5*5.7	BPT-NP03C1	30	100	Water Clear	0.5	1.5	5.0	1.0	100	10	10	15	940	50	PT-03
	BPT-NP13C1			Water Clear	0.5	2.5	5.0		100	10	10	15			
	BPT-NP23C1			Water Clear	0.5	3.5	5.0		100	10	10	15			



Notes : 1. All Dimensions are in millimeters (inches).  
2. Tolerance is ± 0.25mm (.010").