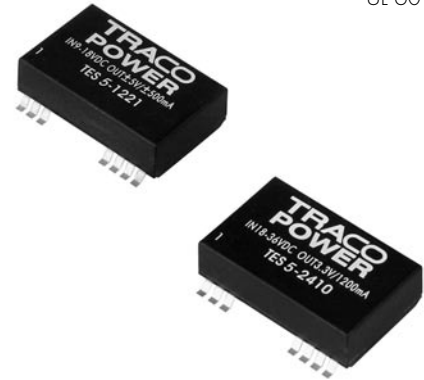




Features

- ◆ Compact low Profile SMD Package
- ◆ Wide 2:1 Input Voltage Range
- ◆ I/O Isolation 1500VDC
- ◆ Operating Temp. Range -40°C to 85°C max.
- ◆ Short Circuit Protection
- ◆ Remote On/Off
- ◆ High Accuracy of Pin Co-Planarity
- ◆ Lead free Design – RoHS compliant
- ◆ 3 Years Product Warranty



The TES-5 series is a new range of high performance 5W dc-dc converter modules in low profile SMD package with compact dimensions of only 33.4 x 20.6 x 10.2 mm. The 18 available models feature wide 2:1 input voltage range and tightly regulated output voltage. High efficiency allows operating temperatures up to 71°C at full load.

Further features are built-in EMI-filter to meet EN 55022, class A and FCC, level A without additional components and remote On/Off control. The products are qualified for soldering in a high temperature lead-free reflow solder process. Typical applications for these converters are battery powered equipment, instrumentation, communication systems and industrial controls.

Models

Ordercode	Input voltage range	Output voltage	Output current max.	Efficiency typ.
TES 5-1210	9 – 18 VDC (12 VDC nominal)	3.3 VDC	1200 mA	76 %
TES 5-1211		5 VDC	1000 mA	80 %
TES 5-1212		12 VDC	420 mA	83 %
TES 5-1213		15 VDC	335 mA	83 %
TES 5-1221		± 5 VDC	± 500 mA	80 %
TES 5-1222		± 12 VDC	± 210 mA	83 %
TES 5-1223		± 15 VDC	± 165 mA	83 %
TES 5-2410	18 – 36 VDC (24 VDC nominal)	3.3 VDC	1200 mA	78 %
TES 5-2411		5 VDC	1000 mA	82 %
TES 5-2412		12 VDC	420 mA	85 %
TES 5-2413		15 VDC	335 mA	85 %
TES 5-2421		± 5 VDC	± 500 mA	82 %
TES 5-2422		± 12 VDC	± 210 mA	85 %
TES 5-2423		± 15 VDC	± 165 mA	85 %
TES 5-4810	36 – 75 VDC (48 VDC nominal)	3.3 VDC	1200 mA	78 %
TES 5-4811		5 VDC	1000 mA	82 %
TES 5-4812		12 VDC	420 mA	85 %
TES 5-4813		15 VDC	335 mA	85 %
TES 5-4821		± 5 VDC	± 500 mA	82 %
TES 5-4822		± 12 VDC	± 210 mA	85 %
TES 5-4823		± 15 VDC	± 165 mA	85 %

Input Specifications

Input current no load	12 Vin models 24 Vin models 48 Vin models	20 mA 5 mA 3 mA
Input current full load	12 Vin models 24 Vin models 48 Vin models	500 mA typ. 250 mA typ. 125 mA typ.
Start-up voltage / under voltage shut down	12 Vin models 24 Vin models 48 Vin models	8 VDC / 7 VDC typ. 16 VDC / 15 VDC typ. 33 VDC / 31 VDC typ.
Surge voltage (1 sec. max.)	12 Vin models 24 Vin models 48 Vin models	25 V max. 50 V max. 100 V max.
Reverse voltage protection		1.0 A max.
Conducted noise (input)		EN 55022 level A, FCC part 15, class A

Output Specifications

Voltage set accuracy		± 1 %
Regulation	– Input variation Vin min. to Vin max. – Load variation 20 – 100 % single output models dual output models balanced load	0.3 % max. 1 % max. 2 % max.
Ripple and noise (20 MHz Bandwidth)		85 mVpk-pk max.
Temperature coefficient		± 0.02 % / °C
Output current limitation		>115 % of Iout max., constant current
Short circuit protection		indefinite, automatic recovery
Capacitive load	single output models dual output models	680 µF max. 100 µF max. (each output)

General Specifications

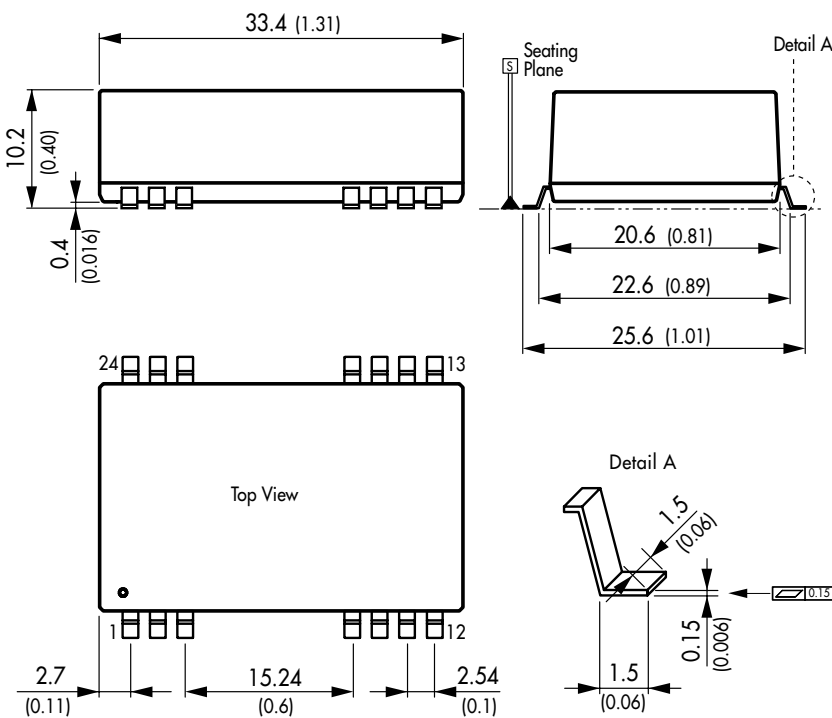
Temperature ranges	– Operating – Case temperature – Storage	– 40°C ... + 85 °C + 100°C max. – 40°C ... + 125 °C
Derating		3.5%/K above 70°C
Humidity (non condensing)		95 % rel H max.
Reliability, calculated MTBF (MIL-HDBK-217F ground benign)		>1 Mio. h @ + 25 °C
Isolation voltage (60sec.)	– Input/Output	1'500 VDC
Isolation capacity	– Input/Output	650 pF typ.
Isolation resistance	– Input/Output (500 VDC)	>1'000 MOhm
Switching frequency		260 kHz typ.
Safety standards		UL 60950-1 , IEC 60950-1, EN 60950-1
Safety approvals		CSA (pending)
Remote On/Off	– On: – Off: – Off idle current:	2.5 ... 5.5 VDC or open circuit -0.7 ... 0.8 VDC or short circuit pin 1 and 2(3) 10 mA

All specifications valid at nominal input voltage, full load and +25°C after warm-up time unless otherwise stated.

Physical Specifications

Case material	non conductive plastic
Potting material	epoxy (UL 94V-0 rated)
Weight	14 g (0.55 oz)
Reflow soldering profile	as per IPC/JEDEC J-STD-020C peak temp. 245°C (+0°C) for 20sec. max.

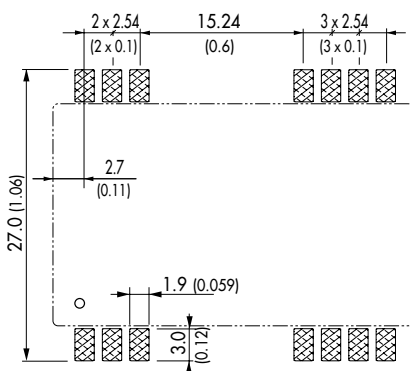
Outline Dimensions



Pin-Out		
Pin	Single	Dual
1	Remote On/Off	Remote On/Off
2	-Vin (GND)	-Vin (GND)
3	-Vin (GND)	-Vin (GND)
9	No con.	Common
10	No con.	No con.
11	No con.	-Vout
12	No con.	No con.
13	No con.	No con.
14	+Vout	+Vout
15	No con.	No con.
16	-Vout	Common
22	+Vin (Vcc)	+Vin (Vcc)
23	+Vin (Vcc)	+Vin (Vcc)
24	No con.	No con.

Dimensions in [mm], () = Inch
Tolerances ±0.25 (0.02)
Pin pitch tolerances ±0.13 (0.005)

Pin Patterns:



Specifications can be changed any time without notice