

# Power Factor Correction and PWM Controller Combo

## GENERAL DESCRIPTION

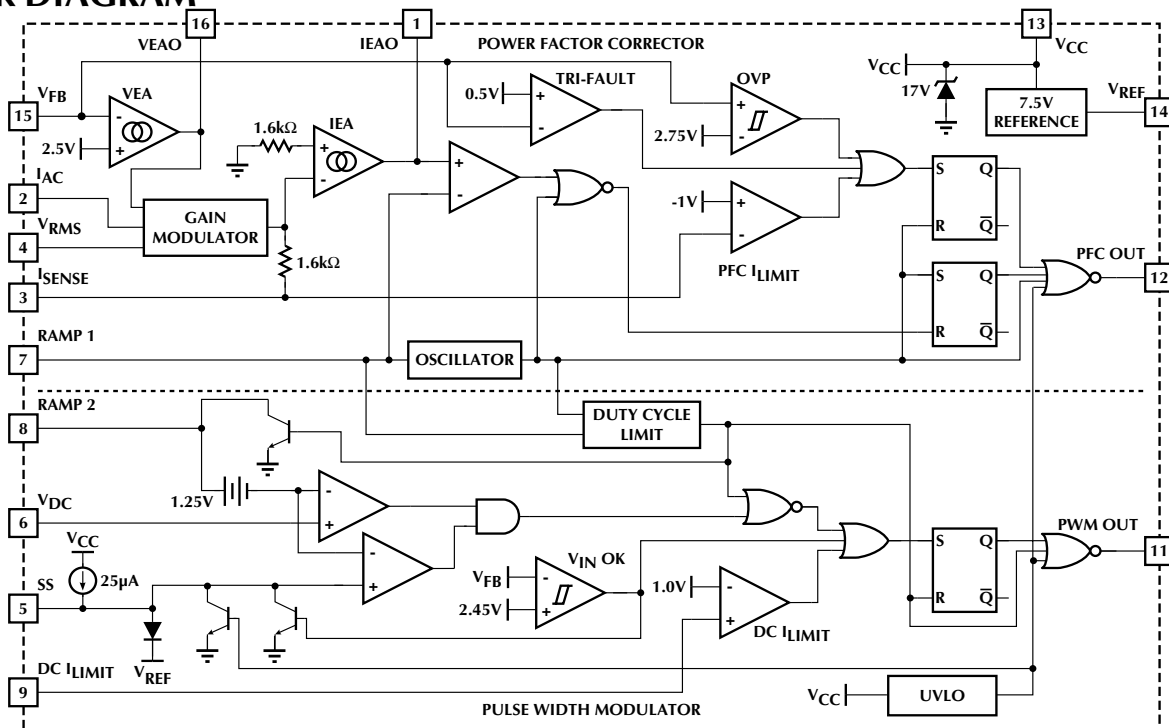
The ML4800 is a controller for power factor corrected, switched mode power supplies. Power Factor Correction (PFC) allows the use of smaller, lower cost bulk capacitors, reduces power line loading and stress on the switching FETs, and results in a power supply that fully complies with IEC1000-3-2 specification. Intended as a BiCMOS version of the industry-standard ML4824, the ML4800 includes circuits for the implementation of leading edge, average current, "boost" type power factor correction and a trailing edge, pulse width modulator (PWM). It also includes a TriFault Detect™ function to help ensure that no unsafe conditions will result from single component failure in the PFC. Gate-drivers with 1A capabilities minimize the need for external driver circuits. Low power requirements improve efficiency and reduce component costs.

An over-voltage comparator shuts down the PFC section in the event of a sudden decrease in load. The PFC section also includes peak current limiting and input voltage brownout protection. The PWM section can be operated in current or voltage mode, at up to 250kHz, and includes an accurate 50% duty cycle limit to prevent transformer saturation.

## FEATURES

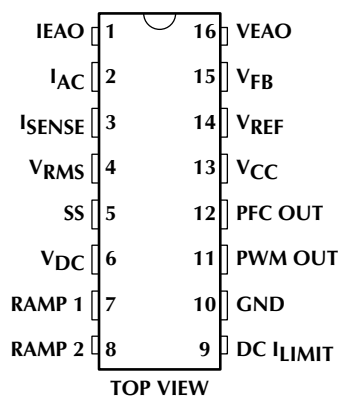
- Internally synchronized leading-edge PFC and trailing-edge PWM in one IC
- TriFault Detect™ for UL1950 compliance and enhanced safety
- Slow rate enhanced transconductance error amplifier for ultra-fast PFC response
- Low power: 200µA startup current, 5.5mA operating current
- Low total harmonic distortion, high PF
- Reduced ripple current in storage capacitor between PFC and PWM sections
- Average current, continuous boost leading edge PFC
- PWM configurable for current-mode or voltage mode operation
- Current fed gain modulator for improved noise immunity
- Overvoltage and brown-out protection, UVLO, and soft start

## BLOCK DIAGRAM



## PIN CONFIGURATION

**ML4800**  
**16-Pin PDIP (P16)**  
**16-Pin Narrow SOIC (S16N)**



## PIN DESCRIPTION

PIN	NAME	FUNCTION	PIN	NAME	FUNCTION
1	IEAO	Slew rate enhanced PFC transconductance error amplifier output	9	DC $I_{LIMIT}$	PWM cycle-by-cycle current limit comparator input
2	$I_{AC}$	PFC AC line reference input to Gain Modulator	10	GND	Ground
3	$I_{SENSE}$	Current sense input to the PFC Gain Modulator	11	PWM OUT	PWM driver output
4	$V_{RMS}$	PFC Gain Modulator RMS line voltage compensation input	12	PFC OUT	PFC driver output
5	SS	Connection point for the PWM soft start capacitor	13	$V_{CC}$	Positive supply
6	$V_{DC}$	PWM voltage feedback input	14	$V_{REF}$	Buffered output for the internal 7.5V reference
7	RAMP 1	Oscillator timing node; timing set by $R_T C_T$	15	$V_{FB}$	PFC transconductance voltage error amplifier input
8	RAMP 2	When in current mode, this pin functions as the current sense input; when in voltage mode, it is the PWM modulation ramp input.	16	VEAO	PFC transconductance voltage error amplifier output

**ABSOLUTE MAXIMUM RATINGS**

Absolute maximum ratings are those values beyond which the device could be permanently damaged. Absolute maximum ratings are stress ratings only and functional device operation is not implied.

V<sub>CC</sub> ..... 18V  
 I<sub>SENSE</sub> Voltage ..... -5V to 0.7V  
 Voltage on Any Other Pin ..... GND - 0.3V to V<sub>CCZ</sub> + 0.3V  
 I<sub>REF</sub> ..... 10mA  
 I<sub>AC</sub> Input Current ..... 10mA  
 Peak PFC OUT Current, Source or Sink ..... 1A  
 Peak PWM OUT Current, Source or Sink ..... 1A  
 PFC OUT, PWM OUT Energy Per Cycle ..... 1.5μJ

Junction Temperature ..... 150°C  
 Storage Temperature Range ..... -65°C to 150°C  
 Lead Temperature (Soldering, 10 sec) ..... 260°C  
 Thermal Resistance (θ<sub>JA</sub>)  
 Plastic DIP ..... 80°C/W  
 Plastic SOIC ..... 105°C/W

**OPERATING CONDITIONS**

Temperature Range  
 ML4800CX ..... 0°C to 70°C  
 ML4800IX ..... -40°C to 85°C

**ELECTRICAL CHARACTERISTICS**

Unless otherwise specified, V<sub>CC</sub> = 15V, R<sub>T</sub> = 52.3kΩ, C<sub>T</sub> = 470pF, T<sub>A</sub> = Operating Temperature Range (Note 1)

SYMBOL	PARAMETER	CONDITIONS	MIN	TYP	MAX	UNITS
<b>VOLTAGE ERROR AMPLIFIER</b>						
	Input Voltage Range		0		5	V
	Transconductance	V <sub>NON INV</sub> = V <sub>INV</sub> , VEAO = 3.75V	30	65	90	μS
	Feedback Reference Voltage		2.43	2.5	2.57	V
	Input Bias Current	Note 2		-0.5	-1.0	μA
	Output High Voltage		6.0	6.7		V
	Output Low Voltage			0.1	0.4	V
	Source Current	V <sub>IN</sub> = ±0.5V, V <sub>OUT</sub> = 6V	-40	-140		μA
	Sink Current	V <sub>IN</sub> = ±0.5V, V <sub>OUT</sub> = 1.5V	40	140		μA
	Open Loop Gain		50	60		dB
	Power Supply Rejection Ratio	11V < V <sub>CC</sub> < 16.5V	50	60		dB

**CURRENT ERROR AMPLIFIER**

	Input Voltage Range		-1.5		2	V
	Transconductance	V <sub>NON INV</sub> = V <sub>INV</sub> , VEAO = 3.75V	50	100	150	μS
	Input Offset Voltage		0	4	15	mV
	Input Bias Current			-0.5	-1.0	μA
	Output High Voltage		6.0	6.7		V
	Output Low Voltage			0.65	1.0	V
	Source Current	V <sub>IN</sub> = ±0.5V, V <sub>OUT</sub> = 6V	-40	-104		μA
	Sink Current	V <sub>IN</sub> = ±0.5V, V <sub>OUT</sub> = 1.5V	40	160		μA
	Open Loop Gain		60	70		dB
	Power Supply Rejection Ratio	11V < V <sub>CC</sub> < 16.5V	60	75		dB

**OVP COMPARATOR**

	Threshold Voltage		2.65	2.75	2.85	V
	Hysteresis		175	250	325	mV

# ML4800

## ELECTRICAL CHARACTERISTICS

SYMBOL	PARAMETER	CONDITIONS	MIN	TYP	MAX	UNITS
<b>TRI-FAULT DETECT</b>						
	Fault Detect HIGH		2.65	2.75	2.85	V
	Time to Fault Detect HIGH	$V_{FB} = V_{FAULT\ DETECT\ LOW}$ to $V_{FB} = OPEN$ . 470pF from $V_{FB}$ to GND		2	4	ms
	Fault Detect LOW		0.4	0.5	0.6	V
<b>PFC <math>I_{LIMIT}</math> COMPARATOR</b>						
	Threshold Voltage		-0.9	-1.0	-1.1	V
	(PFC $I_{LIMIT}$ $V_{TH}$ - Gain Modulator Output)		120	220		mV
	Delay to Output			150	300	ns
<b>DC <math>I_{LIMIT}</math> COMPARATOR</b>						
	Threshold Voltage		0.95	1.0	1.05	V
	Input Bias Current			$\pm 0.3$	$\pm 1$	$\mu A$
	Delay to Output			150	300	ns
<b><math>V_{IN}</math> OK COMPARATOR</b>						
	Threshold Voltage		2.35	2.45	2.55	V
	Hysteresis		0.8	1.0	1.2	V
<b>GAIN MODULATOR</b>						
	Gain (Note 3)	$I_{AC} = 100\mu A$ , $V_{RMS} = V_{FB} = 0V$	0.60	0.80	1.05	
		$I_{AC} = 50\mu A$ , $V_{RMS} = 1.2V$ , $V_{FB} = 0V$	1.8	2.0	2.40	
		$I_{AC} = 50\mu A$ , $V_{RMS} = 1.8V$ , $V_{FB} = 0V$	0.85	1.0	1.25	
		$I_{AC} = 100\mu A$ , $V_{RMS} = 3.3V$ , $V_{FB} = 0V$	0.20	0.30	0.40	
	Bandwidth	$I_{AC} = 100\mu A$		10		MHz
	Output Voltage	$I_{AC} = 350\mu A$ , $V_{RMS} = 1V$ , $V_{FB} = 0V$	0.60	0.75	0.9	V
<b>OSCILLATOR</b>						
	Initial Accuracy	$T_A = 25^\circ C$	71	76	81	kHz
	Voltage Stability	$11V < V_{CC} < 16.5V$		1		%
	Temperature Stability			2		%
	Total Variation	Line, Temp	68		84	kHz
	Ramp Valley to Peak Voltage			2.5		V
	PFC Dead Time			250	330	ns
	$C_T$ Discharge Current	$V_{RAMP\ 2} = 0V$ , $V_{RAMP\ 1} = 2.5V$	3.5	5.5	7.5	mA

## ELECTRICAL CHARACTERISTICS

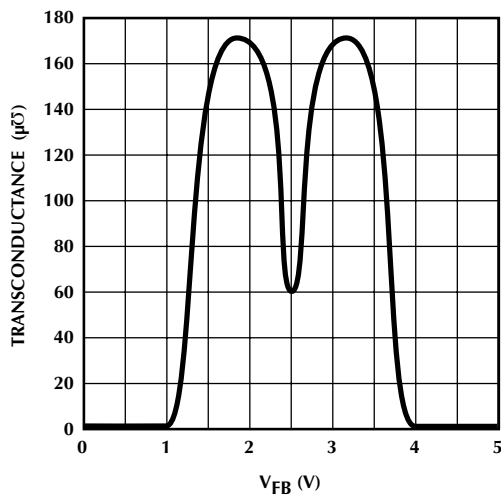
SYMBOL	PARAMETER	CONDITIONS	MIN	TYP	MAX	UNITS
<b>REFERENCE</b>						
	Output Voltage	$T_A = 25^\circ\text{C}$ , $I(V_{REF}) = 1\text{mA}$	7.4	7.5	7.6	V
	Line Regulation	$11\text{V} < V_{CC} < 16.5\text{V}$		10	25	mV
	Load Regulation	$0\text{mA} < I(V_{REF}) < 10\text{mA}$ ; $T_A = 0^\circ\text{C}$ to $70^\circ\text{C}$		10	20	mV
		$0\text{mA} < I(V_{REF}) < 5\text{mA}$ ; $T_A = -40^\circ\text{C}$ to $85^\circ\text{C}$		10	20	mV
	Temperature Stability			0.4		%
	Total Variation	Line, Load, Temp	7.35		7.65	V
	Long Term Stability	$T_J = 125^\circ\text{C}$ , 1000 Hours		5	25	mV
<b>PFC</b>						
	Minimum Duty Cycle	$V_{IEAO} > 4.0\text{V}$			0	%
	Maximum Duty Cycle	$V_{IEAO} < 1.2\text{V}$	90	95		%
	Output Low Voltage	$I_{OUT} = -20\text{mA}$		0.4	0.8	V
		$I_{OUT} = -100\text{mA}$		0.7	2.0	V
		$I_{OUT} = 10\text{mA}$ , $V_{CC} = 9\text{V}$		0.4	0.8	V
	Output High Voltage	$I_{OUT} = 20\text{mA}$	$V_{CC} - 0.8\text{V}$			V
		$I_{OUT} = 100\text{mA}$	$V_{CC} - 2\text{V}$			V
	Rise/Fall Time	$C_L = 1000\text{pF}$		50		ns
<b>PWM</b>						
	Duty Cycle Range		0-44	0-47	0-49	%
	Output Low Voltage	$I_{OUT} = -20\text{mA}$		0.4	0.8	V
		$I_{OUT} = -100\text{mA}$		0.7	2.0	V
		$I_{OUT} = 10\text{mA}$ , $V_{CC} = 9\text{V}$		0.4	0.8	V
	Output High Voltage	$I_{OUT} = 20\text{mA}$	$V_{CC} - 0.8\text{V}$			V
		$I_{OUT} = 100\text{mA}$	$V_{CC} - 2\text{V}$			V
	Rise/Fall Time	$C_L = 1000\text{pF}$		50		ns
<b>SUPPLY</b>						
	Start-up Current	$V_{CC} = 12\text{V}$ , $C_L = 0$		200	350	$\mu\text{A}$
	Operating Current	$14\text{V}$ , $C_L = 0$		5.5	7	mA
	Undervoltage Lockout Threshold		12.4	13	13.6	V
	Undervoltage Lockout Hysteresis		2.5	2.8	3.1	V

**Note 1:** Limits are guaranteed by 100% testing, sampling, or correlation with worst-case test conditions.

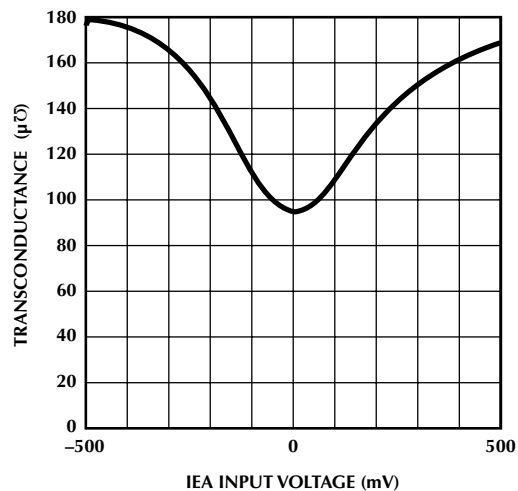
**Note 2:** Includes all bias currents to other circuits connected to the  $V_{FB}$  pin.

**Note 3:** Gain =  $K \times 5.3\text{V}$ ;  $K = (I_{GAINMOD} - I_{OFFSET}) \times [I_{AC} (V_{EAO} - 0.625)]^{-1}$ ;  $V_{EAO_{MAX}} = 5\text{V}$ .

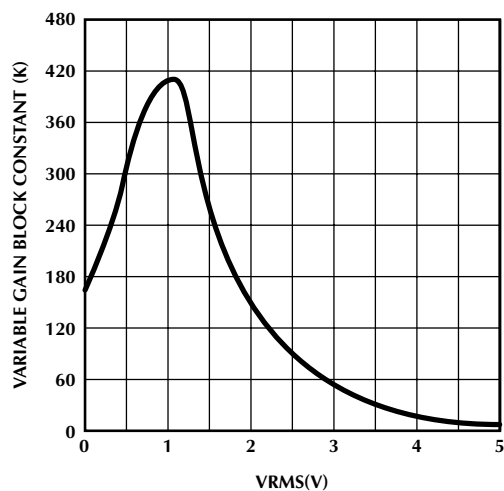
## TYPICAL PERFORMANCE CHARACTERISTICS



Voltage Error Amplifier (VEA) Transconductance ( $g_m$ )



Current Error Amplifier (IEA) Transconductance ( $g_m$ )



Gain Modulator Transfer Characteristic (K)

$$K = \frac{(I_{\text{GAINMOD}} - 84 \mu\text{A})}{\text{IAC} \times (5 - 0.625)} \text{mV}^{-1}$$

## FUNCTIONAL DESCRIPTION

The ML4800 consists of an average current controlled, continuous boost Power Factor Corrector (PFC) front end and a synchronized Pulse Width Modulator (PWM) back end. The PWM can be used in either current or voltage mode. In voltage mode, feedforward from the PFC output buss can be used to improve the PWM's line regulation. In either mode, the PWM stage uses conventional trailing-edge duty cycle modulation, while the PFC uses leading-edge modulation. This patented leading/trailing edge modulation technique results in a higher usable PFC error amplifier bandwidth, and can significantly reduce the size of the PFC DC buss capacitor.

The synchronization of the PWM with the PFC simplifies the PWM compensation due to the controlled ripple on the PFC output capacitor (the PWM input capacitor). The PWM section of the ML4800 runs at the same frequency as the PFC.

In addition to power factor correction, a number of protection features have been built into the ML4800. These include soft-start, PFC overvoltage protection, peak current limiting, brownout protection, duty cycle limiting, and under-voltage lockout.

### POWER FACTOR CORRECTION

Power factor correction makes a nonlinear load look like a resistive load to the AC line. For a resistor, the current drawn from the line is in phase with and proportional to the line voltage, so the power factor is unity (one). A common class of nonlinear load is the input of most power supplies, which use a bridge rectifier and capacitive input filter fed from the line. The peak-charging effect, which occurs on the input filter capacitor in these supplies, causes brief high-amplitude pulses of current to flow from the power line, rather than a sinusoidal current inphase with the line voltage. Such supplies present a power factor to the line of less than one (i.e. they cause significant current harmonics of the power line frequency to appear at their input). If the input current drawn by such a supply (or any other nonlinear load) can be made to follow the input voltage in instantaneous amplitude, it will appear resistive to the AC line and a unity power factor will be achieved.

To hold the input current draw of a device drawing power from the AC line in phase with and proportional to the input voltage, a way must be found to prevent that device from loading the line except in proportion to the instantaneous line voltage. The PFC section of the ML4800 uses a boost-mode DC-DC converter to accomplish this. The input to the converter is the full wave rectified AC line voltage. No bulk filtering is applied following the bridge rectifier, so the input voltage to the boost converter ranges (at twice line frequency) from zero volts to the peak value of the AC input and back to zero. By forcing the boost converter to meet two simultaneous conditions, it is possible to ensure that the current drawn from the power line is proportional to the input line voltage. One of these conditions is that the output voltage of the boost converter

must be set higher than the peak value of the line voltage. A commonly used value is 385VDC, to allow for a high line of 270VAC<sub>rms</sub>. The other condition is that the current drawn from the line at any given instant must be proportional to the line voltage. Establishing a suitable voltage control loop for the converter, which in turn drives a current error amplifier and switching output driver satisfies the first of these requirements. The second requirement is met by using the rectified AC line voltage to modulate the output of the voltage control loop. Such modulation causes the current error amplifier to command a power stage current that varies directly with the input voltage. In order to prevent ripple, which will necessarily appear at the output of the boost circuit (typically about 10VAC on a 385V DC level), from introducing distortion back through the voltage error amplifier, the bandwidth of the voltage loop is deliberately kept low. A final refinement is to adjust the overall gain of the PFC such to be proportional to  $1/V_{IN}^2$ , which linearizes the transfer function of the system as the AC input voltage varies.

Since the boost converter topology in the ML4800 PFC is of the current-averaging type, no slope compensation is required.

### PFC SECTION

#### Gain Modulator

Figure 1 shows a block diagram of the PFC section of the ML4800. The gain modulator is the heart of the PFC, as it is this circuit block which controls the response of the current loop to line voltage waveform and frequency, rms line voltage, and PFC output voltage. There are three inputs to the gain modulator. These are:

- 1) A current representing the instantaneous input voltage (amplitude and waveshape) to the PFC. The rectified AC input sine wave is converted to a proportional current via a resistor and is then fed into the gain modulator at  $I_{AC}$ . Sampling current in this way minimizes ground noise, as is required in high power switching power conversion environments. The gain modulator responds linearly to this current.
- 2) A voltage proportional to the long-term RMS AC line voltage, derived from the rectified line voltage after scaling and filtering. This signal is presented to the gain modulator at  $V_{RMS}$ . The gain modulator's output is inversely proportional to  $V_{RMS}^2$  (except at unusually low values of  $V_{RMS}$  where special gain contouring takes over, to limit power dissipation of the circuit components under heavy brownout conditions). The relationship between  $V_{RMS}$  and gain is called K, and is illustrated in the Typical Performance Characteristics.
- 3) The output of the voltage error amplifier, VEAO. The gain modulator responds linearly to variations in this voltage.

## FUNCTIONAL DESCRIPTION (Continued)

The output of the gain modulator is a current signal, in the form of a full wave rectified sinusoid at twice the line frequency. This current is applied to the virtual-ground (negative) input of the current error amplifier. In this way the gain modulator forms the reference for the current error loop, and ultimately controls the instantaneous current draw of the PFC from the power line. The general form for the output of the gain modulator is:

$$I_{\text{GAINMOD}} = \frac{I_{\text{AC}} \times \text{VEAO}}{V_{\text{RMS}}^2} \times IV \quad (1)$$

More exactly, the output current of the gain modulator is given by:

$$I_{\text{GAINMOD}} = K \times (\text{VEAO} - 0.625\text{V}) \times I_{\text{AC}}$$

where K is in units of V<sup>-1</sup>.

Note that the output current of the gain modulator is limited to 500µA.

### Current Error Amplifier

The current error amplifier's output controls the PFC duty cycle to keep the average current through the boost inductor a linear function of the line voltage. At the inverting input to the current error amplifier, the output current of the gain modulator is summed with a current which results from a negative voltage being impressed upon the I<sub>SENSE</sub> pin. The negative voltage on I<sub>SENSE</sub> represents the sum of all currents flowing in the PFC circuit, and is typically derived from a current sense resistor in series with the negative terminal of the input bridge rectifier. In higher power applications, two current transformers are sometimes used, one to monitor the I<sub>D</sub> of the boost MOSFET(s) and one to monitor the I<sub>F</sub> of the boost diode. As stated above, the inverting input of the current error amplifier is a virtual ground. Given this fact, and the arrangement of the duty cycle modulator polarities internal to the PFC, an increase in positive current from

the gain modulator will cause the output stage to increase its duty cycle until the voltage on I<sub>SENSE</sub> is adequately negative to cancel this increased current. Similarly, if the gain modulator's output decreases, the output duty cycle will decrease, to achieve a less negative voltage on the I<sub>SENSE</sub> pin.

### Cycle-By-Cycle Current Limiter

The I<sub>SENSE</sub> pin, as well as being a part of the current feedback loop, is a direct input to the cycle-by-cycle current limiter for the PFC section. Should the input voltage at this pin ever be more negative than -1V, the output of the PFC will be disabled until the protection flip-flop is reset by the clock pulse at the start of the next PFC power cycle.

### TriFault Detect™

To improve power supply reliability, reduce system component count, and simplify compliance to UL 1950 safety standards, the ML4800 includes TriFault Detect. This feature monitors VFB (Pin 15) for certain PFC fault conditions.

In the case of a feedback path failure, the output of the PFC could go out of safe operating limits. With such a failure, VFB will go outside of its normal operating area. Should VFB go too low, too high, or open, TriFault Detect senses the error and terminates the PFC output drive.

TriFault detect is an entirely internal circuit. It requires no external components to serve its protective function.

### Overvoltage Protection

The OVP comparator serves to protect the power circuit from being subjected to excessive voltages if the load should suddenly change. A resistor divider from the high voltage DC output of the PFC is fed to V<sub>FB</sub>. When the voltage on V<sub>FB</sub> exceeds 2.75V, the PFC output driver is

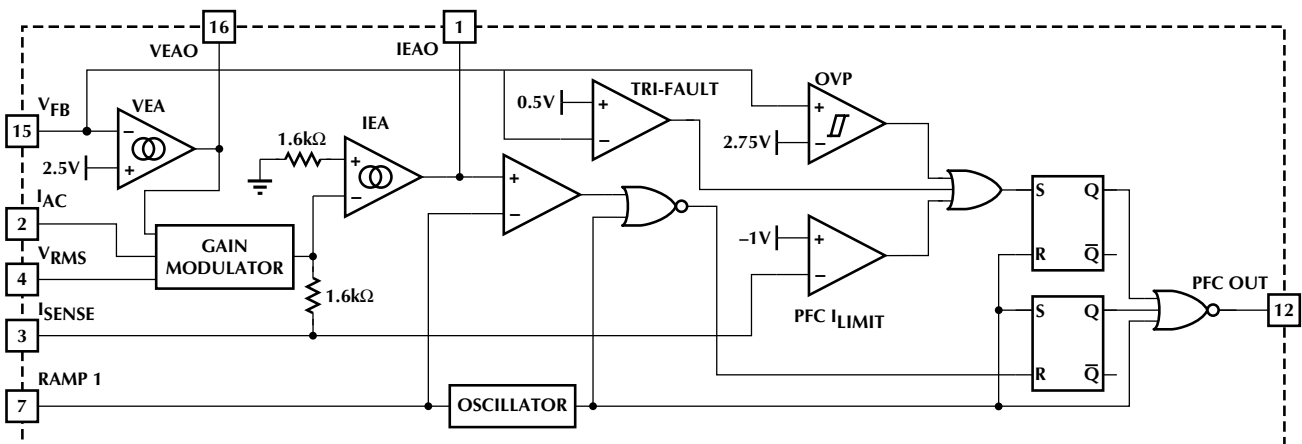


Figure 1. PFC Section Block Diagram



## FUNCTIONAL DESCRIPTION (Continued)

shut down. The PWM section will continue to operate. The OVP comparator has 250mV of hysteresis, and the PFC will not restart until the voltage at  $V_{FB}$  drops below 2.50V. The  $V_{FB}$  should be set at a level where the active and passive external power components and the ML4800 are within their safe operating voltages, but not so low as to interfere with the boost voltage regulation loop.

### Error Amplifier Compensation

The PWM loading of the PFC can be modeled as a negative resistor; an increase in input voltage to the PWM causes a decrease in the input current. This response dictates the proper compensation of the two transconductance error amplifiers. Figure 2 shows the types of compensation networks most commonly used for the voltage and current error amplifiers, along with their respective return points. The current loop compensation is returned to  $V_{REF}$  to produce a soft-start characteristic on the PFC: as the reference voltage comes up from zero volts, it creates a differentiated voltage on IEAO which prevents the PFC from immediately demanding a full duty cycle on its boost converter.

There are two major concerns when compensating the voltage loop error amplifier; stability and transient response. Optimizing interaction between transient response and stability requires that the error amplifier's open-loop crossover frequency should be 1/2 that of the line frequency, or 23Hz for a 47Hz line (lowest anticipated international power frequency). The gain vs. input voltage of the ML4800's voltage error amplifier has a specially shaped non-linearity such that under steady-state operating conditions the transconductance of the error

amplifier is at a local minimum. Rapid perturbations in line or load conditions will cause the input to the voltage error amplifier ( $V_{FB}$ ) to deviate from its 2.5V (nominal) value. If this happens, the transconductance of the voltage error amplifier will increase significantly, as shown in the Typical Performance Characteristics. This raises the gain-bandwidth product of the voltage loop, resulting in a much more rapid voltage loop response to such perturbations than would occur with a conventional linear gain characteristic.

The current amplifier compensation is similar to that of the voltage error amplifier with the exception of the choice of crossover frequency. The crossover frequency of the current amplifier should be at least 10 times that of the voltage amplifier, to prevent interaction with the voltage loop. It should also be limited to less than 1/6th that of the switching frequency, e.g. 16.7kHz for a 100kHz switching frequency.

There is a modest degree of gain contouring applied to the transfer characteristic of the current error amplifier, to increase its speed of response to current-loop perturbations. However, the boost inductor will usually be the dominant factor in overall current loop response. Therefore, this contouring is significantly less marked than that of the voltage error amplifier. This is illustrated in the Typical Performance Characteristics.

For more information on compensating the current and voltage control loops, see Application Notes 33 and 34. Application Note 16 also contains valuable information for the design of this class of PFC.

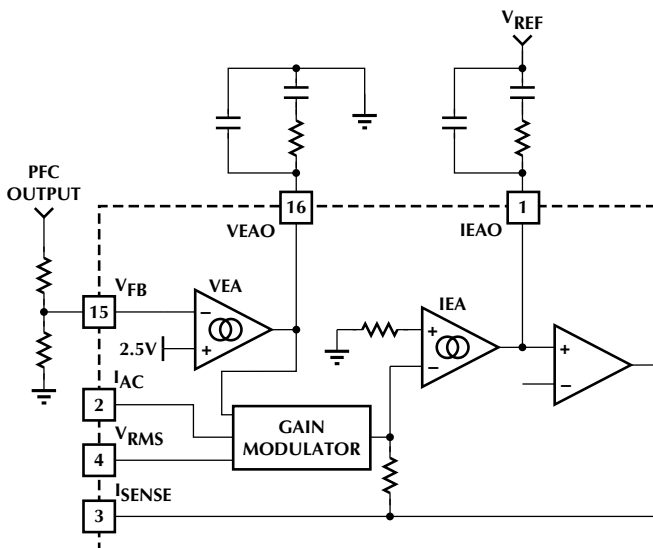


Figure 2. Compensation Network Connections for the Voltage and Current Error Amplifiers

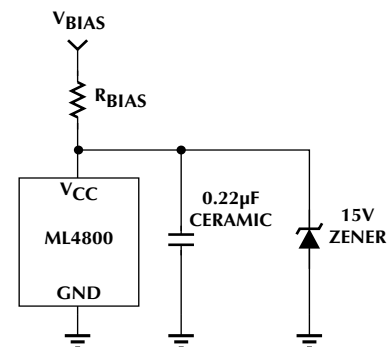


Figure 3. External Component Connections to  $V_{CC}$

## FUNCTIONAL DESCRIPTION (Continued)

### Oscillator (RAMP 1)

The oscillator frequency is determined by the values of  $R_T$  and  $C_T$ , which determine the ramp and off-time of the oscillator output clock:

$$f_{OSC} = \frac{1}{t_{RAMP} + t_{DEADTIME}} \quad (2)$$

The dead time of the oscillator is derived from the following equation:

$$t_{RAMP} = C_T \times R_T \times \ln \frac{V_{REF} - 1.25}{V_{REF} - 3.75} \quad (3)$$

at  $V_{REF} = 7.5V$ :

$$t_{RAMP} = C_T \times R_T \times 0.51$$

The dead time of the oscillator may be determined using:

$$t_{DEADTIME} = \frac{2.5V}{5.5mA} \times C_T = 450 \times C_T \quad (4)$$

The dead time is so small ( $t_{RAMP} \gg t_{DEADTIME}$ ) that the operating frequency can typically be approximated by:

$$f_{OSC} = \frac{1}{t_{RAMP}} \quad (5)$$

#### EXAMPLE:

For the application circuit shown in the data sheet, with the oscillator running at:

$$f_{OSC} = 100kHz = \frac{1}{t_{RAMP}}$$

Solving for  $R_T \times C_T$  yields  $1.96 \times 10^{-4}$ . Selecting standard components values,  $C_T = 390pF$ , and  $R_T = 51.1k\Omega$ .

The dead time of the oscillator adds to the Maximum PWM Duty Cycle (it is an input to the Duty Cycle Limiter). With zero oscillator dead time, the Maximum PWM Duty Cycle is typically 45%. In many applications, care should be taken that  $C_T$  not be made so large as to extend the Maximum Duty Cycle beyond 50%. This can be accomplished by using a stable 390pF capacitor for  $C_T$ .

## PWM SECTION

### Pulse Width Modulator

The PWM section of the ML4800 is straightforward, but there are several points which should be noted. Foremost among these is its inherent synchronization to the PFC section of the device, from which it also derives its basic timing. The PWM is capable of current-mode or voltage mode operation. In current-mode applications, the PWM ramp (RAMP 2) is usually derived directly from a current

sensing resistor or current transformer in the primary of the output stage, and is thereby representative of the current flowing in the converter's output stage. DC  $I_{LIMIT}$ , which provides cycle-by-cycle current limiting, is typically connected to RAMP 2 in such applications. For voltage-mode operation or certain specialized applications, RAMP 2 can be connected to a separate RC timing network to generate a voltage ramp against which  $V_{DC}$  will be compared. Under these conditions, the use of voltage feedforward from the PFC buss can assist in line regulation accuracy and response. As in current mode operation, the DC  $I_{LIMIT}$  input would be used for output stage overcurrent protection.

No voltage error amplifier is included in the PWM stage of the ML4800, as this function is generally performed on the output side of the PWM's isolation boundary. To facilitate the design of optocoupler feedback circuitry, an offset has been built into the PWM's RAMP 2 input which allows  $V_{DC}$  to command a zero percent duty cycle for input voltages below 1.25V.

### PWM Current Limit

The DC  $I_{LIMIT}$  pin is a direct input to the cycle-by-cycle current limiter for the PWM section. Should the input voltage at this pin ever exceed 1V, the output of the PWM will be disabled until the output flip-flop is reset by the clock pulse at the start of the next PWM power cycle.

### $V_{IN}$ OK Comparator

The  $V_{IN}$  OK comparator monitors the DC output of the PFC and inhibits the PWM if this voltage on  $V_{FB}$  is less than its nominal 2.45V. Once this voltage reaches 2.45V, which corresponds to the PFC output capacitor being charged to its rated boost voltage, the soft-start begins.

### PWM Control (RAMP 2)

When the PWM section is used in current mode, RAMP 2 is generally used as the sampling point for a voltage representing the current in the primary of the PWM's output transformer, derived either by a current sensing resistor or a current transformer. In voltage mode, it is the input for a ramp voltage generated by a second set of timing components ( $R_{RAMP2}$ ,  $C_{RAMP2}$ ), that will have a minimum value of zero volts and should have a peak value of approximately 5V. In voltage mode operation, feedforward from the PFC output buss is an excellent way to derive the timing ramp for the PWM stage.

### Soft Start

Start-up of the PWM is controlled by the selection of the external capacitor at SS. A current source of 25 $\mu$ A supplies the charging current for the capacitor, and start-up of the PWM begins at 1.25V. Start-up delay can be programmed by the following equation:

**FUNCTIONAL DESCRIPTION** (Continued)

$$C_{SS} = t_{DELAY} \times \frac{25\mu A}{1.25V} \tag{6}$$

where  $C_{SS}$  is the required soft start capacitance, and  $t_{DELAY}$  is the desired start-up delay.

It is important that the time constant of the PWM soft-start allow the PFC time to generate sufficient output power for the PWM section. The PWM start-up delay should be at least 5ms.

Solving for the minimum value of  $C_{SS}$ :

$$C_{SS} = 5ms \times \frac{25\mu A}{1.25V} = 100nF \tag{6a}$$

Caution should be exercised when using this minimum soft start capacitance value because premature charging of the SS capacitor and activation of the PWM section can result if  $V_{FB}$  is in the hysteresis band of the  $V_{IN}$  OK comparator at start-up. The magnitude of  $V_{FB}$  at start-up is related both to line voltage and nominal PFC output voltage. Typically, a 1.0 $\mu$ F soft start capacitor will allow time for  $V_{FB}$  and PFC out to reach their nominal values prior to activation of the PWM section at line voltages between 90Vrms and 265Vrms.

**Generating  $V_{CC}$**

The ML4800 is a voltage-fed part. It requires an external 15V,  $\pm 10\%$  (or better) shunt voltage regulator, or some other  $V_{CC}$  regulator, to regulate the voltage supplied to the part at 15V nominal. This allows low power dissipation

while at the same time delivering 13V nominal gate drive at the PWM OUT and PFC OUT outputs. If using a Zener diode for this function, it is important to limit the current through the Zener to avoid overheating or destroying it. This can be easily done with a single resistor in series with the  $V_{CC}$  pin, returned to a bias supply of typically 18V to 20V. The resistor's value must be chosen to meet the operating current requirement of the ML4800 itself (8.5mA, max.) plus the current required by the two gate driver outputs.

**EXAMPLE:**

With a  $V_{BIAS}$  of 20V, a  $V_{CC}$  of 15V and the ML4800 driving a total gate charge of 90nC at 100kHz (e.g., 1 IRF840 MOSFET and 2 IRF820 MOSFETs), the gate driver current required is:

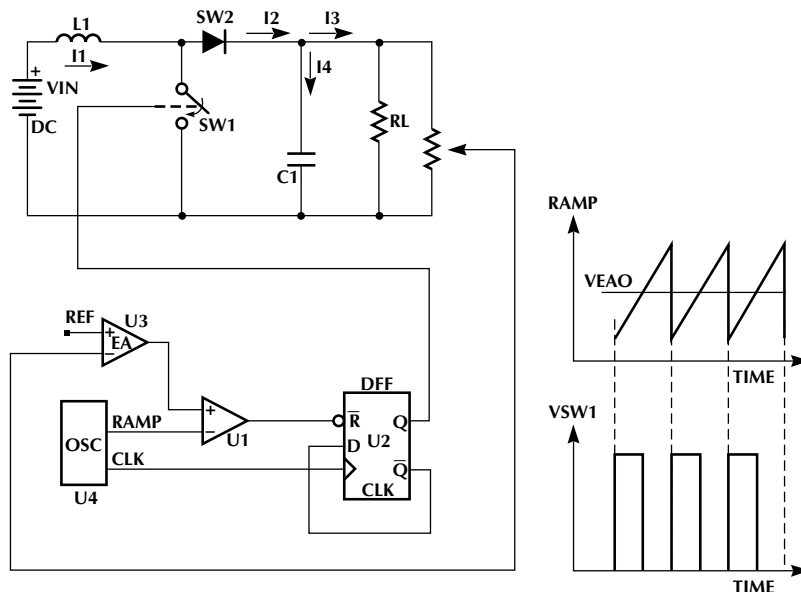
$$I_{GATEDRIVE} = 100kHz \times 90nC = 9mA \tag{7}$$

$$R_{BIAS} = \frac{V_{BIAS} - V_{CC}}{I_{CC} + I_G + I_z} \tag{8}$$

$$R_{BIAS} = \frac{20V - 15V}{6mA + 9mA + 5mA} = 250\Omega$$

Choose  $R_{BIAS} = 240\Omega$ .

The ML4800 should be locally bypassed with a 1.0 $\mu$ F ceramic capacitor. In most applications, an electrolytic capacitor of between 47 $\mu$ F and 220 $\mu$ F is also required across the part, both for filtering and as part of the start-up bootstrap circuitry.



**Figure 4. Typical Trailing Edge Control Scheme**

## LEADING/TRAILING MODULATION

Conventional Pulse Width Modulation (PWM) techniques employ trailing edge modulation in which the switch will turn on right after the trailing edge of the system clock. The error amplifier output voltage is then compared with the modulating ramp. When the modulating ramp reaches the level of the error amplifier output voltage, the switch will be turned OFF. When the switch is ON, the inductor current will ramp up. The effective duty cycle of the trailing edge modulation is determined during the ON time of the switch. Figure 4 shows a typical trailing edge control scheme.

In the case of leading edge modulation, the switch is turned OFF right at the leading edge of the system clock. When the modulating ramp reaches the level of the error amplifier output voltage, the switch will be turned ON. The effective duty-cycle of the leading edge modulation is determined during the OFF time of the switch. Figure 5 shows a leading edge control scheme.

One of the advantages of this control technique is that it requires only one system clock. Switch 1 (SW1) turns off and switch 2 (SW2) turns on at the same instant to minimize the momentary “no-load” period, thus lowering ripple voltage generated by the switching action. With such synchronized switching, the ripple voltage of the first stage is reduced. Calculation and evaluation have shown that the 120Hz component of the PFC’s output ripple voltage can be reduced by as much as 30% using this method.

## TYPICAL APPLICATIONS

Figure 6 is the application circuit for a complete 100W power factor corrected power supply, designed using the methods and general topology detailed in Application Note 33.

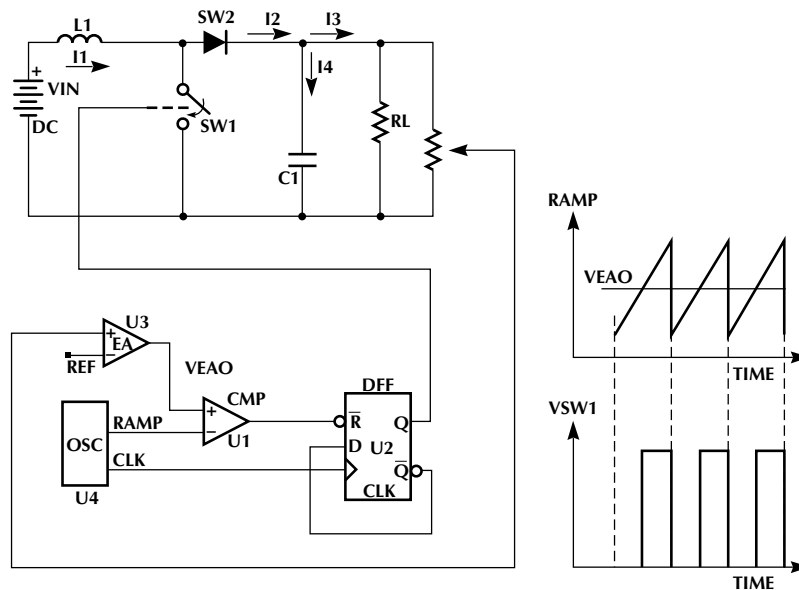
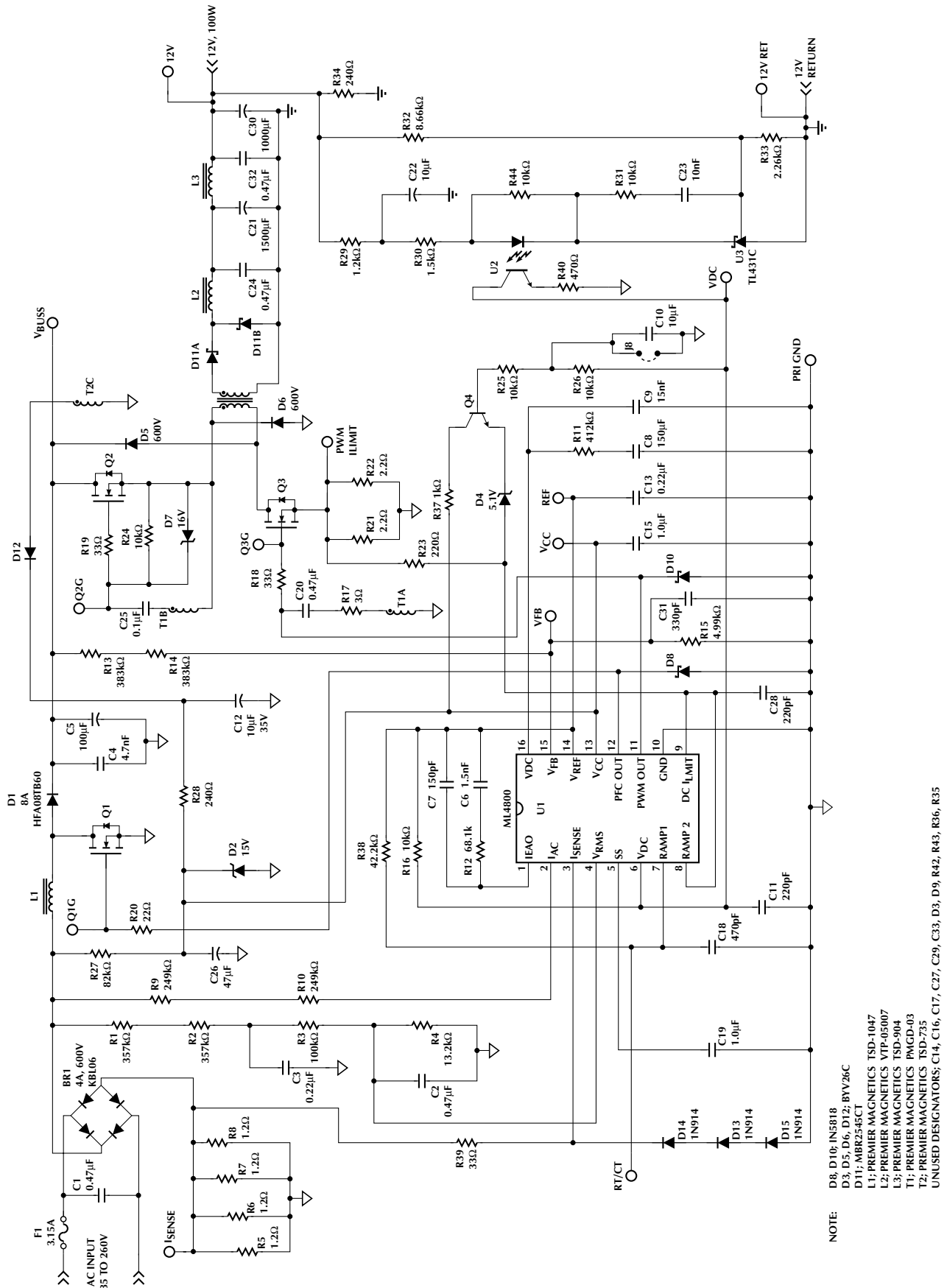


Figure 5. Typical Leading Edge Control Scheme



NOTE:  
 D8, D10: IN5818  
 D3, D5, D6, D12: BVV36C  
 D11: MBR2545CT  
 L1: PREMIER MAGNETICS TSD-1047  
 L2: PREMIER MAGNETICS VTP-05007  
 L3: PREMIER MAGNETICS TSD-504  
 T1: PREMIER MAGNETICS PMGD-03  
 T2: PREMIER MAGNETICS TSD-735  
 UNUSED DESIGNATORS: C14, C16, C17, C27, C29, C33, D3, D9, R42, R43, R36, R35

Figure 6. 100W Power Factor Corrected Power Supply, Designed Using Micro Linear Application Note 33

## ORDERING INFORMATION

PART NUMBER	TEMPERATURE RANGE	PACKAGE
ML4800CP	0°C to 70°C	16-Pin PDIP (P16)
ML4800CS	0°C to 70°C	16-Pin Narrow SOIC (S16N)
ML4800IP	-40°C to 85°C	16-Pin PDIP (P16)
ML4800IS	-40°C to 85°C	16-Pin Narrow SOIC (S16N)

### DISCLAIMER

FAIRCHILD SEMICONDUCTOR RESERVES THE RIGHT TO MAKE CHANGES WITHOUT FURTHER NOTICE TO ANY PRODUCTS HEREIN TO IMPROVE RELIABILITY, FUNCTION OR DESIGN. FAIRCHILD DOES NOT ASSUME ANY LIABILITY ARISING OUT OF THE APPLICATION OR USE OF ANY PRODUCT OR CIRCUIT DESCRIBED HEREIN; NEITHER DOES IT CONVEY ANY LICENSE UNDER ITS PATENT RIGHTS, NOR THE RIGHTS OF OTHERS.

### LIFE SUPPORT POLICY

FAIRCHILD'S PRODUCTS ARE NOT AUTHORIZED FOR USE AS CRITICAL COMPONENTS IN LIFE SUPPORT DEVICES OR SYSTEMS WITHOUT THE EXPRESS WRITTEN APPROVAL OF THE PRESIDENT OF FAIRCHILD SEMICONDUCTOR CORPORATION. As used herein:

1. Life support devices or systems are devices or systems which, (a) are intended for surgical implant into the body, or (b) support or sustain life, and (c) whose failure to perform when properly used in accordance with instructions for use provided in the labeling, can be reasonably expected to result in a significant injury of the user.
2. A critical component in any component of a life support device or system whose failure to perform can be reasonably expected to cause the failure of the life support device or system, or to affect its safety or effectiveness.