

UTC TDA2003 LINEAR INTEGRATED CIRCUIT

10W CAR RADIO AUDIO AMPLIFIER

DESCRIPTION

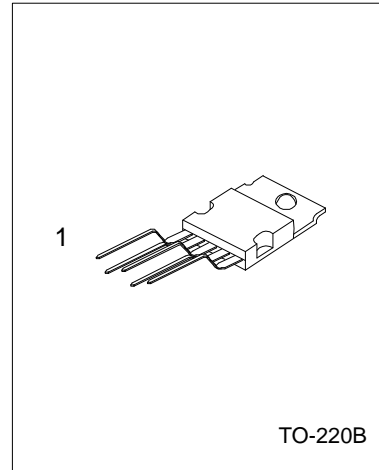
The UTC TDA2003 is a monolithic audio power amplifier integrated circuit.

FEATURES

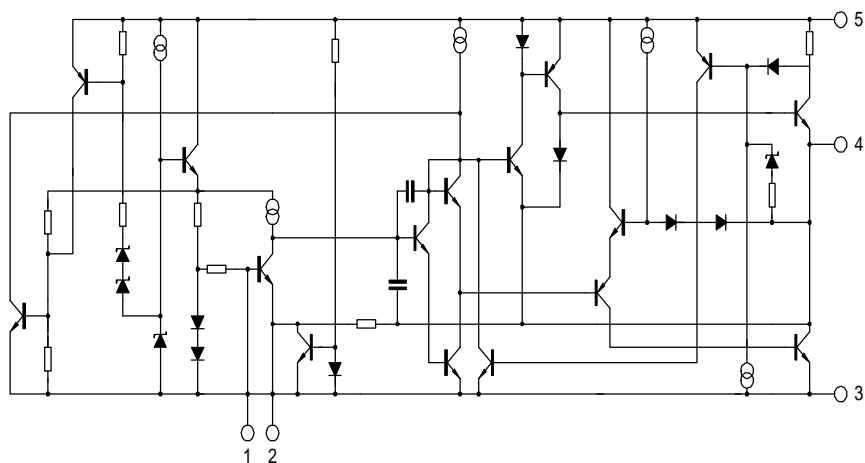
- *Very low external component required.
- *High current output (up to 3 A).
- *Low harmonic and crossover distortion.
- *Built-in Over temperature protection.
- *Short circuit protection between all pins.

PIN CONFIGURATIONS

- 1 Non inverting input
- 2 Inverting input
- 3 Ground
- 4 Output
- 5 Supply Voltage



BLOCK DIAGRAM



UTC TDA2003 LINEAR INTEGRATED CIRCUIT

ABSOLUTE MAXIMUM RATINGS(Ta=25°C)

PARAMETER	SYMBOL	VALUE	UNIT
Peak Supply Voltage	Vs	40	V
DC Supply Voltage	Vs	28	V
Operating Supply Voltage	Vs	18	V
Output Peak Current (repetitive)	Io	3.5	A
Output Peak Current (non repetitive)	Io	4.5	A
Power Dissipation at Tcase = 90°C	Ptot	20	W
Storage Temperature	Tstg	-40~+150	°C
Junction Temperature	Tj	-40~+150	°C

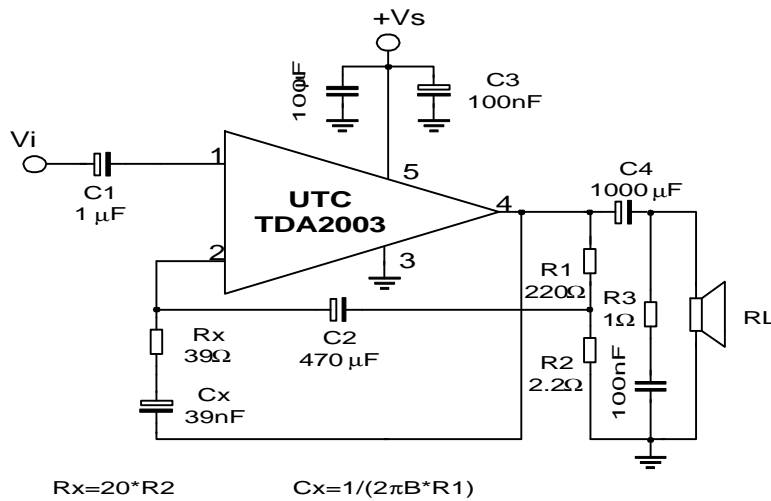
ELECTRICAL CHARACTERISTICS(Refer to the test circuit,Vs=±16V,Ta=25°C)

PARAMETER	SYMBOL	TEST CONDITIONS	MIN	TYP	MAX	UNIT
DC CHARACTERISTICS						
Supply Voltage	Vs		8		18	V
Quiescent Output Voltage	Vo		6.1	6.9	7.7	V
Quiescent Drain Current	Id			44	50	mA
AC CHARACTERISTICS						
Output Power	Po	d=10%,f=1kHz				W
		RL=8Ω	5.5	6		
		RL=2Ω	9	10		
		RL=3.2Ω		7.5		
Input Sensitivity	Vi	f=1kHz				mV
		Po=0.5W,RL=4Ω		14		
		Po=6W,RL=4Ω		55		
		Po=0.5W,RL=2Ω		10		
Input Saturation Voltage	Vi(rms)			300		mV
Frequency Response(-3dB)	B	Po=1W,RL=4Ω	40		15000	Hz
Distortion	D	f=1kHz				%
		Po=0.05 to 4.5W ,RL=4Ω		0.15		
		Po=0.05 to 7.5W ,RL=2Ω		0.15		
Input Resistance(Pin 1)	Ri	open loop,f=1kHz	70	150		kΩ
Input Noise Current	eN			60	200	pA
Input Noise Voltage	IN			1	5	μV
Open Loop Voltage Gain	Gvo	f=1kHz		80		dB
		f=10kHz		60		
Closed Loop Voltage Gain	Gvc	f=1kHz				dB
		RL=4Ω	39.3	40	40.3	

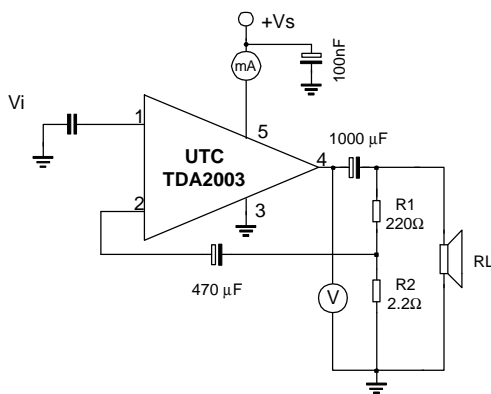
UTC TDA2003 LINEAR INTEGRATED CIRCUIT

PARAMETER	SYMBOL	TEST CONDITIONS	MIN	TYP	MAX	UNIT
Efficiency	η	f=1kHz				
		Po=6W, RL=4Ω Po=10W, RL=2Ω		69		%
Supply Voltage Rejection	SVR	f=100Hz, Vripple=0.5V Rg=10kΩ, RL=4Ω	30	36		dB

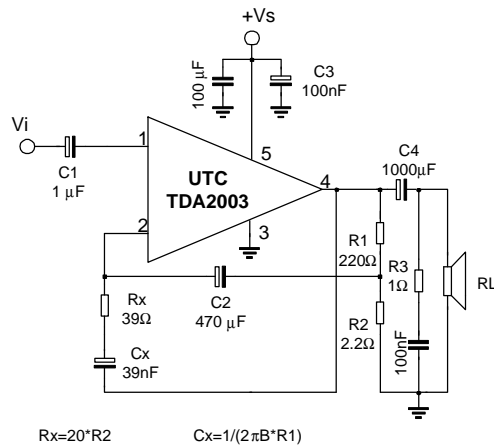
TEST CIRCUIT



DC Test Circuit



AC Test Circuit



UTC TDA2003 LINEAR INTEGRATED CIRCUIT

TYPICAL PERFORMANCE CHARACTERISTICS

Fig.1 Quiescent output voltage vs. Supply voltage

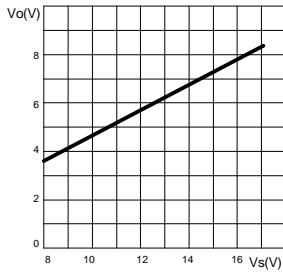


Fig.2 Quiescent drain current vs. Supply voltage

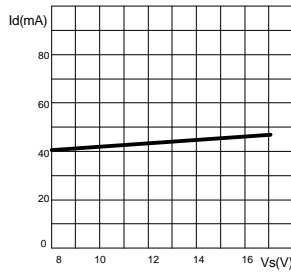


Fig.3 Output power vs. Supply voltage

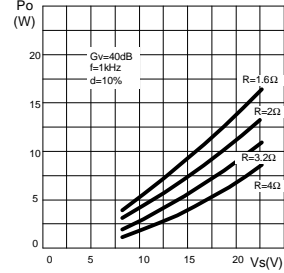


Fig.4 output power vs. load resistance

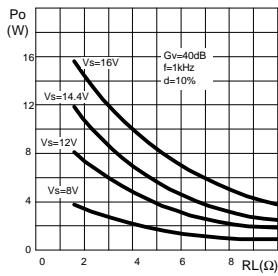


Fig.5 Gain vs. Input sensitivity

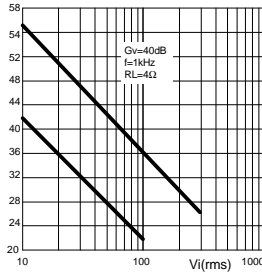


Fig.6 Gain vs. Input sensitivity

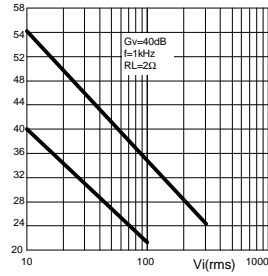


Fig.7 Distortion vs. output power

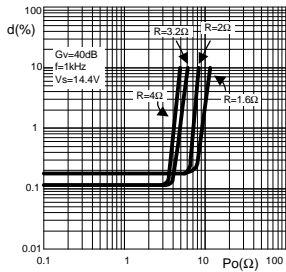


Fig.8 Distortion vs. frequency

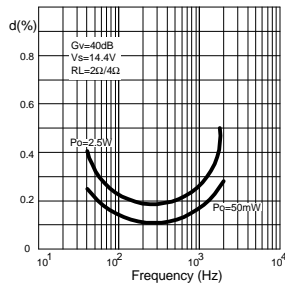
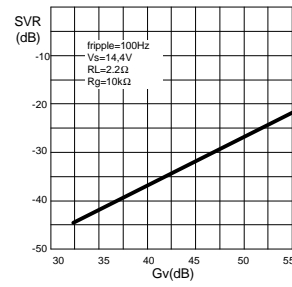


Fig.9 Supply voltage rejection vs. voltage gain



UTC TDA2003 LINEAR INTEGRATED CIRCUIT

Fig. 10 Supply voltage rejection vs. frequency

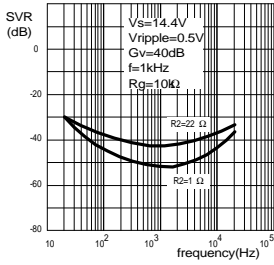


Fig. 11 Power dissipation and efficiency vs. output power (Rl=4Ω)

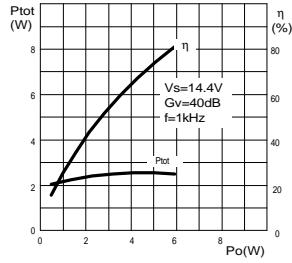


Fig. 12 Power dissipation and efficiency vs. output power (Rl=2Ω)

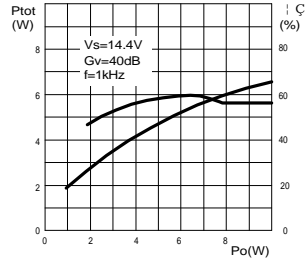


Fig. 13 Maximum Power dissipation and supply voltage (sine wave operation)

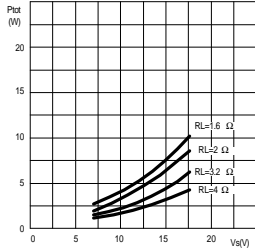


Fig. 14 Maximum allowable dissipation and ambient temperature

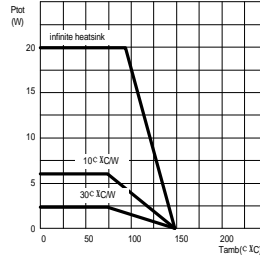
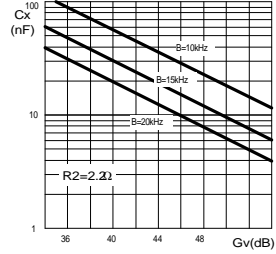


Fig. 15 Typical values of capacitor (Cx) for different values of frequency response



APPLICATION CIRCUIT

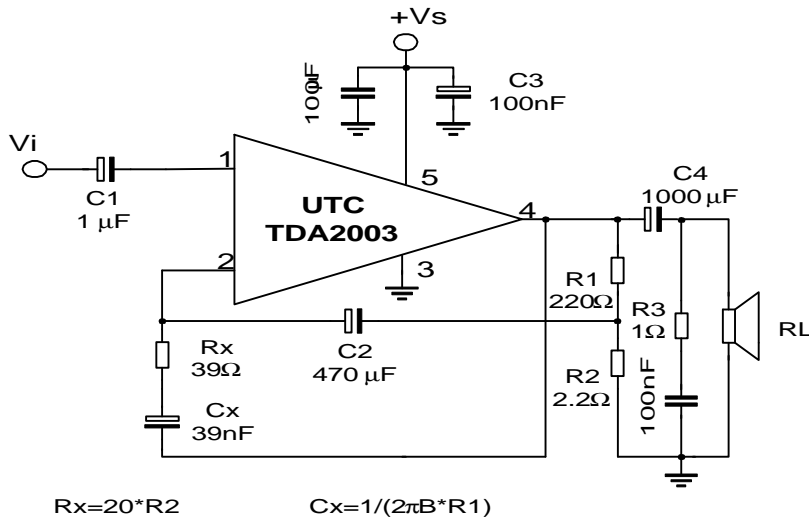


Fig 16 Typical Application Circuit

UTC TDA2003 LINEAR INTEGRATED CIRCUIT

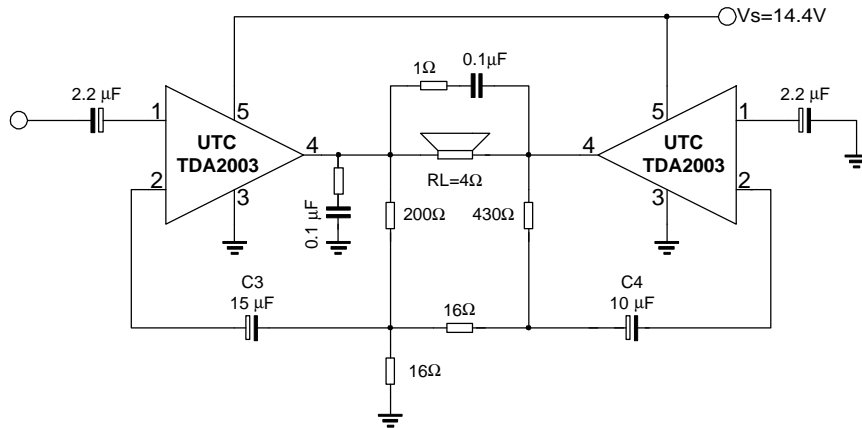


Fig.18 20W Bridge Configuration Application

The Values of the capacitors C3 and C4 are different to optimize the SVR(Typ. 40dB)

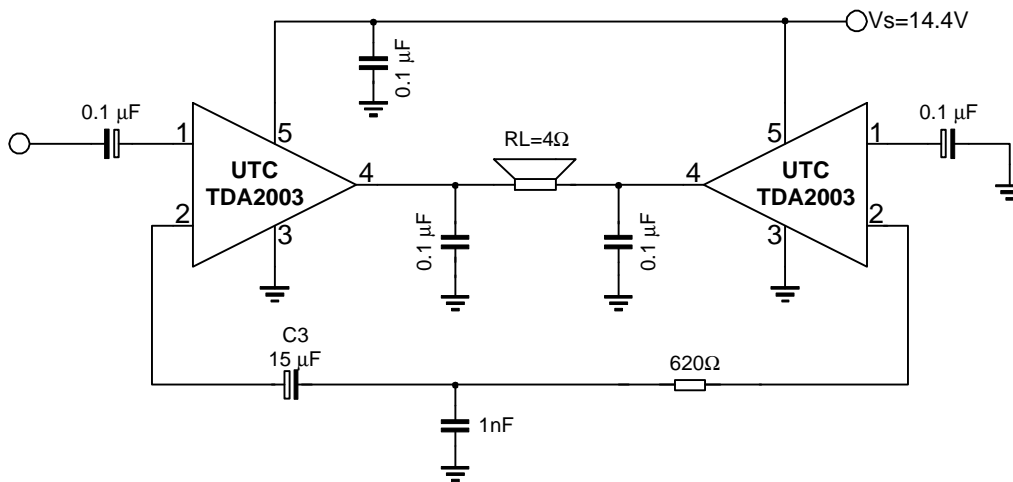


Fig.20 Low Cost Bridge Configuration Application Circuit(Po=18W)

UTC TDA2003 LINEAR INTEGRATED CIRCUIT

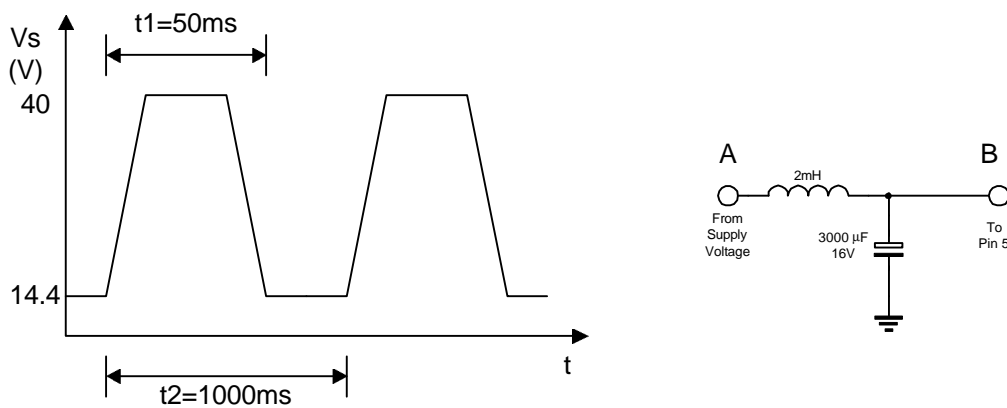
BUILT-IN PROTECTION SYSTEMS

LOAD DUMP VOLTAGE SURGE

The UTC TDA2003 has a circuit which enables it to withstand a voltage surge pulse train, on pin 5, of the type shown in Fig. 23.

If the supply voltage peaks to more than 40V, then an LC filter must be inserted between the supply and pin 5, in order to assure that the pulses at pin 5 will be held within the limits shown in Fig.22.

A suggested LC network is shown in Fig.23. With this network, a train of pulses with amplitude up to 120V and width of 2ms can be applied at point A. This type of protection is ON when the supply voltage (pulsed or DC) exceeds 18V. For this reason the maximum operating supply voltage is 18V.



SHORT CIRCUIT (AC and DC Conditions)

The UTC TDA2003 can withstand a permanent short-circuit on the output for a supply voltage up to 16V.

POLARITY INVERSION

High current (up to 5A) can be handled by the device with no damage for a longer period than the blow-out time of a quick 1A fuse (normally connected in series with the supply).

The feature is added to avoid destruction if, during fitting to the car, a mistake on connection of the supply is made.

OPEN GROUND

When the radio is in the ON condition and the ground is accidentally opened, a standard audio amplifier will be damaged. On the UTC TDA2003 protection diodes are included to avoid any damage.

INDUCTIVE LOAD

A protection diode is provided between pin 4 and pin 5 (see the internal schematic diagram) to allow use of the UTC TDA2003 with inductive loads. In particular, the UTC TDA2003 can drive a coupling transformer for audio modulation.

DC VOLTAGE

The maximum operating DC voltage on the UTC TDA2003 is 18V.

However the device can withstand a DC voltage up to 28V with no damage. This could occur during winter if two batteries were series connected to crank the engine.

UTC TDA2003 LINEAR INTEGRATED CIRCUIT

THERMAL SHUT-DOWN

The presence of a thermal limiting circuit offers the following advantages:

- 1).an overload on the output (even if it is permanent),or an excessive ambient temperature can be easily withstood.
- 2).the heat-sink can have a smaller factor compared with that of a conventional circuit. There is no device damage in case of excessive junction temperature: all that happens is that P_o (and there P_{tot}) and I_d are reduced.

APPLICATION SUGGESTION

The recommended values of the components are those shown on application circuit of Fig.16. Different values can be used. The following table can help the designer.

COMPONENT	RECOMMENDED VALUE	PURPOSE	LARGE THAN RECOMMENDED VALUE	LARGE THAN RECOMMENDED VALUE
R1	$(G_v-1)*R_2$	gain setting.		increase of Gain
R2	2.2π	gain and SVR setting.	Decrease of SVR	
R3	1Ω	Frequency stability	Danger of oscillation at high frequencies with inductive loads.	
R _x	$\approx 20R_2$	Upper frequency cutoff	Poor high frequencies attenuation	Dange of oscillation
C1	$2.2\mu F$	Input DC decoupling		Noise at switch-on switch-off
C2	$470\mu F$	Ripple rejection		Decrease of SVR
C3	$0.1\mu F$	Supply voltage bypass		Dange of oscillation
C4	$100\mu F$	Supply voltage bypass		Higher low frequency cutoff
C5	$0.1\mu F$	Frequency stability		Danger of oscillation at high frequencies with inductive loads.
C _x	$\approx 1/(2\pi*B*R_1)$	Upper frequency cutoff	smaller bandwidth	Larger bandwidth