

# UTC TIP32C

# PNP EXPITAXIAL PLANAR TRANSISTOR

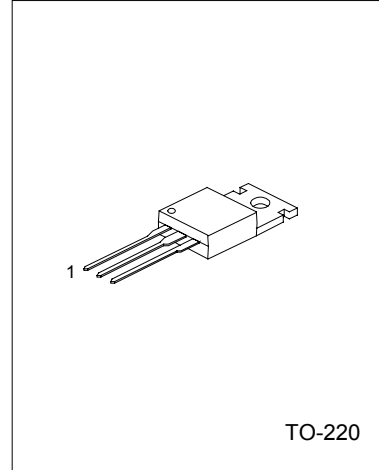
## PNP EXPITAXIAL PLANAR TRANSISTOR

### DESCRIPTION

The UTC TIP32C is a PNP expitaxial planar transistor, designed for using in general purpose amplifier and switching applications.

### FEATURE

\*Complement to tip31C



1:BASE 2:COLLECTOR 3:EMITTER

### ABSOLUTE MAXIMUM RATINGS

PARAMETER	SYMBOL	VALUE	UNITS
Collector Base Voltage	V <sub>CBO</sub>	-100	V
Collector to Emitter Voltage	V <sub>CEO</sub>	-100	V
Emitter To Base Voltage	V <sub>EBO</sub>	-5	V
Collector Current(DC)	I <sub>c</sub>	-3	A
Collector Current(Pulse)	I <sub>c</sub>	-5	A
Base Current	I <sub>B</sub>	-1	A
Collector Dissipation(T <sub>c</sub> =25°C)	P <sub>c</sub>	40	W
Collector Dissipation(T <sub>a</sub> =25°C)	P <sub>c</sub>	2	W
Junction Temperature	T <sub>j</sub>	150	°C
Storage Temperature	T <sub>stg</sub>	-65 ~ +150	°C

### ELECTRICAL CHARACTERISTICS(T<sub>c</sub>=25°C)

PARAMETER	SYMBOL	TEST CONDITIONS	MIN	TYP	MAX	UNIT
Collector emitter Sustaining voltage(*)	BV <sub>CEO</sub>	I <sub>c</sub> =-30mA, I <sub>B</sub> =0	-100			V
Collector Cutoff Current	I <sub>CEs</sub>	V <sub>CE</sub> =-100V, V <sub>EB</sub> =0			-200	μA
Collector Cutoff Current	I <sub>CEO</sub>	V <sub>CE</sub> =-60V, I <sub>B</sub> =0			-0.3	mA
Emitter Cutoff current	I <sub>EBO</sub>	V <sub>BE</sub> =-5V, I <sub>c</sub> =0			-1	mA
Collector-Emitter saturation Voltage(*)	V <sub>CE(sat)</sub>	I <sub>c</sub> =-3A, I <sub>B</sub> =-375mA			-1.2	V
Base-Emitter On voltage(*)	V <sub>BE(on)</sub>	I <sub>c</sub> =-3A, V <sub>CE</sub> =-4A			-1.8	V
DC Current Gain(*)	h <sub>FE1</sub>	I <sub>c</sub> =-1A, V <sub>CE</sub> =-4V	25			
		I <sub>c</sub> =-3A, V <sub>CE</sub> =-4V	10		50	
Current Gain Bandwidth Product	f <sub>T</sub>	I <sub>c</sub> =-0.5A, V <sub>CE</sub> =-10V f=1MHz	3			MHz

\*Pulse Test: PW<=300μs, Duty Cycle<=2%

