

DATA SHEET

SAA1057

Radio tuning PLL frequency
synthesizer

Product specification
File under Integrated Circuits, IC01

November 1983

Radio tuning PLL frequency synthesizer

SAA1057

GENERAL DESCRIPTION

The SAA1057 is a single chip frequency synthesizer IC in I^2L technology, which performs all the tuning functions of a PLL radio tuning system. The IC is applicable to all types of radio receivers, e.g. car radios, hi-fi radios and portable radios.

Features

- On-chip prescaler with up to 120 MHz input frequency.
- On-chip AM and FM input amplifiers with high sensitivity (30 mV and 10 mV respectively).
- Low current drain (typically 16 mA for AM and 20 mA for FM) over a wide supply voltage range (3,6 V to 12 V).
- On-chip amplifier for loop filter for both AM and FM (up to 30 V tuning voltage).
- On-chip programmable current amplifier (charge pump) to adjust the loop gain.
- Only one reference frequency for both AM and FM.
- High signal purity due to a sample and hold phase detector for the in-lock condition.
- High tuning speed due to a powerful digital memory phase detector during the out-lock condition.
- Tuning steps for AM are: 1 kHz or 1,25 kHz for a VCO frequency range of 512 kHz to 32 MHz.
- Tuning steps for FM are: 10 kHz or 12,5 kHz for a VCO frequency range of 70 MHz to 120 MHz.
- Serial 3-line bus interface to a microcomputer.
- Test/features.

QUICK REFERENCE DATA

Supply voltage ranges	V_{CC1}	3,6 to 12	V
	V_{CC2}	3,6 to 12	V
	V_{CC3}	V_{CC2} to 31	V
Supply currents	$I_{CC1} + I_{CC2}$	typ. 18	mA
	I_{CC3}	typ. 0,8	mA
Input frequency ranges			
	at pin FAM	f_{FAM}	512 kHz to 32 MHz
at pin FFM	f_{FFM}	70 to 120	MHz
Maximum crystal input frequency	f_{XTAL}	> 4	MHz
Operating ambient temperature range	T_{amb}	-25 to + 80	°C

PACKAGE OUTLINE

18-lead DIL; plastic (SOT102H); SOT102-1; 1996 September 2.

Radio tuning PLL frequency synthesizer

SAA1057

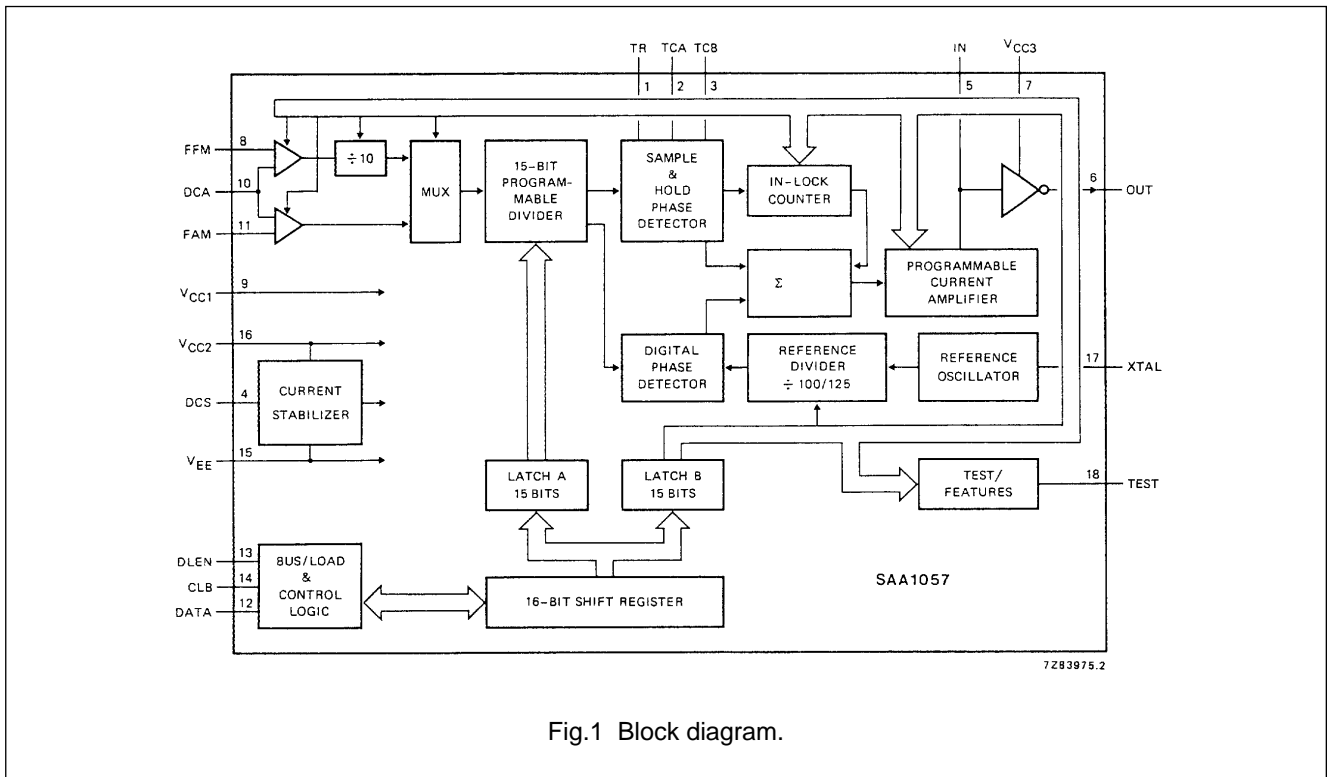


Fig.1 Block diagram.

GENERAL DESCRIPTION

The SAA1057 performs the entire PLL synthesizer function (from frequency inputs to tuning voltage output) for all types of radios with the AM and FM frequency ranges.

The circuit comprises the following:

- Separate input amplifiers for the AM and FM VCO-signals.
- A divider-by-10 for the FM channel.
- A multiplexer which selects the AM or FM input.
- A 15-bit programmable divider for selecting the required frequency.
- A sample and hold phase detector for the in-lock condition, to achieve the high spectral purity of the VCO signal.
- A digital memory frequency/phase detector, which operates at a 32 times higher frequency than the sample and hold phase detector, so fast tuning can be achieved.
- An in-lock counter detects when the system is in-lock. The digital phase detector is switched-off automatically when an in-lock condition is detected.
- A reference frequency oscillator followed by a reference divider. The frequency is generated by a 4 MHz quartz crystal. The reference frequency can be chosen either 32 kHz or 40 kHz for the digital phase detector (that means 1 kHz and 1,25 kHz for the sample and hold phase detector), which results in tuning steps of 1 kHz and 1,25 kHz for AM, and 10 kHz and 12,5 kHz for FM.
- A programmable current amplifier (charge pump), which controls the output current of both the digital and the sample/hold phase detector in a range of 40 dB. It also allows the loop gain of the tuning system to be adjusted by the microcomputer.
- A tuning voltage amplifier, which can deliver a tuning voltage of up to 30 V.
- BUS; this circuitry consists of a format control part, a 16-bit shift register and two 15-bit latches. Latch A contains the to be tuned frequency information in a binary code. This binary-coded number, multiplied by the tuning spacing, is equal to the synthesized frequency. The programmable divider (without the fixed divide-by-10 prescaler for FM) can be programmed in a range between 512 and 32 767 (see Fig.3). Latch B contains the control information.

Radio tuning PLL frequency synthesizer

SAA1057

OPERATION DESCRIPTION**Control information**

The following functions can be controlled with the data word bits in latch B. For data word format and bit position see Fig.3.

FM	FM/AM selection; '1' = FM, '0' = AM
REFH	reference frequency selection; '1' = 1,25 kHz, '0' = 1 kHz (sample and hold phase detector)
CP3	control bits for the programmable current amplifier (see section Characteristics)
CP2	
CP1	
CP0	
SB2	enables last 8 bits (SLA to T0) of data word B; '1' = enables, '0' = disables; when programmed '0', the last 8 bits of data word B will be set to '0' automatically
SLA	load mode of latch A; '1' = synchronous, '0' = asynchronous
PDM1	phase detector mode
PDM0	

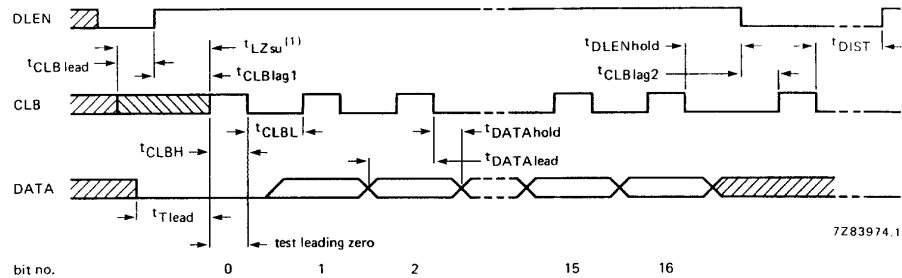
PDM1	PDM0	digital phase detector
0	X	automatic on/off
1	0	on
1	1	off

BRM	bus receiver mode bit; in this mode the supply current of the BUS receiver will be switched-off automatically after a data transmission (current-draw is reduced); '1' = current switched; '0' = current always on
T3	test bit; must be programmed always '0'
T2	test bit; selects the reference frequency (32 or 40 kHz) to the TEST pin
T1	test bit; must be programmed always '0'
T0	test bit; selects the output of the programmable counter to the TEST pin

T3	T2	T1	T0	TEST (pin 18)
0	0	0	0	1
0	1	0	0	reference frequency
0	0	0	1	output programmable counter
0	1	0	1	output in-lock counter '0' = out-lock '1' = in-lock

Radio tuning PLL frequency synthesizer

SAA1057



(1) During the zero set-up time (t_{LZsu}) CLB can be LOW or HIGH, but no transient of the signal is permitted. This can be of use when an I²C bus is used for other devices on the same data and clock lines.

Fig.2 BUS format.

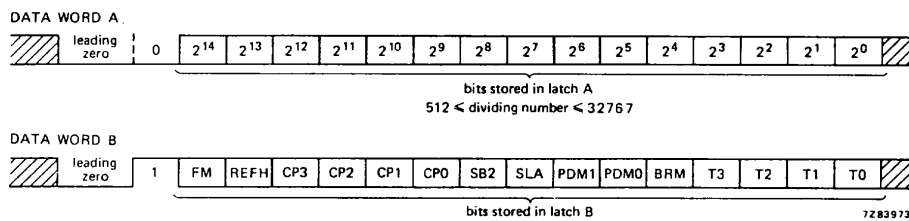


Fig.3 Bit organization of data words A and B.

Radio tuning PLL frequency synthesizer

SAA1057

PINNING

1	TR	resistor/capacitors for sample and hold circuit
2	TCA	
3	TCB	
4	DCS	decoupling of supply
5	IN	input of output amplifier
6	OUT	output of output amplifier
7	V _{CC3}	positive supply voltage of output amplifier
8	FFM	FM signal input
9	V _{CC1}	positive supply voltage of high frequency logic part
10	DCA	decoupling of input amplifiers
11	FAM	AM signal input
12	DATA	BUS
13	DLEN	
14	CLB	
15	V _{EE}	ground
16	V _{CC2}	positive supply voltage of low frequency logic part and analogue part
17	XTAL	reference oscillator input
18	TEST	test output

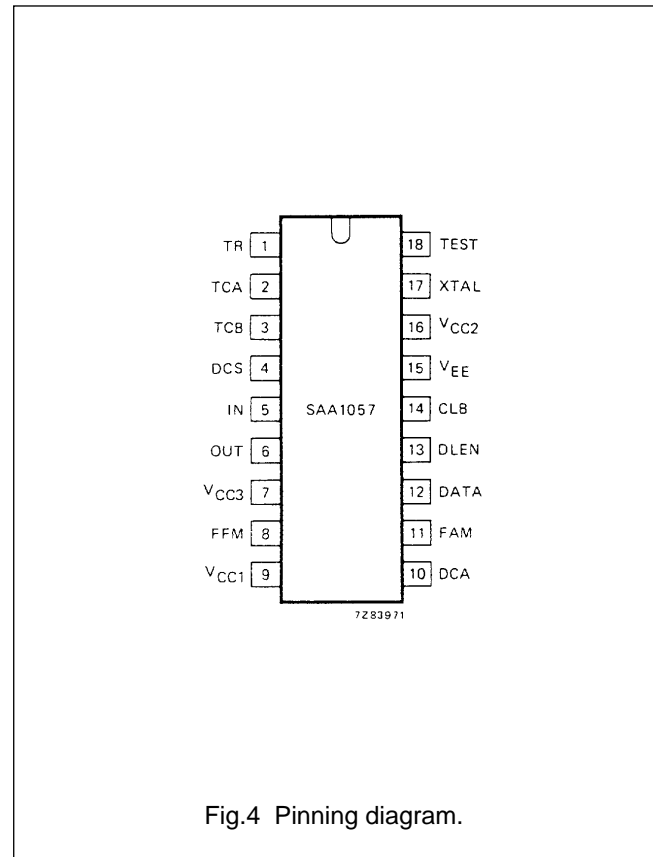


Fig.4 Pinning diagram.

RATINGS

Limiting values in accordance with the Absolute Maximum System (IEC 134)

Supply voltage; logic and analogue part	V _{CC1} ; V _{CC2}	-0,3 to 13,2	V
Supply voltage; output amplifier	V _{CC3}	V _{CC2} to +32	V
Total power dissipation	P _{tot}	max. 800	mW
Operating ambient temperature range	T _{amb}	-30 to +85	°C
Storage temperature range	T _{stg}	-65 to +150	°C

Radio tuning PLL frequency synthesizer

SAA1057

CHARACTERISTICS $V_{EE} = 0 \text{ V}$; $V_{CC1} = V_{CC2} = 5 \text{ V}$; $V_{CC3} = 30 \text{ V}$; $T_{amb} = 25 \text{ }^\circ\text{C}$; unless otherwise specified

	SYMBOL	MIN.	TYP.	MAX.	CONDITIONS
Supply voltages	V_{CC1}	3,6	5	12	V
	V_{CC2}	3,6	5	12	V
	V_{CC3}	V_{CC2}	–	31	V
Supply currents ⁽⁶⁾					
AM mode	I_{tot}	–	16	–	mA
FM mode	I_{tot}	–	20	–	mA
	I_{CC3}	0,3	0,8	1,2	mA
Operating ambient temperature	T_{amb}	–25	–	+80	$^\circ\text{C}$
RF inputs (FAM, FFM)					
AM input frequency	f_{FAM}	512 kHz	–	32	MHz
FM input frequency	f_{FFM}	70	–	120	MHz
Input voltage at FAM	$V_{i(rms)}$	30	–	500	mV
Input voltage at FFM	$V_{i(rms)}$	10	–	500	mV
Input resistance at FAM	R_i	–	2	–	k Ω
Input resistance at FFM	R_i	–	135	–	Ω
Input capacitance at FAM	C_i	–	3,5	–	pF
Input capacitance at FFM	C_i	–	3	–	pF
Voltage ratio allowed between selected and non-selected input	V_s/V_{ns}	–	–30	–	dB
Crystal oscillator (XTAL)					see note 1
Maximum input frequency	f_{XTAL}	4	–	–	MHz
Crystal series resistance	R_s	–	–	150	Ω
BUS inputs (DLEN, CLB, DATA)					
Input voltage LOW	V_{IL}	0	–	0,8	V
Input voltage HIGH	V_{IH}	2,4	–	V_{CC1}	V
Input current LOW	$-I_{IL}$	–	–	10	μA
Input current HIGH	I_{IH}	–	–	10	μA
BUS inputs timing (DLEN, CLB, DATA)					$V_{IL} = 0,8 \text{ V}$ $V_{IH} = 2,4 \text{ V}$ see also Fig.2 and note 2
Lead time for CLB to DLEN	$t_{CLBlead}$	1	–	–	μs
Lead time for DATA to the first CLB pulse	t_{Tlead}	0,5	–	–	μs
Set-up time for DLEN to CLB	$t_{CLBlag1}$	5	–	–	μs
CLB pulse width HIGH	t_{CLBH}	5	–	–	μs
CLB pulse width LOW	t_{CLBL}	5	–	–	μs

Radio tuning PLL frequency synthesizer

SAA1057

	SYMBOL	MIN.	TYP.	MAX.	CONDITIONS				
Set-up time for DATA to CLB	$t_{DATAlead}$	2	–	–	μs				
Hold time for DATA to CLB	$t_{DATAhold}$	0	–	–	μs				
Hold time for DLEN to CLB	$t_{DLENhold}$	2	–	–	μs				
Set-up time for DLEN to CLB load pulse	$t_{CLBlag2}$	2	–	–	μs				
Busy time from load pulse to next start of transmission	t_{DIST}	5	–	–	μs				
Busy time asynchronous mode	t_{DIST}	0,3	–	–	ms				
Busy time synchronous mode	t_{DIST}	1,3	–	–	ms				
Sample and hold circuit (TR, TCA, TCB)					next transmission after word 'B' to other device or next transmission to SAA1057 after word 'A' (see also note 5)				
Minimum output voltage	V_{TCA}, V_{TCB}	–	1,3	–	V				
Maximum output voltage	V_{TCA}, V_{TCB}	–	–	$V_{CC2}-0,7$	V				
Capacitance at TCA (external)	C_{TCA}	–	–	2,2	nF				
	C_{TCA}	–	–	2,7	nF				
Discharge time at TCA	t_{dis}	–	–	5	μs				
	t_{dis}	–	–	6,25	μs				
Resistance at TR	R_{TR}	100	–	–	Ω				
Voltage at TR during discharge	V_{TR}	–	0,7	–	V				
Capacitance at TCB	C_{TCB}	–	–	10	nF				
Bias current into TCA, TCB	I_{bias}	–	–	10	nA				
Programmable current amplifier (PCA)					external in-lock				
Output current of the dig. phase detector	$\pm I_{dig}$	–	0,4	–	mA				
Current gain of PCA									
	CP3	CP2	CP1	CP0					
P1	0	0	0	0	G_{P1}	–	0,023	–	$V_{CC2} \geq 5 \text{ V}$ (only for P1)
P2	0	0	0	1	G_{P2}	–	0,07	–	
P3	0	0	1	0	G_{P3}	–	0,23	–	
P4	0	1	1	0	G_{P4}	–	0,7	–	
P5	1	1	1	0	G_{P5}	–	2,3	–	

Radio tuning PLL frequency synthesizer

SAA1057

	SYMBOL	MIN.	TYP.	MAX.	CONDITIONS
Ratio between the output current of S/H into PCA and the voltage on C_{TCB}	S_{TCB}	–	1,0	–	$\mu A/V$
Offset voltage on TCB	ΔV_{TCB}	–	–	1	V in-lock
Output amplifier (IN, OUT)					
Input voltage	V_{IN}	–	1,3	–	V in-lock; equal to internal reference voltage
Output voltages					
minimum	V_{OUT}	–	–	0,5	V $-I_{OUT} = 1 \text{ mA}$
maximum	V_{OUT}	$V_{CC3}-2$	–	–	V $I_{OUT} = 1 \text{ mA}$
maximum	V_{OUT}	$V_{CC3}-1$	–	–	V $I_{OUT} = 0,1 \text{ mA}$
Maximum output current	$\pm I_{OUT}$	5	–	–	mA $V_{OUT} = \frac{1}{2} V_{CC3}$
Test output (TEST)⁽⁷⁾					
Output voltage LOW	V_{TL}	–	–	0,5	V
Output voltage HIGH	V_{TH}	–	–	12	V
Output current OFF	I_{Toff}	–	–	10	μA V_{TH}
Output current ON	I_{Ton}	150	–	–	μA V_{TL}
Ripple rejection⁽⁸⁾					
at $f_{ripple} = 100 \text{ Hz}$					
$\Delta V_{CC1}/\Delta V_{OUT}$		–	77	–	dB
$\Delta V_{CC2}/\Delta V_{OUT}$		–	70	–	dB
$\Delta V_{CC3}/\Delta V_{OUT}$		–	60	–	dB $V_{OUT} \leq V_{CC3}-3 \text{ V}$

Radio tuning PLL frequency synthesizer

SAA1057

Notes

1. Pin 17 (XTAL) can also be used as input for an external clock.
The circuit for that is given in Fig.5. The values given in Fig.5 are a typical application example.
2. See BUS information in section 'operation description'.
3. The output voltage at TCB and TCA is typically $\frac{1}{2} V_{CC2} + 0,3$ when the tuning system is in-lock via the sample and hold phase detector. The control voltage at TCB is defined as the difference between the actual voltage at TCB and the value calculated from the formula $\frac{1}{2} V_{CC2} + 0,3$ V.
4. Crystal oscillator frequency $f_{XTAL} = 4$ MHz.
5. The busy-time after word "A" to another device which has more clock pulses than the SAA1057 (>17) must be the same as the busy-time for a next transmission to the SAA1057.
When the other device has a separate DLEN or has less clock pulses than the SAA1057 it is not necessary to keep to this busy-time, 5 μ s will be sufficient.
6. When the bus is in the active mode (see BRM in Control Information), 4,5 mA should be added to the figures given.
7. Open collector output.
8. Measured in Fig.6.

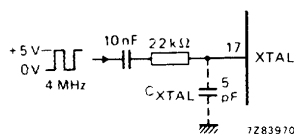


Fig.5 Circuit configuration showing external 4 MHz clock.

APPLICATION INFORMATION**Initialize procedure**

Either a train of at least 10 clock pulses should be applied to the clock input (CLB) or word B should be transmitted, to achieve proper initialization of the device.

For the complete initialization (defining all control bits) a transmission of word B should follow. This means that the IC is ready to accept word A.

Synchronous/asynchronous operation

Synchronous loading of the frequency word into the programmable counter can be achieved when bit 'SLA' of word B is set to '1'. This mode should be used for small frequency steps where low tuning noise is important (e.g. search and manual tuning). This mode should not be used for frequency changes of more than 31 tuning steps. In this case asynchronous loading is necessary. This is achieved by setting bit 'SLA' to '0'. The in-lock condition will then be reached more quickly, because the frequency information is loaded immediately into the divider.

Restrictions to the use of the programmable current amplifier

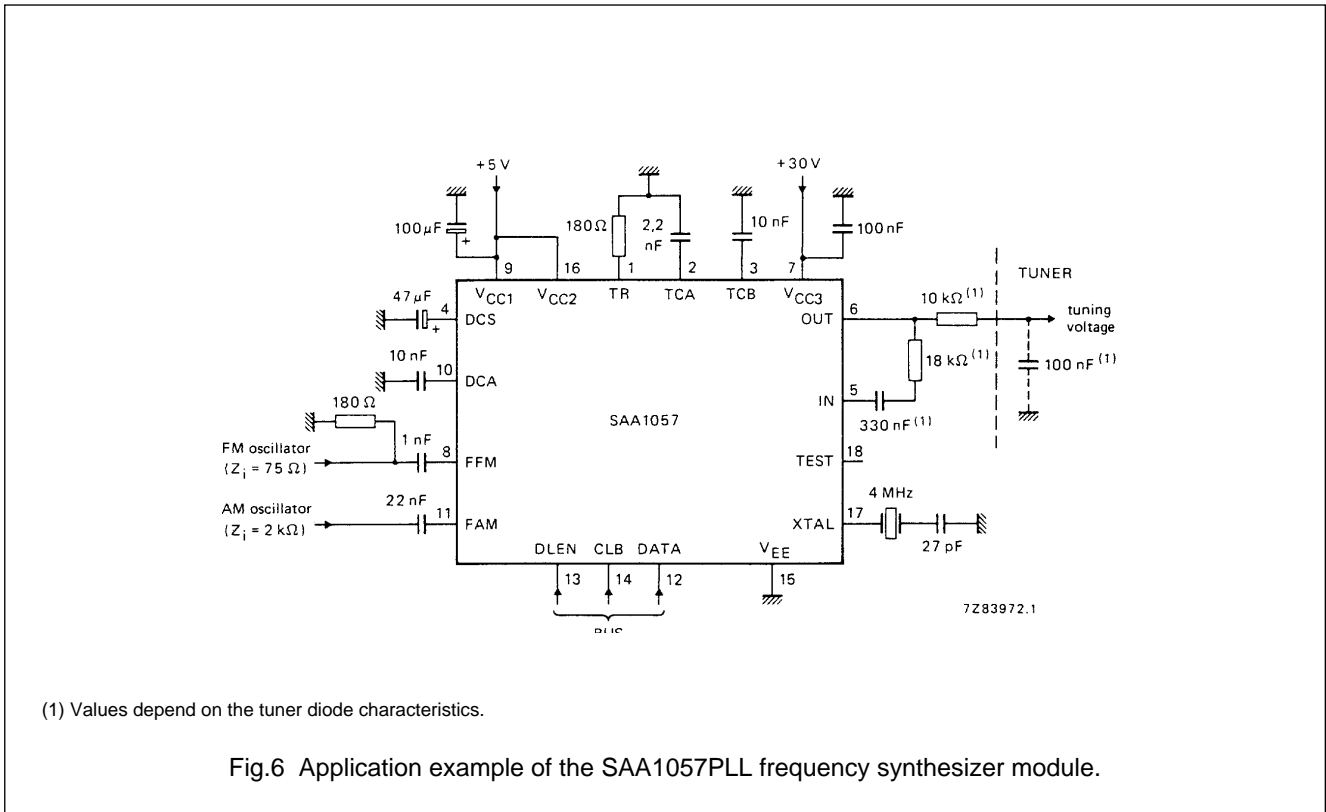
The lowest current gain (0,023) must not be used in the in-lock condition when the supply voltage V_{CC2} is below 5 V (CP3, CP2, CP1 and CP0 are all set to '0'). This is to avoid possible instability of the loop due to a too small range of the sample and hold phase detector in this condition (see also section 'Characteristics').

Radio tuning PLL frequency synthesizer

SAA1057

Transient times of the bus signals

When the SAA1057 is operating in a system with continuous activity on the bus lines, the transient times at the bus inputs should not be less than 100 ns. Otherwise the signal-to-noise ratio of the tuning voltage is reduced.



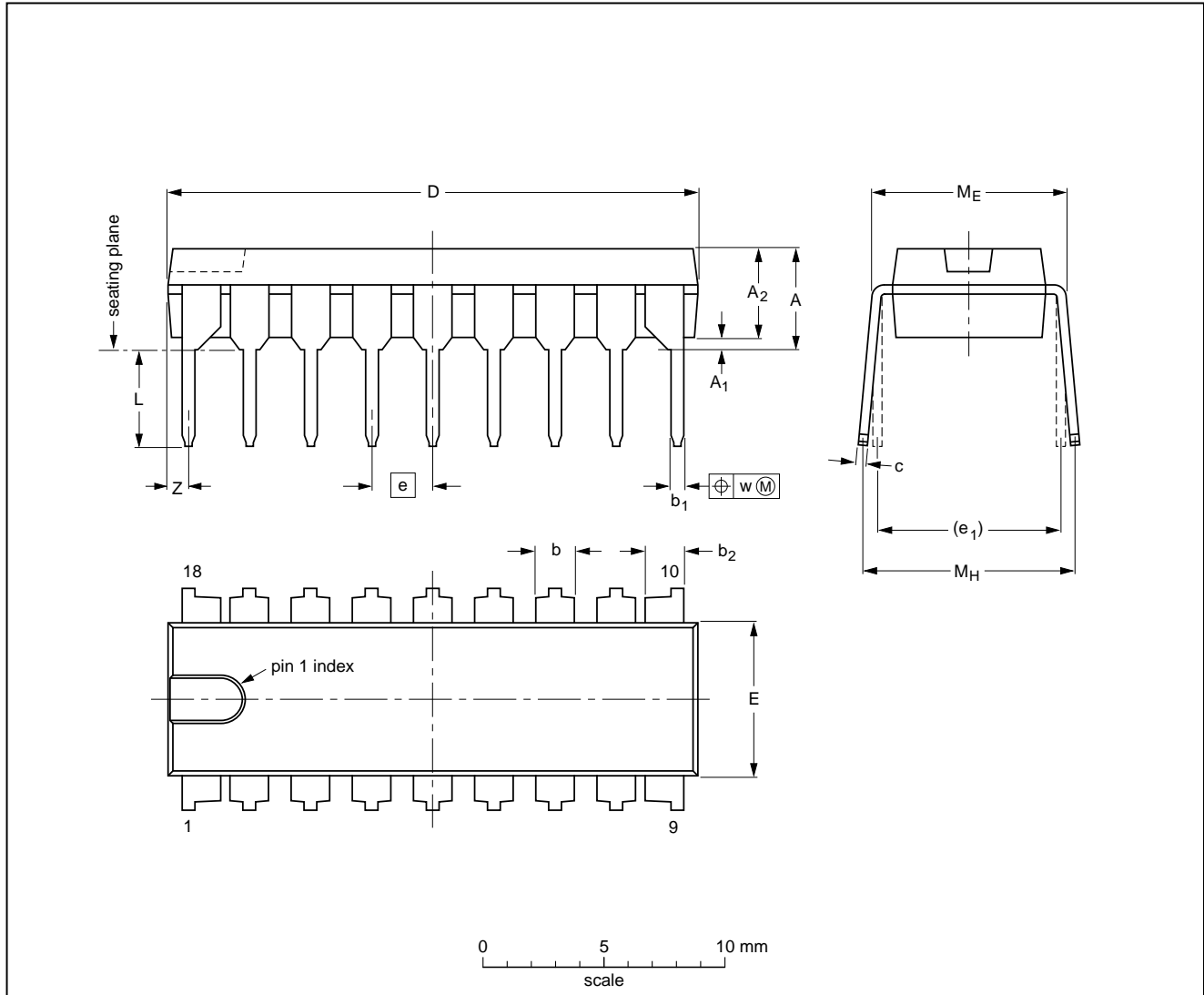
Radio tuning PLL frequency synthesizer

SAA1057

PACKAGE OUTLINE

DIP18: plastic dual in-line package; 18 leads (300 mil)

SOT102-1



DIMENSIONS (inch dimensions are derived from the original mm dimensions)

UNIT	A max.	A ₁ min.	A ₂ max.	b	b ₁	b ₂	c	D ⁽¹⁾	E ⁽¹⁾	e	e ₁	L	M _E	M _H	w	Z ⁽¹⁾ max.
mm	4.7	0.51	3.7	1.40 1.14	0.53 0.38	1.40 1.14	0.32 0.23	21.8 21.4	6.48 6.20	2.54	7.62	3.9 3.4	8.25 7.80	9.5 8.3	0.254	0.85
inches	0.19	0.020	0.15	0.055 0.044	0.021 0.015	0.055 0.044	0.013 0.009	0.86 0.84	0.26 0.24	0.10	0.30	0.15 0.13	0.32 0.31	0.37 0.33	0.01	0.033

Note

1. Plastic or metal protrusions of 0.25 mm maximum per side are not included.

OUTLINE VERSION	REFERENCES				EUROPEAN PROJECTION	ISSUE DATE
	IEC	JEDEC	EIAJ			
SOT102-1						93-10-14 95-01-23

Radio tuning PLL frequency synthesizer

SAA1057

SOLDERING

Introduction

There is no soldering method that is ideal for all IC packages. Wave soldering is often preferred when through-hole and surface mounted components are mixed on one printed-circuit board. However, wave soldering is not always suitable for surface mounted ICs, or for printed-circuits with high population densities. In these situations reflow soldering is often used.

This text gives a very brief insight to a complex technology. A more in-depth account of soldering ICs can be found in our "IC Package Databook" (order code 9398 652 90011).

Soldering by dipping or by wave

The maximum permissible temperature of the solder is 260 °C; solder at this temperature must not be in contact with the joint for more than 5 seconds. The total contact time of successive solder waves must not exceed 5 seconds.

The device may be mounted up to the seating plane, but the temperature of the plastic body must not exceed the specified maximum storage temperature ($T_{stg\ max}$). If the printed-circuit board has been pre-heated, forced cooling may be necessary immediately after soldering to keep the temperature within the permissible limit.

Repairing soldered joints

Apply a low voltage soldering iron (less than 24 V) to the lead(s) of the package, below the seating plane or not more than 2 mm above it. If the temperature of the soldering iron bit is less than 300 °C it may remain in contact for up to 10 seconds. If the bit temperature is between 300 and 400 °C, contact may be up to 5 seconds.

DEFINITIONS

Data sheet status	
Objective specification	This data sheet contains target or goal specifications for product development.
Preliminary specification	This data sheet contains preliminary data; supplementary data may be published later.
Product specification	This data sheet contains final product specifications.
Limiting values	
Limiting values given are in accordance with the Absolute Maximum Rating System (IEC 134). Stress above one or more of the limiting values may cause permanent damage to the device. These are stress ratings only and operation of the device at these or at any other conditions above those given in the Characteristics sections of the specification is not implied. Exposure to limiting values for extended periods may affect device reliability.	
Application information	
Where application information is given, it is advisory and does not form part of the specification.	

LIFE SUPPORT APPLICATIONS

These products are not designed for use in life support appliances, devices, or systems where malfunction of these products can reasonably be expected to result in personal injury. Philips customers using or selling these products for use in such applications do so at their own risk and agree to fully indemnify Philips for any damages resulting from such improper use or sale.