

### General Description

The MIC5018 IttyBitty™ high-side MOSFET driver is designed to switch an N-channel enhancement-type MOSFET from a TTL compatible control signal in high- or low-side switch applications. This driver features the tiny 4-lead SOT-143 package.

The MIC5018 is powered from a +2.7V to +9V supply and features extremely low off-state supply current. An internal charge pump drives the gate output higher than the driver supply voltage and can sustain the gate voltage indefinitely. An internal zener diode limits the gate-to-source voltage to a safe level for standard N-channel MOSFETs.

In high-side configurations, the source voltage of the MOSFET approaches the supply voltage when switched on. To keep the MOSFET turned on, the MIC5018's output drives the MOSFET gate voltage higher than the supply voltage. In a typical high-side configuration, the driver is powered from the load supply voltage. Under some conditions, the MIC5018 and MOSFET can switch a load voltage that is slightly higher than the driver supply voltage.

In a low-side configuration, the driver can control a MOSFET that switches any voltage up to the rating of the MOSFET. The gate output voltage is higher than the typical 3.3V or 5V logic supply and can fully enhance a standard MOSFET.

The MIC5018 is available in the SOT-143 package and is rated for -40°C to +85°C ambient temperature range.

### Features

- +2.7V to +9V operation
- 150µA typical supply current at 5V supply
- ≤ 1µA typical standby (off) current
- Charge pump for high-side low-voltage applications
- Internal zener diode gate-to-ground MOSFET protection
- Operates in low- and high-side configurations
- TTL compatible input
- ESD protected

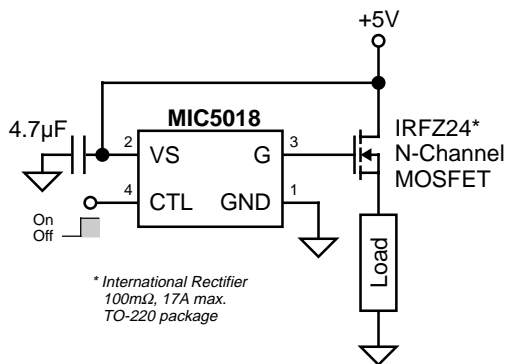
### Applications

- Battery conservation
- Power bus switching
- Solenoid and motion control
- Lamp control

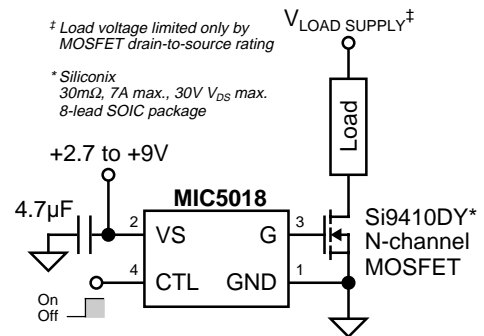
### Ordering Information

Part Number	Temp. Range	Package	Marking
MIC5018BM4	-40°C to +85°C	SOT-143	H10

### Typical Applications



Low-Voltage High-Side Power Switch



Low-Side Power Switch

## Pin Configuration



## Pin Description

Pin Number	Pin Name	Pin Function
1	GND	Ground: Power return.
2	VS	Supply (Input): +2.7V to +9V supply.
3	G	Gate (Output): Gate connection to external MOSFET.
4	CTL	Control (Input): TTL compatible on/off control input. Logic high drives the gate output above the supply voltage. Logic low forces the gate output near ground.

## Absolute Maximum Ratings

Supply Voltage ( $V_{\text{SUPPLY}}$ )	+10V	Lead Temperature, Soldering 10sec.	300°C
Control Voltage ( $V_{\text{CTL}}$ )	-0.6V to +16V	Package Thermal Resistance	
Gate Voltage ( $V_{\text{G}}$ )	+16V	SOT-143 $\theta_{\text{JA}}$	220°C/W
Ambient Temperature Range ( $T_{\text{A}}$ )	-40°C to +85°C	SOT-143 $\theta_{\text{JC}}$	130°C/W

## Electrical Characteristics

Parameter	Condition (Note 1)	Min	Typ	Max	Units
Supply Current	$V_{\text{SUPPLY}} = 3.3\text{V}$ $V_{\text{CTL}} = 0\text{V}$ $V_{\text{CTL}} = 3.3\text{V}$		0.01 70	1 140	$\mu\text{A}$ $\mu\text{A}$
	$V_{\text{SUPPLY}} = 5\text{V}$ $V_{\text{CTL}} = 0\text{V}$ $V_{\text{CTL}} = 5\text{V}$		0 150	1 300	$\mu\text{A}$ $\mu\text{A}$
Control Input Voltage	$2.7\text{V} \leq V_{\text{SUPPLY}} \leq 9\text{V}$ $V_{\text{CTL}}$ for logic 0 input	0		0.8	V
	$2.7\text{V} \leq V_{\text{SUPPLY}} \leq 5\text{V}$ $V_{\text{CTL}}$ for logic 1 input	2.0		$V_{\text{SUPPLY}}$	V
	$5\text{V} \leq V_{\text{SUPPLY}} \leq 9\text{V}$ $V_{\text{CTL}}$ for logic 1 input	2.4		$V_{\text{SUPPLY}}$	V
Control Input Current	$2.7\text{V} \leq V_{\text{SUPPLY}} \leq 9\text{V}$		0.01	1	$\mu\text{A}$
Control Input Capacitance	<b>Note 2</b>		5		pF
Zener Diode Output Clamp	$V_{\text{SUPPLY}} = 9\text{V}$	13	16	19	V
Gate Output Voltage	$V_{\text{SUPPLY}} = 2.7\text{V}$	6.3	7.1		V
	$V_{\text{SUPPLY}} = 3.0\text{V}$	7.1	8.2		V
	$V_{\text{SUPPLY}} = 4.5\text{V}$	11.4	13.4		V
Gate Output Current	$V_{\text{SUPPLY}} = 5\text{V}$ $V_{\text{OUT}} = 10\text{V}$ , <b>Note 3</b>		9.5		$\mu\text{A}$
Gate Turn-On Time	$V_{\text{SUPPLY}} = 4.5\text{V}$ $C_{\text{L}} = 1000\text{pF}$ , <b>Note 4</b> $C_{\text{L}} = 3000\text{pF}$ , <b>Note 4</b>		0.75 2.1	1.5 4.2	ms ms
Gate Turn-Off Time	$V_{\text{SUPPLY}} = 4.5\text{V}$ $C_{\text{L}} = 1000\text{pF}$ , <b>Note 5</b> $C_{\text{L}} = 3000\text{pF}$ , <b>Note 5</b>		10 30	20 60	$\mu\text{s}$ $\mu\text{s}$

**General Note:** Devices are ESD protected, however handling precautions are recommended.

**Note 1:** Typical values at  $T_{\text{A}} = 25^{\circ}\text{C}$ . Minimum and maximum values indicate performance at  $-40^{\circ}\text{C} \geq T_{\text{A}} \geq +85^{\circ}\text{C}$ . Parts production tested at  $25^{\circ}\text{C}$ .

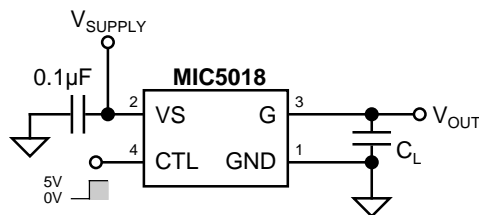
**Note 2:** Guaranteed by design.

**Note 3:** Resistive load selected for  $V_{\text{OUT}} = 10\text{V}$ .

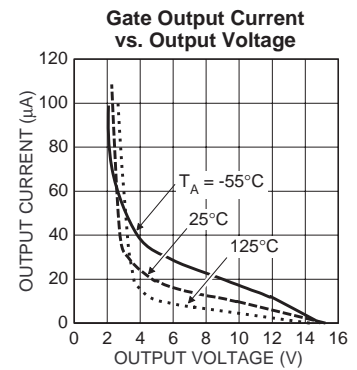
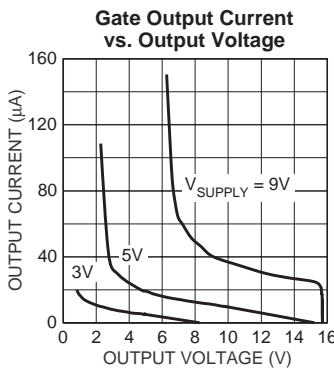
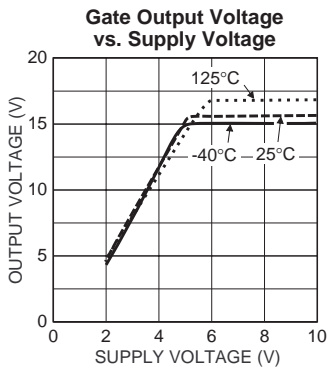
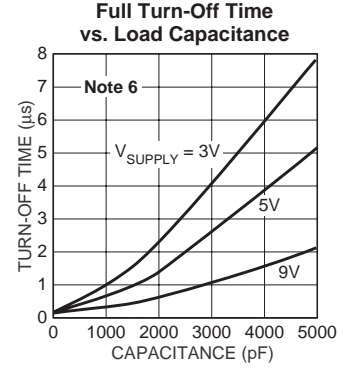
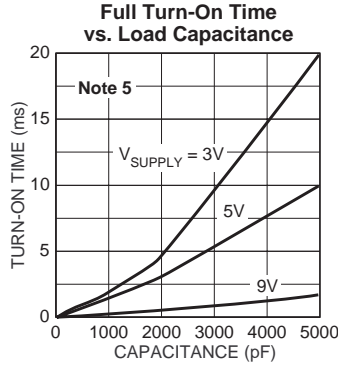
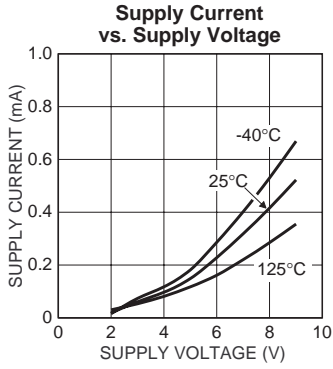
**Note 4:** Turn-on time is the time required for gate voltage to rise to 4V greater than the supply voltage. This represents a typical MOSFET gate threshold voltage.

**Note 5:** Turn-off time is the time required for the gate voltage to fall to 4V above the supply voltage. This represents a typical MOSFET gate threshold voltage.

## Test Circuit



Typical Characteristics Note 4

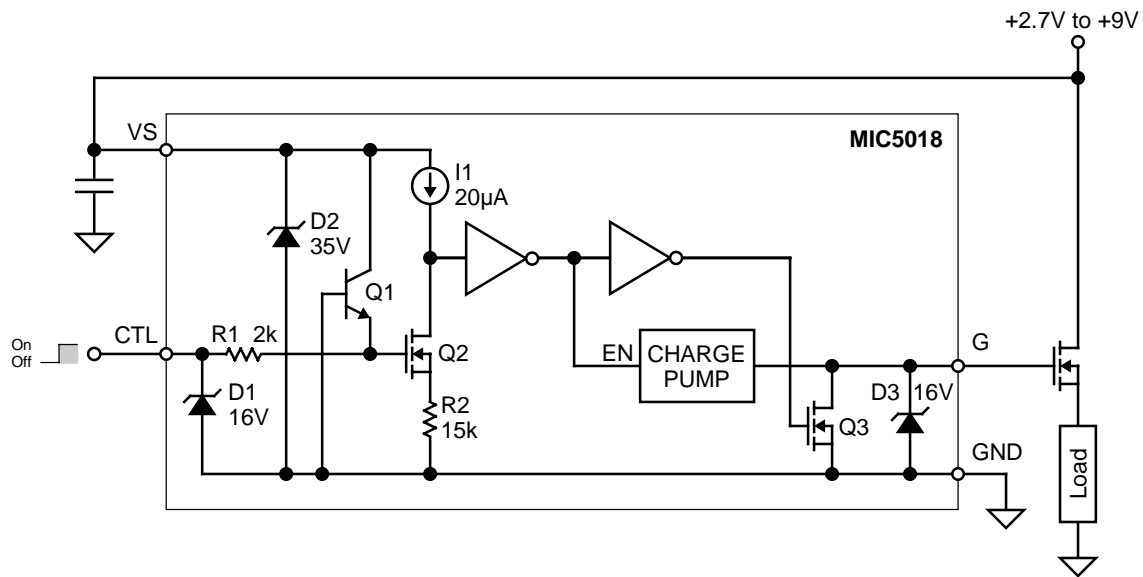


**Note 4:**  $T_A = 25^\circ\text{C}$ ,  $V_{\text{SUPPLY}} = 5\text{V}$  unless noted.

**Note 5:** Full turn-on time is the time between  $V_{\text{CTL}}$  rising to 2.5V and the  $V_G$  rising to 90% of its steady on-state value.

**Note 6:** Full turn-off time is the time between  $V_{\text{CTL}}$  falling to 0.5V and the  $V_G$  falling to 10% of its steady on-state value.

## Functional Diagram



Functional Diagram with External Components  
(High-Side Driver Configuration)

## Functional Description

Refer to the functional diagram.

The MIC5018 is a noninverting device. Applying a logic high signal to CTL (control input) produces gate drive output. The G (gate) output is used to turn on an external N-channel MOSFET.

### Supply

VS (supply) is rated for +2.7V to +9V. An external capacitor is recommended to decouple noise.

### Control

CTL (control) is a TTL compatible input. CTL must be forced high or low by an external signal. A floating input may cause unpredictable operation.

A high input turns on Q2, which sinks the output of current source I1, making the input of the first inverter low. The inverter output becomes high enabling the charge pump.

### Charge Pump

The charge pump is enabled when CTL is logic high. The charge pump consists of an oscillator and voltage quadrupler

(4×). Output voltage is limited to 16V by a zener diode. The charge pump output voltage will be approximately:

$$V_G = 4 \times V_{\text{SUPPLY}} - 2.8V, \text{ but not exceeding } 16V.$$

The oscillator operates from approximately 70kHz to approximately 100kHz depending upon the supply voltage and temperature.

### Gate Output

The charge pump output is connected directly to the G (gate) output. The charge pump is active only when CTL is high. When CTL is low, Q3 is turned on by the second inverter and discharges the gate of the external MOSFET to force it off.

If CTL is high, and the voltage applied to VS drops to zero, the gate output will be floating (unpredictable).

### ESD Protection

D1 and D2 clamp positive and negative ESD voltages. R1 isolates the gate of Q2 from sudden changes on the CTL input. Q1 turns on if the emitter (CTL input) is forced below ground to provide additional input protection. Zener D3 also clamps ESD voltages for the gate (G) output.

## Application Information

### Supply Bypass

A capacitor from VS to GND is recommended to control switching and supply transients. Load current and supply lead length are some of the factors that affect capacitor size requirements.

A 4.7µF or 10µF aluminum electrolytic or tantalum capacitor is suitable for many applications.

The low ESR (equivalent series resistance) of tantalum capacitors makes them especially effective, but also makes them susceptible to uncontrolled inrush current from low impedance voltage sources (such as NiCd batteries or automatic test equipment). Avoid instantaneously applying voltage, capable of high peak current, directly to or near tantalum capacitors without additional current limiting. Normal power supply turn-on (slow rise time) or printed circuit trace resistance is usually adequate for normal product usage.

### MOSFET Selection

The MIC5018 is designed to drive N-channel enhancement-type MOSFETs. The gate output (G) of the MIC5018 provides a voltage, referenced to ground, that is greater than the supply voltage. Refer to the "Typical Characteristics: Gate Output Voltage vs. Supply Voltage" graph.

The supply voltage and the MOSFET drain-to-source voltage drop determine the gate-to-source voltage.

$$V_{GS} = V_G - (V_{SUPPLY} - V_{DS})$$

where:

- $V_{GS}$  = gate-to-source voltage (enhancement)
- $V_G$  = gate voltage (from graph)
- $V_{SUPPLY}$  = supply voltage
- $V_{DS}$  = drain-to-source voltage (approx. 0V at low current, or when fully enhanced)

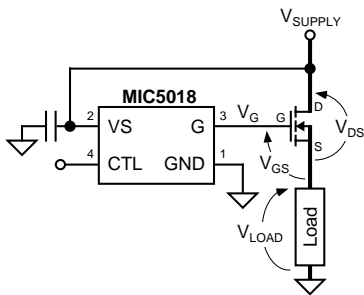


Figure 1. Voltages

The performance of the MOSFET is determined by the gate-to-source voltage. Choose the type of MOSFET according to the calculated gate-to-source voltage.

### Standard MOSFET

Standard MOSFETs are fully enhanced with a gate-to-source voltage of about 10V. Their absolute maximum gate-to-source voltage is ±20V.

With a 5V supply, the MIC5018 produces a gate output of approximately 15V. Figure 2 shows how the remaining voltages conform. The actual drain-to-source voltage drop

across an IRFZ24 is less than 0.1V with a 1A load and 10V enhancement. Higher current increases the drain-to-source voltage drop, increasing the gate-to-source voltage.

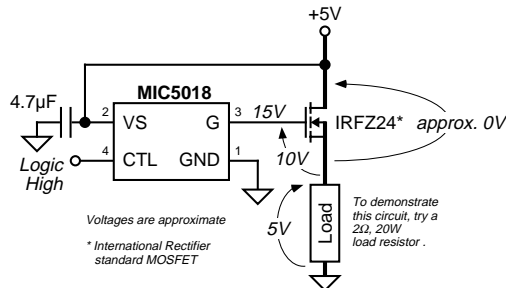


Figure 2. Using a Standard MOSFET

The MIC5018 has an internal zener diode that limits the gate-to-ground voltage to approximately 16V.

Lower supply voltages, such as 3.3V, produce lower gate output voltages which will not fully enhance standard MOSFETs. This significantly reduces the maximum current that can be switched. Always refer to the MOSFET's data sheet to predict the MOSFET's performance in specific applications.

### Logic-Level MOSFET

Logic-level N-channel MOSFETs are fully enhanced with a gate-to-source voltage of approximately 5V and generally have an absolute maximum gate-to-source voltage of ±10V.

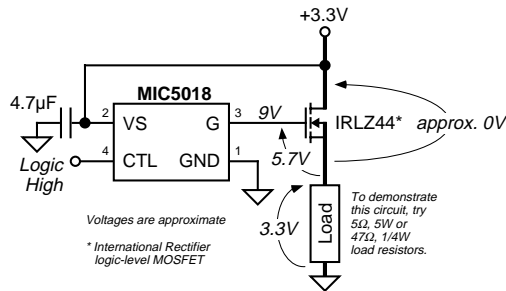


Figure 3. Using a Logic-Level MOSFET

Refer to figure 3 for an example showing nominal voltages. The maximum gate-to-source voltage rating of a logic-level MOSFET can be exceeded if a higher supply voltage is used. An external zener diode can clamp the gate-to-source voltage as shown in figure 4. The zener voltage, plus its tolerance, must not exceed the absolute maximum gate voltage of the MOSFET.

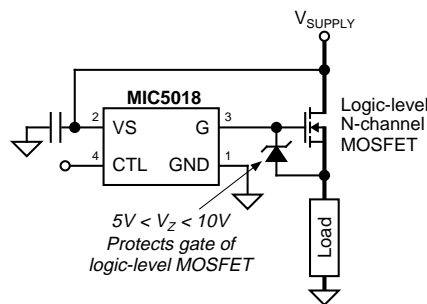
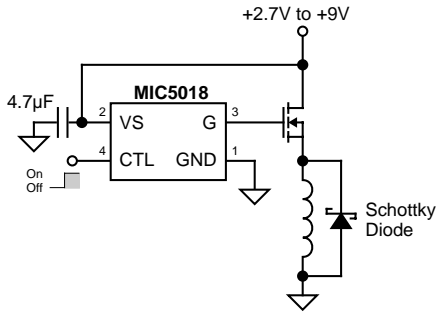


Figure 4. Gate-to-Source Protection

A gate-to-source zener may also be required when the maximum gate-to-source voltage could be exceeded due to normal part-to-part variation in gate output voltage. Other conditions can momentarily increase the gate-to-source voltage, such as turning on a capacitive load or shorting a load.

**Inductive Loads**

Inductive loads include relays, and solenoids. Long leads may also have enough inductance to cause adverse effects in some circuits.



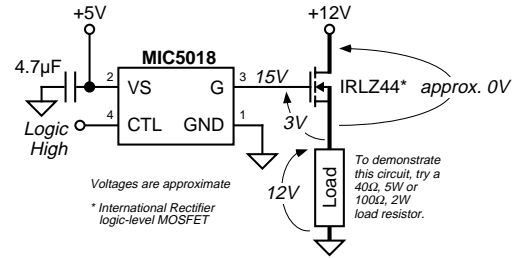
**Figure 5. Switching an Inductive Load**

Switching off an inductive load in a high-side application momentarily forces the MOSFET source negative (as the inductor opposes changes to current). This voltage spike can be very large and can exceed a MOSFET’s gate-to-source and drain-to-source ratings. A Schottky diode across the inductive load provides a discharge current path to minimize the voltage spike. The peak current rating of the diode should be greater than the load current.

In a low-side application, switching off an inductive load will momentarily force the MOSFET drain higher than the supply voltage. The same precaution applies.

**Split Power Supply**

Refer to figure 6. The MIC5018 can be used to control a 12V load by separating the driver supply from the load supply.



**Figure 6. 12V High-Side Switch**

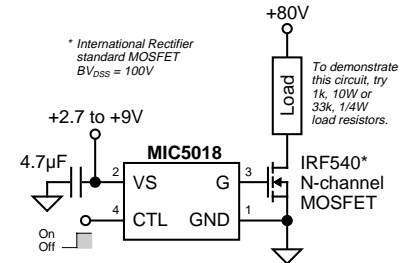
A logic-level MOSFET is required. The MOSFET’s maximum current is limited slightly because the gate is not fully enhanced. To predict the MOSFET’s performance for any pair of supply voltages, calculate the gate-to-source voltage and refer to the MOSFET data sheet.

$$V_{GS} = V_G - (V_{LOAD\ SUPPLY} - V_{DS})$$

$V_G$  is determined from the driver supply voltage using the “Typical Characteristics: Gate Output Voltage vs. Supply Voltage” graph.

**Low-Side Switch Configuration**

The low-side configuration makes it possible to switch a voltage much higher than the MIC5018’s maximum supply voltage.



**Figure 7. Low-Side Switch Configuration**

The maximum switched voltage is limited only by the MOSFET’s maximum drain-to-source ratings.