

DATA SHEET

TDA8766

**10-bit high-speed 3.0 to 5.25 V
analog-to-digital converter**

Product specification
Supersedes data of 2001 Apr 19

2002 Jul 02

10-bit high-speed 3.0 to 5.25 V analog-to-digital converter

TDA8766

FEATURES

- 10-bit resolution
- 3.0 to 5.25 V operation
- Sampling rate up to 20 MHz
- DC sampling allowed
- High signal-to-noise ratio over a large analog input frequency range (9.3 effective bits at 1.0 MHz; full-scale input at $f_{\text{clk}} = 20$ MHz)
- In-Range (IR) CMOS output
- CMOS/TTL compatible digital inputs and outputs
- External reference voltage regulator
- Power dissipation only 53 mW (typical value)
- Low analog input capacitance, no buffer amplifier required
- Standby mode
- No sample-and-hold circuit required.

APPLICATIONS

High-speed analog-to-digital conversion for:

- Video data digitizing
- Camera
- Camcorder
- Radio communication.

GENERAL DESCRIPTION

The TDA8766 is a 10-bit high-speed Analog-to-Digital Converter (ADC) for professional video and other applications. It converts with 3.0 to 5.25 V operation the analog input signal into 10-bit binary-coded digital words at a maximum sampling rate of 20 MHz. All digital inputs and outputs are CMOS compatible. A standby mode allows reduction of the device power consumption down to 4 mW.

QUICK REFERENCE DATA

SYMBOL	PARAMETER	CONDITIONS	MIN.	TYP.	MAX.	UNIT
V_{DDA}	analog supply voltage		3.0	3.3	5.25	V
V_{DDD1}	digital supply voltage 1		3.0	3.3	5.25	V
V_{DDD2}	digital supply voltage 2		3.0	3.3	5.25	V
V_{DDO}	output stages supply voltage		3.0	3.3	5.25	V
I_{DDA}	analog supply current		–	7.5	10	mA
I_{DDD}	digital supply current		–	7.5	10	mA
I_{DDO}	output stages supply current	$f_{\text{clk}} = 20$ MHz; $C_{\text{L}} = 20$ pF; ramp input	–	1	2	mA
INL	integral non-linearity	$f_{\text{clk}} = 20$ MHz; ramp input	–	± 1	± 2	LSB
DNL	differential non-linearity	$f_{\text{clk}} = 20$ MHz; ramp input	–	± 0.25	± 0.7	LSB
$f_{\text{clk(max)}}$	maximum clock frequency		20	–	–	MHz
P_{tot}	total power dissipation	$V_{\text{DDA}} = V_{\text{DDD}} = V_{\text{DDO}} = 3.3$ V	–	53	73	mW

ORDERING INFORMATION

TYPE NUMBER	PACKAGE		
	NAME	DESCRIPTION	VERSION
TDA8766G	LQFP32	plastic low profile quad flat package; 32 leads; body $5 \times 5 \times 1.4$ mm	SOT401-1

10-bit high-speed 3.0 to 5.25 V
analog-to-digital converter

TDA8766

BLOCK DIAGRAM

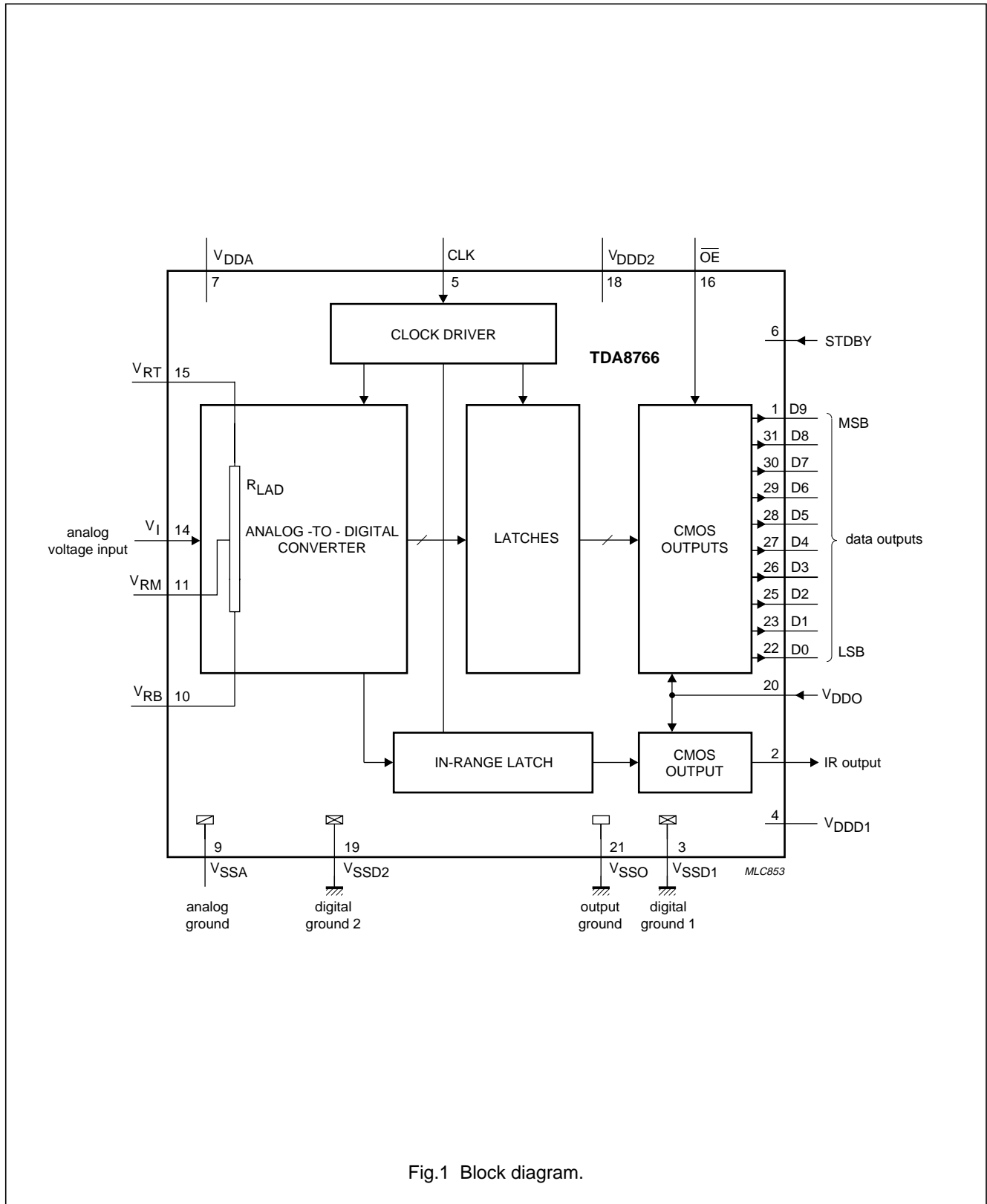


Fig.1 Block diagram.

10-bit high-speed 3.0 to 5.25 V
analog-to-digital converter

TDA8766

PINNING

SYMBOL	PIN	DESCRIPTION
D9	1	data output; bit 9 (MSB)
IR	2	in-range data output
V _{SSD1}	3	digital ground 1
V _{DDD1}	4	digital supply voltage 1 (3.0 to 5.25 V)
CLK	5	clock input
STDBY	6	standby mode input
V _{DDA}	7	analog supply voltage (3.0 to 5.25 V)
n.c.	8	not connected
V _{SSA}	9	analog ground
V _{RB}	10	reference voltage BOTTOM input
V _{RM}	11	reference voltage MIDDLE input
n.c.	12	not connected
n.c.	13	not connected
V _I	14	analog voltage input
V _{RT}	15	reference voltage TOP input
\overline{OE}	16	output enable input (active LOW)

SYMBOL	PIN	DESCRIPTION
n.c.	17	not connected
V _{DDD2}	18	digital supply voltage 2 (3.0 to 5.25 V)
V _{SSD2}	19	digital ground 2
V _{DDO}	20	positive supply voltage for output stage (3.0 to 5.25 V)
V _{SSO}	21	output stage ground
D0	22	data output; bit 0 (LSB)
D1	23	data output; bit 1
n.c.	24	not connected
D2	25	data output; bit 2
D3	26	data output; bit 3
D4	27	data output; bit 4
D5	28	data output; bit 5
D6	29	data output; bit 6
D7	30	data output; bit 7
D8	31	data output; bit 8
n.c.	32	not connected

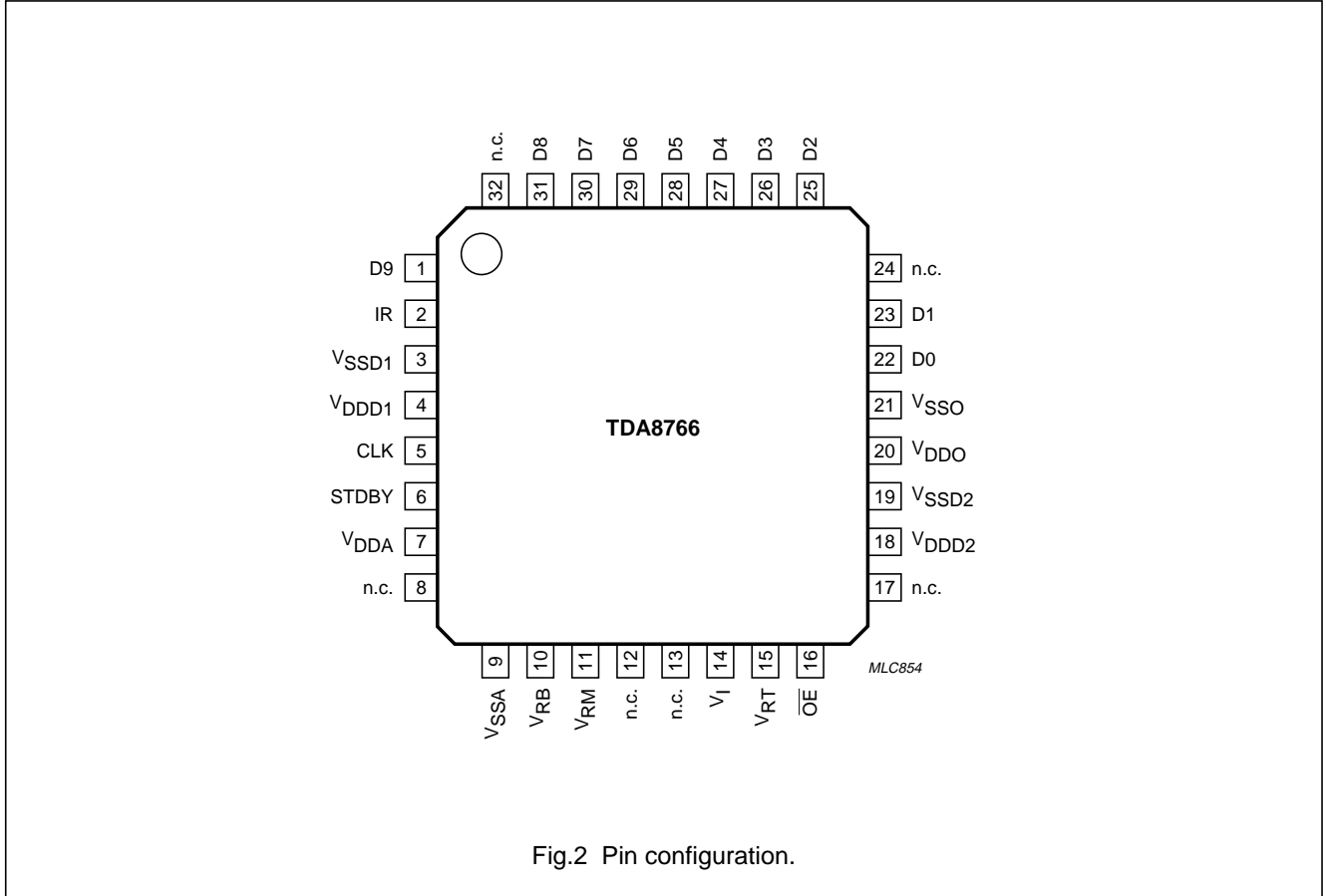


Fig.2 Pin configuration.

10-bit high-speed 3.0 to 5.25 V analog-to-digital converter

TDA8766

LIMITING VALUES

In accordance with the Absolute Maximum Rating System (IEC 60134).

SYMBOL	PARAMETER	CONDITIONS	MIN.	MAX.	UNIT
V_{DDA}	analog supply voltage	note 1	-0.3	+7.0	V
V_{DDD}	digital supply voltage	note 1	-0.3	+7.0	V
V_{DDO}	output stages supply voltage	note 1	-0.3	+7.0	V
ΔV_{DD}	supply voltage difference				
	$V_{DDA} - V_{DDD}$		-1.0	+4.0	V
	$V_{DDD} - V_{DDO}$		-1.0	+4.0	V
	$V_{DDA} - V_{DDO}$		-1.0	+4.0	V
V_I	input voltage	referenced to V_{SSA}	-0.3	+7.0	V
$V_{i(p-p)}$	AC input voltage for switching (peak-to-peak value)	referenced to V_{SSD}	-	V_{DDD}	V
I_O	output current		-	10	mA
T_{stg}	storage temperature		-55	+150	°C
T_{amb}	ambient temperature		-20	+75	°C
T_j	junction temperature		-	150	°C

Note

- The supply voltages V_{DDA} , V_{DDD} and V_{DDO} may have any value between -0.3 and +7.0 V provided that the supply voltage differences ΔV_{DD} are respected.

HANDLING

Inputs and outputs are protected against electrostatic discharges in normal handling. However, to be totally safe, it is desirable to take normal precautions appropriate to handling integrated circuits.

THERMAL CHARACTERISTICS

SYMBOL	PARAMETER	CONDITIONS	VALUE	UNIT
$R_{th(jj-a)}$	thermal resistance from junction to ambient	in free air	90	K/W

10-bit high-speed 3.0 to 5.25 V analog-to-digital converter

TDA8766

CHARACTERISTICS

$V_{DDA} = V_7$ to $V_9 = 3.3$ V; $V_{DDD} = V_4$ to $V_3 = V_{18}$ to $V_{19} = 3.3$ V; $V_{DDO} = V_{20}$ to $V_{21} = 3.3$ V; V_{SSA} , V_{SSD} and V_{SSO} short-circuited together; $V_{i(p-p)} = 1.83$ V; $C_L = 20$ pF; $T_{amb} = 0$ to 70 °C; typical values measured at $T_{amb} = 25$ °C; unless otherwise specified.

SYMBOL	PARAMETER	CONDITIONS	MIN.	TYP.	MAX.	UNIT
Supplies						
V_{DDA}	analog supply voltage		3.0	3.3	5.25	V
V_{DDD1}	digital supply voltage 1		3.0	3.3	5.25	V
V_{DDD2}	digital supply voltage 2		3.0	3.3	5.25	V
V_{DDO}	output stages supply voltage		3.0	3.3	5.25	V
ΔV_{DD}	voltage difference					
	$V_{DDA} - V_{DDD}$		-0.2	-	+0.2	V
	$V_{DDA} - V_{DDO}$		-0.2	-	+0.2	V
	$V_{DDD} - V_{DDO}$		-0.2	-	+0.2	V
I_{DDA}	analog supply current		-	7.5	10	mA
I_{DDD}	digital supply current		-	7.5	10	mA
I_{DDO}	output stages supply current	$f_{clk} = 20$ MHz; ramp input; $C_L = 20$ pF	-	1	2	mA
P_{tot}	total power dissipation	operating; $V_{DD} = 3.3$ V	-	53	73	mW
		standby mode	-	4	-	mW
Inputs						
CLOCK INPUT CLK (REFERENCED TO V_{SSD}); note 1						
V_{IL}	LOW-level input voltage		0	-	$0.3V_{DDD}$	V
V_{IH}	HIGH-level input voltage	$V_{DDD} \leq 3.6$ V	$0.6V_{DDD}$	-	V_{DDD}	V
		$V_{DDD} = 3.3$ V	$0.7V_{DDD}$	-	V_{DDD}	V
I_{IL}	LOW-level input current	$V_{CLK} = 0.3V_{DDD}$	-1	0	+1	μ A
I_{IH}	HIGH-level input current	$V_{CLK} = 0.7V_{DDD}$	-	-	5	μ A
Z_i	input impedance	$f_{clk} = 20$ MHz	-	4	-	k Ω
C_i	input capacitance	$f_{clk} = 20$ MHz	-	3	-	pF
INPUTS \overline{OE} AND STDBY (REFERENCED TO V_{SSD}); see Tables 1 and 2						
V_{IL}	LOW-level input voltage		0	-	$0.3V_{DDD}$	V
V_{IH}	HIGH-level input voltage	$V_{DDD} \leq 3.6$ V	$0.6V_{DDD}$	-	V_{DDD}	V
		$V_{DDD} = 3.3$ V	$0.7V_{DDD}$	-	V_{DDD}	V
I_{IL}	LOW-level input current	$V_{IL} = 0.3 V_{DDD}$	-1	-	-	μ A
I_{IH}	HIGH-level input current	$V_{IH} = 0.7 V_{DDD}$	-	-	1	μ A
ANALOG INPUT V_I (REFERENCED TO V_{SSA})						
I_{IL}	LOW-level input current	$V_I = V_{RB}$	-	0	-	μ A
I_{IH}	HIGH-level input current	$V_I = V_{RT}$	-	35	-	μ A
Z_i	input impedance	$f_i = 1$ MHz	-	5	-	k Ω
C_i	input capacitance	$f_i = 1$ MHz	-	8	-	pF

10-bit high-speed 3.0 to 5.25 V analog-to-digital converter

TDA8766

SYMBOL	PARAMETER	CONDITIONS	MIN.	TYP.	MAX.	UNIT
Reference voltages for resistor ladder; see Table 3						
V_{RB}	reference voltage BOTTOM		1.1	1.2	–	V
V_{RT}	reference voltage TOP		3.0	3.3	V_{DDA}	V
$V_{diff(ref)}$	differential reference voltage $V_{RT} - V_{RB}$		1.9	2.1	3.0	V
I_{ref}	reference current		–	7.2	–	mA
R_{LAD}	ladder resistance		–	290	–	Ω
TC_{RLAD}	temperature coefficient of ladder resistance		–	539	–	m Ω /K
			–	1860	–	ppm
$V_{offset(B)}$	offset voltage BOTTOM	note 2	–	135	–	mV
$V_{offset(T)}$	offset voltage TOP	note 2	–	135	–	mV
$V_{I(p-p)}$	analog input voltage (peak-to-peak value)	note 3	1.66	1.83	2.35	V
Outputs						
DIGITAL OUTPUTS D9 TO D0 AND IR (REFERENCED TO V_{SSD})						
V_{OL}	LOW-level output voltage	$I_O = 1$ mA	0	–	0.5	V
V_{OH}	HIGH-level output voltage	$I_O = -1$ mA	$V_{DDO} - 0.5$	–	V_{DDO}	V
I_{OZ}	output current in 3-state mode	0.5 V < V_O < V_{DDO}	–20	–	+20	μ A
Switching characteristics						
CLOCK INPUT CLK; see Fig.4; note 1						
$f_{clk(max)}$	maximum clock frequency		20	–	–	MHz
t_{CPH}	clock pulse width HIGH		15	–	–	ns
t_{CPL}	clock pulse width LOW		15	–	–	ns
Analog signal processing ($f_{clk} = 20$ MHz)						
LINEARITY						
INL	integral non-linearity	ramp input; see Fig.6	–	± 1	± 2	LSB
DNL	differential non-linearity	ramp input; see Fig.7	–	± 0.25	± 0.7	LSB
INPUT SET RESPONSE; see Fig.8; note 4						
t_{STLH}	analog input settling time LOW-to-HIGH	full-scale square wave	–	4	6	ns
t_{STHL}	analog input settling time HIGH-to-LOW	full-scale square wave	–	4	6	ns
HARMONICS; see Fig.9; note 5						
THD	total harmonic distortion	$f_i = 1$ MHz	–	–63	–	dB
SIGNAL-TO-NOISE RATIO; see Fig.9; note 5						
S/N	signal-to-noise ratio (full-scale)	without harmonics; $f_i = 1$ MHz	–	60	–	dB

10-bit high-speed 3.0 to 5.25 V analog-to-digital converter

TDA8766

SYMBOL	PARAMETER	CONDITIONS	MIN.	TYP.	MAX.	UNIT
EFFECTIVE BITS; see Fig.9; note 5						
EB	effective bits	$f_i = 300 \text{ kHz}$	–	9.5	–	bits
		$f_i = 1 \text{ MHz}$	–	9.3	–	bits
		$f_i = 3.58 \text{ MHz}$	–	8.0	–	bits
Timing ($f_{\text{clk}} = 20 \text{ MHz}$; $C_L = 20 \text{ pF}$); see Fig.4; note 6						
t_{ds}	sampling delay time		–	–	5	ns
t_{h}	output hold time		5	–	–	ns
t_{d}	output delay time	$V_{\text{DDO}} = 4.75 \text{ V}$	8	12	15	ns
		$V_{\text{DDO}} = 3.15 \text{ V}$	8	17	20	ns
3-state output delay times; see Fig.5						
t_{dZH}	enable HIGH		–	14	18	ns
t_{dZL}	enable LOW		–	16	20	ns
t_{dHZ}	disable HIGH		–	16	20	ns
t_{dLZ}	disable LOW		–	14	18	ns
Standby mode output delay times						
$t_{\text{d(stb)LH}}$	standby LOW-to-HIGH transition		–	–	200	ns
$t_{\text{d(stb)HL}}$	start-up HIGH-to-LOW transition		–	–	500	ns

Notes

- In addition to a good layout of the digital and analog ground, it is recommended that the rise and fall times of the clock must not be less than 1 ns.
- Analog input voltages producing code 0 up to and including 1023:
 - $V_{\text{offset(B)}}$ (offset voltage BOTTOM) is the difference between the analog input which produces data equal to 00 and the reference voltage BOTTOM (V_{RB}) at $T_{\text{amb}} = 25 \text{ }^\circ\text{C}$.
 - $V_{\text{offset(T)}}$ (offset voltage TOP) is the difference between V_{RT} (reference voltage TOP) and the analog input which produces data outputs equal to 1023 at $T_{\text{amb}} = 25 \text{ }^\circ\text{C}$.
- In order to ensure the optimum linearity performance of such converter architecture, the lower and upper extremities of the converter reference resistor ladder (corresponding to output codes 0 and 1023 respectively) are connected to pins V_{RB} and V_{RT} via offset resistors R_{OB} and R_{OT} as shown in Fig.3.
 - The current flowing into the resistor ladder is $I_L = \frac{V_{\text{RT}} - V_{\text{RB}}}{R_{\text{OB}} + R_L + R_{\text{OT}}}$ and the full-scale input range at the converter, to cover code 0 to code 1023, is $V_I = R_L \times I_L = \frac{R_L}{R_{\text{OB}} + R_L + R_{\text{OT}}} \times (V_{\text{RT}} - V_{\text{RB}}) = 0.871 \times (V_{\text{RT}} - V_{\text{RB}})$
 - Since R_L , R_{OB} and R_{OT} have similar behaviour with respect to process and temperature variation, the ratio $\frac{R_L}{R_{\text{OB}} + R_L + R_{\text{OT}}}$ will be kept reasonably constant from device to device. Consequently variation of the output codes at a given input voltage depends mainly on the difference $V_{\text{RT}} - V_{\text{RB}}$ and its variation with temperature and supply voltage. When several ADCs are connected in parallel and fed with the same reference source, the matching between each of them is then optimized.
- The analog input settling time is the minimum time required for the input signal to be stabilized after a sharp full-scale input change (square-wave signal) in order to sample the signal and obtain correct output data.

10-bit high-speed 3.0 to 5.25 V
analog-to-digital converter

TDA8766

- 5. Effective bits are obtained via a Fast Fourier Transform (FFT) treatment taking 8k acquisition points per equivalent fundamental period. The calculation takes into account all harmonics and noise up to half of the clock frequency (Nyquist frequency). Conversion to signal-to-noise ratio: $S/N = EB \times 6.02 + 1.76$ dB.
- 6. Output data acquisition: the output data is available after the maximum delay time of t_d .

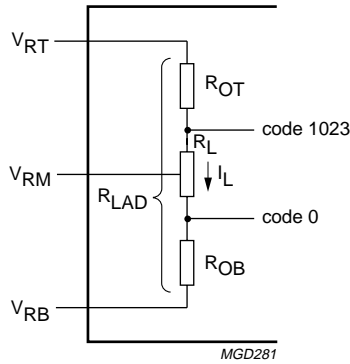
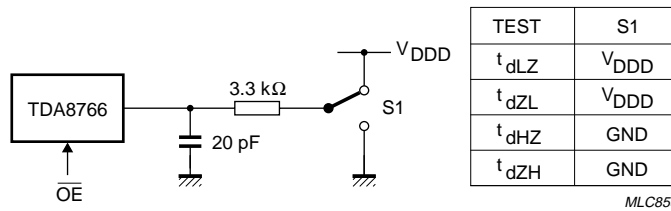
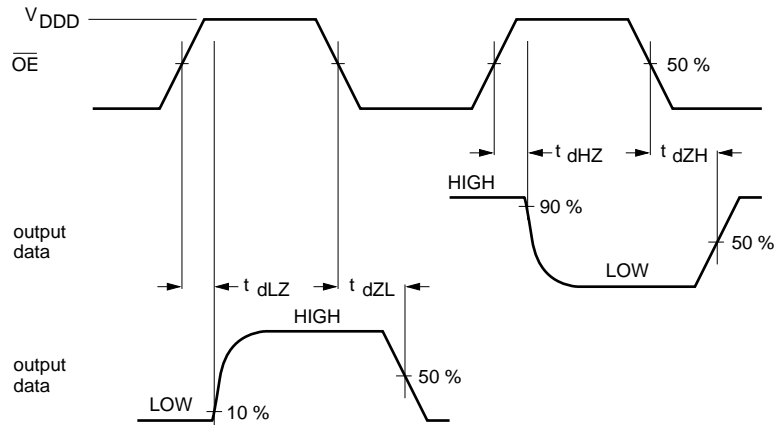


Fig.3 Converter reference resistor ladder.

10-bit high-speed 3.0 to 5.25 V
analog-to-digital converter

TDA8766



$f_{\overline{OE}} = 100 \text{ kHz}$.

Fig.5 Timing diagram and test conditions of 3-state output delay time.

10-bit high-speed 3.0 to 5.25 V analog-to-digital converter

TDA8766

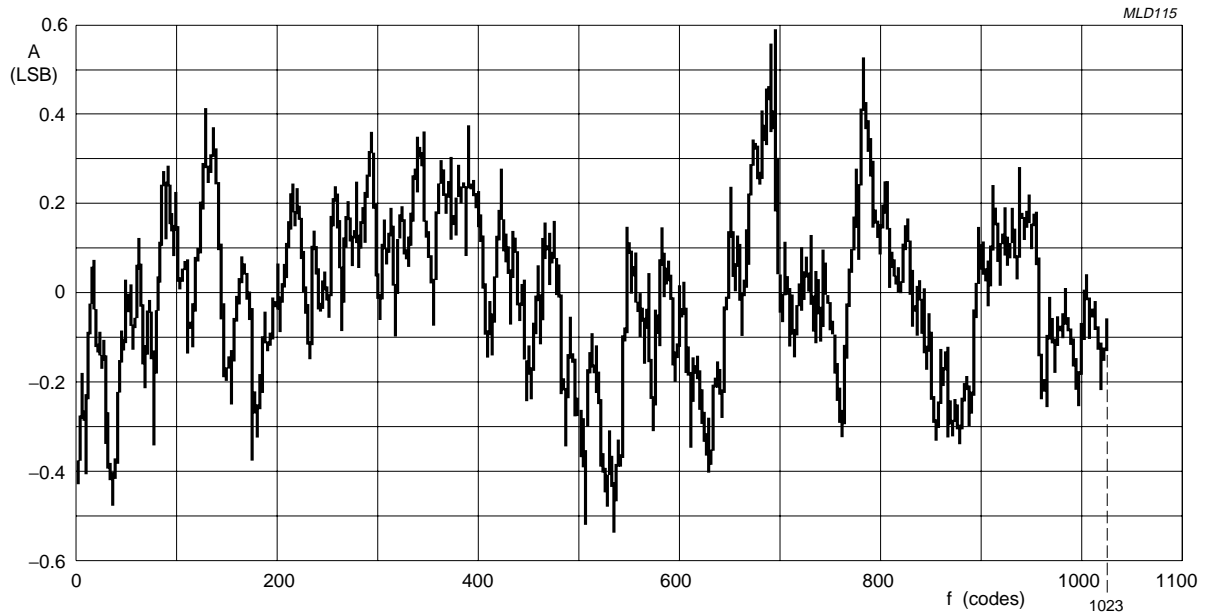


Fig.6 Typical Integral Non-Linearity (INL) performance.

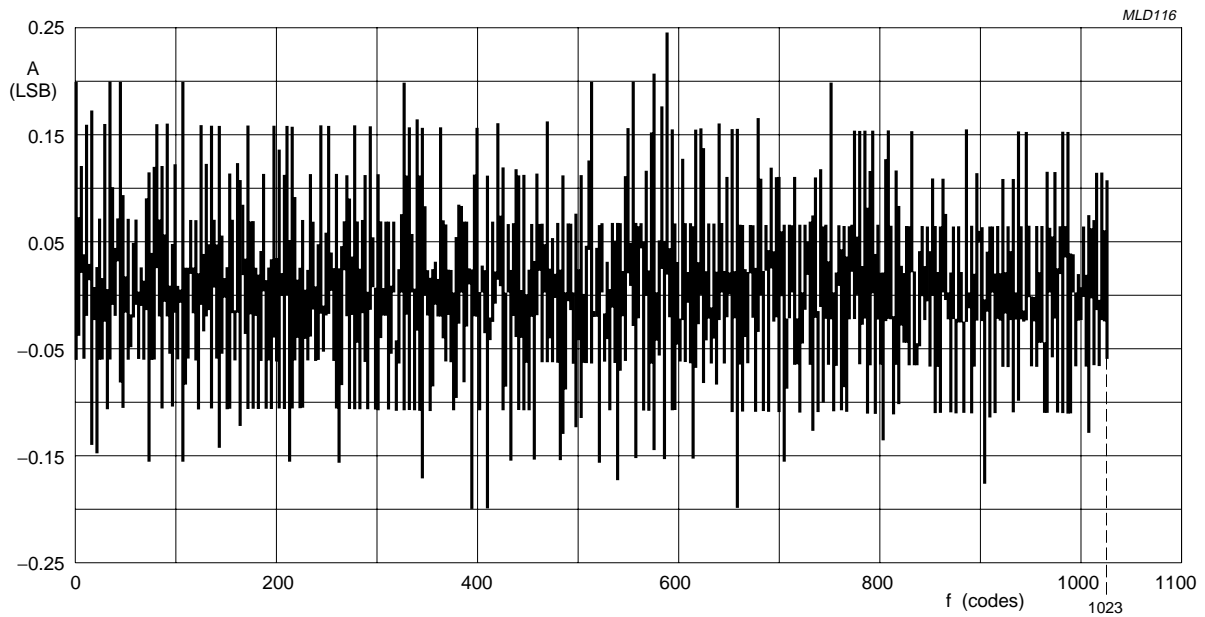


Fig.7 Typical Differential Non-Linearity (DNL) performance.

10-bit high-speed 3.0 to 5.25 V
analog-to-digital converter

TDA8766

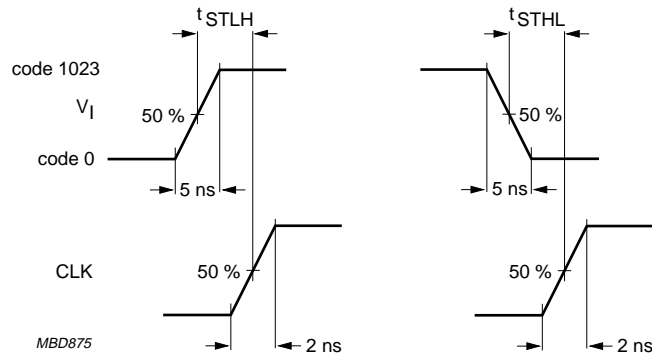
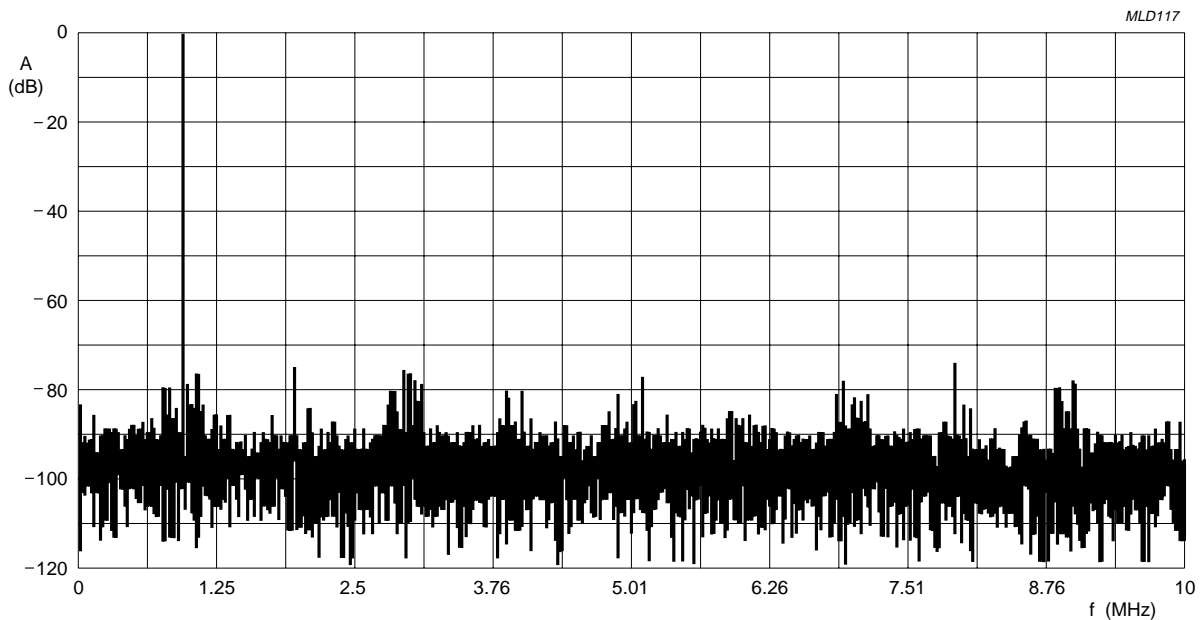


Fig.8 Analog input settling-time diagram.



Effective bits: 9.59; THD = -76.60 dB.
Harmonic levels (dB): 2nd = -81.85; 3rd = -87.56; 4th = -88.81; 5th = -88.96; 6th = -79.58.

Fig.9 Typical fast Fourier transform ($f_{clk} = 20$ MHz; $f_i = 1$ MHz).

10-bit high-speed 3.0 to 5.25 V
analog-to-digital converter

TDA8766

INTERNAL PIN CONFIGURATION

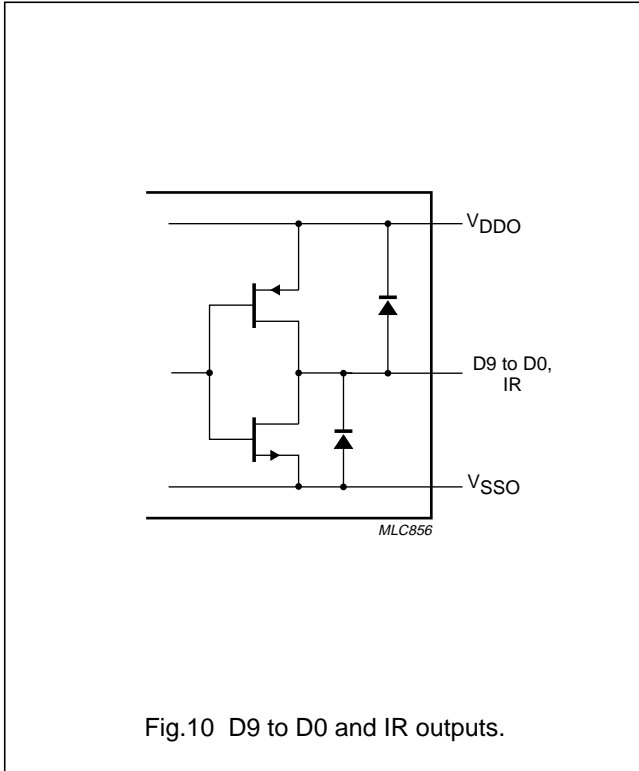


Fig.10 D9 to D0 and IR outputs.

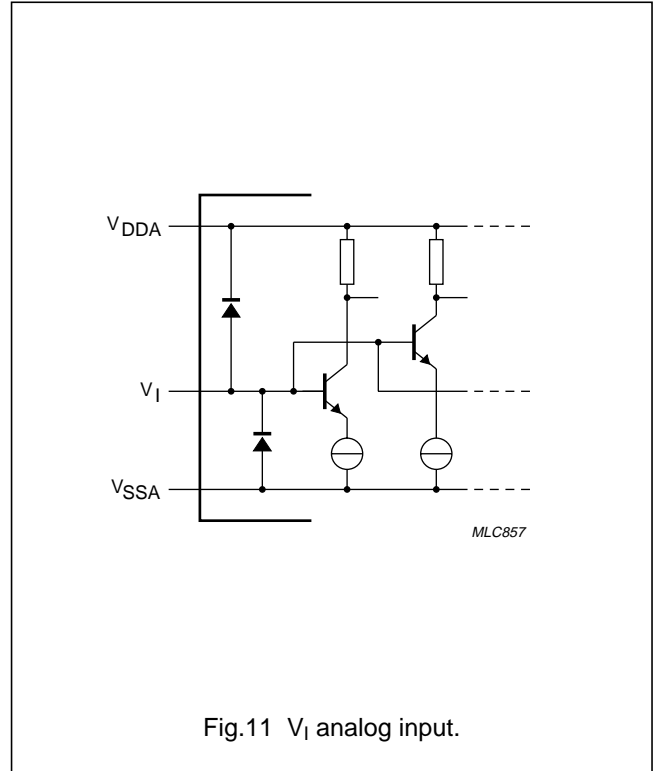


Fig.11 V_I analog input.

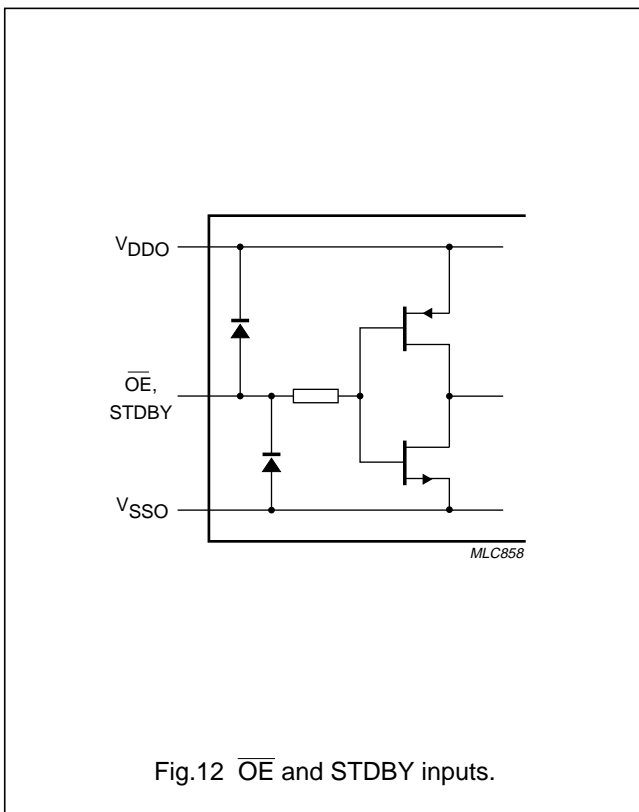


Fig.12 \overline{OE} and STDBY inputs.

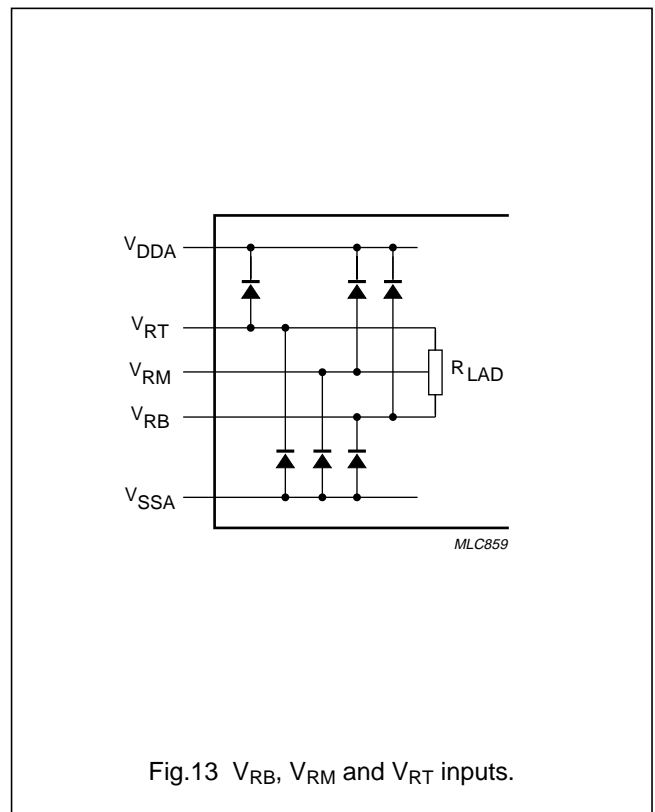


Fig.13 V_{RB} , V_{RM} and V_{RT} inputs.

10-bit high-speed 3.0 to 5.25 V
analog-to-digital converter

TDA8766

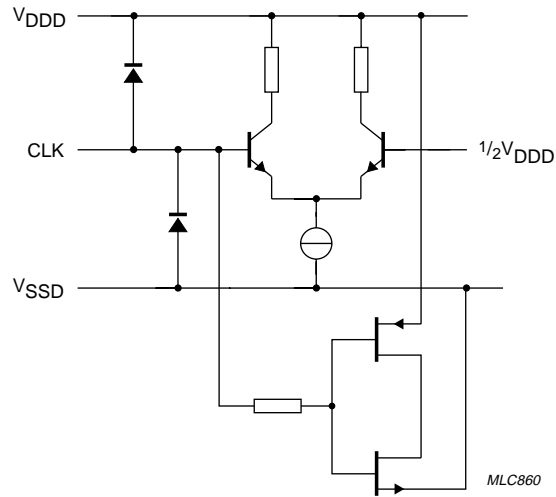


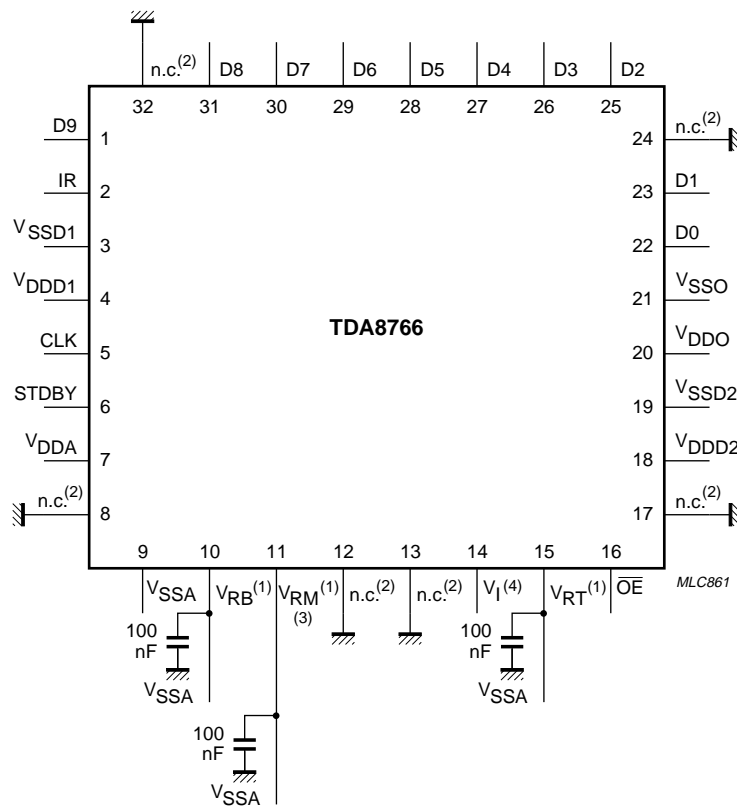
Fig.14 CLK input.

10-bit high-speed 3.0 to 5.25 V
analog-to-digital converter

TDA8766

APPLICATION INFORMATION

Additional application information will be supplied upon request (please quote number "AN00014").



The analog and digital supplies should be separated and decoupled.

The external voltage reference generator must be built such that a good supply voltage ripple rejection is achieved with respect to the LSB value. Eventually, the reference ladder voltages can be derived from a well regulated V_{DDA} supply through a resistor bridge and a decoupling capacitor.

- (1) V_{RB} , V_{RM} and V_{RT} are decoupled to V_{SSA} .
- (2) Pins 8, 12, 13, 17, 24 and 32 should be connected to the closest ground pin in order to prevent noise influence.
- (3) When V_{RM} is not used, pin 11 can be left open-circuit, avoiding the decoupling capacitor. In any case, pin 11 must not be grounded.
- (4) When analog input signal is AC coupled, an input bias or a clamping level must be applied to V_i input (pin 14).

Fig.15 Application diagram.

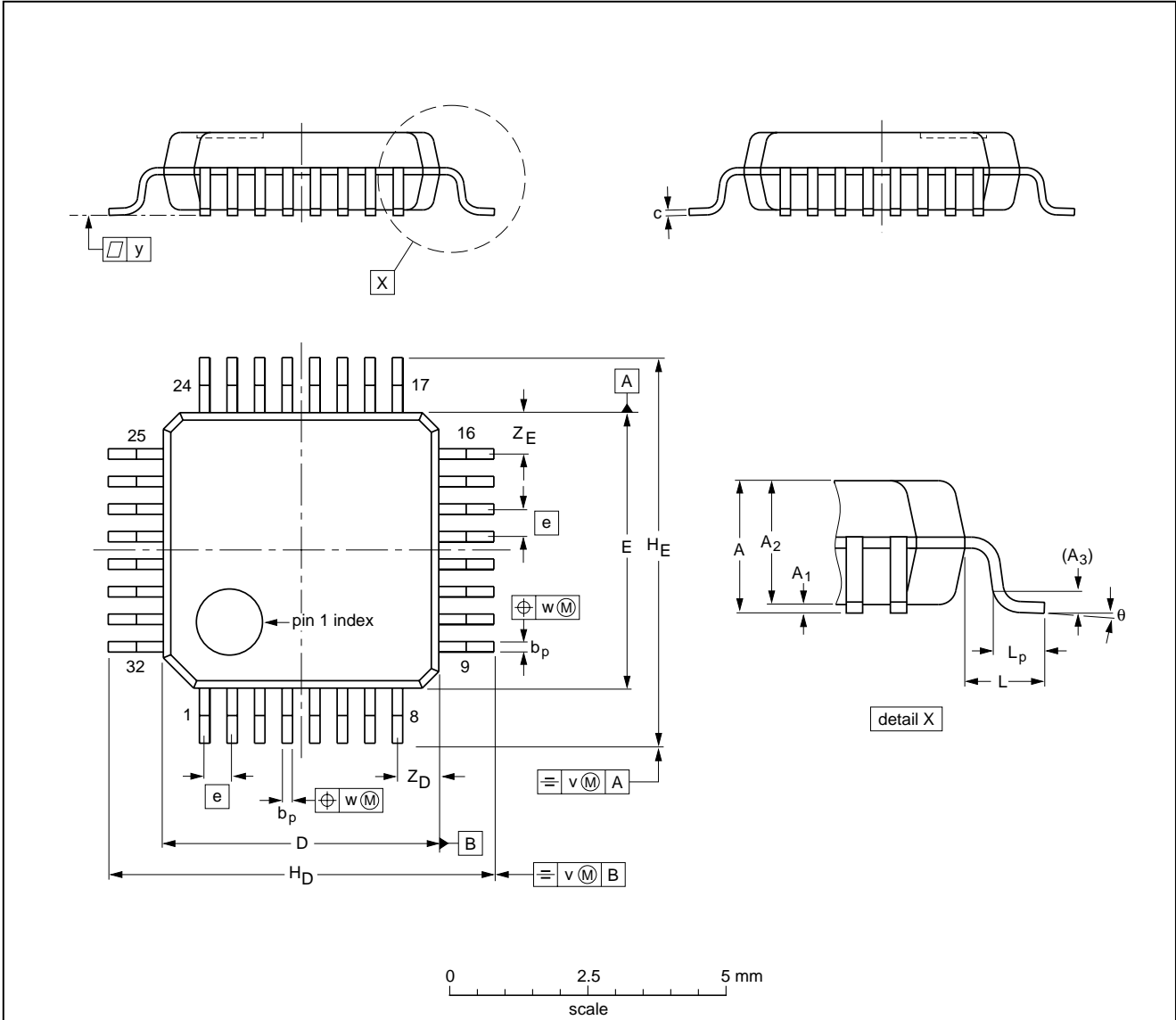
10-bit high-speed 3.0 to 5.25 V
analog-to-digital converter

TDA8766

PACKAGE OUTLINE

LQFP32: plastic low profile quad flat package; 32 leads; body 5 x 5 x 1.4 mm

SOT401-1



DIMENSIONS (mm are the original dimensions)

UNIT	A max.	A ₁	A ₂	A ₃	b _p	c	D ⁽¹⁾	E ⁽¹⁾	e	H _D	H _E	L	L _p	v	w	y	Z _D ⁽¹⁾	Z _E ⁽¹⁾	θ
mm	1.60	0.15 0.05	1.5 1.3	0.25	0.27 0.17	0.18 0.12	5.1 4.9	5.1 4.9	0.5	7.15 6.85	7.15 6.85	1.0	0.75 0.45	0.2	0.12	0.1	0.95 0.55	0.95 0.55	7° 0°

Note
1. Plastic or metal protrusions of 0.25 mm maximum per side are not included.

OUTLINE VERSION	REFERENCES				EUROPEAN PROJECTION	ISSUE DATE
	IEC	JEDEC	EIAJ			
SOT401-1	136E01	MS-026				99-12-27 00-01-19

10-bit high-speed 3.0 to 5.25 V analog-to-digital converter

TDA8766

SOLDERING

Introduction to soldering surface mount packages

This text gives a very brief insight to a complex technology. A more in-depth account of soldering ICs can be found in our *"Data Handbook IC26; Integrated Circuit Packages"* (document order number 9398 652 90011).

There is no soldering method that is ideal for all surface mount IC packages. Wave soldering can still be used for certain surface mount ICs, but it is not suitable for fine pitch SMDs. In these situations reflow soldering is recommended.

Reflow soldering

Reflow soldering requires solder paste (a suspension of fine solder particles, flux and binding agent) to be applied to the printed-circuit board by screen printing, stencilling or pressure-syringe dispensing before package placement.

Several methods exist for reflowing; for example, convection or convection/infrared heating in a conveyor type oven. Throughput times (preheating, soldering and cooling) vary between 100 and 200 seconds depending on heating method.

Typical reflow peak temperatures range from 215 to 250 °C. The top-surface temperature of the packages should preferably be kept below 220 °C for thick/large packages, and below 235 °C for small/thin packages.

Wave soldering

Conventional single wave soldering is not recommended for surface mount devices (SMDs) or printed-circuit boards with a high component density, as solder bridging and non-wetting can present major problems.

To overcome these problems the double-wave soldering method was specifically developed.

If wave soldering is used the following conditions must be observed for optimal results:

- Use a double-wave soldering method comprising a turbulent wave with high upward pressure followed by a smooth laminar wave.
- For packages with leads on two sides and a pitch (e):
 - larger than or equal to 1.27 mm, the footprint longitudinal axis is **preferred** to be parallel to the transport direction of the printed-circuit board;
 - smaller than 1.27 mm, the footprint longitudinal axis **must** be parallel to the transport direction of the printed-circuit board.

The footprint must incorporate solder thieves at the downstream end.

- For packages with leads on four sides, the footprint must be placed at a 45° angle to the transport direction of the printed-circuit board. The footprint must incorporate solder thieves downstream and at the side corners.

During placement and before soldering, the package must be fixed with a droplet of adhesive. The adhesive can be applied by screen printing, pin transfer or syringe dispensing. The package can be soldered after the adhesive is cured.

Typical dwell time is 4 seconds at 250 °C.

A mildly-activated flux will eliminate the need for removal of corrosive residues in most applications.

Manual soldering

Fix the component by first soldering two diagonally-opposite end leads. Use a low voltage (24 V or less) soldering iron applied to the flat part of the lead. Contact time must be limited to 10 seconds at up to 300 °C.

When using a dedicated tool, all other leads can be soldered in one operation within 2 to 5 seconds between 270 and 320 °C.

10-bit high-speed 3.0 to 5.25 V analog-to-digital converter

TDA8766

Suitability of surface mount IC packages for wave and reflow soldering methods

PACKAGE ⁽¹⁾	SOLDERING METHOD	
	WAVE	REFLOW ⁽²⁾
BGA, LBGA, LFBGA, SQFP, TFBGA, VFBGA	not suitable	suitable
HBCC, HBGA, HLQFP, HSQFP, HSOP, HTQFP, HTSSOP, HVQFN, HVSON, SMS	not suitable ⁽³⁾	suitable
PLCC ⁽⁴⁾ , SO, SOJ	suitable	suitable
LQFP, QFP, TQFP	not recommended ⁽⁴⁾⁽⁵⁾	suitable
SSOP, TSSOP, VSO	not recommended ⁽⁶⁾	suitable

Notes

- For more detailed information on the BGA packages refer to the “(LF)BGA Application Note” (AN01026); order a copy from your Philips Semiconductors sales office.
- All surface mount (SMD) packages are moisture sensitive. Depending upon the moisture content, the maximum temperature (with respect to time) and body size of the package, there is a risk that internal or external package cracks may occur due to vaporization of the moisture in them (the so called popcorn effect). For details, refer to the Drypack information in the “Data Handbook IC26; Integrated Circuit Packages; Section: Packing Methods”.
- These packages are not suitable for wave soldering. On versions with the heatsink on the bottom side, the solder cannot penetrate between the printed-circuit board and the heatsink. On versions with the heatsink on the top side, the solder might be deposited on the heatsink surface.
- If wave soldering is considered, then the package must be placed at a 45° angle to the solder wave direction. The package footprint must incorporate solder thieves downstream and at the side corners.
- Wave soldering is suitable for LQFP, TQFP and QFP packages with a pitch (e) larger than 0.8 mm; it is definitely not suitable for packages with a pitch (e) equal to or smaller than 0.65 mm.
- Wave soldering is suitable for SSOP and TSSOP packages with a pitch (e) equal to or larger than 0.65 mm; it is definitely not suitable for packages with a pitch (e) equal to or smaller than 0.5 mm.

10-bit high-speed 3.0 to 5.25 V analog-to-digital converter

TDA8766

DATA SHEET STATUS

DATA SHEET STATUS ⁽¹⁾	PRODUCT STATUS ⁽²⁾	DEFINITIONS
Objective data	Development	This data sheet contains data from the objective specification for product development. Philips Semiconductors reserves the right to change the specification in any manner without notice.
Preliminary data	Qualification	This data sheet contains data from the preliminary specification. Supplementary data will be published at a later date. Philips Semiconductors reserves the right to change the specification without notice, in order to improve the design and supply the best possible product.
Product data	Production	This data sheet contains data from the product specification. Philips Semiconductors reserves the right to make changes at any time in order to improve the design, manufacturing and supply. Changes will be communicated according to the Customer Product/Process Change Notification (CPCN) procedure SNW-SQ-650A.

Notes

1. Please consult the most recently issued data sheet before initiating or completing a design.
2. The product status of the device(s) described in this data sheet may have changed since this data sheet was published. The latest information is available on the Internet at URL <http://www.semiconductors.philips.com>.

DEFINITIONS

Short-form specification — The data in a short-form specification is extracted from a full data sheet with the same type number and title. For detailed information see the relevant data sheet or data handbook.

Limiting values definition — Limiting values given are in accordance with the Absolute Maximum Rating System (IEC 60134). Stress above one or more of the limiting values may cause permanent damage to the device. These are stress ratings only and operation of the device at these or at any other conditions above those given in the Characteristics sections of the specification is not implied. Exposure to limiting values for extended periods may affect device reliability.

Application information — Applications that are described herein for any of these products are for illustrative purposes only. Philips Semiconductors make no representation or warranty that such applications will be suitable for the specified use without further testing or modification.

DISCLAIMERS

Life support applications — These products are not designed for use in life support appliances, devices, or systems where malfunction of these products can reasonably be expected to result in personal injury. Philips Semiconductors customers using or selling these products for use in such applications do so at their own risk and agree to fully indemnify Philips Semiconductors for any damages resulting from such application.

Right to make changes — Philips Semiconductors reserves the right to make changes, without notice, in the products, including circuits, standard cells, and/or software, described or contained herein in order to improve design and/or performance. Philips Semiconductors assumes no responsibility or liability for the use of any of these products, conveys no licence or title under any patent, copyright, or mask work right to these products, and makes no representations or warranties that these products are free from patent, copyright, or mask work right infringement, unless otherwise specified.

10-bit high-speed 3.0 to 5.25 V
analog-to-digital converter

TDA8766

NOTES

10-bit high-speed 3.0 to 5.25 V
analog-to-digital converter

TDA8766

NOTES

10-bit high-speed 3.0 to 5.25 V
analog-to-digital converter

TDA8766

NOTES

Philips Semiconductors – a worldwide company

Contact information

For additional information please visit <http://www.semiconductors.philips.com>. Fax: +31 40 27 24825

For sales offices addresses send e-mail to: sales.addresses@www.semiconductors.philips.com.

© Koninklijke Philips Electronics N.V. 2002

SCA74

All rights are reserved. Reproduction in whole or in part is prohibited without the prior written consent of the copyright owner.

The information presented in this document does not form part of any quotation or contract, is believed to be accurate and reliable and may be changed without notice. No liability will be accepted by the publisher for any consequence of its use. Publication thereof does not convey nor imply any license under patent- or other industrial or intellectual property rights.

Printed in The Netherlands

753504/05/pp24

Date of release: 2002 Jul 02

Document order number: 9397 750 10029

Let's make things better.

**Philips
Semiconductors**



PHILIPS