

Description

The PT6522 is a general purpose LCD display driver which can be used for frequency display applications in microprocessor-controlled radio receivers and other display applications.

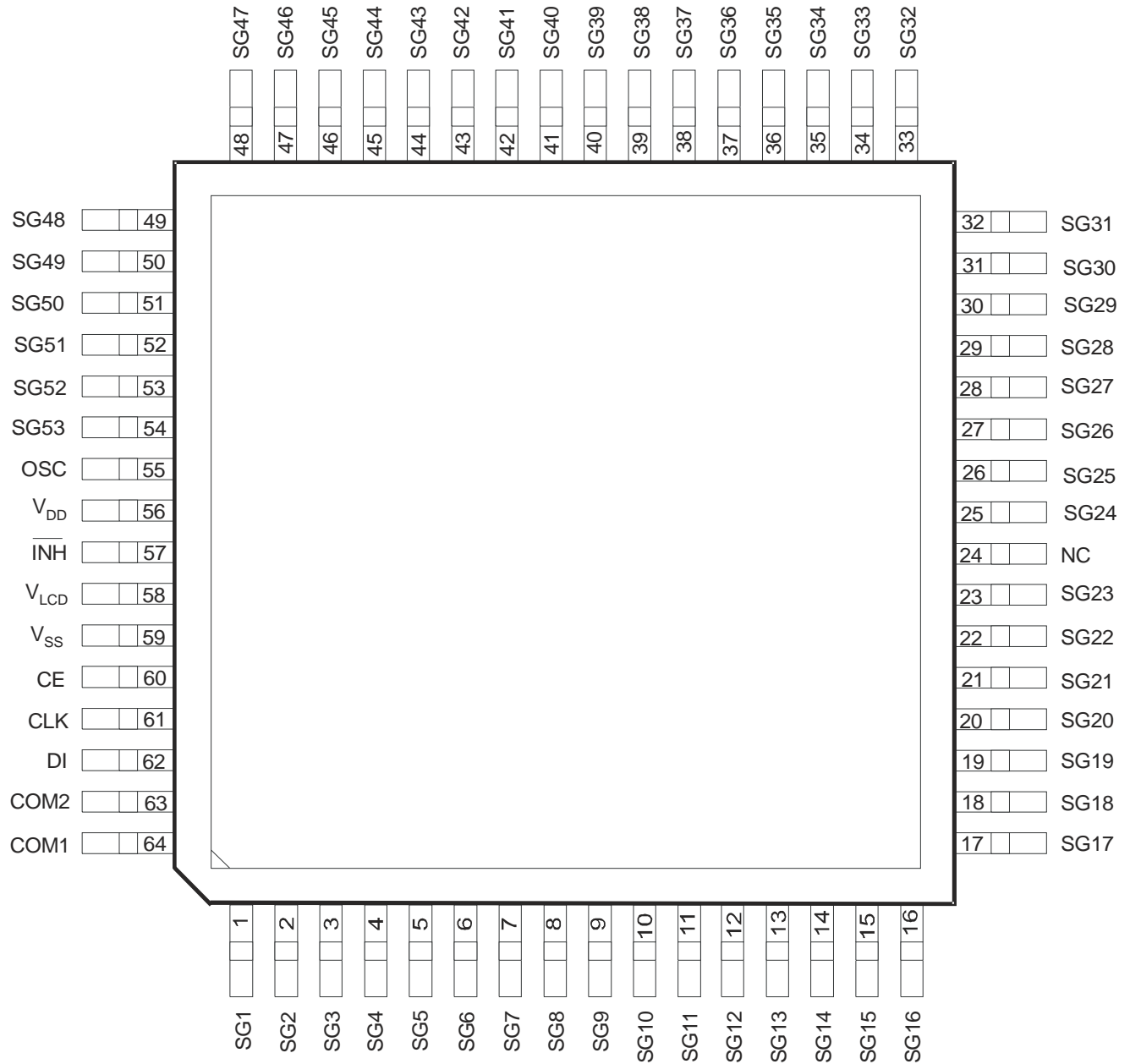
FEATURES

- 53 segment outputs
- Two drive types are possible: static (1/1) duty (53 segments) and 1/2 duty (104 segments)
- INH pin for turning off all display output
- RC oscillation circuit
- Power supply voltage: 3.0 to 6.5 V
- Available in 64-pin QFP or LQFP package

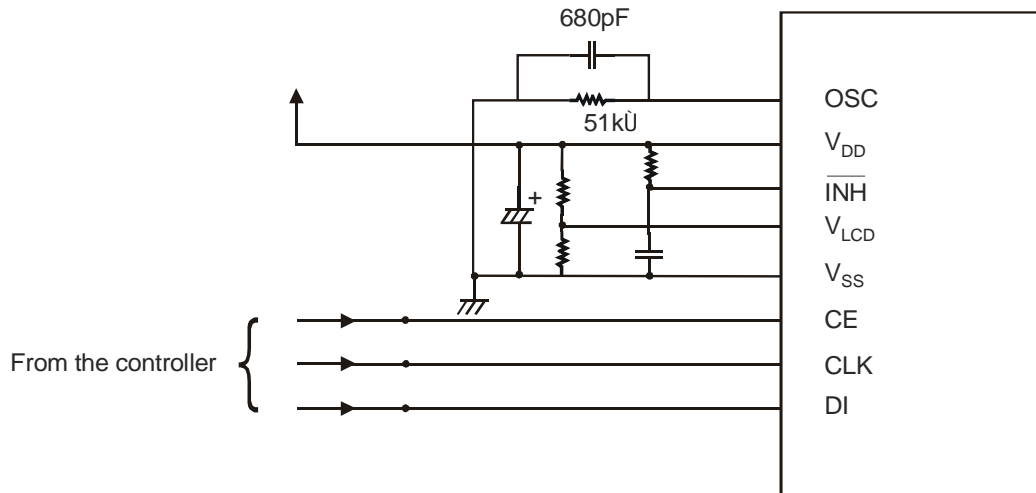
APPLICATIONS

- Electronic dictionary/calculator
- P.O.S. terminal
- Call ID device
- Pager
- Mini component system
- Electronic equipment with LCD display

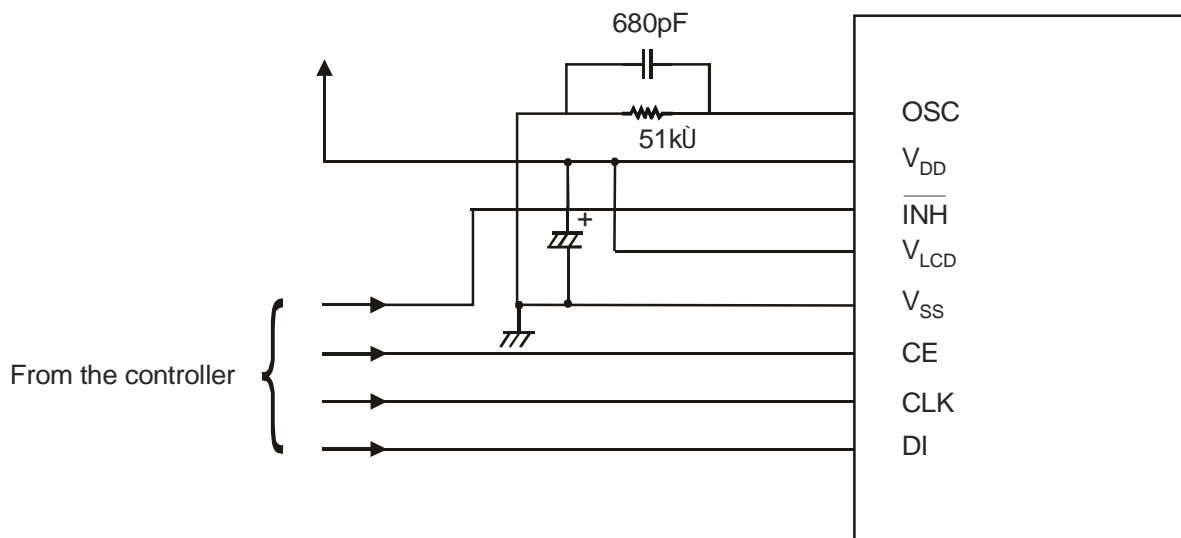
PIN CONFIGURATION



Sample Application Circuit 1



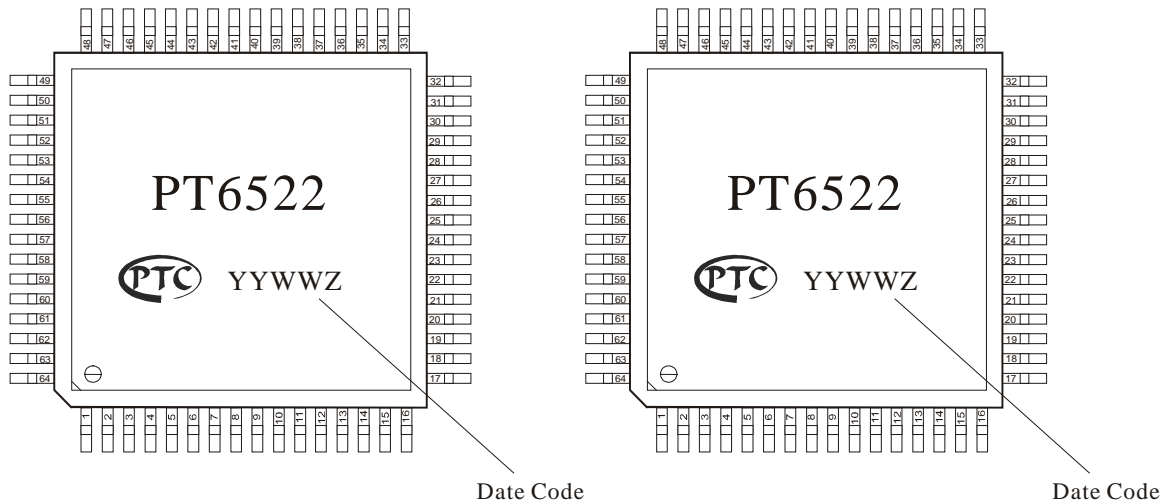
Sample Application Circuit 2



Note: When power (V_{DD}) is first applied, the internal display data is undefined and a meaningless pattern will result if the display is turned on in this state. To avoid this the display should be turned off by setting \overline{INH} low and turned on only after display data has been sent from the controller.

ORDERING INFORMATION

Valid Part Number	Package Type	Top Code
PT6522	64 pins, QFP package	PT6522
PT6522LQ	64 pins, LQFP package	PT6522LQ



Where: Z = Version
 WW = week manufactured (using the calendar year, the week where January 1st is included is defined as week 1. One year has 52 or 53 weeks.)
 YY = year manufactured (the final two digits of the year)