



# M74HC4538

## DUAL RETRIGGERABLE MONOSTABLE MULTIVIBRATOR

- HIGH SPEED :  
 $t_{PD} = 25 \text{ ns}$  (TYP.) at  $V_{CC} = 6V$
- LOW POWER DISSIPATION:  
 STAND BY STATE :  
 $I_{CC} = 4\mu\text{A}$  (MAX.) at  $T_A = 25^\circ\text{C}$   
 ACTIVE STATE :  
 $I_{CC} = 200\mu\text{A}$  (TYP.) at  $V_{CC} = 6V$
- HIGH NOISE IMMUNITY:  
 $V_{NIH} = V_{NIL} = 28\% V_{CC}$  (MIN.)
- SYMMETRICAL OUTPUT IMPEDANCE:  
 $|I_{OH}| = I_{OL} = 4\text{mA}$  (MIN)
- BALANCED PROPAGATION DELAYS:  
 $t_{PLH} \cong t_{PHL}$
- WIDE OPERATING VOLTAGE RANGE:  
 $V_{CC}$  (OPR) = 2V to 6V
- WIDE OUTPUT PULSE WIDTH RANGE :  
 $t_{WOUT} = 120 \text{ ns} \sim 60 \text{ s}$  OVER AT  $V_{CC} = 4.5 \text{ V}$
- PIN AND FUNCTION COMPATIBLE WITH  
 74 SERIES 4538



### ORDER CODES

| PACKAGE | TUBE         | T & R           |
|---------|--------------|-----------------|
| DIP     | M74HC4538B1R |                 |
| SOP     | M74HC4538M1R | M74HC4538RM13TR |
| TSSOP   |              | M74HC4538TTR    |

retriggerable. That is, they may be triggered repeatedly while their outputs are generating a pulse and the pulse will be extended. Pulse width stability over a wide range of temperature and supply is achieved using linear CMOS techniques.

The output pulse equation is simply :  
 $PW = 0.7 (R)(C)$  where PW is in seconds, R in Ohms and C is in Farads.

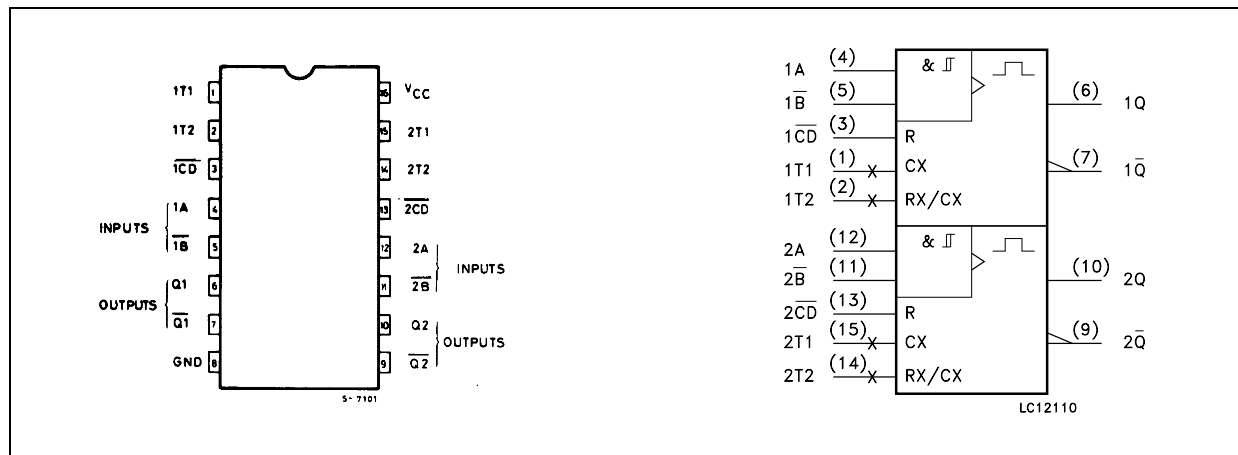
All inputs are equipped with protection circuits against static discharge and transient excess voltage.

### DESCRIPTION

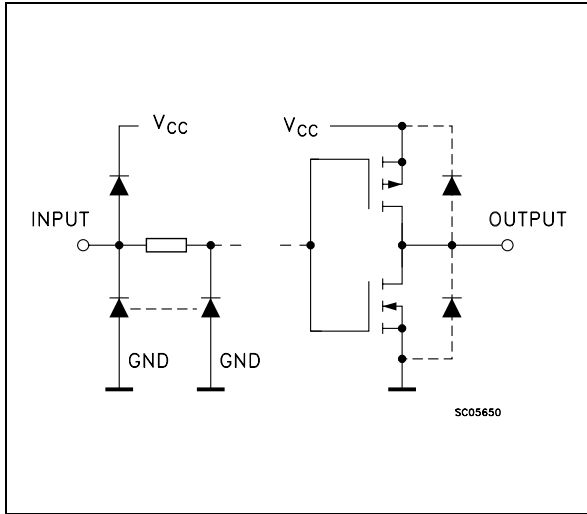
The M74HC4538 is an high speed CMOS MONOSTABLE MULTIVIBRATOR fabricated with silicon gate C<sup>2</sup>MOS technology.

Each multivibrator features both a negative A, and a positive B, edge triggered input, either of which can be used as an inhibit input. Also included is a clear input that when taken low resets the one shot. The monostable multivibrator are

### PIN CONNECTION AND IEC LOGIC SYMBOLS



INPUT AND OUTPUT EQUIVALENT CIRCUIT



PIN DESCRIPTION

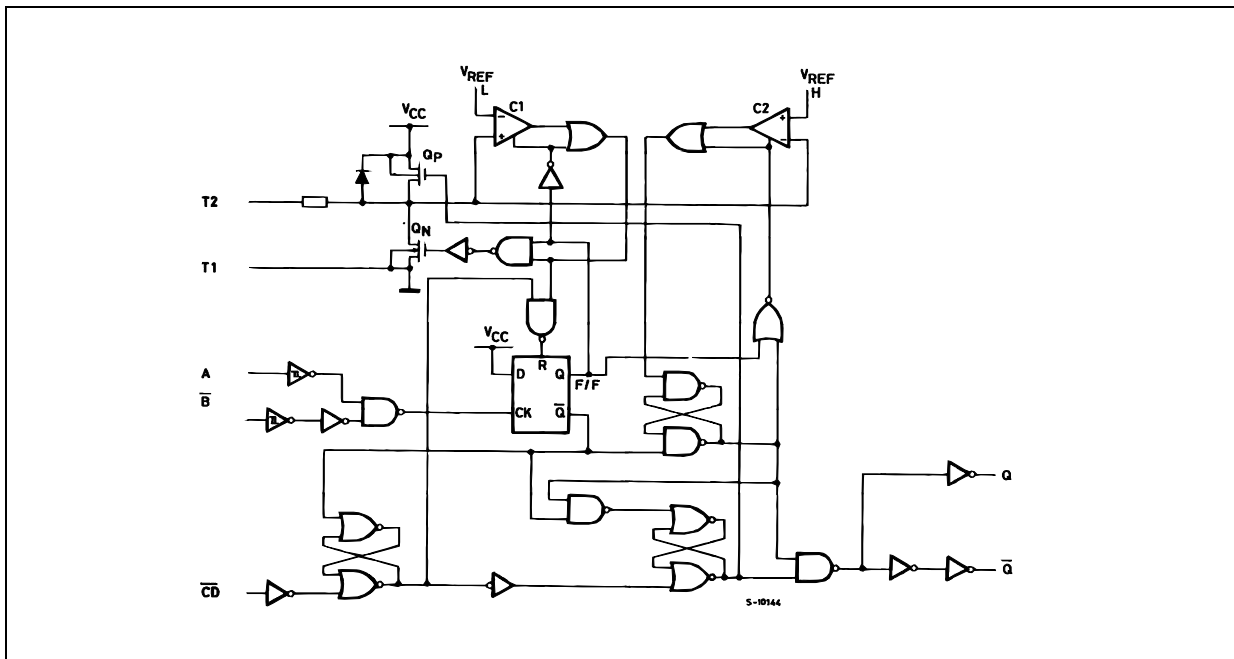
| PIN No | SYMBOL                           | NAME AND FUNCTION                            |
|--------|----------------------------------|--|
| 1, 15  | 1T1, 2T1                         | External Capacitor Connections               |
| 2, 14  | 1T2, 2T2                         | External Resistor/Capacitor Connections      |
| 3, 13  | $\overline{1CD}, \overline{2CD}$ | Direct Reset Inputs (Active Low)             |
| 4, 12  | 1A, 2A                           | Trigger Inputs (LOW to HIGH, Edge-Triggered) |
| 5, 11  | $\overline{1B}, \overline{2B}$   | Trigger Inputs (HIGH to LOW, Edge Triggered) |
| 6, 10  | Q1, Q2                           | Pulse Outputs                                |
| 7, 9   | $\overline{Q1}, \overline{Q2}$   | Complementary Pulse Outputs                  |
| 8      | GND                              | Ground (0V)                                  |
| 16     | Vcc                              | Positive Supply Voltage                      |

TRUTH TABLE

| INPUTS |                |                 | OUTPUTS |                | NOTE          |
|--------|----------------|-----------------|---------|----------------|---------------|
| A      | $\overline{B}$ | $\overline{CD}$ | Q       | $\overline{Q}$ |               |
|        | H              | H               |         |                | OUTPUT ENABLE |
| X      | L              | H               | L       | H              | INHIBIT       |
| H      | X              | H               | L       | H              | INHIBIT       |
| L      |                | H               |         |                | OUTPUT ENABLE |
| X      | X              | L               | L       | H              | INHIBIT       |

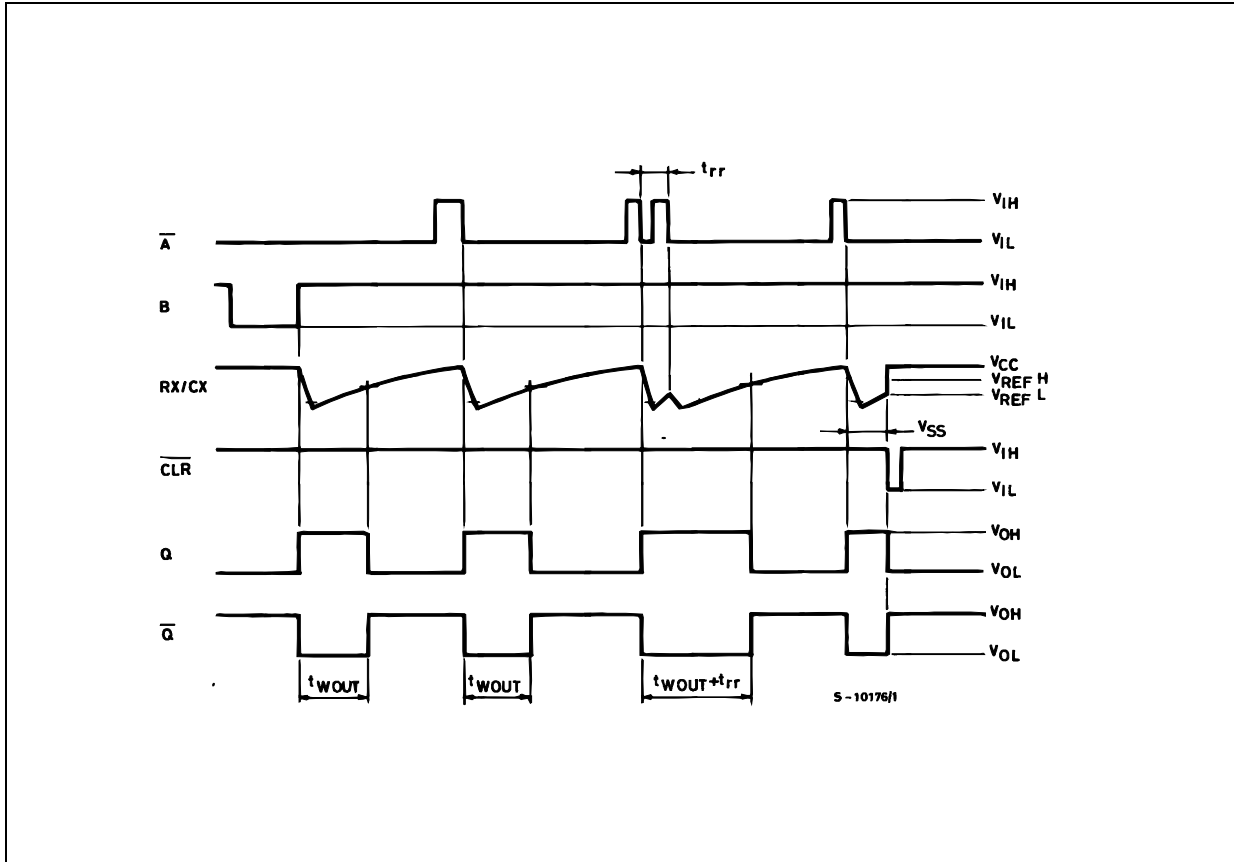
X : Don't Care

SYSTEM DIAGRAM

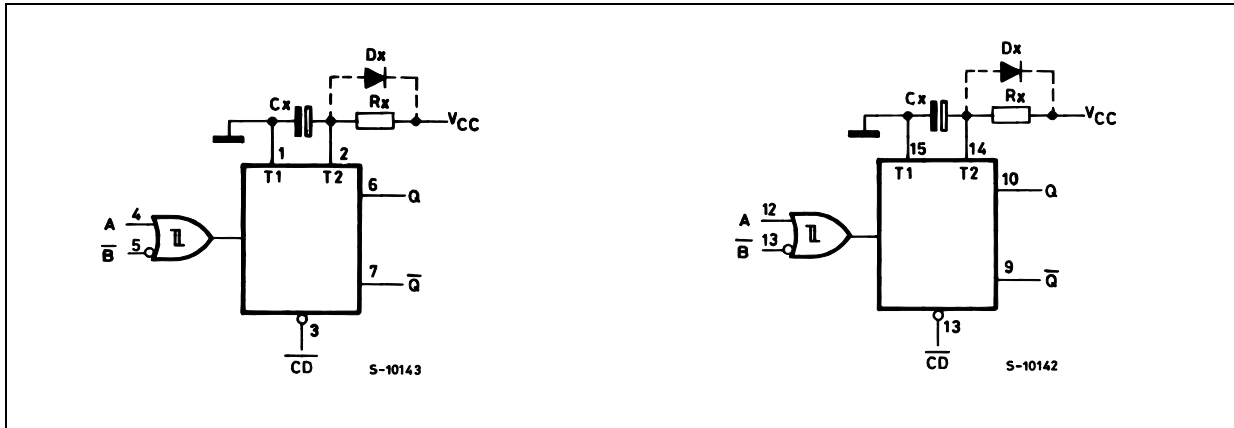


This logic diagram has not be used to estimate propagation delays

**TIMING CHART**



**BLOCK DIAGRAM**



- (1) C<sub>x</sub>, R<sub>x</sub>, D<sub>x</sub> are external components.
- (2) D<sub>x</sub> is a clamping diode.

The external capacitor is charged to V<sub>CC</sub> in the stand-by-state, i.e. no trigger. When the supply voltage is turned off C<sub>x</sub> is discharged mainly through an internal parasitic diode (see figures). If C<sub>x</sub> is sufficiently large and V<sub>CC</sub> decreases rapidly, there will be some possibility of damaging the I.C. with a surge current or latch-up. If the voltage supply filter capacitor is large enough and V<sub>CC</sub> decrease slowly, the surge current is automatically limited and damage to the I.C. is avoided. The maximum forward current of the parasitic diode is approximately 20 mA. In cases where C<sub>x</sub> is large the time taken for the supply voltage to fall to 0.4 V<sub>CC</sub> can be calculated as follows :

$$t_f \geq (V_{CC} - 0.7) \times C_x / 20\text{mA}$$

In cases where t<sub>f</sub> is too short an external clamping diode is required to protect the I.C. from the surge current.

**FUNCTIONAL DESCRIPTION****STAND-BY STATE**

The external capacitor,  $C_x$ , is fully charged to  $V_{CC}$  in the stand-by state. Hence, before triggering, transistor  $Q_p$  and  $Q_n$  (connected to the  $R_x/C_x$  node) are both turned-off. The two comparators that control the timing and the two reference voltage sources stop operating. The total supply current is therefore only leakage current.

**TRIGGER OPERATION**

Triggering occurs when :

1 st)  $A$  is "LOW" and  $\bar{B}$  has a falling edge;

2 nd)  $\bar{B}$  is "HIGH" and  $A$  has a rising edge;

After the multivibrator has been retriggered comparator  $C_1$  and  $C_2$  start operating and  $Q_n$  is turned on.  $C_x$  then discharges through  $Q_n$ . The voltage at the node  $R_x/C_x$  external falls.

When it reaches  $V_{REFL}$  the output of comparator  $C_1$  becomes low. This in turn reset the flip-flop and  $Q_n$  is turned off.

At this point  $C_1$  stops functioning but  $C_2$  continues to operate.

The voltage at  $R/C$  external begins to rise with a time constant set by the external components  $R_x$ ,  $C_x$ .

Triggering the multivibrator causes  $Q$  to go high after internal delay due to the flip-flop and the gate.  $Q$  remains high until the voltage at  $R/C$  external rises again to  $V_{REFH}$ . At this point  $C_2$  output goes low and  $G$  goes low.  $C_2$  stop

operating. That means that after triggering when the voltage  $R/C$  external returns to  $V_{REFH}$  the multivibrator has returned to its MONOSTABLE STATE. In the case where  $R_x \cdot C_x$  are large enough and the discharge time of the capacitor and the delay time in the I.C. can be ignored, the width of the output pulse  $t_w$  (out) is as follows :

$$t_{w(OUT)} = 0.72 C_x \cdot R_x$$

**RE - TRIGGERED OPERATION**

When a second triggered pulse follows the first its effect will depend on the state of the multivibrator. If the capacitor  $C_x$  is being charged the voltage level of  $R_x/C_x$  external falls to  $V_{REFL}$  again and  $Q$  remains High i.e. the retrigger pulse arrives in a time shorter than the period  $R_x \cdot C_x$  seconds, the capacitor charging time constant. If the second trigger pulse is very close to the initial trigger pulse it is ineffective ; i.e. the second trigger must arrive in the capacitor discharge cycle to be ineffective; Hence the minimum time for a second trigger to be effective,  $t_{rr}$  (MIN.) depends on  $V_{CC}$  and  $C_x$

**RESET OPERATION**

$\overline{CD}$  is normally high. If  $\overline{CD}$  is low, the trigger is not effective because  $Q$  output goes low and trigger control flip-flop is reset.

Also transistor  $Q_p$  is turned on and  $C_x$  is charged quickly to  $V_{CC}$ . This means if  $\overline{CD}$  input goes low the IC becomes waiting state both in operating and non operating state.

**ABSOLUTE MAXIMUM RATINGS**

| Symbol                | Parameter                     | Value                  | Unit |
|-----------------------|-------------------------------|------------------------|------|
| $V_{CC}$              | Supply Voltage                | -0.5 to +7             | V    |
| $V_I$                 | DC Input Voltage              | -0.5 to $V_{CC} + 0.5$ | V    |
| $V_O$                 | DC Output Voltage             | -0.5 to $V_{CC} + 0.5$ | V    |
| $I_{IK}$              | DC Input Diode Current        | $\pm 20$               | mA   |
| $I_{OK}$              | DC Output Diode Current       | $\pm 20$               | mA   |
| $I_O$                 | DC Output Current             | $\pm 25$               | mA   |
| $I_{CC}$ or $I_{GND}$ | DC $V_{CC}$ or Ground Current | $\pm 50$               | mA   |
| $P_D$                 | Power Dissipation             | 500(*)                 | mW   |
| $T_{stg}$             | Storage Temperature           | -65 to +150            | °C   |
| $T_L$                 | Lead Temperature (10 sec)     | 300                    | °C   |

Absolute Maximum Ratings are those values beyond which damage to the device may occur. Functional operation under these conditions is not implied

(\*) 500mW at 65 °C; derate to 300mW by 10mW/°C from 65°C to 85°C

## RECOMMENDED OPERATING CONDITIONS

| Symbol     | Parameter                          | Value            | Unit      |          |
|------------|------------------------------------|------------------|-----------|----------|
| $V_{CC}$   | Supply Voltage                     | 2 to 6           | V         |          |
| $V_I$      | Input Voltage                      | 0 to $V_{CC}$    | V         |          |
| $V_O$      | Output Voltage                     | 0 to $V_{CC}$    | V         |          |
| $T_{op}$   | Operating Temperature              | -55 to 125       | °C        |          |
| $t_r, t_f$ | Input Rise and Fall Time (CD only) | $V_{CC} = 2.0V$  | 0 to 1000 | ns       |
|            |                                    | $V_{CC} = 4.5V$  | 0 to 500  | ns       |
|            |                                    | $V_{CC} = 6.0V$  | 0 to 400  | ns       |
| $C_x$      | External Capacitor                 | NO LIMITATION    | pF        |          |
| $R_x$      | External Resistor                  | $V_{CC} < 3V$    | 5K to 1M  | $\Omega$ |
|            |                                    | $V_{CC} \geq 3V$ | 1K to 1M  |          |

The Maximum allowable values of  $C_x$  and  $R_x$  are a function of leakage of capacitor  $C_x$ , the leakage of device and leakage due to the board layout and surface resistance. Susceptibility to externally induced noise may occur for  $R_x > 1M\Omega$

## DC SPECIFICATIONS

| Symbol   | Parameter                 | Test Condition  |  | Value              |      |           |             |         |              | Unit    |         |
|----------|---------------------------|-----------------|--|--------------------|------|-----------|-------------|---------|--------------|---------|---------|
|          |                           | $V_{CC}$<br>(V) |  | $T_A = 25^\circ C$ |      |           | -40 to 85°C |         | -55 to 125°C |         |         |
|          |                           |                 |  | Min.               | Typ. | Max.      | Min.        | Max.    | Min.         |         | Max.    |
| $V_{IH}$ | High Level Input Voltage  | 2.0             |  | 1.5                |      |           | 1.5         |         | 1.5          |         | V       |
|          |                           | 4.5             |  | 3.15               |      |           | 3.15        |         | 3.15         |         |         |
|          |                           | 6.0             |  | 4.2                |      |           | 4.2         |         | 4.2          |         |         |
| $V_{IL}$ | Low Level Input Voltage   | 2.0             |  |                    |      | 0.5       |             | 0.5     |              | 0.5     | V       |
|          |                           | 4.5             |  |                    |      | 1.35      |             | 1.35    |              | 1.35    |         |
|          |                           | 6.0             |  |                    |      | 1.8       |             | 1.8     |              | 1.8     |         |
| $V_{OH}$ | High Level Output Voltage | 2.0             | $I_O = -20 \mu A$                          | 1.9                | 2.0  |           | 1.9         |         | 1.9          |         | V       |
|          |                           | 4.5             | $I_O = -20 \mu A$                          | 4.4                | 4.5  |           | 4.4         |         | 4.4          |         |         |
|          |                           | 6.0             | $I_O = -20 \mu A$                          | 5.9                | 6.0  |           | 5.9         |         | 5.9          |         |         |
|          |                           | 4.5             | $I_O = -4.0 mA$                            | 4.18               | 4.31 |           | 4.13        |         | 4.10         |         |         |
|          |                           | 6.0             | $I_O = -5.2 mA$                            | 5.68               | 5.8  |           | 5.63        |         | 5.60         |         |         |
| $V_{OL}$ | Low Level Output Voltage  | 2.0             | $I_O = 20 \mu A$                           |                    | 0.0  | 0.1       |             | 0.1     |              | 0.1     | V       |
|          |                           | 4.5             | $I_O = 20 \mu A$                           |                    | 0.0  | 0.1       |             | 0.1     |              | 0.1     |         |
|          |                           | 6.0             | $I_O = 20 \mu A$                           |                    | 0.0  | 0.1       |             | 0.1     |              | 0.1     |         |
|          |                           | 4.5             | $I_O = 4.0 mA$                             |                    | 0.17 | 0.26      |             | 0.33    |              | 0.40    |         |
|          |                           | 6.0             | $I_O = 5.2 mA$                             |                    | 0.18 | 0.26      |             | 0.33    |              | 0.40    |         |
| $I_I$    | Input Leakage Current     | 6.0             | $V_I = V_{CC}$ or GND                      |                    |      | $\pm 0.1$ |             | $\pm 1$ |              | $\pm 1$ | $\mu A$ |
| $I_I$    | Input Leakage Current     | 6.0             | $V_I = V_{CC}$ or GND<br>$R_{ext}/C_{ext}$ |                    |      | $\pm 0.1$ |             | $\pm 1$ |              | $\pm 1$ | $\mu A$ |
| $I_{CC}$ | Quiescent Supply Current  | 6.0             | $V_I = V_{CC}$ or GND                      |                    |      | 4         |             | 40      |              | 80      | $\mu A$ |
| $I_{CC}$ | Quiescent Supply Current  | 2.0             | $V_I = V_{CC}$ or GND                      |                    | 40   | 120       |             | 160     |              | 200     | $\mu A$ |
|          |                           | 4.5             | Pin 2 or 14                                |                    | 0.2  | 0.3       |             | 0.4     |              | 0.6     | mA      |
|          |                           | 6.0             | $V_{IN} = V_{CC}/2$                        |                    | 0.3  | 0.6       |             | 0.8     |              | 1.0     | mA      |

AC ELECTRICAL CHARACTERISTICS ( $C_L = 50 \text{ pF}$ , Input  $t_r = t_f = 6\text{ns}$ )

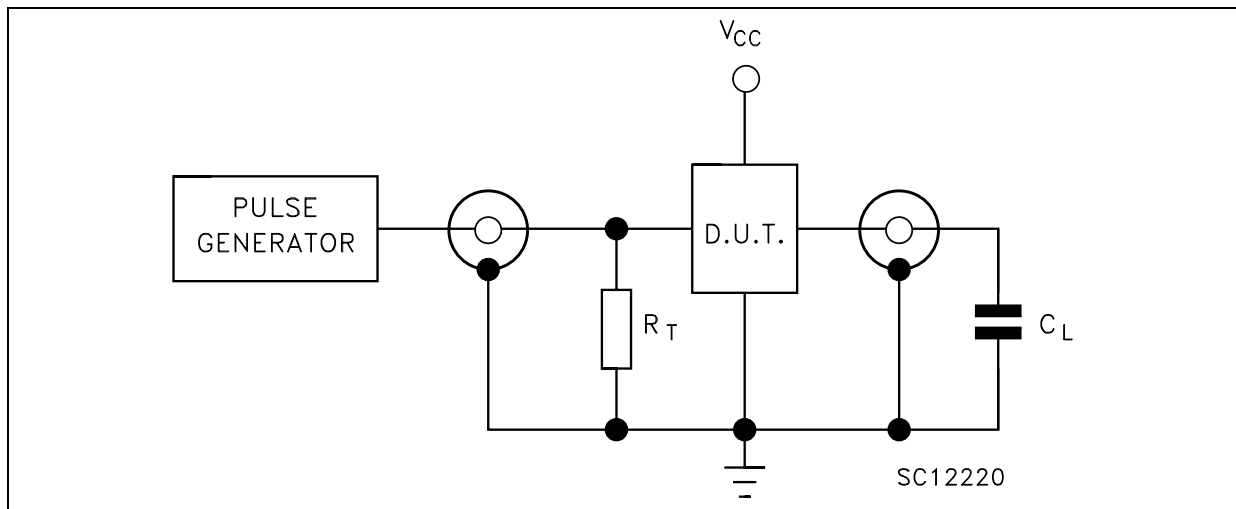
| Symbol              | Parameter  | Test Condition           |   | Value                    |      |      |                                    |      |                                     | Unit |      |               |    |
|---------------------|--|--------------------------|---|--------------------------|------|------|------------------------------------|------|-------------------------------------|------|------|---------------|----|
|                     |  | $V_{CC}$<br>(V)          |   | $T_A = 25^\circ\text{C}$ |      |      | $-40 \text{ to } 85^\circ\text{C}$ |      | $-55 \text{ to } 125^\circ\text{C}$ |      |      |               |    |
|                     |  |                          |   | Min.                     | Typ. | Max. | Min.                               | Max. | Min.                                |      | Max. |               |    |
| $t_{TLH}$ $t_{THL}$ | Output Transition Time   | 2.0                      |   |                          | 30   | 75   |                                    | 95   |                                     | 110  | ns   |               |    |
|                     |  | 4.5                      |   |                          | 8    | 15   |                                    | 19   |                                     | 22   |      |               |    |
|                     |  | 6.0                      |   |                          | 7    | 13   |                                    | 16   |                                     | 19   |      |               |    |
| $t_{PLH}$ $t_{PHL}$ | Propagation Delay Time<br>(A, $\overline{B}$ - Q, $\overline{Q}$ ) | 2.0                      |   |                          | 120  | 250  |                                    | 315  |                                     | 375  | ns   |               |    |
|                     |  | 4.5                      |   |                          | 30   | 50   |                                    | 63   |                                     | 75   |      |               |    |
|                     |  | 6.0                      |   |                          | 25   | 43   |                                    | 54   |                                     | 64   |      |               |    |
| $t_{PLH}$ $t_{PHL}$ | Propagation Delay Time<br>(CD - Q, $\overline{Q}$ )                | 2.0                      |   |                          | 100  | 195  |                                    | 245  |                                     | 295  | ns   |               |    |
|                     |  | 4.5                      |   |                          | 25   | 39   |                                    | 49   |                                     | 59   |      |               |    |
|                     |  | 6.0                      |   |                          | 20   | 33   |                                    | 42   |                                     | 50   |      |               |    |
| $t_{WOUT}$          | Output Pulse Width   | 2.0                      | Cx=0  | Rx = 5K $\Omega$         |      | 540  | 1200                               |      | 1500                                |      | 1800 | ns            |    |
|                     |  |                          |   | Rx = 1K $\Omega$         |      | 180  | 250                                |      | 320                                 |      | 375  |               |    |
|                     |  |                          |   | Rx = 1K $\Omega$         |      | 150  | 200                                |      | 260                                 |      | 320  |               |    |
|                     |  | 2.0                      | Cx = 0.01 $\mu\text{F}$<br>Rx = 10K $\Omega$              |                          | 70   | 83   | 96                                 | 70   | 96                                  | 70   | 96   | $\mu\text{s}$ |    |
|                     |  |                          |   |                          | 69   | 77   | 85                                 | 69   | 85                                  | 69   | 85   |               |    |
|                     |  |                          |   |                          | 69   | 77   | 85                                 | 69   | 85                                  | 69   | 85   |               |    |
|                     |  | 2.0                      | Cx = 0.1 $\mu\text{F}$<br>Rx = 10K $\Omega$               |                          | 0.67 | 0.75 | 0.83                               | 0.67 | 0.83                                | 0.67 | 0.9  | ms            |    |
|                     |  |                          |   |                          | 0.67 | 0.73 | 0.77                               | 0.67 | 0.77                                | 0.67 | 0.8  |               |    |
|                     |  |                          |   |                          | 0.67 | 0.73 | 0.77                               | 0.67 | 0.77                                | 0.67 | 0.8  |               |    |
|                     |  | $\Delta t_{WOUT}$        | Output Pulse Width Error Between Circuits in Same Package |                          |      |      | $\pm 1$                            |      |                                     |      |      |               | %  |
|                     |  | $t_{W(H)}$<br>$t_{W(L)}$ | Minimum Pulse Width<br>(A, $\overline{B}$ )               | 2.0                      |      |      | 30                                 | 75   |                                     | 95   |      | 110           | ns |
|                     |  |                          |   | 4.5                      |      |      | 8                                  | 15   |                                     | 19   |      | 22            |    |
| 6.0                 |  |                          |   |                          | 7    | 13   |                                    | 16   |                                     | 19   |      |               |    |
| $t_{W(L)}$          | Minimum Pulse Width<br>(CD)  | 2.0                      |   |                          | 30   | 75   |                                    | 95   |                                     | 110  | ns   |               |    |
|                     |  | 4.5                      |   |                          | 8    | 15   |                                    | 19   |                                     | 22   |      |               |    |
|                     |  | 6.0                      |   |                          | 7    | 13   |                                    | 16   |                                     | 19   |      |               |    |
| $t_{REM}$           | Minimum Clear Removal Time   | 2.0                      |   |                          | 0    | 15   |                                    | 15   |                                     | 20   | ns   |               |    |
|                     |  | 4.5                      |   |                          | 0    | 5    |                                    | 5    |                                     | 7    |      |               |    |
|                     |  | 6.0                      |   |                          | 0    | 5    |                                    | 5    |                                     |      |      |               |    |
| $t_{rr}$            | Minimum Retrigger Time   | 2.0                      | Cx = 0.1 $\mu\text{F}$<br>Rx = 1K $\Omega$                |                          | 380  |      |                                    |      |                                     |      | ns   |               |    |
|                     |  |                          |   |                          | 92   |      |                                    |      |                                     |      |      |               |    |
|                     |  |                          |   |                          | 72   |      |                                    |      |                                     |      |      |               |    |
|                     |  | 2.0                      | Cx = 0.01 $\mu\text{F}$<br>Rx = 1K $\Omega$               |                          | 6    |      |                                    |      |                                     |      |      | $\mu\text{s}$ |    |
|                     |  |                          |   |                          | 1.4  |      |                                    |      |                                     |      |      |               |    |
|                     |  |                          |   |                          | 1.2  |      |                                    |      |                                     |      |      |               |    |

**CAPACITIVE CHARACTERISTICS**

| Symbol          | Parameter                              | Test Condition         |  | Value                 |      |      |             |      |              | Unit |      |
|-----------------|--|------------------------|--|-----------------------|------|------|-------------|------|--------------|------|------|
|                 |  | V <sub>CC</sub><br>(V) |  | T <sub>A</sub> = 25°C |      |      | -40 to 85°C |      | -55 to 125°C |      |      |
|                 |  |                        |  | Min.                  | Typ. | Max. | Min.        | Max. | Min.         |      | Max. |
| C <sub>IN</sub> | Input Capacitance                      | 5.0                    |  |                       | 5    | 10   |             | 10   |              | 10   | pF   |
| C <sub>PD</sub> | Power Dissipation Capacitance (note 1) | 5.0                    |  |                       | 70   |      |             |      |              |      | pF   |

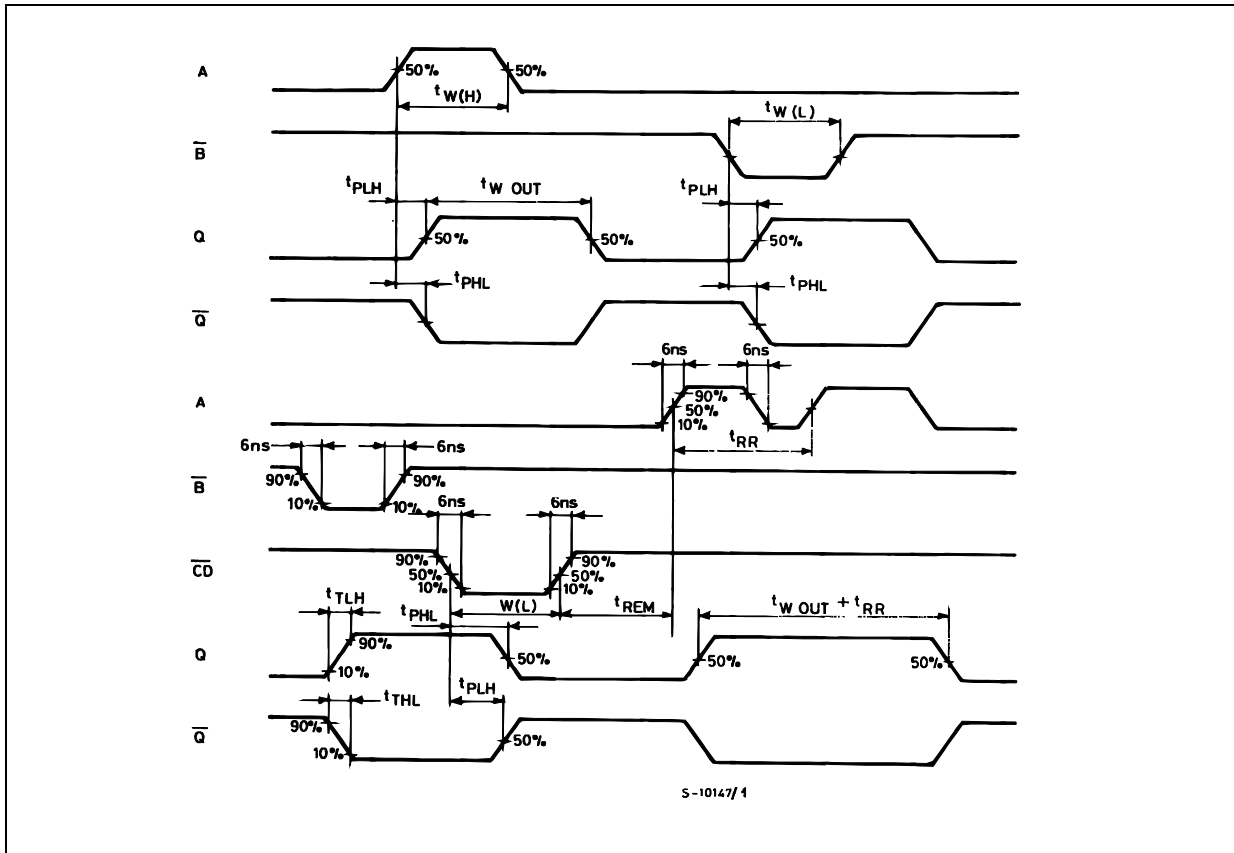
1) C<sub>PD</sub> is defined as the value of the IC's internal equivalent capacitance which is calculated from the operating current consumption without load. (Refer to Test Circuit). Average operating current can be obtained by the following equation. I<sub>CC(OPR)</sub> = C<sub>PD</sub> × V<sub>CC</sub> × f<sub>IN</sub> + I<sub>CC'</sub> Duty/100 + I<sub>c</sub>/2(per monostable) (I<sub>CC'</sub> : Active Supply current) (Duty : %)

**TEST CIRCUIT**



C<sub>L</sub> = 50pF or equivalent (includes jig and probe capacitance)  
 R<sub>T</sub> = Z<sub>OUT</sub> of pulse generator (typically 50Ω)

SWITCHING CHARACTERISTICS TEST WAVEFORM (f=1MHz; 50% duty cycle)





## SO-16 MECHANICAL DATA

| DIM. | mm.        |      |      | inch  |       |       |
|------|------------|------|------|-------|-------|-------|
|      | MIN.       | TYP. | MAX. | MIN.  | TYP.  | MAX.  |
| A    |            |      | 1.75 |       |       | 0.068 |
| a1   | 0.1        |      | 0.2  | 0.003 |       | 0.007 |
| a2   |            |      | 1.65 |       |       | 0.064 |
| b    | 0.35       |      | 0.46 | 0.013 |       | 0.018 |
| b1   | 0.19       |      | 0.25 | 0.007 |       | 0.010 |
| C    |            | 0.5  |      |       | 0.019 |       |
| c1   | 45° (typ.) |      |      |       |       |       |
| D    | 9.8        |      | 10   | 0.385 |       | 0.393 |
| E    | 5.8        |      | 6.2  | 0.228 |       | 0.244 |
| e    |            | 1.27 |      |       | 0.050 |       |
| e3   |            | 8.89 |      |       | 0.350 |       |
| F    | 3.8        |      | 4.0  | 0.149 |       | 0.157 |
| G    | 4.6        |      | 5.3  | 0.181 |       | 0.208 |
| L    | 0.5        |      | 1.27 | 0.019 |       | 0.050 |
| M    |            |      | 0.62 |       |       | 0.024 |
| S    | 8° (max.)  |      |      |       |       |       |



PO13H

**TSSOP16 MECHANICAL DATA**

| DIM. | mm.  |          |      | inch  |            |        |
|------|------|----------|------|-------|------------|--------|
|      | MIN. | TYP      | MAX. | MIN.  | TYP.       | MAX.   |
| A    |      |          | 1.2  |       |            | 0.047  |
| A1   | 0.05 |          | 0.15 | 0.002 | 0.004      | 0.006  |
| A2   | 0.8  | 1        | 1.05 | 0.031 | 0.039      | 0.041  |
| b    | 0.19 |          | 0.30 | 0.007 |            | 0.012  |
| c    | 0.09 |          | 0.20 | 0.004 |            | 0.0089 |
| D    | 4.9  | 5        | 5.1  | 0.193 | 0.197      | 0.201  |
| E    | 6.2  | 6.4      | 6.6  | 0.244 | 0.252      | 0.260  |
| E1   | 4.3  | 4.4      | 4.48 | 0.169 | 0.173      | 0.176  |
| e    |      | 0.65 BSC |      |       | 0.0256 BSC |        |
| K    | 0°   |          | 8°   | 0°    |            | 8°     |
| L    | 0.45 | 0.60     | 0.75 | 0.018 | 0.024      | 0.030  |



0080338D

Information furnished is believed to be accurate and reliable. However, STMicroelectronics assumes no responsibility for the consequences of use of such information nor for any infringement of patents or other rights of third parties which may result from its use. No license is granted by implication or otherwise under any patent or patent rights of STMicroelectronics. Specifications mentioned in this publication are subject to change without notice. This publication supersedes and replaces all information previously supplied. STMicroelectronics products are not authorized for use as critical components in life support devices or systems without express written approval of STMicroelectronics.

© The ST logo is a registered trademark of STMicroelectronics

© 2001 STMicroelectronics - Printed in Italy - All Rights Reserved  
STMicroelectronics GROUP OF COMPANIES

Australia - Brazil - China - Finland - France - Germany - Hong Kong - India - Italy - Japan - Malaysia - Malta - Morocco  
Singapore - Spain - Sweden - Switzerland - United Kingdom

© <http://www.st.com>

