

DATA SHEET

NE/SA/SE5534/5534A

Single low noise operational amplifier

Product data
Supersedes data of 1994 Aug 31
File under Integrated Circuits, IC11 Data Handbook

2001 Aug 03

Single low noise operational amplifier

NE/SA/SE5534/5534A

DESCRIPTION

The NE/SA/SE5534/5534A are single high-performance low noise operational amplifiers. Compared to other operational amplifiers, such as TL083, they show better noise performance, improved output drive capability, and considerably higher small-signal and power bandwidths.

This makes the devices especially suitable for application in high quality and professional audio equipment, in instrumentation and control circuits and telephone channel amplifiers. The op amps are internally compensated for gain equal to, or higher than, three. The frequency response can be optimized with an external compensation capacitor for various applications (unity gain amplifier, capacitive load, slew rate, low overshoot, etc.)

FEATURES

- Small-signal bandwidth: 10 MHz
- Output drive capability: 600 Ω , 10V_{RMS} at V_S = ± 18 V
- Input noise voltage: 4nV/ $\sqrt{\text{Hz}}$
- DC voltage gain: 100000
- AC voltage gain: 6000 at 10 kHz
- Power bandwidth: 200 kHz
- Slew rate: 13 V/ μs
- Large supply voltage range: ± 3 to ± 20 V

ORDERING INFORMATION

DESCRIPTION	TEMPERATURE RANGE	ORDER CODE	DWG #
8-Pin Plastic Small Outline (SO) package	0 °C to +70 °C	NE5534D	SOT96-1
8-Pin Plastic Dual In-Line Package (DIP)	0 °C to +70 °C	NE5534N	SOT97-1
8-Pin Plastic Small Outline (SO) package	0 °C to +70 °C	NE5534AD	SOT96-1
8-Pin Plastic Dual In-Line Package (DIP)	0 °C to +70 °C	NE5534AN	SOT97-1
8-Pin Plastic Dual In-Line Package (DIP)	-40 °C to +85 °C	SA5534N	SOT97-1
8-Pin Plastic Small Outline (SO) package	-40 °C to +85 °C	SA5534AD	SOT96-1
8-Pin Plastic Dual In-Line Package (DIP)	-40 °C to +85 °C	SA5534AN	SOT97-1
8-Pin Plastic Dual In-Line Package (DIP)	-55 °C to +125 °C	SE5534N	SOT97-1
8-Pin Plastic Dual In-Line Package (DIP)	-55 °C to +125 °C	SE5534AN	SOT97-1

PIN CONFIGURATIONS

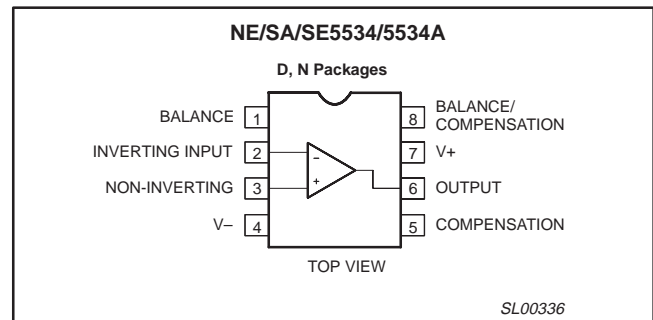


Figure 1. Pin Configuration

APPLICATIONS

- Audio equipment
- Instrumentation and control circuits
- Telephone channel amplifiers
- Medical equipment

Single low noise operational amplifier

NE/SA/SE5534/5534A

ABSOLUTE MAXIMUM RATINGS

SYMBOL	PARAMETER	RATING	UNIT
V _S	Supply voltage	±22	V
V _{IN}	Input voltage	±V supply	V
V _{DIFF}	Differential input voltage ¹	±0.5	V
T _{amb}	Operating temperature range NE SA SE	0 to +70 -40 to +85 -55 to +125	°C °C °C
T _{stg}	Storage temperature range	-65 to +150	°C
T _j	Junction temperature	150	°C
P _D	Power dissipation at 25 °C ² SO8 package DIP8 package	750 1150	mW mW
	Output short-circuit duration ³	Indefinite	
T _{sld}	Lead soldering temperature (10 sec max)	230	°C

NOTES:

- Diodes protect the inputs against over voltage. Therefore, unless current-limiting resistors are used, large currents will flow if the differential input voltage exceeds 0.6 V. Maximum current should be limited to ±10 mA.
- For operation at elevated temperature, derate packages based on the following junction-to-ambient thermal resistance:
8-pin plastic DIP 105 °C/W
8-pin plastic SO 160 °C/W
- Output may be shorted to ground at V_S = ±15 V, T_{amb} = 25 °C. Temperature and/or supply voltages must be limited to ensure dissipation rating is not exceeded.

DC ELECTRICAL CHARACTERISTICS

T_{amb} = 25 °C; V_S = ±15 V, unless otherwise specified. 1, 2, 3

SYMBOL	PARAMETER	TEST CONDITIONS	NE/SA5534/5534A			SE5534/5534A			UNIT
			Min	Typ	Max	Min	Typ	Max	
V _{OS}	Offset voltage	Over temperature		0.5	4		0.5	2	mV
ΔV _{OS} /ΔT			5	5		5	3	μV/°C	
I _{OS}	Offset current	Over temperature		20	300		10	200	nA
ΔI _{OS} /ΔT			200	400		200	500	nA	
I _B	Input current	Over temperature		500	1500		400	800	nA
ΔI _B /ΔT			5	2000		5	1500	nA	
I _{CC}	Supply current per op amp	Over temperature		4	8		4	6.5	mA
				10		9	mA		
V _{CM}	Common mode input range		±12	±13		±12	±13		V
CMRR	Common mode rejection ratio		70	100		80	100		dB
PSRR	Power supply rejection ratio			10	100		10	50	μV/V
A _{VOL}	Large-signal voltage gain	R _L ≥ 600 Ω, V _O = ±10 V	25	100		50	100		V/mV
		Over temperature	15			25			V/mV
V _{OUT}	Output swing	R _L ≥ 600 Ω	±12	±13		±12	±13		V
		Over temperature	±10	±12		±10	±12		V
		R _L ≥ 600 Ω; V _S = ±18 V	±15	±16		±15	±16		V
		R _L ≥ 2 kΩ	±13	±13.5		±13	±13.5		V
		Over temperature	±12	±12.5		±12	±12.5		V
R _{IN}	Input resistance		30	100		50	100		kΩ
I _{SC}	Output short circuit current			38			38		mA

NOTES:

- For NE5534/5534A, T_{MIN} = 0 °C, T_{MAX} = 70 °C
- For SA5534/5534A, T_{MIN} = -40 °C, T_{MAX} = +85 °C
- For SE5534/5534A, T_{MIN} = -55 °C, T_{MAX} = +125 °C

Single low noise operational amplifier

NE/SA/SE5534/5534A

AC ELECTRICAL CHARACTERISTICST_{amb} = 25 °C, V_S = ±15 V, unless otherwise specified.

SYMBOL	PARAMETER	TEST CONDITIONS	NE/SA5534/5534A			SE5534/5534A			UNIT
			Min	Typ	Max	Min	Typ	Max	
R _{OUT}	Output resistance	A _V = 30 dB closed-loop f = 10 kHz; R _L = 600 Ω; C _C = 22 pF		0.3			0.3		Ω
	Transient response	Voltage-follower, V _{IN} = 50 mV R _L = 600 Ω; C _C = 22 pF, C _L = 100 pF							
t _R	Rise time			20			20		ns
	Overshoot			20			20		%
	Transient response	V _{IN} = 50 mV, R _L = 600 Ω C _C = 47 pF, C _L = 500 pF							
t _R	Rise time			50			50		ns
	Overshoot			35			35		%
A _V	Gain	f = 10 kHz, C _C = 0 f = 10 kHz, C _C = 22 pF		6 2.2			6 2.2		V/mV V/mV
GBW	Gain bandwidth product	C _C = 22 pF, C _L = 100 pF		10			10		MHz
SR	Slew rate	C _C = 0 C _C = 22 pF		13 6			13 6		V/μs V/μs
	Power bandwidth	V _{OUT} = ±10 V, C _C = 0 pF V _{OUT} = ±10 V, C _C = 22 pF V _{OUT} = ±14 V, R _L = 600 Ω C _C = 22 pF, V _{CC} = ±18 V		200 95 70			200 95 70		kHz kHz kHz

ELECTRICAL CHARACTERISTICST_{amb} = 25 °C, V_S = 15 V, unless otherwise specified.

SYMBOL	PARAMETER	TEST CONDITIONS	NE/SA/SE5534			NE/SA/SE5534A			UNIT
			Min	Typ	Max	Min	Typ	Max	
V _{NOISE}	Input noise voltage	f _O = 30 Hz f _O = 1 kHz		7 4			5.5 3.5	7 4.5	nV/√Hz nV/√Hz
I _{NOISE}	Input noise current	f _O = 30 Hz f _O = 1 kHz		2.5 0.6			1.5 0.4		pA/√Hz pA/√Hz
	Broadband noise figure	f = 10 Hz to 20 kHz; R _S = 5 kΩ					0.9		dB
	Channel separation	f = 1 kHz; R _S = 5 kΩ		110			110		dB

Single low noise operational amplifier

NE/SA/SE5534/5534A

EQUIVALENT SCHEMATIC

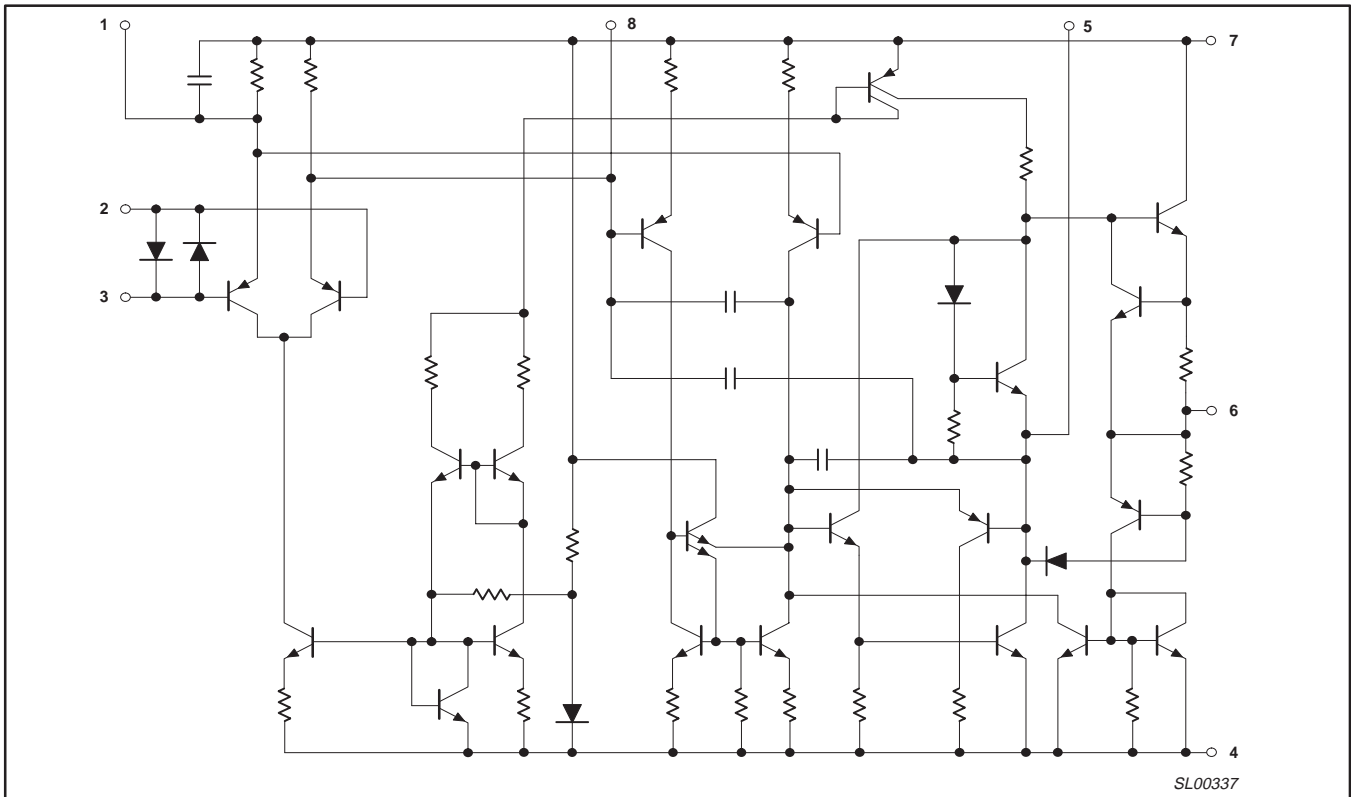


Figure 2. Equivalent Schematic

Single low noise operational amplifier

NE/SA/SE5534/5534A

TYPICAL PERFORMANCE CHARACTERISTICS

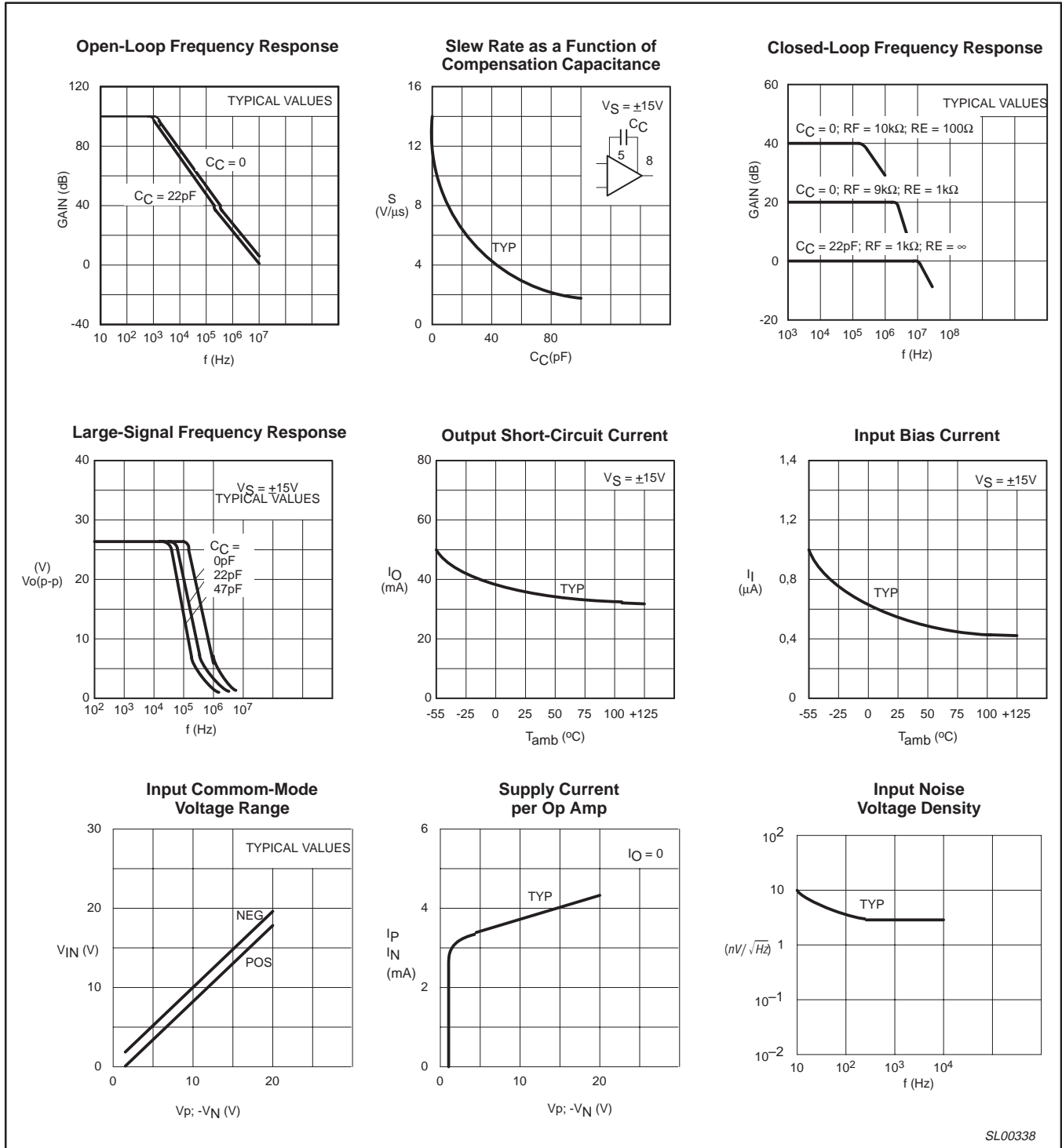


Figure 3. Typical Performance Characteristics

Single low noise operational amplifier

NE/SA/SE5534/5534A

TYPICAL PERFORMANCE CHARACTERISTICS (Continued)

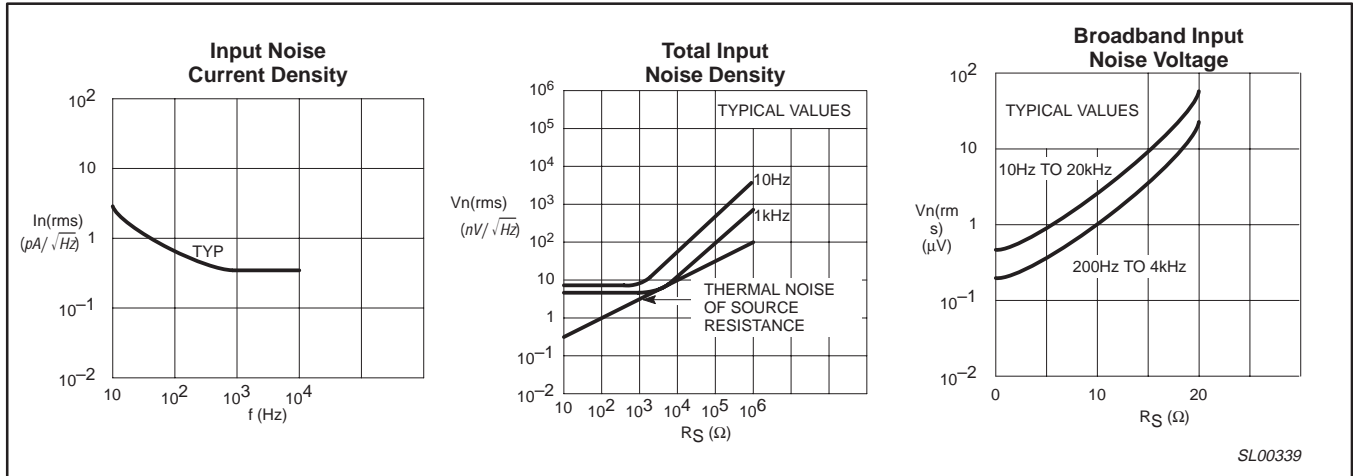


Figure 4. Typical Performance Characteristics (cont.)

TEST LOAD CIRCUITS

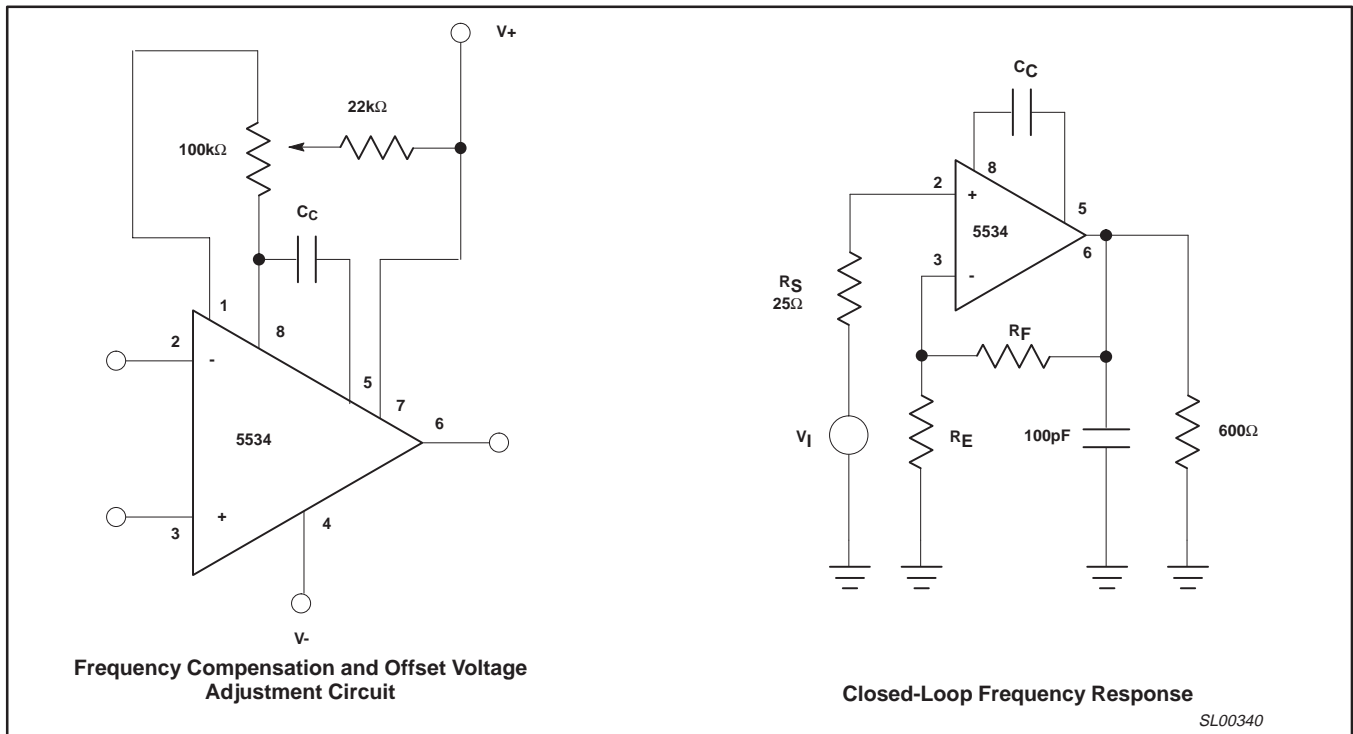


Figure 5. Test Load Circuits

Single low noise operational amplifier

NE/SA/SE5534/5534A

NOISE TEST BLOCK DIAGRAM

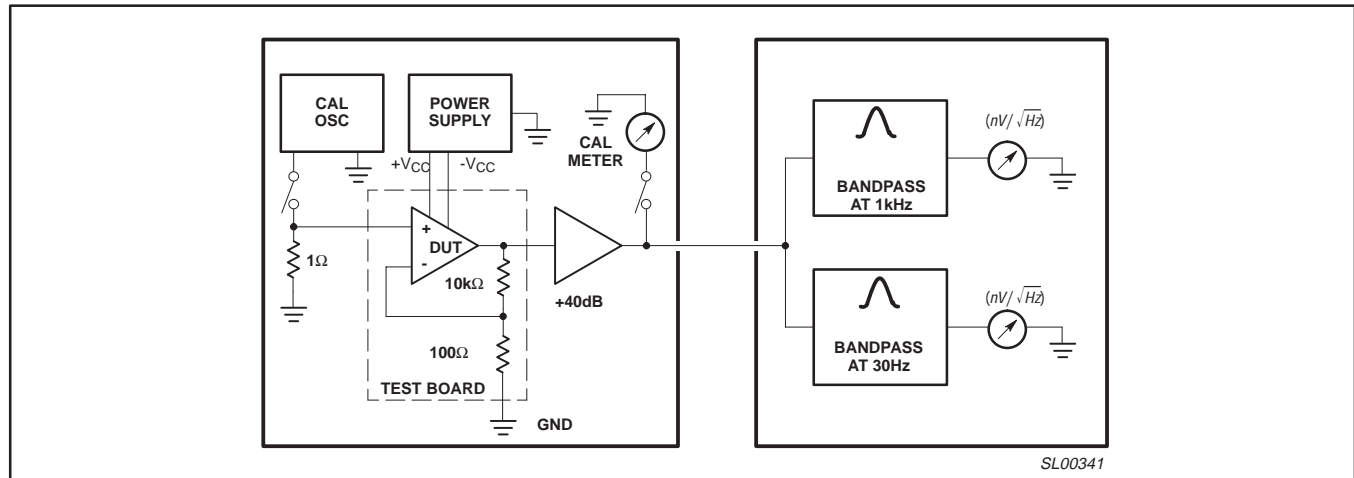


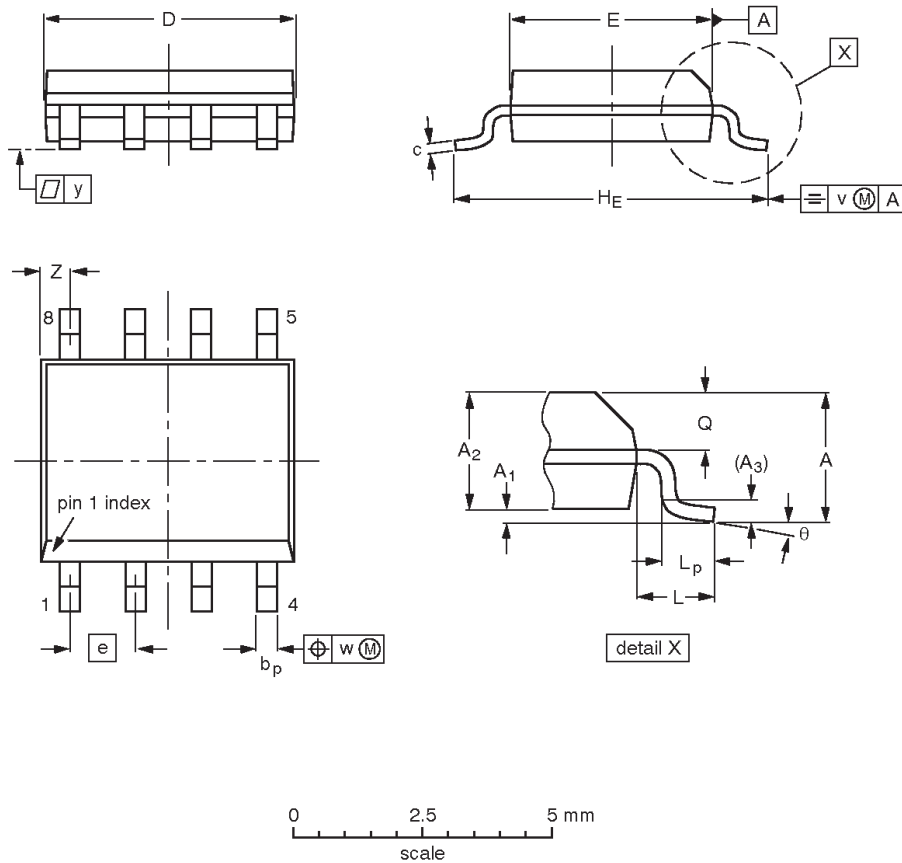
Figure 6. Noise Test Block Diagram

Single low noise operational amplifier

NE/SA/SE5534/5534A

S08: plastic small outline package; 8 leads; body width 3.9 mm

SOT96-1



DIMENSIONS (inch dimensions are derived from the original mm dimensions)

UNIT	A max.	A ₁	A ₂	A ₃	b _p	c	D ⁽¹⁾	E ⁽²⁾	e	HE	L	L _p	Q	v	w	y	Z ⁽¹⁾	θ
mm	1.75	0.25 0.10	1.45 1.25	0.25	0.49 0.36	0.25 0.19	5.0 4.8	4.0 3.8	1.27	6.2 5.8	1.05	1.0 0.4	0.7 0.6	0.25	0.25	0.1	0.7 0.3	8° 0°
inches	0.069	0.010 0.004	0.057 0.049	0.01	0.019 0.014	0.0100 0.0075	0.20 0.19	0.16 0.15	0.050	0.244 0.228	0.041	0.039 0.016	0.028 0.024	0.01	0.01	0.004	0.028 0.012	

Notes

1. Plastic or metal protrusions of 0.15 mm maximum per side are not included.
2. Plastic or metal protrusions of 0.25 mm maximum per side are not included.

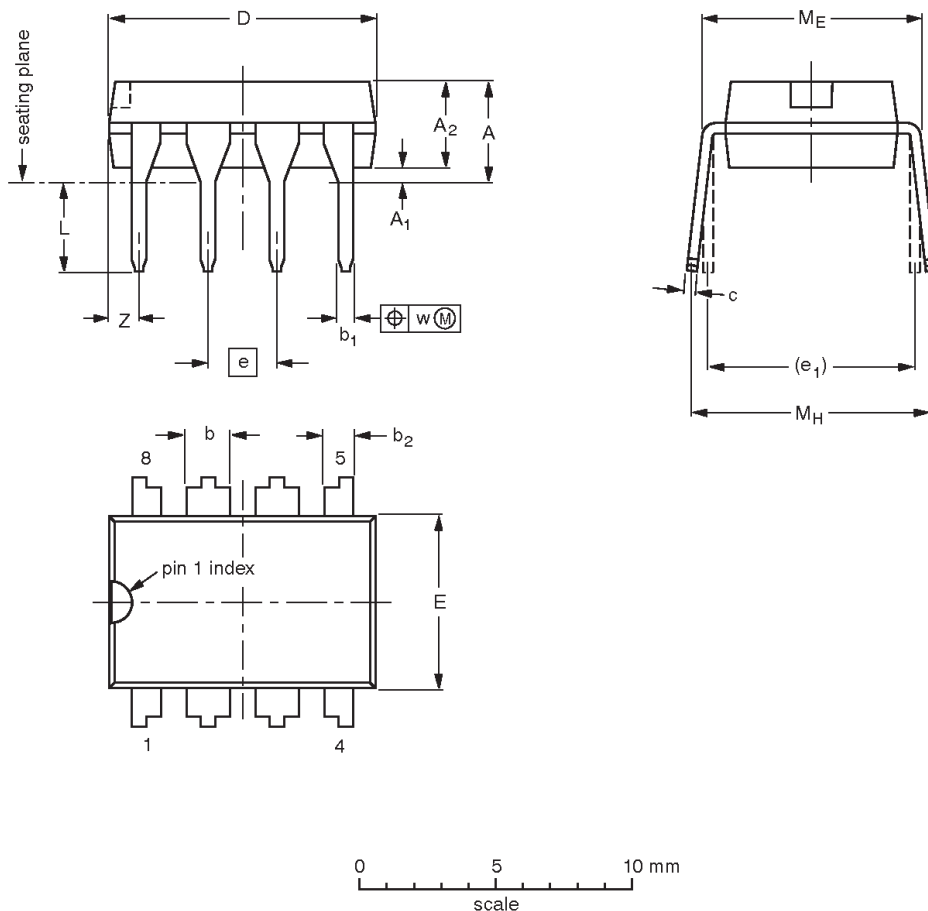
OUTLINE VERSION	REFERENCES				EUROPEAN PROJECTION	ISSUE DATE
	IEC	JEDEC	EIAJ			
SOT96-1	076E03	MS-012				97-05-22 99-12-27

Single low noise operational amplifier

NE/SA/SE5534/5534A

DIP8: plastic dual in-line package; 8 leads (300 mil)

SOT97-1



DIMENSIONS (inch dimensions are derived from the original mm dimensions)

UNIT	A max.	A ₁ min.	A ₂ max.	b	b ₁	b ₂	c	D ⁽¹⁾	E ⁽¹⁾	e	e ₁	L	M _E	M _H	w	Z ⁽¹⁾ max.
mm	4.2	0.51	3.2	1.73 1.14	0.53 0.38	1.07 0.89	0.36 0.23	9.8 9.2	6.48 6.20	2.54	7.62	3.60 3.05	8.25 7.80	10.0 8.3	0.254	1.15
inches	0.17	0.020	0.13	0.068 0.045	0.021 0.015	0.042 0.035	0.014 0.009	0.39 0.36	0.26 0.24	0.10	0.30	0.14 0.12	0.32 0.31	0.39 0.33	0.01	0.045

Note

1. Plastic or metal protrusions of 0.25 mm maximum per side are not included.

OUTLINE VERSION	REFERENCES				EUROPEAN PROJECTION	ISSUE DATE
	IEC	JEDEC	EIAJ			
SOT97-1	050G01	MO-001	SC-504-8			95-02-04 99-12-27

Single low noise operational amplifier

NE/SA/SE5534/5534A

NOTES

Single low noise operational amplifier

NE/SA/SE5534/5534A

Data sheet status

Data sheet status ^[1]	Product status ^[2]	Definitions
Objective data	Development	This data sheet contains data from the objective specification for product development. Philips Semiconductors reserves the right to change the specification in any manner without notice.
Preliminary data	Qualification	This data sheet contains data from the preliminary specification. Supplementary data will be published at a later date. Philips Semiconductors reserves the right to change the specification without notice, in order to improve the design and supply the best possible product.
Product data	Production	This data sheet contains data from the product specification. Philips Semiconductors reserves the right to make changes at any time in order to improve the design, manufacturing and supply. Changes will be communicated according to the Customer Product/Process Change Notification (CPCN) procedure SNW-SQ-650A.

[1] Please consult the most recently issued data sheet before initiating or completing a design.

[2] The product status of the device(s) described in this data sheet may have changed since this data sheet was published. The latest information is available on the Internet at URL <http://www.semiconductors.philips.com>.

Definitions

Short-form specification — The data in a short-form specification is extracted from a full data sheet with the same type number and title. For detailed information see the relevant data sheet or data handbook.

Limiting values definition — Limiting values given are in accordance with the Absolute Maximum Rating System (IEC 60134). Stress above one or more of the limiting values may cause permanent damage to the device. These are stress ratings only and operation of the device at these or at any other conditions above those given in the Characteristics sections of the specification is not implied. Exposure to limiting values for extended periods may affect device reliability.

Application information — Applications that are described herein for any of these products are for illustrative purposes only. Philips Semiconductors make no representation or warranty that such applications will be suitable for the specified use without further testing or modification.

Disclaimers

Life support — These products are not designed for use in life support appliances, devices or systems where malfunction of these products can reasonably be expected to result in personal injury. Philips Semiconductors customers using or selling these products for use in such applications do so at their own risk and agree to fully indemnify Philips Semiconductors for any damages resulting from such application.

Right to make changes — Philips Semiconductors reserves the right to make changes, without notice, in the products, including circuits, standard cells, and/or software, described or contained herein in order to improve design and/or performance. Philips Semiconductors assumes no responsibility or liability for the use of any of these products, conveys no license or title under any patent, copyright, or mask work right to these products, and makes no representations or warranties that these products are free from patent, copyright, or mask work right infringement, unless otherwise specified.

Contact information

For additional information please visit
<http://www.semiconductors.philips.com>. Fax: +31 40 27 24825

© Koninklijke Philips Electronics N.V. 2001
 All rights reserved. Printed in U.S.A.

Date of release: 12-01

For sales offices addresses send e-mail to:
sales.addresses@www.semiconductors.philips.com

Document order number:

9397 750 09179

Let's make things better.