

### Features

- Built using the advantages and compatibility of CMOS and IXYS HDMOS™ processes.
- Latch-Up Protected
- High Peak Output Current: 14A Peak
- Wide Operating Range: 4.5V to 25V
- Ability to Disable Output under Faults
- High Capacitive Load  
Drive Capability: 15nF in <30ns
- Matched Rise And Fall Times
- Low Propagation Delay Time
- Low Output Impedance
- Low Supply Current

### Applications

- Driving MOSFETs and IGBTs
- Limiting di/dt under Short Circuit
- Motor Controls
- Line Drivers
- Pulse Generators
- Local Power ON/OFF Switch
- Switch Mode Power Supplies (SMPS)
- DC to DC Converters
- Pulse Transformer Driver
- Class D Switching Amplifiers

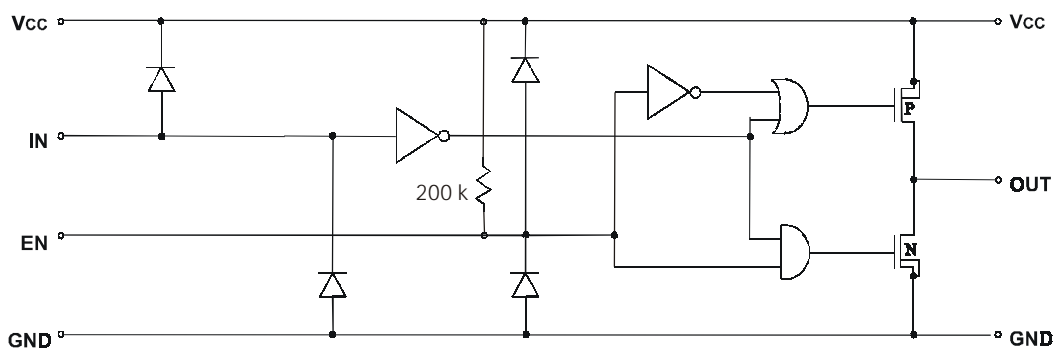
### General Description

The IXDD414 is a high speed high current gate driver specifically designed to drive the largest MOSFETs and IGBTs to their minimum switching time and maximum practical frequency limits. The IXDD414 can source and sink 14A of peak current while producing voltage rise and fall times of less than 30ns. The input of the driver is compatible with TTL or CMOS and is fully immune to latch up over the entire operating range. Designed with small internal delays, cross conduction/current shoot-through is virtually eliminated in the IXDD414. Its features and wide safety margin in operating voltage and power make the IXDD414 unmatched in performance and value.

The IXDD414 incorporates a unique ability to disable the output under fault conditions. When a logical low is forced into the Enable input, both final output stage MOSFETs (NMOS and PMOS) are turned off. As a result, the output of the IXDD414 enters a tristate mode and achieves a Soft Turn-Off of the MOSFET/IGBT when a short circuit is detected. This helps prevent damage that could occur to the MOSFET/IGBT if it were to be switched off abruptly due to a dv/dt over-voltage transient.

The IXDD414 is available in the standard 8-pin P-DIP (PI), 5-pin TO-220 (CI) and in the TO-263 (YI) surface-mount package.

**Figure 1 - Functional Diagram**



**Absolute Maximum Ratings** (Note 1)

Parameter	Value
Supply Voltage	25 V
All Other Pins	-0.3 V to $V_{CC} + 0.3$ V
Power Dissipation, $T_{AMBIENT} \leq 25$ °C	
8 Pin PDIP (PI)	975mW
TO220 (CI), TO263 (YI)	12W
Derating Factors (to Ambient)	
8 Pin PDIP (PI)	7.6mW/°C
TO220 (CI), TO263 (YI)	0.1W/°C
Storage Temperature	-65 °C to 150 °C
Lead Temperature (10 sec)	300 °C

**Operating Ratings**

Parameter	Value
Maximum Junction Temperature	150 °C
Operating Temperature Range	-40 °C to 85 °C
Thermal Impedance (Junction To Case)	
TO220 (CI), TO263 (YI) ( $\theta_{JC}$ )	0.55 °C/W

**Electrical Characteristics**

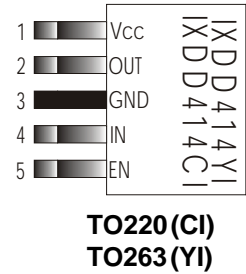
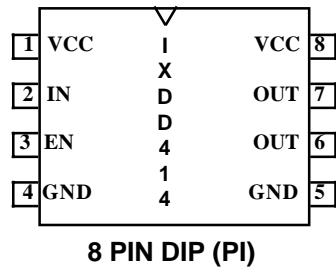
Unless otherwise noted,  $T_A = 25$  °C,  $4.5V \leq V_{CC} \leq 25V$ .

All voltage measurements with respect to GND. IXDD414 configured as described in *Test Conditions*.

Symbol	Parameter	Test Conditions	Min	Typ	Max	Units
$V_{IH}$	High input voltage		3.5			V
$V_{IL}$	Low input voltage				0.8	V
$V_{IN}$	Input voltage range		-5		$V_{CC} + 0.3$	V
$I_{IN}$	Input current	$0V \leq V_{IN} \leq V_{CC}$	-10		10	$\mu A$
$V_{OH}$	High output voltage		$V_{CC} - 0.025$			V
$V_{OL}$	Low output voltage				0.025	V
$R_{OH}$	Output resistance @ Output high	$I_{OUT} = 10mA, V_{CC} = 18V$		600	1000	m $\Omega$
$R_{OL}$	Output resistance @ Output Low	$I_{OUT} = 10mA, V_{CC} = 18V$		600	1000	m $\Omega$
$I_{PEAK}$	Peak output current	$V_{CC}$ is 18V		14		A
$I_{DC}$	Continuous output current	8 Pin Dip (PI) (Limited by pkg power dissipation) TO220 (CI), TO263 (YI)			3 4	A A
$V_{EN}$	Enable voltage range		- 0.3		$V_{CC} + 0.3$	V
$V_{ENH}$	High En Input Voltage		$2/3 V_{CC}$			V
$V_{ENL}$	Low En Input Voltage				$1/3 V_{CC}$	V
$t_R$	Rise time	$C_L = 15nF, V_{CC} = 18V$	23	25	29	ns
$t_F$	Fall time	$C_L = 15nF, V_{CC} = 18V$	21	22	26	ns
$t_{ONDLY}$	On-time propagation delay	$C_L = 15nF, V_{CC} = 18V$	29	30	33	ns
$t_{OFFDLY}$	Off-time propagation delay	$C_L = 15nF, V_{CC} = 18V$	29	31	34	ns
$t_{ENOH}$	Enable to output high delay time	$V_{CC} = 18V$			40	ns
$t_{DOLD}$	Disable to output low disable delay time	$V_{CC} = 18V$			30	ns
$V_{CC}$	Power supply voltage		4.5	18	25	V
$I_{CC}$	Power supply current	$V_{IN} = 3.5V$ $V_{IN} = 0V$ $V_{IN} = + V_{CC}$		1 0	3 10	mA $\mu A$
REN	Enable Pull-up Resistor			200		k $\Omega$

Specifications Subject To Change Without Notice

Pin Configurations



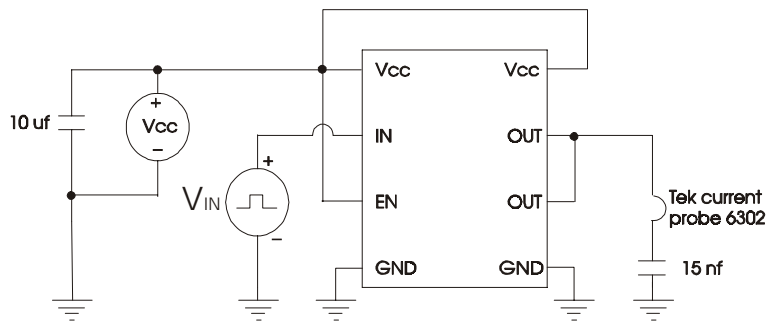
Pin Description

SYMBOL	FUNCTION	DESCRIPTION
VCC	Supply Voltage	Positive power-supply voltage input. This pin provides power to the entire chip. The range for this voltage is from 4.5V to 25V.
IN	Input	Input signal-TTL or CMOS compatible.
EN	Enable	The system enable pin. This pin, when driven low, disables the chip, forcing high impedance state to the output.
OUT	Output	Driver Output. For application purposes, this pin is connected, through a resistor, to Gate of a MOSFET/IGBT.
GND	Ground	The system ground pin. Internally connected to all circuitry, this pin provides ground reference for the entire chip. This pin should be connected to a low noise analog ground plane for optimum performance.

**Note 1:** Operating the device beyond parameters with listed “absolute maximum ratings” may cause permanent damage to the device. Typical values indicate conditions for which the device is intended to be functional, but do not guarantee specific performance limits. The guaranteed specifications apply only for the test conditions listed. Exposure to absolute maximum rated conditions for extended periods may affect device reliability.

**CAUTION:** These devices are sensitive to electrostatic discharge; follow proper ESD procedures when handling and assembling this component.

Figure 2 - Characteristics Test Diagram



Typical Performance Characteristics

Fig. 3 Rise Time vs. Supply Voltage

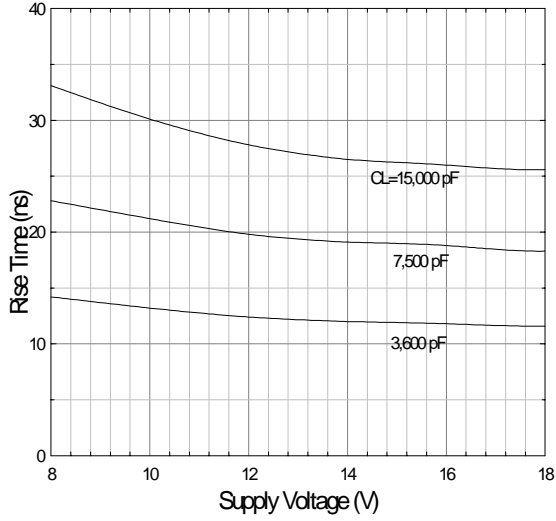


Fig. 4 Fall Time vs. Supply Voltage

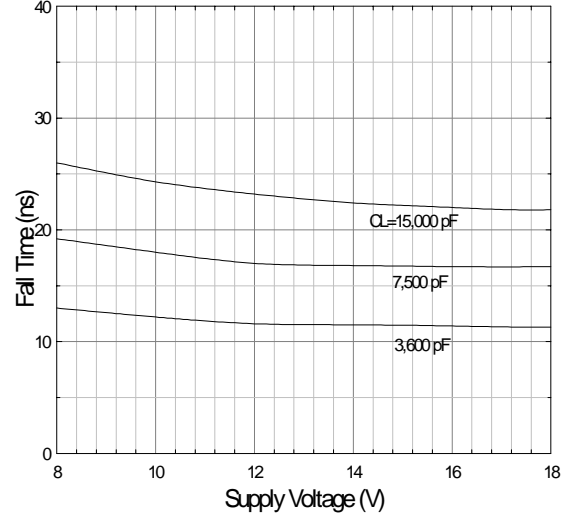


Fig. 5 Rise And Fall Times vs. Junction Temperature  
 $C_L = 15 \text{ nF}$ ,  $V_{CC} = 18\text{V}$

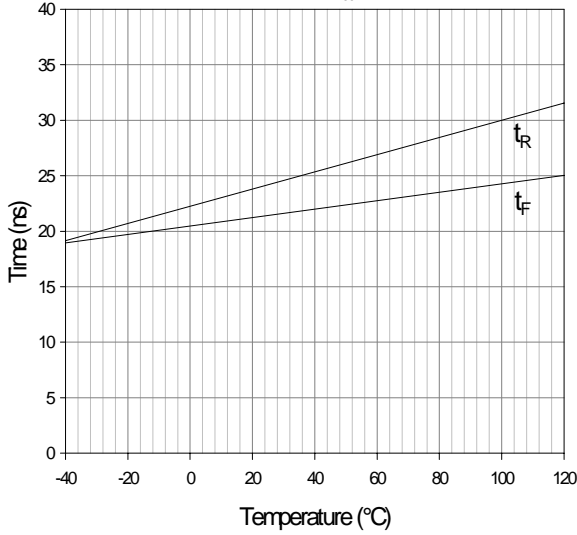


Fig. 6 Rise Time vs. Load Capacitance

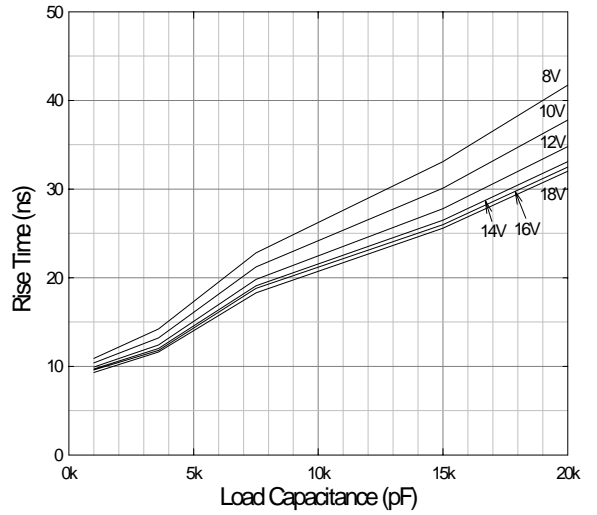


Fig. 7 Fall Time vs. Load Capacitance

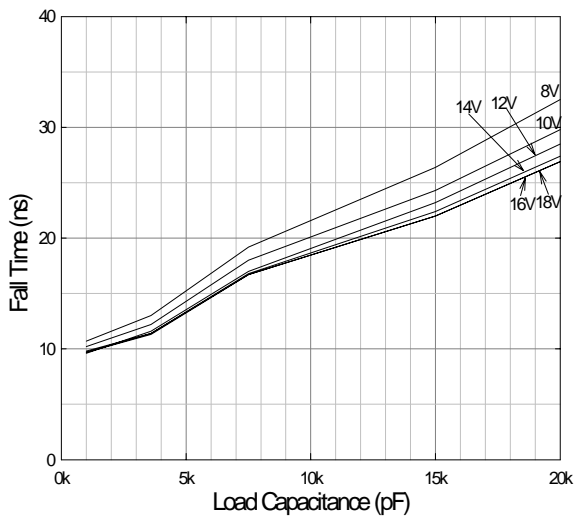


Fig. 8 Max / Min Input vs. Junction Temperature  
 $V_{CC} = 18\text{V}$ ,  $C_L = 15\text{nF}$

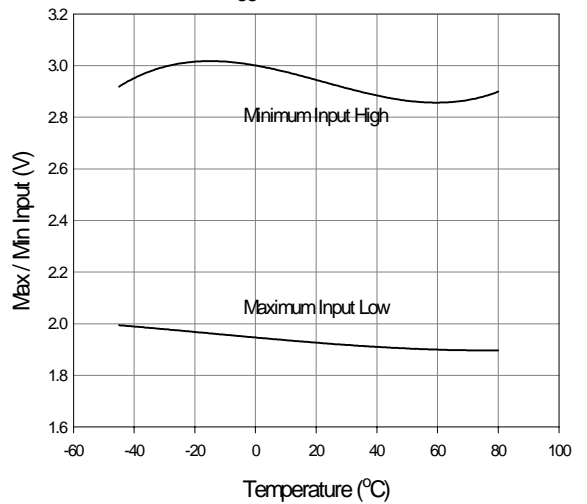


Fig. 9 Supply Current vs. Load Capacitance  
Vcc=18V

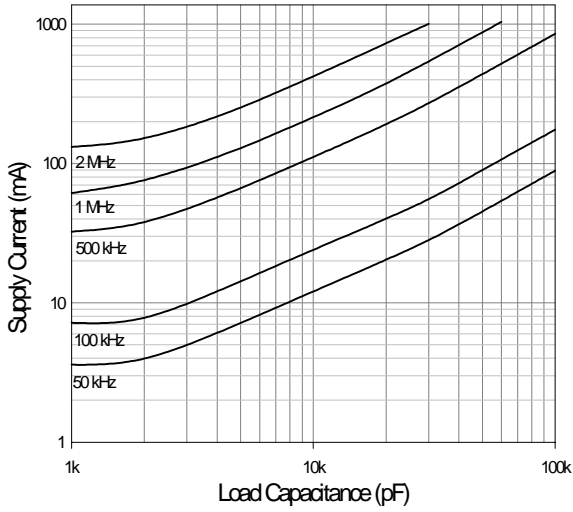


Fig. 10 Supply Current vs. Frequency  
Vcc=18V

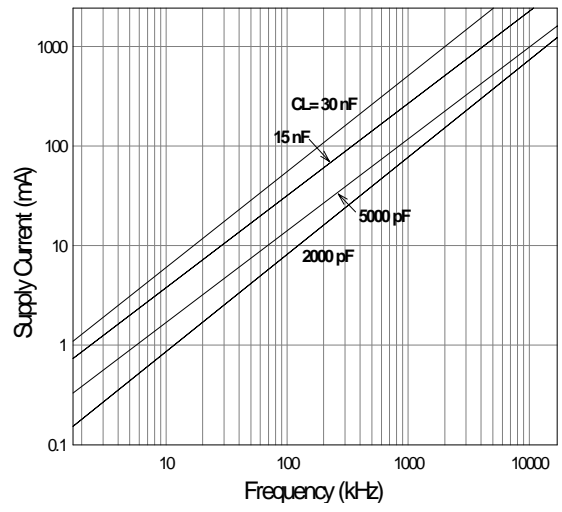


Fig. 11 Supply Current vs. Load Capacitance  
Vcc=12V

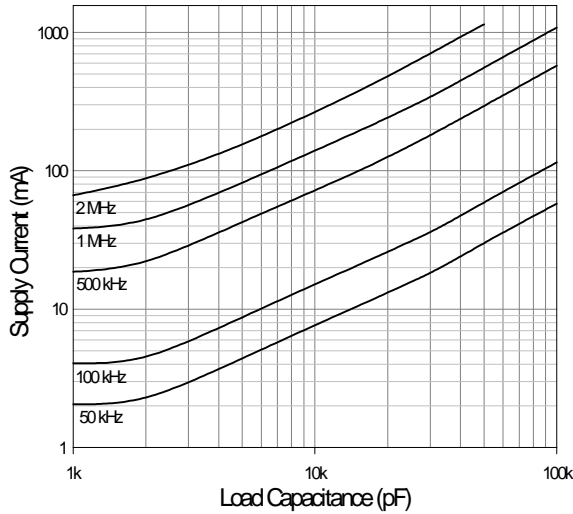


Fig. 12 Supply Current vs. Frequency  
Vcc=12V

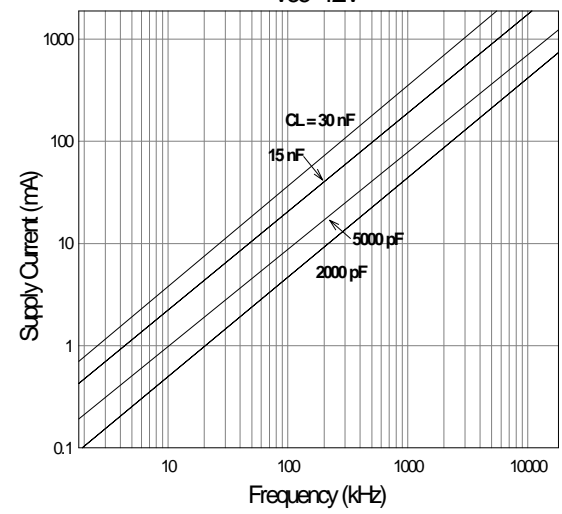


Fig. 13 Supply Current vs. Load Capacitance  
Vcc=8V

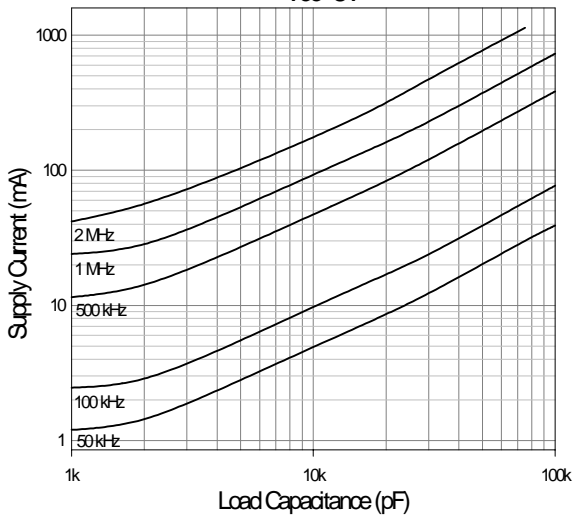


Fig. 14 Supply Current vs. Frequency  
Vcc=8V

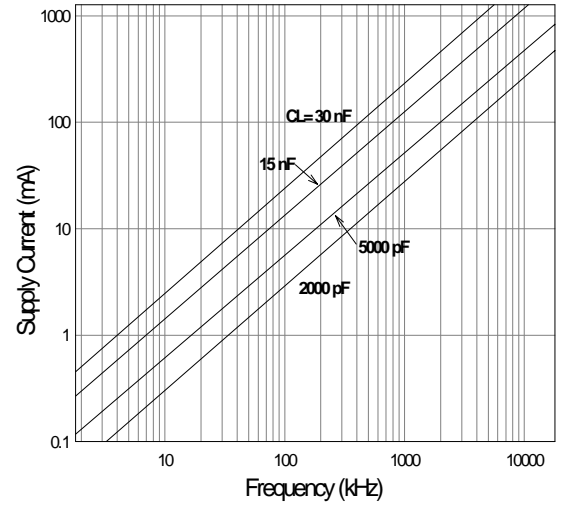


Fig. 15 Propagation Delay vs. Supply Voltage  
 $C_L=15nF$   $V_{IN}=5V@1kHz$

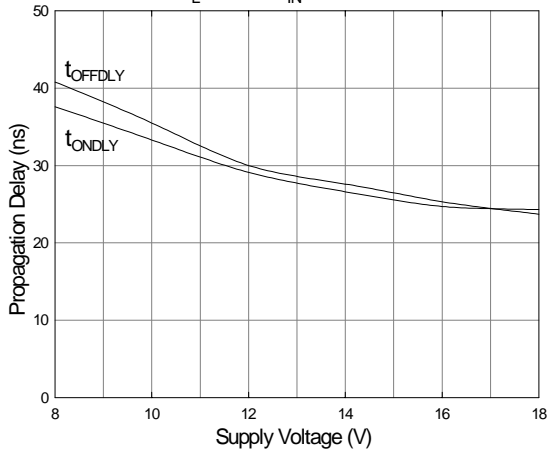


Fig. 16 Propagation Delay vs. Input Voltage  
 $C_L=15nF$   $V_{CC}=15V$

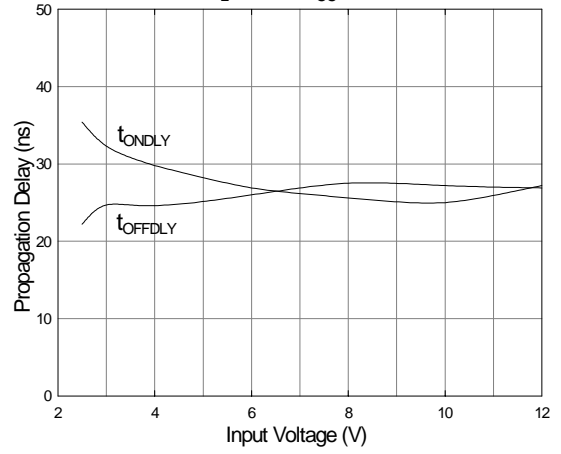


Fig. 17 Propagation Delay Times vs. Junction Temperature  
 $C_L=2500pF$ ,  $V_{CC}=18V$

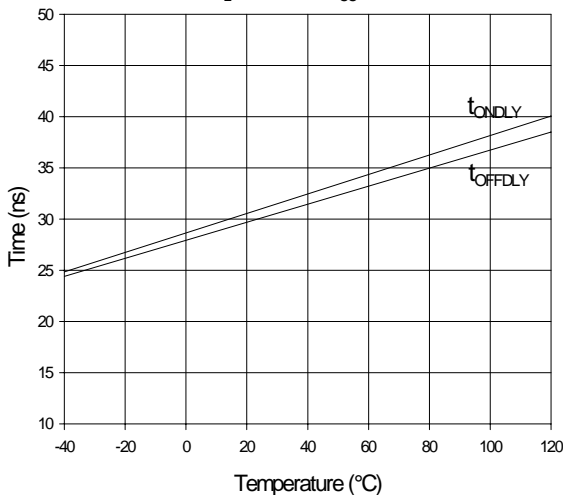


Fig. 18 Quiescent Supply Current vs. Junction Temperature  
 $V_{CC}=18V$   $V_{IN}=5V@1kHz$

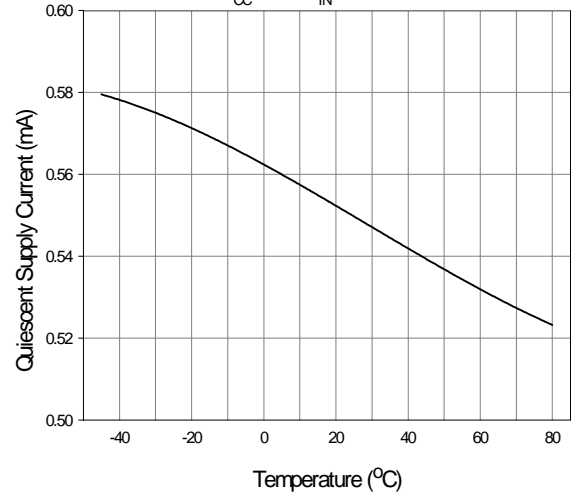


Fig. 19 P Channel Peak Output Current vs. Case Temperature  
 CI and YI Packages,  $V_{CC}=18V$   $C_L=1\mu F$

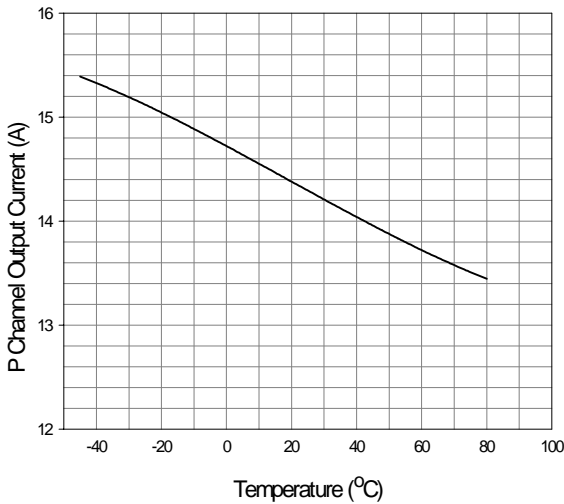


Fig. 20 N Channel Peak Output Current vs. Case Temperature  
 CI and YI Packages,  $V_{CC}=18V$   $C_L=1\mu F$

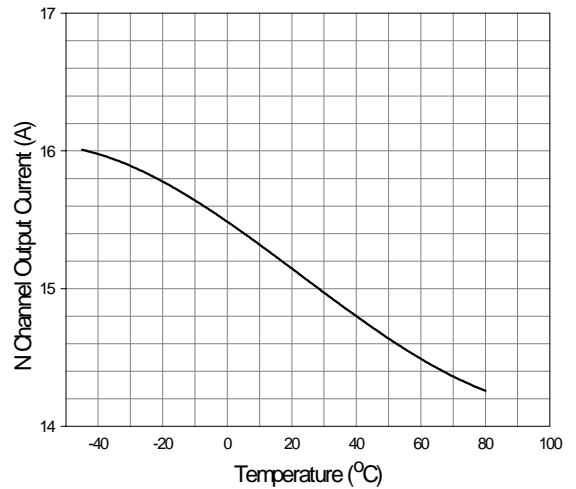


Fig. 21 Enable Threshold vs. Supply Voltage

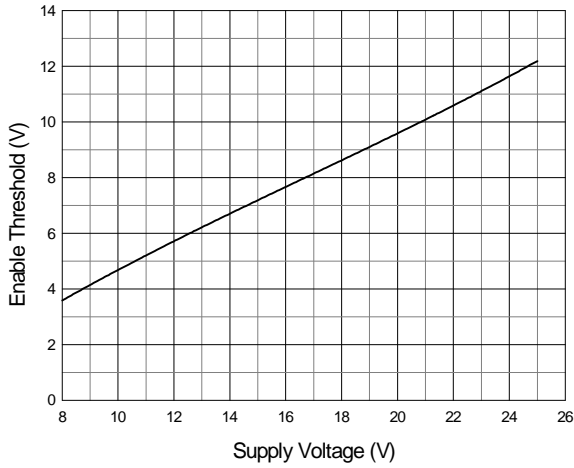


Fig. 22 High State Output Resistance vs. Supply Voltage

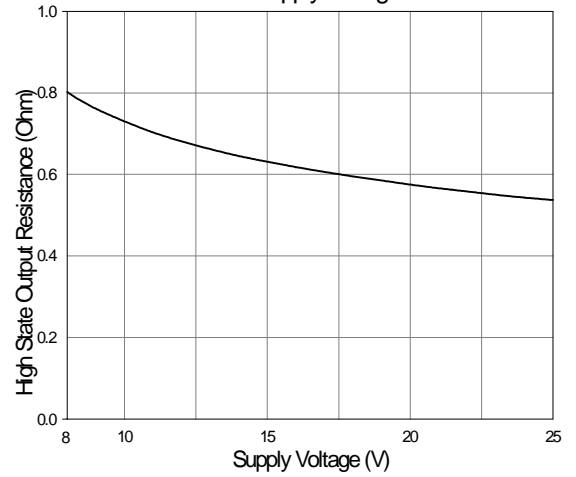


Fig. 23 Low-State Output Resistance vs. Supply Voltage

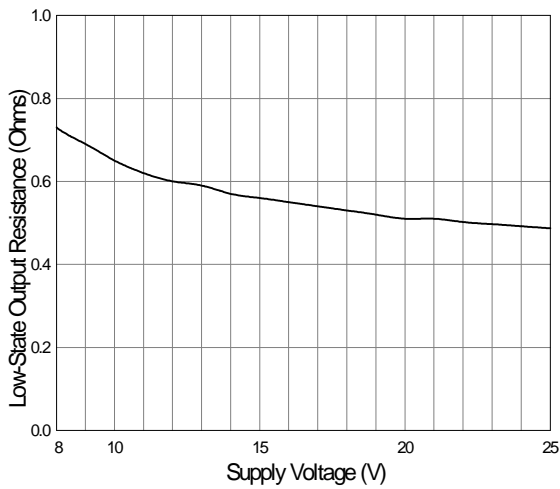


Fig. 24  $V_{CC}$  vs. P Channel Output Current  
 $C_L=1\mu F$   $V_{IN}=0-5V@1kHz$

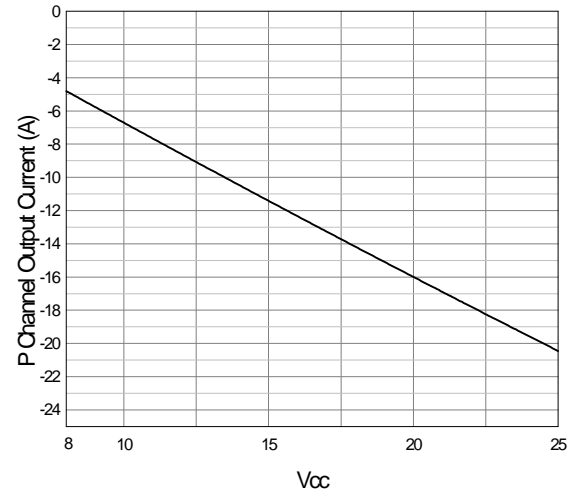


Fig. 25  $V_{CC}$  vs. N Channel Output Current  
 $C_L=1\mu F$   $V_{IN}=0-5V@1kHz$

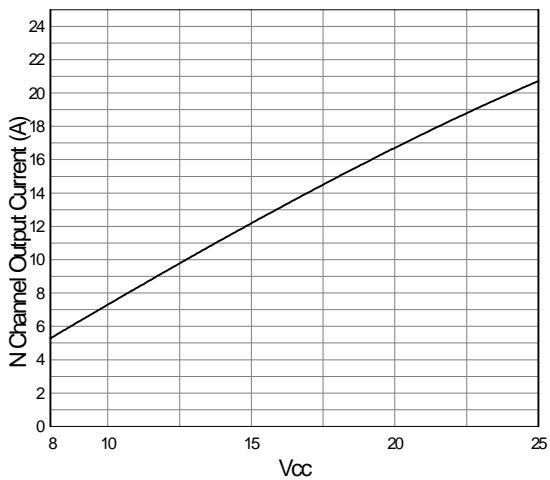
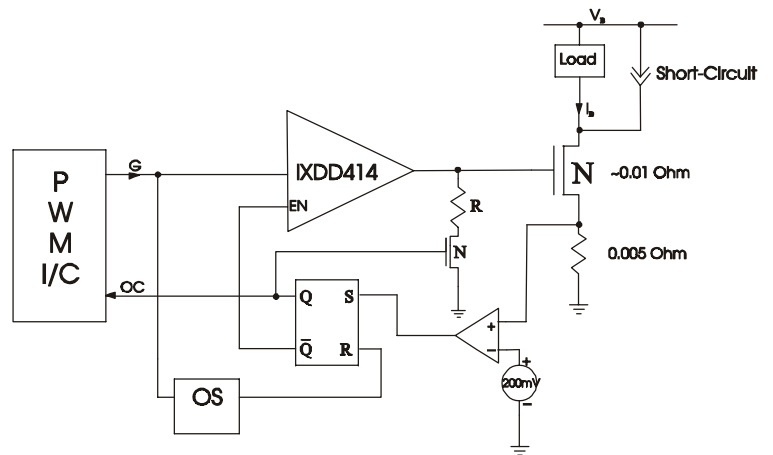


Figure 26 - Typical Application Short Circuit di/dt Limit



APPLICATIONS INFORMATION

Short Circuit di/dt Limit

A short circuit in a high-power MOSFET module such as the VM0580-02F, (580A, 200V), as shown in Figure 26, can cause the current through the module to flow in excess of 1500A for 10µs or more prior to self-destruction due to thermal runaway. For this reason, some protection circuitry is needed to turn off the MOSFET module. However, if the module is switched off too fast, there is a danger of voltage transients occurring on the drain due to  $Ldi/dt$ , (where L represents total inductance in series with drain). If these voltage transients exceed the MOSFET's voltage rating, this can cause an avalanche breakdown.

**The IXDD414 has the unique capability to softly switch off the high-power MOSFET module, significantly reducing these  $Ldi/dt$  transients.**

Thus, the IXDD414 helps to prevent device destruction from both dangers; over-current, and avalanche breakdown due to  $di/dt$  induced over-voltage transients.

The IXDD414 is designed to not only provide  $\pm 14A$  under normal conditions, but also to allow its output to go into a high impedance state. This permits the IXDD414 output to control a separate weak pull-down circuit during detected overcurrent shutdown conditions to limit and separately control  $d_{VGS}/dt$  gate turnoff. This circuit is shown in Figure 27.

Referring to Figure 27, the protection circuitry should include a comparator, whose positive input is connected to the source of the VM0580-02. A low pass filter should be added to the input of the comparator to eliminate any glitches in voltage caused by the inductance of the wire connecting the source resistor to

ground. (Those glitches might cause false triggering of the comparator).

The comparator's output should be connected to a SRFF(Set Reset Flip Flop). The flip-flop controls both the Enable signal, and the low power MOSFET gate. Please note that CMOS 4000-series devices operate with a  $V_{CC}$  range from 3 to 15 VDC, (with 18 VDC being the maximum allowable limit).

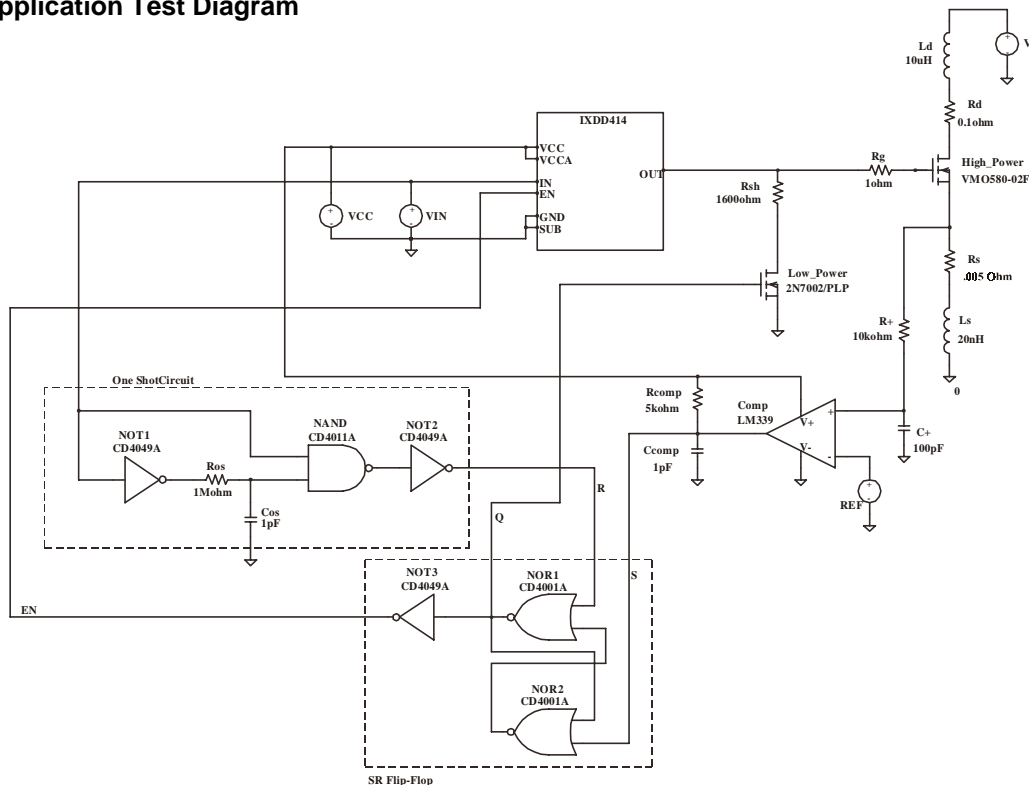
A low power MOSFET, such as the 2N7000, in series with a resistor, will enable the VM0580-02F gate voltage to drop gradually. The resistor should be chosen so that the RC time constant will be 100us, where "C" is the Miller capacitance of the VM0580-02F.

For resuming normal operation, a Reset signal is needed at the SRFF's input to enable the IXDD414 again. This Reset can be generated by connecting a One Shot circuit between the IXDD414 Input signal and the SRFF restart input. The One Shot will create a pulse on the rise of the IXDD414 input, and this pulse will reset the SRFF outputs to normal operation.

When a short circuit occurs, the voltage drop across the low-value, current-sensing resistor, ( $R_s=0.005$  Ohm), connected between the MOSFET Source and ground, increases. This triggers the comparator at a preset level. The SRFF drives a low input into the Enable pin disabling the IXDD408 output. The SRFF also turns on the low power MOSFET, (2N7000).

In this way, the high-power MOSFET module is softly turned off by the IXDD414, preventing its destruction.

Figure 27 - Application Test Diagram





## Supply Bypassing and Grounding Practices, Output Lead inductance

When designing a circuit to drive a high speed MOSFET utilizing the IXDD414, it is very important to keep certain design criteria in mind, in order to optimize performance of the driver. Particular attention needs to be paid to **Supply Bypassing**, **Grounding**, and minimizing the **Output Lead Inductance**.

Say, for example, we are using the IXDD414 to charge a 5000pF capacitive load from 0 to 25 volts in 25ns.

Using the formula:  $I = \Delta V C / \Delta t$ , where  $\Delta V = 25V$ ,  $C = 5000pF$  &  $\Delta t = 25ns$  we can determine that to charge 5000pF to 25 volts in 25ns will take a constant current of 5A. (In reality, the charging current won't be constant, and will peak somewhere around 8A).

### SUPPLY BYPASSING

In order for our design to turn the load on properly, the IXDD414 must be able to draw this 5A of current from the power supply in the 25ns. This means that there must be very low impedance between the driver and the power supply. The most common method of achieving this low impedance is to bypass the power supply at the driver with a capacitance value that is a magnitude larger than the load capacitance. Usually, this would be achieved by placing two different types of bypassing capacitors, with complementary impedance curves, very close to the driver itself. (These capacitors should be carefully selected, low inductance, low resistance, high-pulse current-service capacitors). Lead lengths may radiate at high frequency due to inductance, so care should be taken to keep the lengths of the leads between these bypass capacitors and the IXDD414 to an absolute minimum.

### GROUNDING

In order for the design to turn the load off properly, the IXDD414 must be able to drain this 5A of current into an adequate grounding system. There are three paths for returning current that need to be considered: Path #1 is between the IXDD414 and it's load. Path #2 is between the IXDD414 and it's power supply. Path #3 is between the IXDD414 and whatever logic is driving it. All three of these paths should be as low in resistance and inductance as possible, and thus as short as practical. In addition, every effort should be made to keep these three ground paths distinctly separate. Otherwise, (for instance), the returning ground current from the load may develop a voltage that would have a detrimental effect on the logic line driving the IXDD414.

### OUTPUT LEAD INDUCTANCE

Of equal importance to Supply Bypassing and Grounding are issues related to the Output Lead Inductance. Every effort should be made to keep the leads between the driver and it's load as short and wide as possible. If the driver must be placed farther than 2" from the load, then the output leads should be treated as transmission lines. In this case, a twisted-pair should be considered, and the return line of each twisted pair should be placed as close as possible to the ground pin of the driver, and connect directly to the ground terminal of the load.

## TTL to High Voltage CMOS Level Translation

The enable (EN) input to the IXDD414 is a high voltage CMOS logic level input where the EN input threshold is  $\frac{1}{2} V_{CC}$ , and may not be compatible with 5V CMOS or TTL input levels. The IXDD414 EN input was intentionally designed for enhanced noise immunity with the high voltage CMOS logic levels. In a typical gate driver application,  $V_{CC} = 15V$  and the EN input threshold at 7.5V, a 5V CMOS logical high input applied to this typical IXDD414 application's EN input will be misinterpreted as a logical low, and may cause undesirable or unexpected results. The note below is for optional adaptation of TTL or 5V CMOS levels.

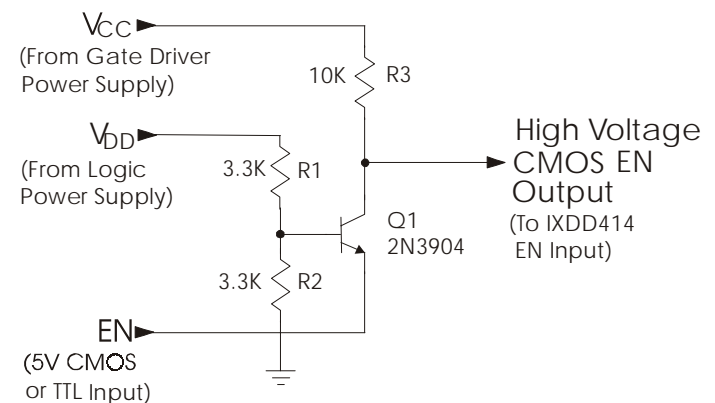
The circuit in Figure 28 alleviates this potential logic level misinterpretation by translating a TTL or 5V CMOS logic input to high voltage CMOS logic levels needed by the IXDD414 EN input. From the figure,  $V_{CC}$  is the gate driver power supply, typically set between 8V to 20V, and  $V_{DD}$  is the logic power supply, typically between 3.3V to 5.5V. Resistors R1 and R2 form a voltage divider network so that the Q1 base is positioned at the midpoint of the expected TTL logic transition levels.

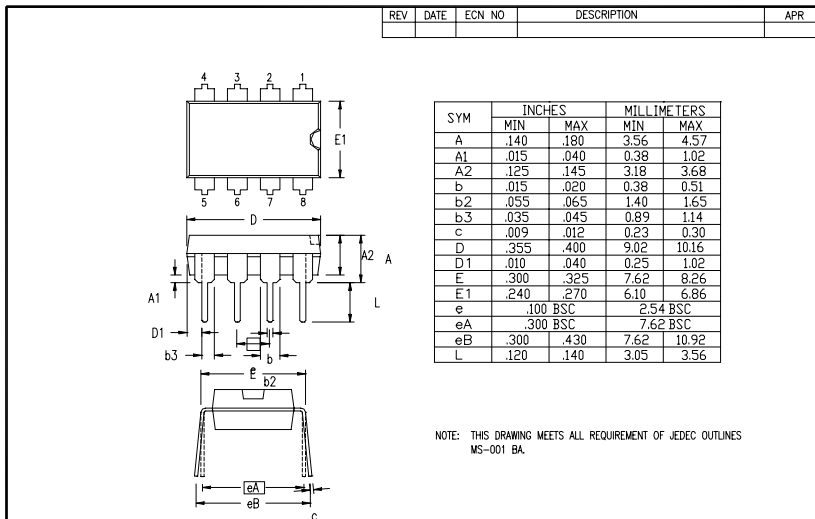
A TTL or 5V CMOS logic low,  $V_{TTLLOW} \approx < 0.8V$ , input applied to the Q1 emitter will drive it on. This causes the level translator output, the Q1 collector output to settle to  $V_{CESATQ1} + V_{TTLLOW} \approx < 2V$ , which is sufficiently low to be correctly interpreted as a high voltage CMOS logic low ( $< 1/3 V_{CC} = 5V$  for  $V_{CC} = 15V$  given in the IXDD414 data sheet.)

A TTL high,  $V_{TTLHIGH} \approx > 2.4V$ , or a 5V CMOS high,  $V_{5VCMOSHIGH} \approx > 3.5V$ , applied to the EN input of the circuit in Figure 28 will cause Q1 to be biased off. This results in Q1 collector being pulled up by R3 to  $V_{CC} = 15V$ , and provides a high voltage CMOS logic high output. The high voltage CMOS logical EN output applied to the IXDD414 EN input will enable it, allowing the gate driver to fully function as an 8 Amp output driver.

The total component cost of the circuit in Figure 28 is less than \$0.10 if purchased in quantities >1K pieces. It is recommended that the physical placement of the level translator circuit be placed close to the source of the TTL or CMOS logic circuits to maximize noise rejection.

**Figure 28 - TTL to High Voltage CMOS Level Translator**

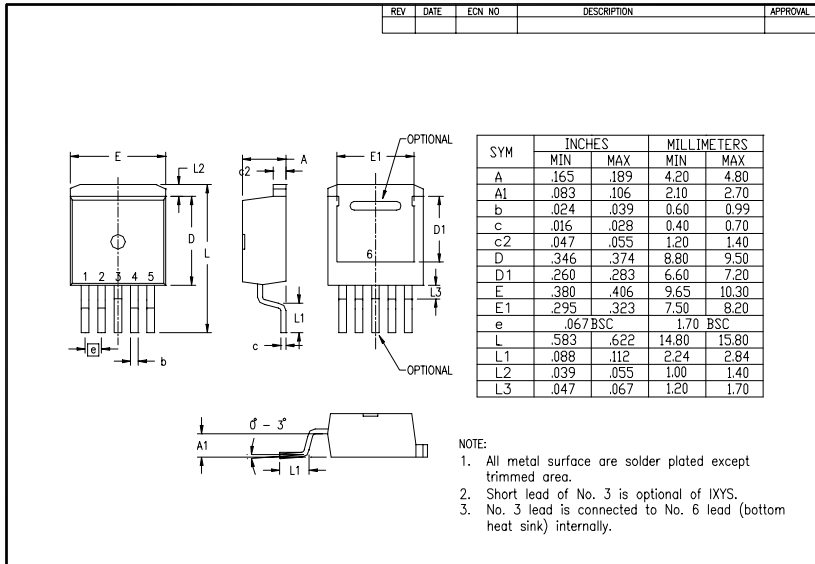




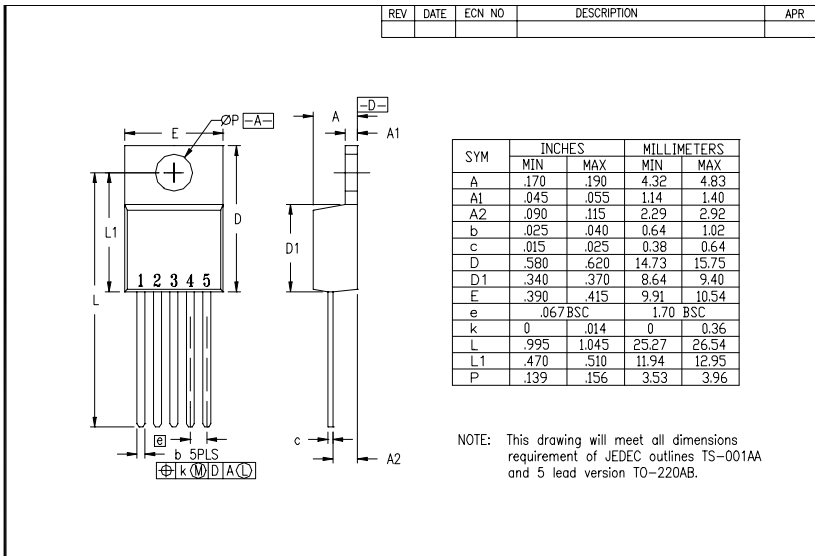
Ordering Information			
Part Number	Package Type	Temp. Range	Grade
IXDD414PI	8-Pin PDIP	-40°C to +85°C	Industrial
IXDD414YI	5-Pin TO-263	-40°C to +85°C	Industrial
IXDD414CI	5-Pin TO-220	-40°C to +85°C	Industrial

**NOTE:** Mounting or solder tabs on all packages are connected to ground

	TOLERANCE Unless Otherwise Specified X=+/- .05 XXX=+/- .005 XX=+/- .01 ANGLE=+/- 5	DATE: 8/18/94	DWN: K. R. Choi	TITLE: CASE OUTLINE OF 8 LEAD 0.3"W P-DIP	DRAWING NO: CO 0035	REV: 0
		UNIT: INCH [MM]	APR:	SCALE: 4 X		



	TOLERANCE Unless Otherwise Specified X=+/- .05 XXX=+/- .002 XX=+/- .005 ANGLE=+/- 5	DATE: 1/18/01	DWN: K. R. Choi	TITLE: CASE OUTLINE DRAWING 5 LEAD TO-263 (D2-PAK)	DRAWING NO: CO 0112	REV: 0
		UNIT: Inch[mm]	SCALE: 3X	FILE:	SHEET NO: 1 OF 1	



	TOLERANCE Unless Otherwise Specified X=+/- .05 XXX=+/- .005 XX=+/- .01 ANGLE=+/- 5	DATE: 12/16/92	DWN: K. R. Choi	TITLE: CASE OUTLINE TS-001AA (5LD TO-220)	DRAWING NO: CO 0019	REV: 0
		UNIT: INCH [MM]	SCALE: 3 X	APR:		

IXYS Corporation  
3540 Bassett St; Santa Clara, CA 95054  
Tel: 408-982-0700; Fax: 408-496-0670  
e-mail: sales@ixys.net

IXYS Semiconductor GmbH  
Edisonstrasse 15 ; D-68623; Lampertheim  
Tel: +49-6206-503-0; Fax: +49-6206-503627  
e-mail: marcom@ixys.de

Directed Energy, Inc.  
An IXYS Company  
2401 Research Blvd. Ste. 108, Ft. Collins, CO 80526  
Tel: 970-493-1901; Fax: 970-493-1903  
e-mail: deiinfo@directedenergy.com