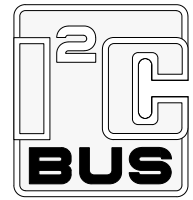


DATA SHEET



PCA9541

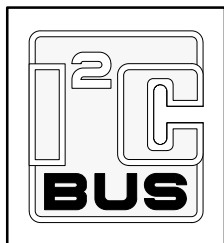
2-to-1 I²C master selector with
interrupt logic and reset

Product data

2003 Dec 02

2-to-1 I²C master selector with interrupt logic and reset

PCA9541



FEATURES

- 2-to-1 bi-directional master selector
- I²C interface logic; compatible with SMBus standards
- PCA9541/01 powers-up with Channel 0 selected
- PCA9541/02 powers-up with Channel 0 selected after STOP condition detected (bus idle) on Channel 0
- PCA9541/03 powers-up with no channel selected and either master can take control of the bus
- Active LOW Interrupt Input
- 2 Active LOW Interrupt Outputs
- Active LOW Reset Input
- 4 address pins allowing up to 16 devices on the I²C-bus
- Channel selection via I²C-bus
- Bus initialization/recovery function
- Bus traffic sensor
- Low R_{dsON} switches
- Allows voltage level translation between 1.8 V, 2.5 V, 3.3 V and 5 V buses
- No glitch on power-up
- Supports hot insertion
- Software identical for both masters
- Low stand-by current
- Operating power supply voltage range of 2.3 V to 5.5 V
- 6.0 V tolerant Inputs
- 0 to 400 kHz clock frequency
- ESD protection exceeds 2000 V HBM per JESD22-A114, 200 V MM per JESD22-A115 and 1000 V CDM per JESD22-C101
- Latch-up testing is done to JESDEC Standard JESD78 which exceeds 100 mA
- Packages offered: SO16, TSSOP16, HVQFN16

APPLICATIONS

- High reliability systems with dual masters
- Gatekeeper multiplexer on long single bus
- Bus initialization/recovery for slave devices without hardware reset
- Allows masters without arbitration logic to share resources

DESCRIPTION

The PCA9541 is a 2-to-1 I²C master selector designed for high reliability dual master I²C applications where system operation is required, even when one master fails or the controller card is removed for maintenance. The two masters (e.g., primary and back-up) are located on separate I²C-buses that connect to the same downstream I²C-bus slave devices. I²C commands are sent by either I²C-bus master and are used to select one master at a time. Either master at any time can gain control of the slave devices if the other master is disabled or removed from the system. The failed master is isolated from the system and will not affect communication between the on-line master and the slave devices on the downstream I²C-bus.

Three versions are offered for different architectures. PCA9541/01 with channel 0 selected at start-up, PCA9541/02 with channel 0 selected after start-up and after stop condition is detected, and PCA9541/03 with no channel selected after start-up.

The interrupt outputs are used to provide an indication of which master has control of the bus. One interrupt input (INT_{IN}) collects downstream information and propagates it to the 2 upstream I²C-buses (INT₀ and INT₁) if enabled. INT₀ and INT₁ are also used to let the previous bus master know that it is not in control of the bus anymore and to indicate the completion of the bus recovery/initialization sequence. Those interrupts can be disabled and will not generate an interrupt if the masking option is set.

A bus recovery/initialization if enabled sends nine clock pulses, a not acknowledge, and a stop condition in order to set the downstream I²C-bus devices to an initialized state before actually switching the channel to the selected master.

An interrupt is sent to the upstream channel when the recovery/initialization procedure is completed.

An internal bus sensor senses the downstream I²C traffic and generates an interrupt if a channel switch occurs during a non-idle bus condition. This function is enabled when the PCA9541 recovery/initialization is not used. The interrupt signal informs the master that an external I²C-bus recovery/initialization needs to be performed. It can be disabled and an interrupt will not be generated.

The pass gates of the switches are constructed such that the V_{DD} pin can be used to limit the maximum high voltage, which will be passed by the PCA9541. This allows the use of different bus voltages on each pair, so that 1.8 V 2.5 V or 3.3 V devices can communicate with 5 V devices without any additional protection.

The PCA9541 does not isolate the capacitive loading on either side of the device so the designer must take into account all trace and device capacitances on both sides of the device, and pull-up resistors must be used on all channels.

External pull-up resistors pull the bus to the desired voltage level for each channel. All I/O pins are 6.0 V tolerant.

An active-LOW Reset Input allows the PCA9541 to be initialized. Pulling the RESET pin LOW resets the I²C state machine and configures the device to its default state as does the internal power on reset function.

2-to-1 I²C master selector with interrupt logic and reset

PCA9541

ORDERING INFORMATION

PACKAGES	TEMPERATURE RANGE	ORDER CODE	TOPSIDE MARK	DRAWING NUMBER
16-Pin Plastic SO	-40 to +85 °C	PCA9541D/01	PCA9541D/01	SOT109-1
16-Pin Plastic TSSOP	-40 to +85 °C	PCA9541PW/01	9541/01	SOT403-1
16-Pin Plastic HVQFN	-40 to +85 °C	PCA9541BS/01	41/1	SOT629-1
16-Pin Plastic SO	-40 to +85 °C	PCA9541D/02	PCA9541D/02	SOT109-1
16-Pin Plastic TSSOP	-40 to +85 °C	PCA9541PW/02	9541/02	SOT403-1
16-Pin Plastic HVQFN	-40 to +85 °C	PCA9541BS/02	41/2	SOT629-1
16-Pin Plastic SO	-40 to +85 °C	PCA9541D/03	PCA9541D/03	SOT109-1
16-Pin Plastic TSSOP	-40 to +85 °C	PCA9541PW/03	9541/03	SOT403-1
16-Pin Plastic HVQFN	-40 to +85 °C	PCA9541BS/03	41/3	SOT629-1

Standard packing quantities and other packaging data is available at www.philipslogic.com/packaging.

PIN CONFIGURATION

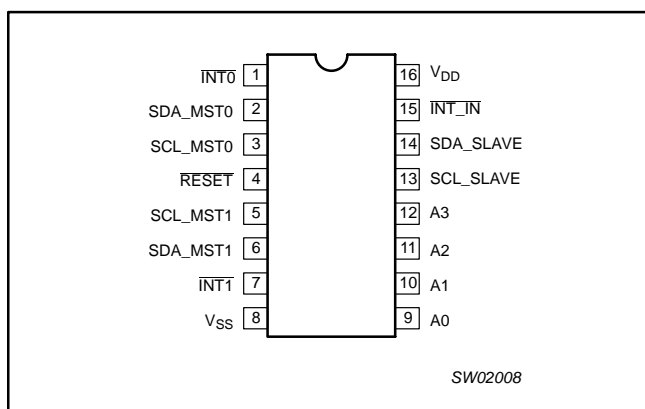


Figure 1. SO16/TSSOP16 pin configuration.

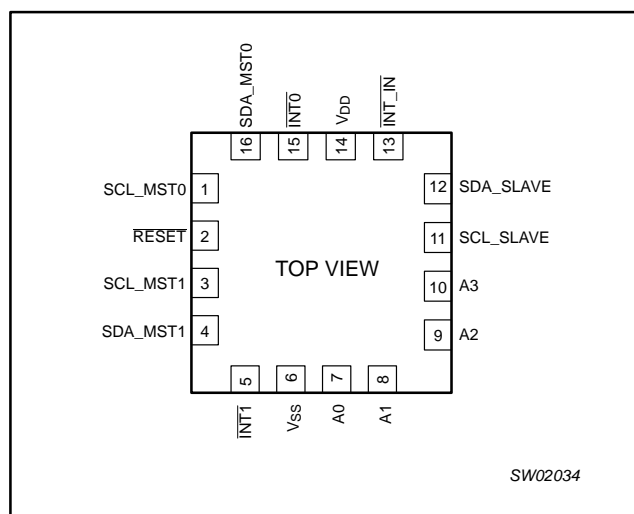


Figure 2. HVQFN16 pin configuration.

PIN DESCRIPTION

SO/TSSOP PIN NUMBER	HVQFN PIN NUMBER	SYMBOL	FUNCTION
1	15	$\overline{\text{INT0}}$	Active LOW interrupt output 0 (external pull-up required)
2	16	SDA_MST0	Serial data master 0 (external pull-up required)
3	1	SCL_MST0	Serial clock master 0 (external pull-up required)
4	2	RESET	Active LOW reset input (external pull-up required)
5	3	SCL_MST1	Serial clock master 1 (external pull-up required)
6	4	SDA_MST1	Serial data master 1 (external pull-up required)
7	5	$\overline{\text{INT1}}$	Active LOW interrupt output 1 (external pull-up required)
8	6	V _{SS}	Supply ground
9	7	A0	Address input 0 (externally held to GND or V _{CC})
10	8	A1	Address input 1 (externally held to GND or V _{CC})
11	9	A2	Address input 2 (externally held to GND or V _{CC})
12	10	A3	Address input 3 (externally held to GND or V _{CC})
13	11	SCL_SLAVE	Serial clock slave (external pull-up required)
14	12	SDA_SLAVE	Serial data slave (external pull-up required)
15	13	$\overline{\text{INT_IN}}$	Active LOW interrupt input (external pull-up required)
16	14	V _{DD}	Supply voltage

2-to-1 I²C master selector with interrupt logic and reset

PCA9541

BLOCK DIAGRAM

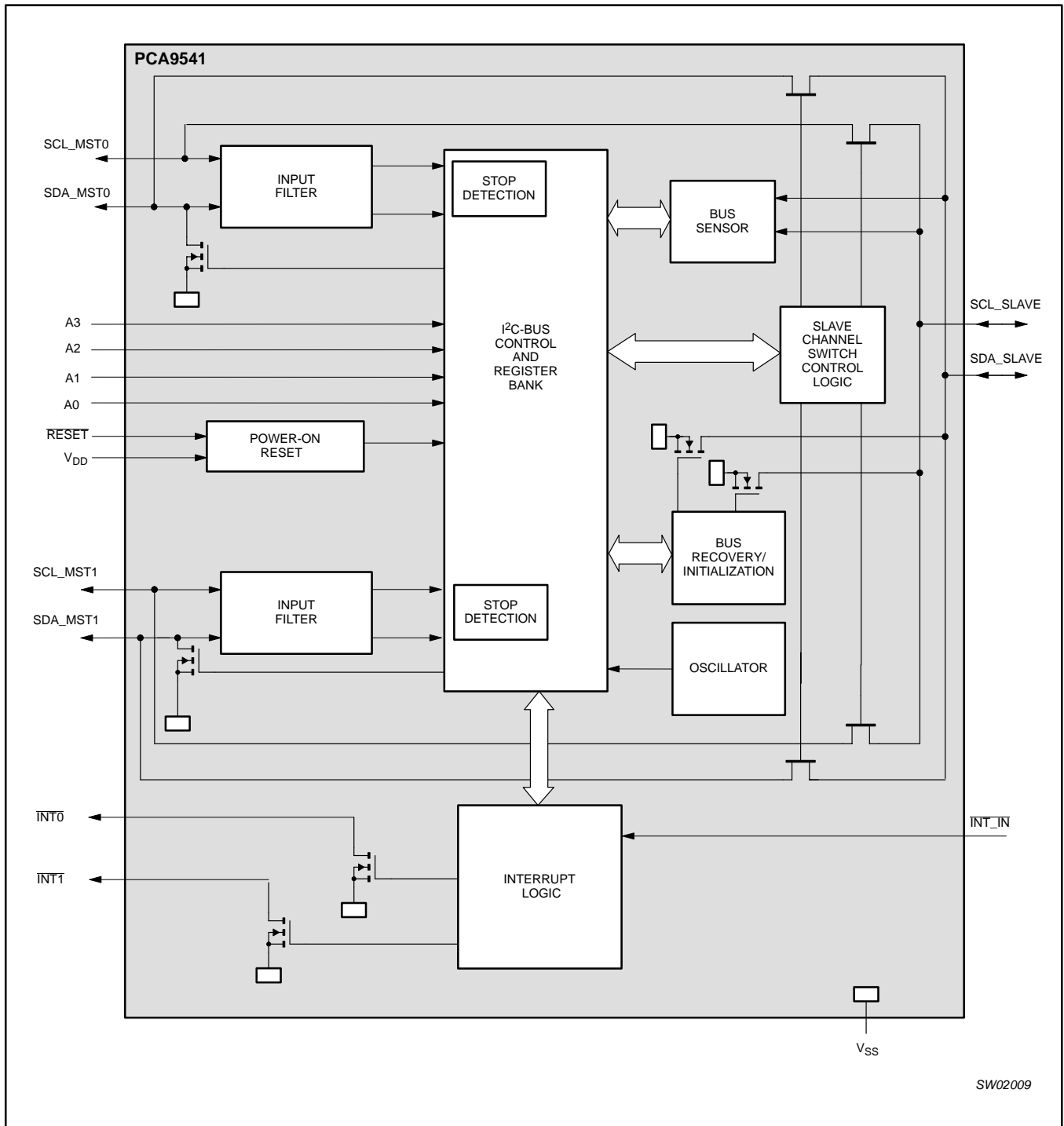


Figure 3. Block diagram

2-to-1 I²C master selector with interrupt logic and reset

PCA9541

DEVICE ADDRESS

Following a START condition, the upstream master that wants to control the I²C-bus or make a status check must send the address of the slave it is accessing. The slave address of the PCA9541 is shown in Figure 4. To conserve power, no internal pull-up resistors are incorporated on the hardware selectable pins and they must be pulled HIGH or LOW.

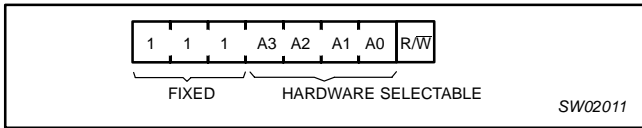


Figure 4. Slave address

The last bit of the slave address defines the operation to be performed. When set to logic 1 a read is selected while logic 0 selects a write operation.

COMMAND CODE

Following the successful acknowledgement of the slave address, the bus master will send a byte to the PCA9541, which will be stored in the Command Code register.

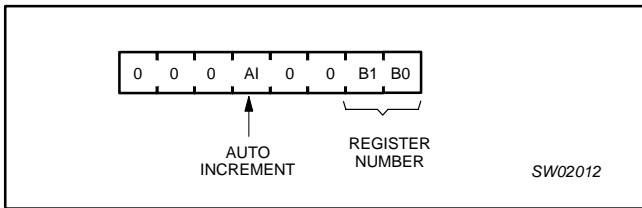


Figure 5. Command Code

The 2 LSBS are used as a pointer to determine which register will be accessed.

If the auto-increment flag is set (AI=1), the two least significant bits of the Command Code are automatically incremented after a byte has been read or written. This allows the user to program the registers sequentially or to read them sequentially.

- During a Read operation, the contents of these bits will rollover to "00" after the last allowed register is accessed ("10").
- During a Write operation, the PCA9541 will acknowledge bytes sent to the IE and CONTROL registers but will not acknowledge a byte sent to the Interrupt Status Register since it is a read-only register. The 2 LSB's of the Command Code do not roll over to 00 but stays at 10.

Only the 2 least significant bits are affected by the AI flag.

Unused bits must be programmed with zeroes. Any command code (Write operation) different from "000AI0000", "000AI0001", and "000AI0010" will not be acknowledged. At power-up, this register defaults to all zeros.

Table 1. Command Code Register

B1	B0	REGISTER NAME	TYPE	REGISTER FUNCTION
0	0	IE	Read/Write	Interrupt Enable
0	1	CONTROL	Read/Write	Control Switch
1	0	ISTAT	Read	Interrupt Status
1	1	NOT ALLOWED		

Each system master controls its own set of registers, however they can also read specific bits from the other system master.

PCA9541 INTERNAL REGISTER MAP

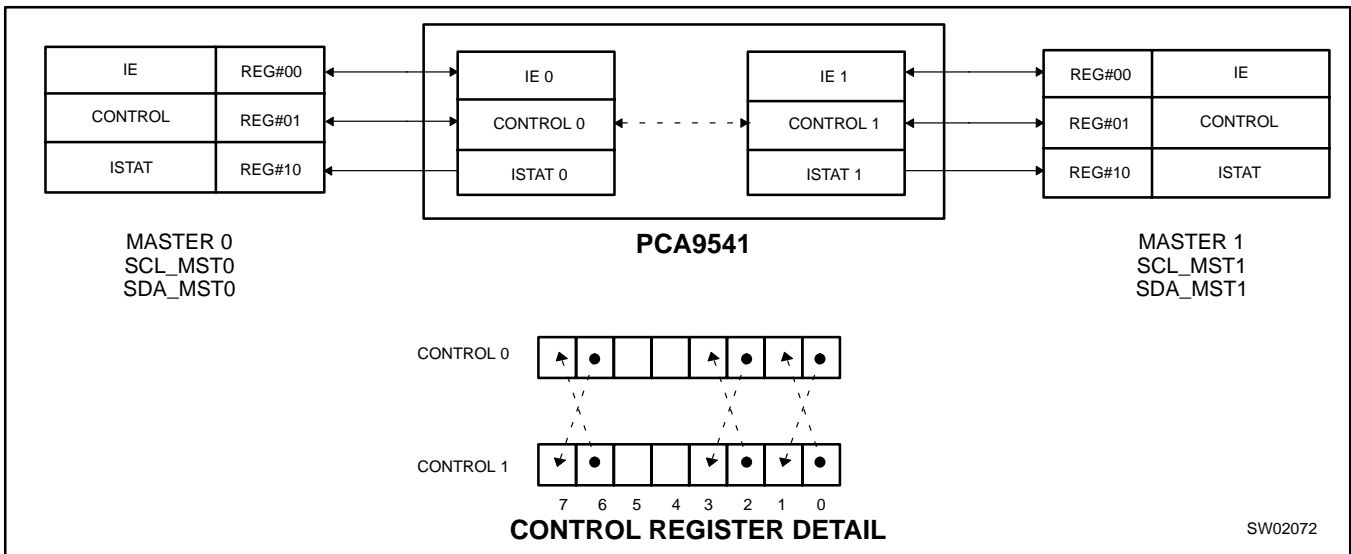


Figure 6. Internal register map

2-to-1 I²C master selector with interrupt logic and reset

PCA9541

INTERRUPT ENABLE AND CONTROL REGISTERS DESCRIPTION

When a master seeks control of the bus by connecting its I²C channel to the PCA9541 downstream channel, it has to write to the Control Register (Reg#01)

Bits MYBUS and BUSON allow the master to take control of the bus.

The MYBUS and the NMYBUS bits determine which master has control of the bus. Tables 4 and 5 explain which master gets control of the bus and how. There is no arbitration. Any master can take control of the bus when it wants regardless of whether the other master is using it or not.

The BUSON and the NBUSON bits determine whether the upstream bus is connected or disconnected to/from the downstream bus.

Internally, the state machine does the following:

- If the combination of the BUSON and the NBUSON bits causes the upstream to be disconnected from the downstream bus, then that is done. So in this case, the values of the MYBUS and the NMYBUS do not matter.
- If a master was connected to the downstream bus prior to the disconnect, then an interrupt is sent on the respective interrupt output in an attempt to let that master know that it is no longer connected to the downstream bus. This is indicated by setting the BUSLOST bit in the Interrupt Status Register.
- If the combination of the BUSON and the NBUSON bits causes a master to be connected to the downstream bus and if there is no change in the BUSON bits since when the disconnect took effect, then the master requesting the bus is connected to the downstream bus. If it requests a bus initialization sequence, then it is performed.
- If there is no change in the combination of the BUSON and the NBUSON bits and a new master wants the bus, then the downstream bus is disconnected from the old master that was using it and the new master gets control of it. Again, the bus initialization if requested is done. The appropriate interrupt signals are generated.

After a master has sent the bus control request:

1. The previous master is disconnected from the I²C-bus. An interrupt to the previous master is sent through its $\overline{\text{INT}}$ line to let it know that it lost control of the bus. BUSLOST bit in the Interrupt Status Register is set. This interrupt can be masked by setting the BUSLOSTMSK bit to 1.
2. A built-in bus initialization/recovery function can take temporary control of the downstream channel to initialize the bus before making the actual switch to the new bus master. This function is activated by setting the BUSINIT to 1 by the master during the same write sequence as the one programming MYBUS and BUSON bits.

When activated and whether the bus was previously idle or not:

- 9 clock pulses are sent on the SCL_SLAVE.
- SDA_SLAVE line is released (HIGH) when the clock pulses are sent to SCL_SLAVE. This is equivalent to sending 8 data bits and a not acknowledge
- Finally a STOP condition is sent to the downstream slave channel.

This sequence will complete any read transaction which was previously in process and the downstream slave configured as a slave-transmitter should release the SDA line because the PCA9541 did not acknowledge the last byte.

3. When the initialization has been requested and completed, the PCA9541 sends an interrupt to the new master through its $\overline{\text{INT}}$ line and connects the new master to the downstream channel. BUSINIT bit in the Interrupt Status Register is set. **The switch operation occurs after the master asking the bus control has sent a STOP command.** This interrupt can be masked by setting the BUSINITMSK bit to 1.
4. When the bus initialization/recovery function has not been requested (BUSINIT=0), the PCA9541 connects the new master to the slave downstream channel. **The switch operation occurs after the master asking the bus control has sent a STOP command.** PCA9541 sends an interrupt to the new master through its $\overline{\text{INT}}$ line if the built-in bus sensor function detects a non-idle condition in the downstream slave channel at the switching time. BUSOK bit in the Interrupt Status Register is set. This means that a STOP condition has not been detected in the previous bus communication and that an external bus recovery/initialization must be performed. If an idle condition has been detected at the switching time, no interrupt will be sent. This interrupt can be masked by setting the BUSOKMSK bit to 1.

Interrupt status can be read. See paragraph INTERRUPT STATUS REGISTER DESCRIPTION for more information.

The MYTEST and the NMYTEST bits cause the interrupt pins of the respective masters to be activated for a "functional interrupt test".

NOTES:

1. The regular way to proceed is that a master asks to take the control of the bus by programming MYBUS and BUSON bits. Nevertheless, the same master can also decide to give up the control of the bus and give it to the other master. This is also done by programming the MYBUS and BUSON bits.
2. Any writes either to the Interrupt Enable Register or the Control Register cause the respective register to be updated on the 9th clock cycle, i.e. on the rising edge of the acknowledge clock cycle.
3. The actual switch from one channel to another or the switching off of both the channels happens on a STOP command.

2-to-1 I²C master selector with interrupt logic and reset

PCA9541

Register 0: Interrupt Enable (IE) Register (B1B0 = 00)

This register allows a master to read and/or write (if needed) Mask options for its own channel.

The Interrupt Enable Register described below is identical for both the masters. Nevertheless, there are physically 2 internal Interrupt Enable Registers, one for each upstream channel.

When Master 0 reads/writes in this register, the internal Interrupt Enable Register 0 will be accessed.

When Master 1 reads/writes in this register, the internal Interrupt Enable Register 1 will be accessed.

BIT	7	6	5	4	3	2	1	0
SYMBOL	0	0	0	0	BUSLOSTMSK	BUSOKMSK	BUSINITMSK	INTINMSK

Table 2. Register 0

BIT	SYMBOL	READ/ WRITE	DEFAULT	DESCRIPTION
0	INTINMSK	R/W	0	0: Interrupt on $\overline{\text{INT_IN}}$ will generate an interrupt on $\overline{\text{INT}}$
				1: Interrupt on $\overline{\text{INT_IN}}$ will not generate an interrupt on $\overline{\text{INT}}$ (masked)
1	BUSINITMSK	R/W	0	0: After connection is requested and Bus Initialization requested (BUSINIT = 1), an interrupt on $\overline{\text{INT}}$ will be generated when the bus initialization is done. Note: Channel switching is done after bus initialization completed.
				1: After connection is requested and Bus Initialization requested (BUSINIT = 1), an interrupt on $\overline{\text{INT}}$ will not be generated when the bus initialization is done (masked). Note: Channel switching is done after bus initialization completed.
2	BUSOKMSK	R/W	0	0: After connection is requested and Bus Initialization not requested (BUSINIT = 0), an interrupt on $\overline{\text{INT}}$ will be generated when a non-Idle situation has been detected on the downstream slave channel by the bus sensor at the switching moment. Note: Channel switching is done automatically after the STOP command.
				1: After connection is requested and Bus Initialization not requested (BUSINIT = 0), an interrupt on $\overline{\text{INT}}$ will not be generated when a non-Idle situation has been detected on the downstream slave channel by the bus sensor at the switching moment (masked). Note: Channel switching is done automatically after the STOP command.
3	BUSLOSTMSK	R/W	0	0: An interrupt on $\overline{\text{INT}}$ will be generated after the other master has been disconnected
				1: An interrupt on $\overline{\text{INT}}$ will not be generated after the other master has been disconnected.
4	NOT USED	R only	0	
5	NOT USED	R only	0	
6	NOT USED	R only	0	
7	NOT USED	R only	0	

NOTE:

Default values are the same for PCA9541/01, PCA9541/02, and PCA9541/03

2-to-1 I²C master selector with interrupt logic and reset

PCA9541

Register 1: Control Register (B1B0 = 01)

x stands for 0 or 1 and is applied to the master that reads or writes in the Control Register explained below

The Control Register described below is identical for both the masters. Nevertheless, there are physically 2 internal Control Registers, one for each upstream channel.

When master 0 reads/writes in this register, the internal Control Register 0 will be accessed.

When master 1 reads/writes in this register, the internal Control Register 1 will be accessed.

BIT	7	6	5	4	3	2	1	0
SYMBOL	NTESTON	TESTON	0	BUSINIT	NBUSON	BUSON	NMYBUS	MYBUS

Table 3. Register 1

BIT	SYMBOL	READ/ WRITE	DEFAULT	DESCRIPTION
0	MYBUS	R/W	See Table 6	MYBUS bit along with the NMYBUS bit decides which upstream channel is connected to the downstream channel See Table 4
1	NMYBUS	R only	See Table 6	NMYBUS bit is a copy of the MYBUS bit for the other channel See Table 4
2	BUSON	R/W	See Table 6	BUSON bit along with the NBUSON bit decides whether any upstream channel is connected to the downstream channel or not See Table 5
3	NBUSON	R only	See Table 6	NBUSON bit is a copy of the BUSON bit for the other channel See Table 5
4	BUSINIT	R/W	0	0: Bus initialization not requested 1: Bus initialization requested
5	NOT USED	R only	0	
6	TESTON	R/W	0	0: a Logic Level High to the $\overline{\text{INT}}$ line is sent (interrupt cleared) 1: a Logic Level Low to the $\overline{\text{INT}}$ line is sent (interrupt generated)
7	NTESTON	R only	0	0: a Logic Level High to the $\overline{\text{INT}}$ line of the other channel is sent (interrupt cleared) 1: a Logic Level Low to the $\overline{\text{INT}}$ line of the other channel is sent (interrupt generated)

2-to-1 I²C master selector with interrupt logic and reset

PCA9541

Table 4. MYBUS and NMYBUS Truth Table

NMYBUS	MYBUS	SLAVE CHANNEL
0	0	to the switching initiator
1	0	to the other channel
0	1	to the other channel
1	1	to the switching initiator

Table 5. BUSON and NMYONOFF Truth Table

NBUSON	BUSON	SLAVE CHANNEL
0	0	OFF
1	0	ON
0	1	ON
1	1	OFF

NOTES:

- Switch to the new channel is done when the master initiating the switch request sends a STOP command to the PCA9541.
- If Master 0 wants to change the connection to the downstream channel in any way, it needs to write to **its Control Register (Reg#01), and then send a STOP command** because an update of the connection to the downstream according to the values in the two internal Control Registers happens only on a STOP command. Writing to one control register followed by a STOP condition on the other Master's channel will not cause an update to the downstream connection.
- When both masters request a switch to their own channel at the same time, the master who last wrote to its control register before the PCA9541 receives a STOP command wins the switching sequence. There is no arbitration performed.
- Auto Increment feature (AI=1) allows to program the PCA9541 in 4 bytes:
 - Start
 - 111A3A2A1A0 + 0 PCA9541 Address + Write
 - 00010000 Select Reg#00 with AI = 1
 - Data Reg#00 Interrupt Enable Register Data
 - Data Reg#01 Control Register Data
 - Stop

Table 6. Default Control Register Values

	BIT	7	6	5	4	3	2	1	0
VERSION	SYMBOL	NTESTON	TESTON	NOT USED	BUSINIT	NBUSON	BUSON	NMYBUS	MYBUS
PCA9541/01	MST_0	0	0	0	0	0	1	0	0
	MST_1	0	0	0	0	1	0	1	0
PCA9541/02	MST_0	0	0	0	0	0	0	0	0
	MST_1	0	0	0	0	0	0	1	0
PCA9541/03	MST_0	0	0	0	0	0	0	0	0
	MST_1	0	0	0	0	0	0	1	0
PCA9541/02 (AFTER STOP)	MST_0	0	0	0	0	0	1	0	0
	MST_1	0	0	0	0	1	0	1	0

2-to-1 I²C master selector with interrupt logic and reset

PCA9541

INTERRUPT STATUS REGISTERS DESCRIPTION

The PCA9541 provides 4 different types of interrupt:

1. To indicate to the former I²C-bus master that it is not in control of the bus anymore.
2. To indicate to the new I²C-bus master that:
 - The bus recovery/initialization has been performed and that the downstream channel connection has been done (built-in bus recovery/initialization active).
 - A "bus not well initialized" condition has been detected by the PCA9541 when the switch has been done (built-in bus recovery/initialization not active). This information can be used by the new master to initiate its own bus recovery/initialization sequence.
3. Indicate to both I²C upstream masters that a downstream interrupt has been generated through the INT_IN pin.
4. Functionality wiring test.

Bus control lost interrupt

When an upstream master takes control of the I²C-bus while the other channel was using the downstream channel, an interrupt is generated to the master losing control of the bus (INT line goes LOW to let the master know that it lost the control of the bus) immediately after disconnection from the downstream channel.

By setting the BUSLOSTMSK bit to 1, the interrupt is masked and the upstream master that lost the I²C-bus control does not receive an interrupt (INT line does not go LOW).

Recovery/initialization interrupt

Before switching to a new upstream channel, an automatic bus recovery/initialization can be performed by the PCA9541. This function is requested by setting the BUSINIT bit to 1. When the downstream bus has been initialized, an interrupt to the new master is generated (INT line goes LOW).

By setting the BUSINITMSK bit to 1, the interrupt is masked and the new master does not receive an interrupt (INT line does not go LOW).

When the automatic bus recovery/initialization is not requested, if the built-in bus sensor function (sensing permanently the

downstream I²C traffic) detects a non-idle condition (previous bus channel connected to the downstream slave channel, was between a START and STOP condition), then an interrupt to the new master is sent (INT line goes LOW). This interrupt tells the new master that an external bus recovery/initialization must be performed. By setting the BUSOKMSK bit to 1, the interrupt is masked and the new master does not receive an interrupt (INT line does not go LOW).

NOTE: In this particular situation, after the switch to the new master is performed, **a read of the Interrupt Status Register is not possible if the switch happened in the middle of a read sequence** because the new master does not have control of the SDA line

Downstream interrupt

An interrupt can also be generated by a downstream device by asserting the INT_IN pin LOW. When INT_IN is asserted LOW and if both INTINMSK bits are not set to 1 by either master, INT0 and INT1 both go LOW.

By setting the INTINMSK bit to 1 by a master and/or the INTINMSK bit to 1 by the other master, the interrupt(s) is (are) masked and the corresponding masked channel(s) does (do) not receive an interrupt (INT0 and/or INT1 line does (do) not go LOW).

Functional test interrupt

A master can send an interrupt to itself to test its own INT wire or send an interrupt to the other master to test its INT line. This is done by:

- Setting the TESTON bit to 1 to test its own INT line.
- Setting the NTESTON bit to 1 to test the other master INT line.

Setting the TESTON and/or NTESTON bits to 0 by a master will clear the interrupt(s).

NOTE: Interrupt outputs have an open-drain structure. Interrupt input does not have any internal pull-up resistor and must not be left floating (e.g., pulled high to V_{CC} through resistor) in order to avoid any undesired interrupt conditions.

2-to-1 I²C master selector with interrupt logic and reset

PCA9541

Register 2: Interrupt Status Register (B1B0 = 10)

The Interrupt Status Register for both the masters is identical and is described below. Nevertheless, there are physically 2 internal Interrupt Registers, one for each upstream channel.

When Master 0 reads this register, the internal Interrupt Register 0 will be accessed.

When Master 1 reads this register, the internal Interrupt Register 1 will be accessed.

BIT	7	6	5	4	3	2	1	0
SYMBOL	NMYTEST	MYTEST	0	0	BUSLOST	BUSOK	BUSINIT	INTIN

Table 7. Register 2

BIT	SYMBOL	READ/ WRITE	DEFAULT	DESCRIPTION
0	INTIN	R only	0	0: No interrupt on interrupt input ($\overline{\text{INT_IN}}$)
				1: Interrupt on interrupt input ($\overline{\text{INT_IN}}$)
1	BUSINIT	R only	0	0: No interrupt generated by the bus recovery/initialization function
				1: Interrupt generated by the bus recovery/initialization function – recovery/initialization done
2	BUSOK	R only	0	0: No interrupt generated by bus sensor function
				1: Interrupt generated by bus sensor function (masked when bus recovery/initialization requested) – Bus was not idle when the switch occurred
3	BUSLOST	R only	0	0: No interrupt generated to the previous master when switching to the new one is initiated
				1: Interrupt generated to the previous master when switching to the new one is initiated
4	NOT USED	R only	0	
5	NOT USED	R only	0	
6	MYTEST	R only	0	0: No interrupt generated by TESTON bit f (TESTON = 0)
				1: Interrupt generated by TESTON bit (TESTON = 1)
7	NMYTEST	R only	0	0: No interrupt generated due to NTESTON bit from the other master (NTESTON = 0 from the other master)
				1: Interrupt generated due to TESTON bit from the other master (NTESTON = 1 from the other master)

NOTES:

- Interrupt on a master is cleared after TESTON bit is cleared the same master or NTESTON bit is cleared by the other master.
- If the interrupt condition remains on $\overline{\text{INT_IN}}$ after the Read sequence, another interrupt will be generated (if the interrupt has not been masked)
- Default values are the same for PCA9541/01, PCA9541/02 and PCA9541/03
- Reading the Interrupt Status Register does not clear the MYTEST, NMYTEST or the INTIN bits. They are cleared if:
 - $\overline{\text{INT_IN}}$ lines goes HIGH for INTIN bit
 - TESTON bit is cleared for MYTEST bit
 - NTESTON bit is cleared for NMYTEST bit
- BUSINIT, BUSOK and BUSLOST bits in the Interrupt Status Register gets cleared after a Read of the same register is done. Precisely, the register gets cleared on the second clock pulse during the read operation.

2-to-1 I²C master selector with interrupt logic and reset

PCA9541

POWER ON RESET

When power is applied to V_{DD}, an internal Power On Reset holds the PCA9541 in a reset state until V_{DD} has reached V_{POR}. At this point, the reset condition is released and the internal registers are initialized to their default states, with:

	Default	Stop Detect
PCA9541/01	Channel 0	
PCA9541/02	Channel 0	↗
PCA9541/03	No Channel	

1. PCA9541/01: after power-up and/or insertion of the device in the main I²C bus, the upstream Channel 0 and the downstream slave channel are connected together.
2. PCA9541/02: after power-up and/or insertion of the device in the main I²C bus, the upstream Channel 0 and the downstream slave channel are connected together after a STOP condition has been detected by the PCA9541/02 on Channel 0.
 - If the bus was not idle, Channel 0 and the downstream slave device will be connected together as soon as a STOP condition occurs at the conclusion of the transmission sequence on Channel 0.
 - If the bus was idle, then Channel 0 is connected to the downstream slave channel after a STOP condition is detected on Channel 0. This I²C bus command may or may not be addressed to the PCA9541/02.
 - If a switch to channel 1 (initiated by the master on channel 1) is requested (before or after the default switch to Channel 0 has been performed), the upstream channel 1 is connected to the downstream slave channel when the master located in Channel 1 sends the STOP command.
3. PCA9541/03: after power-up and/or insertion of the device in the main I²C bus, no channel will be connected to the downstream channel. The device is ready to receive a START condition and its address by a master.

If either register writes to its Control Register, then the connection between the upstream and the downstream channels is determined by the values on the Control Registers.

EXTERNAL RESET

A reset can be accomplished by holding the $\overline{\text{RESET}}$ pin LOW for a minimum of t_w. The PCA9541 registers and I²C state machine will be held in their default states until the RESET input is once again HIGH. This input typically requires a pull-up resistor to V_{DD}.

Default states are:

- I²C upstream Channel 0 connected to the I²C downstream channel for the PCA9541/01
- no I²C upstream channel connected to the I²C downstream channel for the PCA9541/02 with Channel 0 connected to the downstream I²C channel after detection of a STOP on the upstream channel.
- no I²C upstream channel connected to the I²C downstream channel for the PCA9541/03.

VOLTAGE TRANSLATION

The pass gate transistors of the PCA9541 are constructed such that the V_{DD} voltage can be used to limit the maximum voltage that will be passed from one I²C-bus to another.

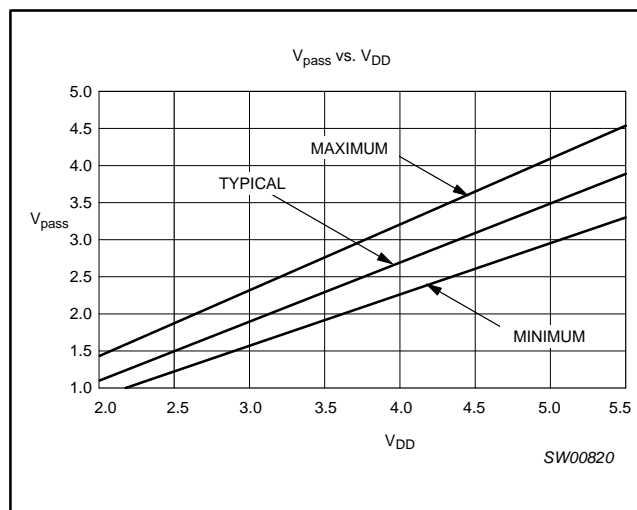


Figure 7. V_{pass} voltage

Figure 7 shows the voltage characteristics of the pass gate transistors (note that the graph was generated using the data specified in the DC Characteristics section of this datasheet). In order for the PCA9541 to act as a voltage translator, the V_{pass} voltage should be equal to, or lower than the lowest bus voltage. For example, if the main buses were running at 5 V, and the downstream bus was 3.3 V, then V_{pass} should be equal to or below 3.3 V to effectively clamp the downstream bus voltages. Looking at Figure 7, we see that V_{pass} (max.) will be at 3.3 V when the PCA9541 supply voltage is 3.5 V or lower so the PCA9541 supply voltage could be set to 3.3 V. Pull-up resistors can then be used to bring the bus voltages to their appropriate levels (see Figure 16).

More Information on voltage translation can be found in Application Note AN262 PCA954X family of I²C/SMBus multiplexers and switches.

2-to-1 I²C master selector with interrupt logic and reset

PCA9541

CHARACTERISTICS OF THE I²C-BUS

The I²C-bus is for 2-way, 2-line communication between different ICs or modules. The two lines are a serial data line (SDA) and a serial clock line (SCL). Both lines must be connected to a positive supply via a pull-up resistor when connected to the output stages of a device. Data transfer may be initiated only when the bus is not busy.

Bit transfer

One data bit is transferred during each clock pulse. The data on the SDA line must remain stable during the HIGH period of the clock pulse as changes in the data line at this time will be interpreted as control signals (see Figure 8).

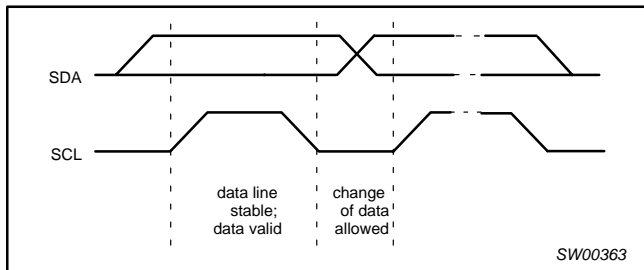


Figure 8. Bit transfer

Start and stop conditions

Both data and clock lines remain HIGH when the bus is not busy. A HIGH-to-LOW transition of the data line, while the clock is HIGH is defined as the start condition (S). A LOW-to-HIGH transition of the data line while the clock is HIGH is defined as the stop condition (P) (see Figure 9).

System configuration

A device generating a message is a transmitter; a device receiving is the receiver. The device that controls the message is the master and the devices which are controlled by the master are the slaves (see Figure 10).

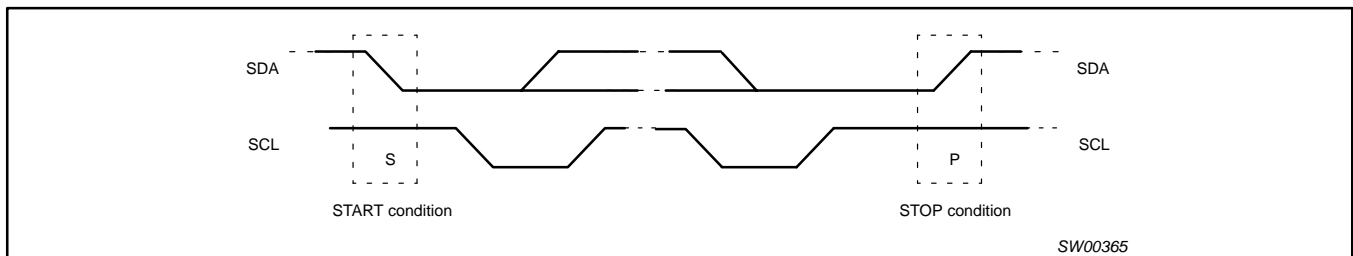


Figure 9. Definition of start and stop conditions

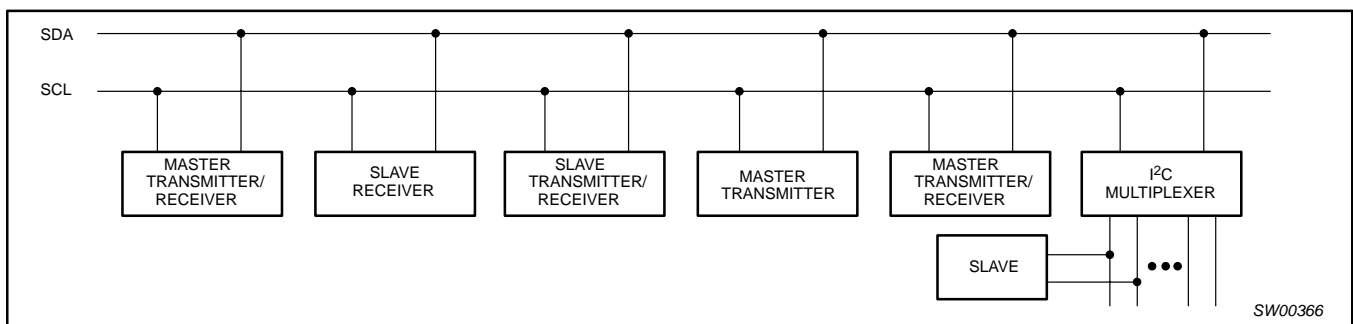


Figure 10. System configuration

2-to-1 I²C master selector with interrupt logic and reset

PCA9541

Acknowledge

The number of data bytes transferred between the start and the stop conditions from transmitter to receiver is not limited. Each byte of eight bits is followed by one acknowledge bit. The acknowledge bit is a HIGH level put on the bus by the transmitter whereas the master generates an extra acknowledge related clock pulse.

A slave receiver which is addressed must generate an acknowledge after the reception of each byte. Also a master must generate an acknowledge after the reception of each byte that has been clocked out of the slave transmitter. The device that acknowledges has to pull down the SDA line during the acknowledge clock pulse, so that the SDA line is stable LOW during the HIGH period of the acknowledge related clock pulse, set-up and hold times must be taken into account.

A master receiver must signal an end of data to the transmitter by not generating an acknowledge on the last byte that has been clocked out of the slave. In this event, the transmitter must leave the data line HIGH to enable the master to generate a stop condition.

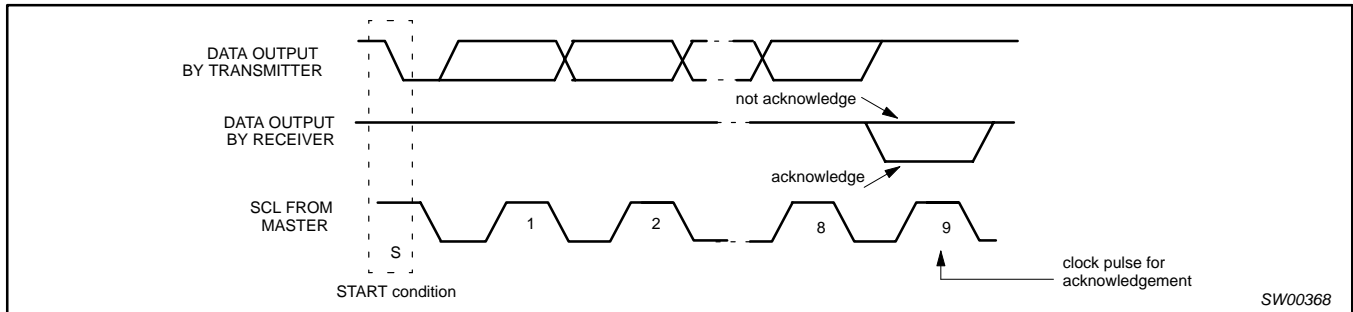


Figure 11. Acknowledgement on the I²C-bus

2-to-1 I²C master selector with interrupt logic and reset

PCA9541

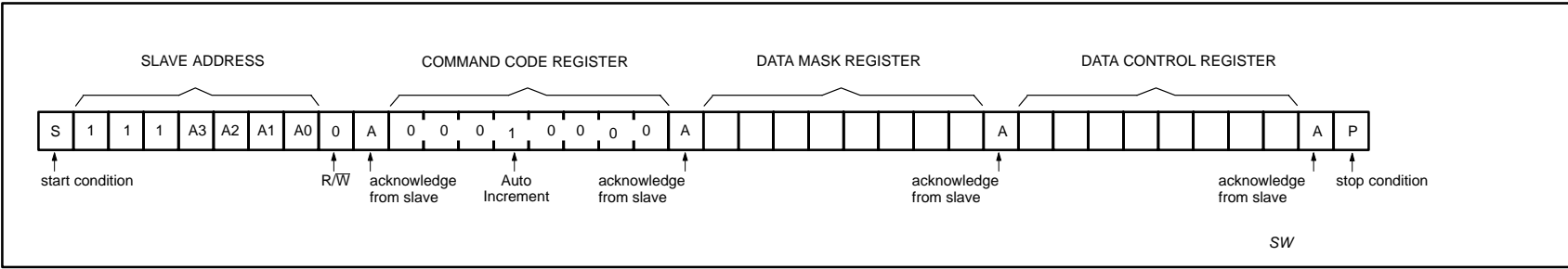


Figure 12. Write to the Mask and Control Registers using the Auto-Increment (AI) bit

NOTE: If a 3rd data byte is sent, it will not be acknowledged by the PCA9541.

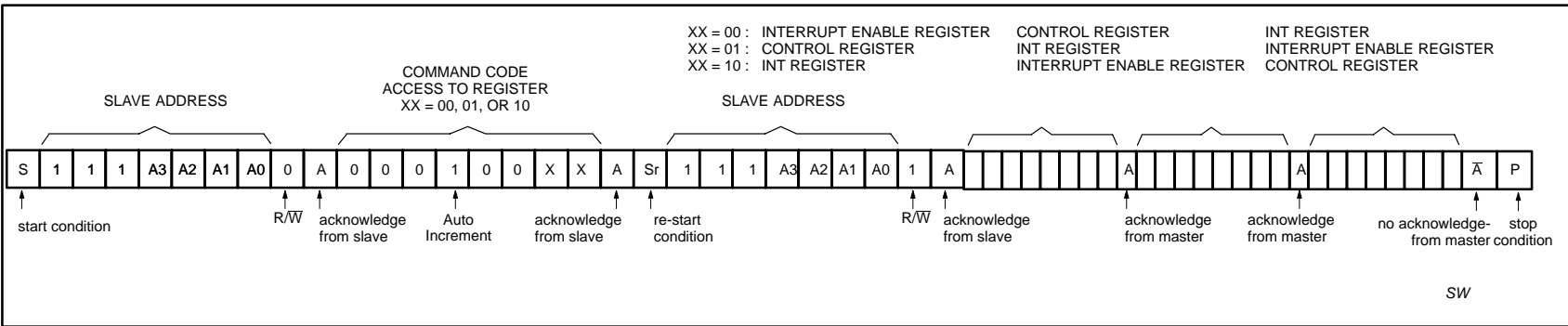


Figure 13. Read the 3 registers using the Auto-Increment (AI) bit

NOTE: If a 4th data byte is read, the first Register will be accessed.

2-to-1 I²C master selector with interrupt logic and reset

PCA9541

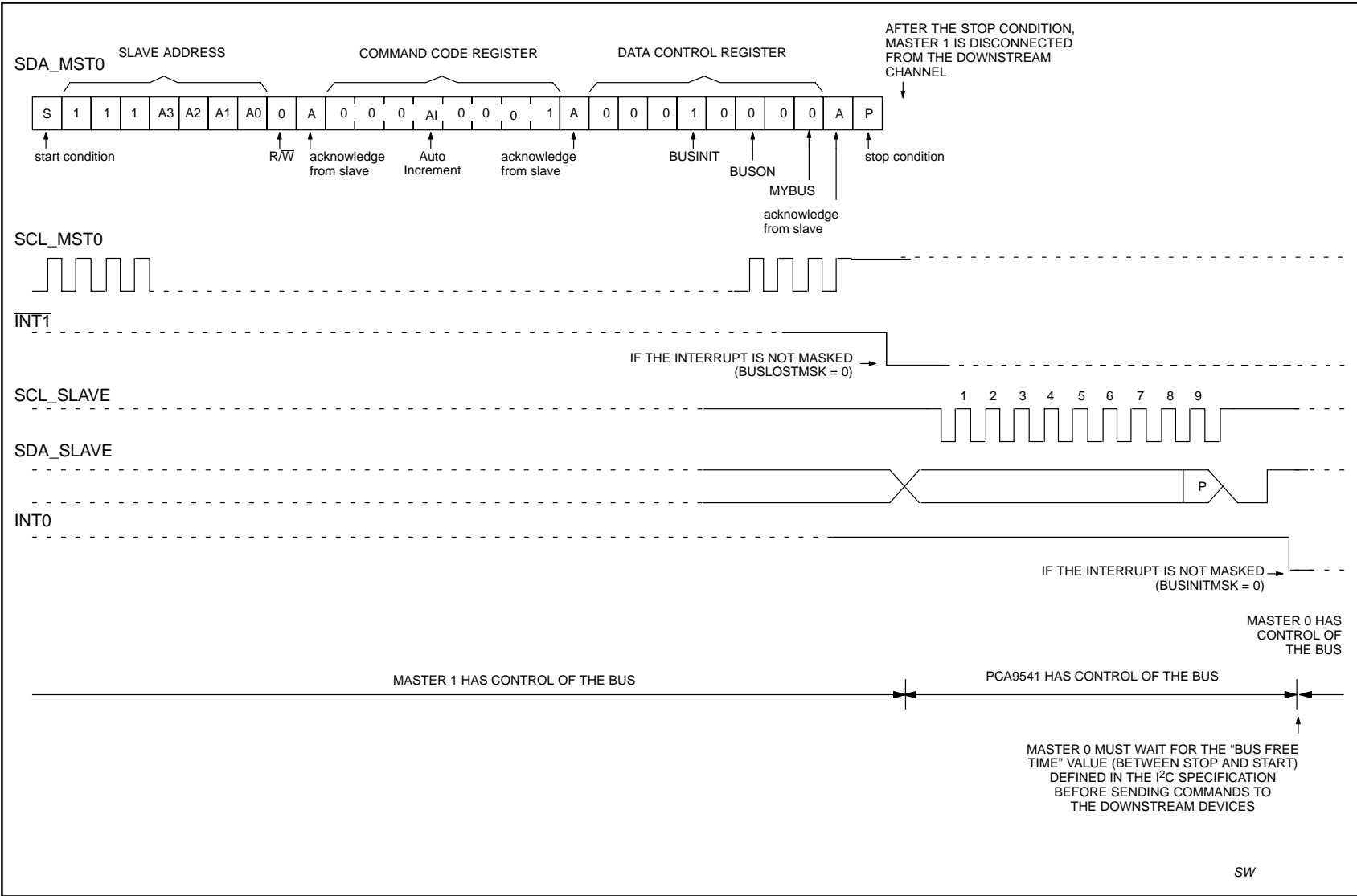


Figure 14. Write to the control register and switch from channel 1 to channel 0 (bus recovery/initialization requested)

NOTE: We assume that a Read of the control register was done by Master 1 and that 000x1010 was read.

2-to-1 I²C master selector with interrupt logic and reset

PCA9541

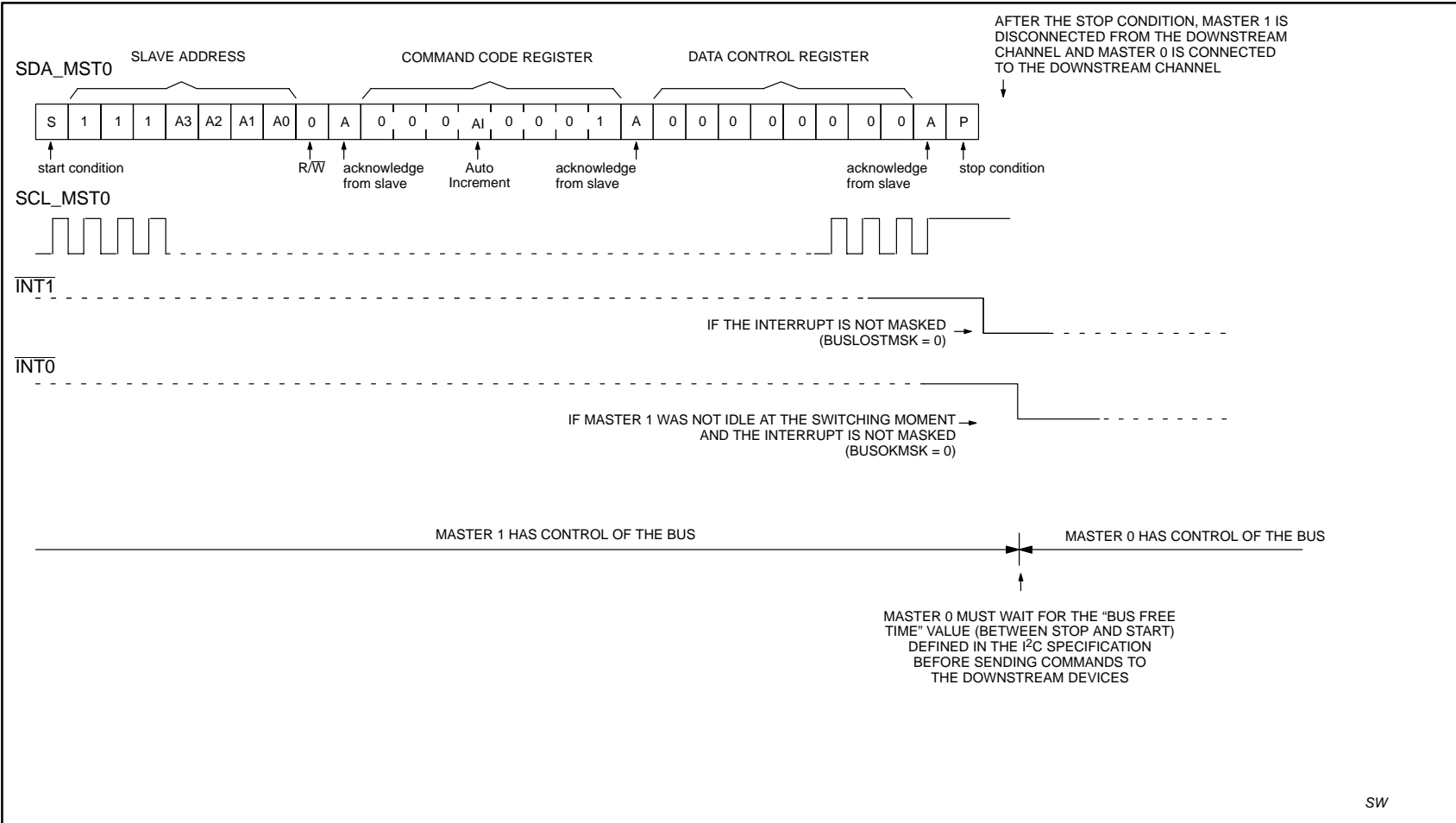


Figure 15. Write to the control register and switch from channel 1 to channel 0 (bus recovery/initialization not requested)

2-to-1 I²C demultiplexer with interrupt logic and reset

PCA9541

TYPICAL APPLICATION

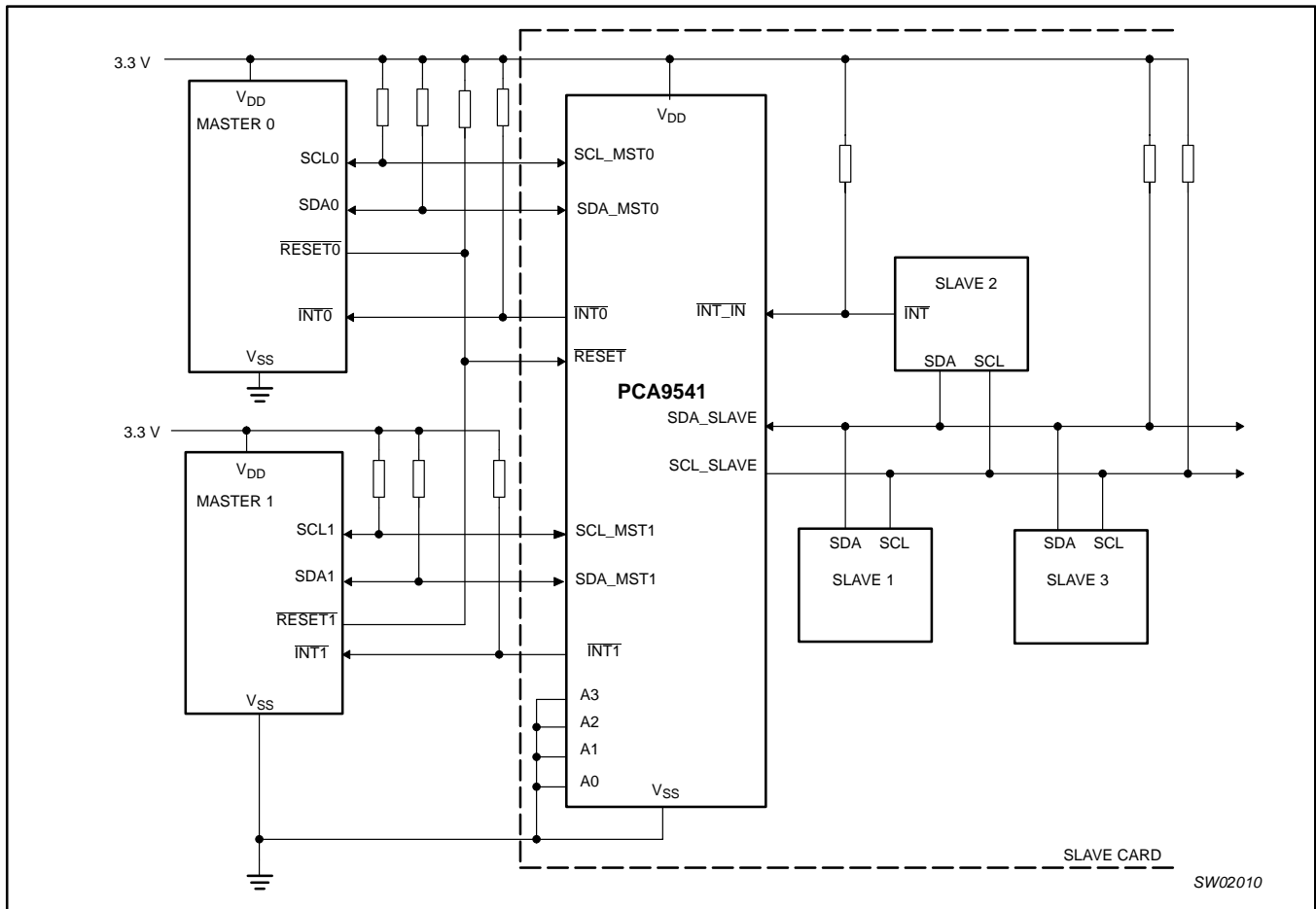


Figure 16. Typical application

SPECIFIC APPLICATIONS

The PCA9541 is a 2-to-1 I²C master selector designed for dual master, high reliability I²C applications, where continuous maintenance and control monitoring is required even if one master fails or its controller card is removed for maintenance. The PCA9541 can also be used in other applications, such as where masters share the same resource but cannot share the same bus, as a gatekeeper multiplexer in long single bus applications or as a bus initialization/recovery device.

HIGH RELIABILITY SYSTEMS

In a typical multi-point application, shown in figure 17, the two masters (e.g., primary and back-up) are located on separate I²C buses that connect to multiple downstream I²C bus slave cards/devices via a PCA9541/01 for non-hot swap applications or the PCA9541/02 for hot swap applications to provide high reliability of the I²C bus.

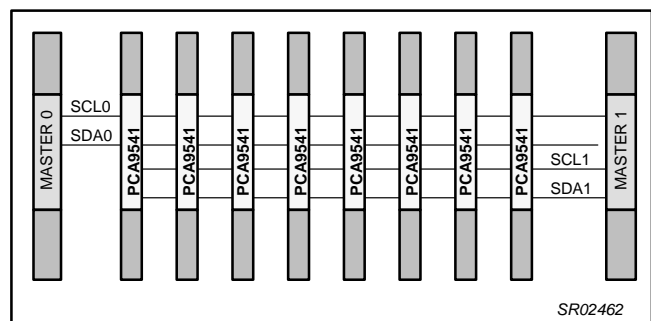


Figure 17. High Reliability Backplane Application

2-to-1 I²C demultiplexer with interrupt logic and reset

PCA9541

I²C commands are sent via the primary or back-up master and either master can take command of the I²C bus. Either master at any time can gain control of the slave devices if the other master is disabled or removed from the system. The failed master is isolated from the system and will not affect communication between the on-line master and the slave devices located on the cards.

For even higher reliability in multi-point backplane applications, two dedicated masters can be used for every card as shown in figure 18.

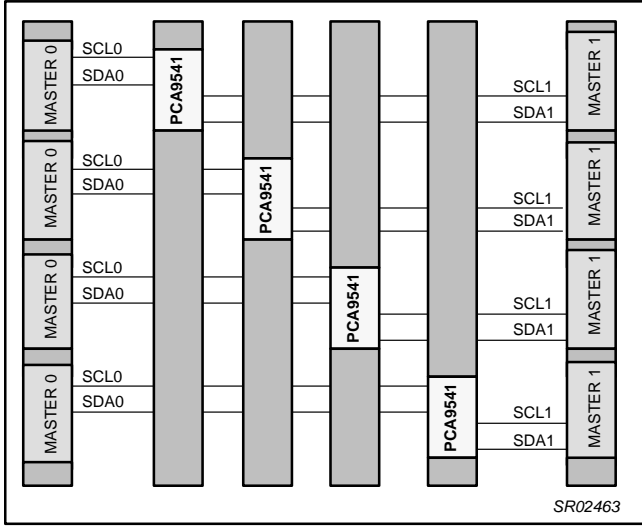


Figure 18. Very High Reliability Backplane Application

MASTERS WITH SHARED RESOURCES

Some masters may not be multi-master capable or some masters may not work well together and continually lock up the bus. The PCA9541 can be used to separate the masters, as shown in figure 19, but still allow shared access to slave devices, such as Field Replaceable Unit (FRU) EEPROMs or temperature sensors.

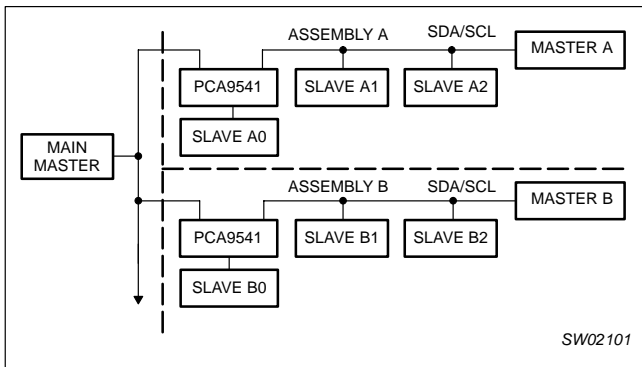


Figure 19. Masters with Shared Resources Application

GATEKEEPER MULTIPLEXER

The PCA9541/03 can act as a gatekeeper multiplexer in applications where there are multiple I²C devices with the same fixed address (e.g., EEPROMs with address of "Z" as shown in figure 20) connected in a multi-point arrangement to the same I²C bus. Up to 16 hot swappable cards/devices can be multiplexed to the same bus master by using one PCA9541/03 per card/device. Since each PCA9541/03 has its own unique address (e.g., "A", "B", "C", etc), the EEPROMs can be connected to the master, one at a time, by connecting one PCA9541/03 (Master 0 position) while keeping the rest of the cards/devices isolated (off position).

The alternative, shown with dashed lines, is to use a PCA9548 1 to 8 channel switch on the master card and run 8 I²C buses, one to each EEPROM card, to multiplex the master to each card. The number of card pins used is the same in either case, but there are 7 less pairs of SDA/SCL traces on the PC board if the PCA9541/03 is used.

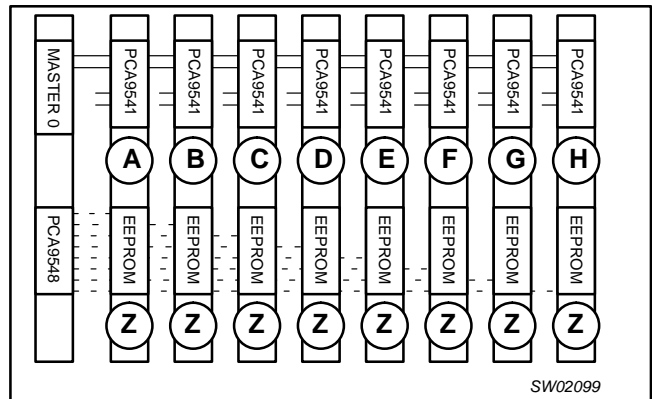


Figure 20. Gatekeeper Multiplexer Application

BUS INITIALIZATION/RECOVERY

If the I²C bus is hung, I²C devices without a hardware reset pin (e.g., Slave 1 & 2 in figure 21) can be isolated from the master by the PCA9541/03. The PCA9541/03 disconnects the bus when it is reset via the hardware reset line, restoring the master's control of the rest of the bus (e.g., Slave 0). The bus master can then command the PCA9541/03 to send 9 clock pulses/ stop condition to reset the downstream I²C devices before they are reconnected to the master or leave the downstream devices isolated.

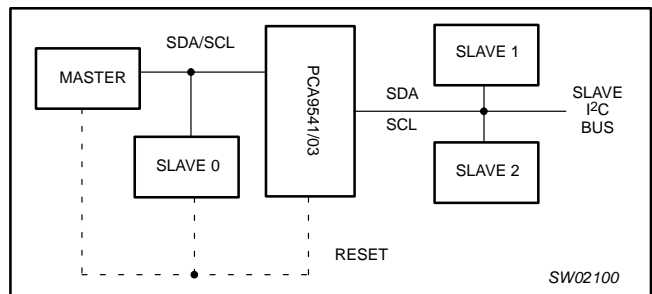


Figure 21. Bus Initialization/Recovery Application

2-to-1 I²C demultiplexer with interrupt logic and reset

PCA9541

ABSOLUTE MAXIMUM RATINGS^{1, 2}

In accordance with the Absolute Maximum Rating System (IEC 134). Voltages are referenced to GND (ground = 0 V).

SYMBOL	PARAMETER	CONDITIONS	RATING	UNIT
V _{DD}	DC supply voltage		-0.5 to +7.0	V
V _I	DC input voltage		-0.5 to +7.0	V
I _I	DC input current		±20	mA
I _O	DC output current		±25	mA
I _{DD}	Supply current		±100	mA
I _{SS}	Supply current		±100	mA
P _{tot}	total power dissipation		400	mW
T _{stg}	Storage temperature range		-60 to +150	°C
T _{amb}	Operating ambient temperature		-40 to +85	°C

NOTES:

- Stresses beyond those listed may cause permanent damage to the device. These are stress ratings only and functional operation of the device at these or any other conditions beyond those indicated under "recommended operating conditions" is not implied. Exposure to absolute-maximum-rated conditions for extended periods may affect device reliability.
- The performance capability of a high-performance integrated circuit in conjunction with its thermal environment can create junction temperatures which are detrimental to reliability. The maximum junction temperature of this integrated circuit should not exceed 150°C.

DC CHARACTERISTICSV_{DD} = 2.3 to 3.6 V; V_{SS} = 0 V; T_{amb} = -40 °C to +85 °C; unless otherwise specified. (See page 21 for V_{DD} = 3.6 to 5.5 V)

SYMBOL	PARAMETER	TEST CONDITIONS	LIMITS			UNIT
			MIN	TYP	MAX	
Supply						
V _{DD}	Supply voltage		2.3	—	3.6	V
I _{DD}	Supply current	Operating mode; V _{DD} = 3.6 V; no load; V _I = V _{DD} or V _{SS} ; f _{SCL} = 100 kHz	—	152	200	μA
I _{stb}	Standby current	Standby mode; V _{DD} = 3.6 V; no load; V _I = V _{DD} or V _{SS} ; f _{SCL} = 0 kHz	—	10	100	μA
V _{POR}	Power-on reset voltage	no load; V _I = V _{DD} or V _{SS}	—	1.5	2.1	V
Input SCL; input/output SDA (upstream and downstream channels)						
V _{IL}	LOW-level input voltage		-0.5	—	0.3 V _{DD}	V
V _{IH}	HIGH-level input voltage		0.7 V _{DD}	—	6	V
I _{OL}	LOW-level output current	V _{OL} = 0.4 V	3	—	—	mA
		V _{OL} = 0.6 V	6	—	—	
I _L	Leakage current	V _I = V _{DD} or V _{SS}	-1	—	+1	μA
C _i	Input capacitance	V _I = V _{SS}	—	4	5	pF
Select inputs A0 to A3 / INT_IN / RESET						
V _{IL}	LOW-level input voltage		-0.5	—	+0.3 V _{DD}	V
V _{IH}	HIGH-level input voltage		0.7 V _{DD}	—	6	V
I _{LI}	Input leakage current	V _I = V _{DD} or V _{SS}	-1	—	+1	μA
C _i	Input capacitance	V _I = V _{SS}	—	2	3	pF
Pass Gate						
R _{ON}	Switch resistance	V _{CC} = 3.0 to 3.6 V, V _O = 0.4 V, I _O = 15 mA	5	14	30	Ω
		V _{CC} = 2.3 to 2.7 V, V _O = 0.4V, I _O = 10 mA	7	17	55	
V _{Pass}	Switch output voltage	V _{swin} = V _{DD} = 3.3 V; I _{swout} = -100 μA	—	2.2	—	V
		V _{swin} = V _{DD} = 3.0 to 3.6 V; I _{swout} = -100 μA	1.6	—	2.8	
		V _{swin} = V _{DD} = 2.5 V; I _{swout} = -100 μA	—	1.5	—	
		V _{swin} = V _{DD} = 2.3 to 2.7 V; I _{swout} = -100 μA	1.1	—	2.0	
I _L	Leakage current	V _I = V _{DD} or V _{SS}	-1	—	+1	μA
INT0 and INT1 outputs						
I _{OL}	LOW-level output current	V _{OL} = 0.4 V	3	—	—	mA

2-to-1 I²C demultiplexer with interrupt logic and reset

PCA9541

DC CHARACTERISTICSV_{DD} = 3.6 to 5.5 V; V_{SS} = 0 V; T_{amb} = -40 °C to +85 °C; unless otherwise specified. (See page 20 for V_{DD} = 2.3 to 3.6 V)

SYMBOL	PARAMETER	TEST CONDITIONS	LIMITS			UNIT
			MIN	TYP	MAX	
Supply						
V _{DD}	Supply voltage		3.6	—	5.5	V
I _{DD}	Supply current	Operating mode; V _{DD} = 5.5 V; no load; V _I = V _{DD} or V _{SS} ; f _{SCL} = 100 kHz	—	349	600	μA
I _{stb}	Standby current	Standby mode; V _{DD} = 5.5 V; no load; V _I = V _{DD} or V _{SS} ; f _{SCL} = 0 kHz	—	10	200	μA
V _{POR}	Power-on reset voltage	no load; V _I = V _{DD} or V _{SS}	—	1.5	2.1	V
Input SCL; input/output SDA (upstream and downstream channels)						
V _{IL}	LOW-level input voltage		-0.5	—	0.3 V _{DD}	V
V _{IH}	HIGH-level input voltage		0.7 V _{DD}	—	6	V
I _{OL}	LOW-level output current	V _{OL} = 0.4 V	3	—	—	mA
		V _{OL} = 0.6 V	6	—	—	mA
I _{IL}	LOW-level input current	V _I = V _{SS}	-10	—	10	μA
I _{IH}	HIGH-level input current	V _I = V _{DD}	—	—	100	μA
C _i	Input capacitance	V _I = V _{SS}	—	4	6	pF
Select inputs A0 to A3 / INT_IN / RESET						
V _{IL}	LOW-level input voltage		-0.5	—	+0.3 V _{DD}	V
V _{IH}	HIGH-level input voltage		0.7 V _{DD}	—	6	V
I _{LI}	Input leakage current	V _I = V _{DD} or V _{SS}	-1	—	+50	μA
C _i	Input capacitance	V _I = V _{SS}	—	2	5	pF
Pass Gate						
R _{ON}	Switch resistance	V _{CC} = 4.5 to 5.5 V, V _O = 0.4 V, I _O = 15 mA	4	12	24	Ω
V _{Pass}	Switch output voltage	V _{swin} = V _{DD} = 5.0 V; I _{swout} = -100 μA	—	3.6	—	V
		V _{swin} = V _{DD} = 4.5 to 5.5 V; I _{swout} = -100 μA	2.6	—	4.5	V
I _L	Leakage current	V _I = V _{DD} or V _{SS}	-1	—	+100	μA
INT0 and INT1 outputs						
I _{OL}	LOW-level output current	V _{OL} = 0.4 V	3	—	—	mA

2-to-1 I²C demultiplexer with interrupt logic and reset

PCA9541

AC CHARACTERISTICS

SYMBOL	PARAMETER	STANDARD-MODE I ² C-BUS		FAST-MODE I ² C-BUS		UNIT
		MIN	MAX	MIN	MAX	
t _{pd}	Propagation delay from SDA to SD _n or SCL to SC _n	—	0.3 ¹	—	0.3 ¹	ns
f _{SCL}	SCL clock frequency	0	100	0	400	kHz
f _{SCLIR}	SCL bus initialization/recovery clock frequency	50	150	50	150	kHz
t _{BUF}	Bus free time between a STOP and START condition	4.7	—	1.3	—	μs
t _{HD;STA}	Hold time (repeated) START condition After this period, the first clock pulse is generated	4.0	—	0.6	—	μs
t _{LOW}	LOW period of the SCL clock	4.7	—	1.3	—	μs
t _{HIGH}	HIGH period of the SCL clock	4.0	—	0.6	—	μs
t _{SU;STA}	Set-up time for a repeated START condition	4.7	—	0.6	—	μs
t _{SU;STO}	Set-up time for STOP condition	4.0	—	0.6	—	μs
t _{HD;DAT}	Data hold time	0 ²	3.45	0 ²	0.9	μs
t _{SU;DAT}	Data set-up time	250	—	100	—	ns
t _R	Rise time of both SDA and SCL signals	—	1000	20 + 0.1C _b ³	300	ns
t _F	Fall time of both SDA and SCL signals	—	300	20 + 0.1C _b ³	300	μs
C _b	Capacitive load for each bus line	—	400	—	400	μs
t _{SP}	Pulse width of spikes which must be suppressed by the input filter	—	50	—	50	ns
t _{VD;DATL}	Data valid (HL)	—	1	—	1	μs
t _{VD;DATH}	Data valid (LH)	—	0.6	—	0.6	μs
t _{VD;ACK}	Data valid Acknowledge	—	1	—	1	μs
INT0 and INT1 outputs						
t _{iv}	INT _{in} to INT1 or INT2 active valid time	—	4	—	4	μs
t _{ir}	INT _{in} to INT1 or INT2 inactive delay time	—	2	—	2	μs
L _{pwr}	LOW level pulse width rejection or INT _{in} input	1	—	1	—	ns
H _{pwr}	HIGH level pulse width rejection or INT _{in} input	0.5	—	0.5	—	μs
RESET						
t _W	Pulse width LOW reset	4	—	4	—	ns
t _{rst}	Reset time (SDA clear)	500	—	500	—	ns
t _{REC;STA}	Recovery to Start	0	—	0	—	ns

NOTES:

1. Pass gate propagation delay is calculated from the 20 Ω typical R_{ON} and the 15 pF load capacitance.
2. A device must internally provide a hold time of at least 300 ns for the SDA signal (referred to the V_{IH,min} of the SCL signal) in order to bridge the undefined region of the falling edge of SCL.
3. C_b = total capacitance of one bus line in pF.

2-to-1 I²C demultiplexer with interrupt logic and reset

PCA9541

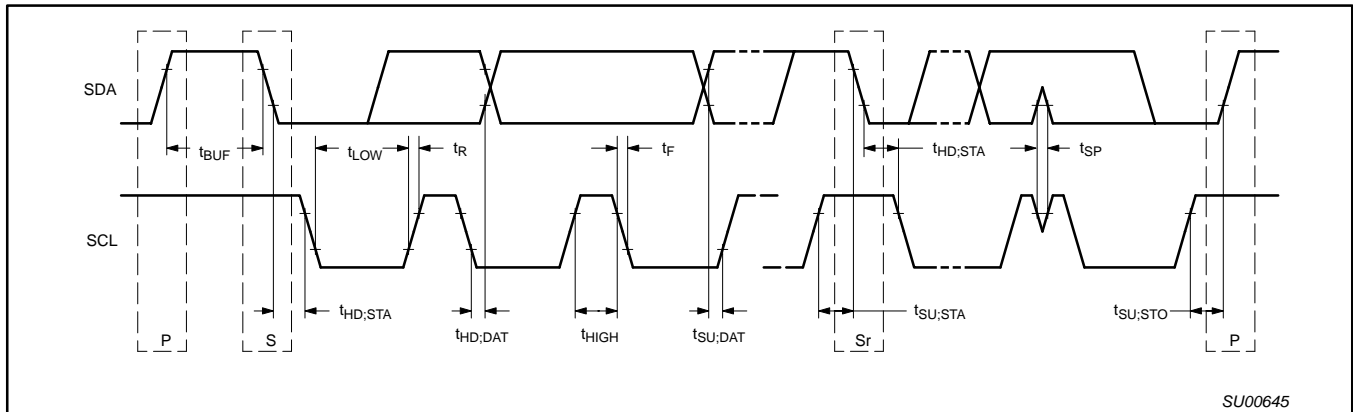


Figure 22. Definition of timing on the I²C-bus

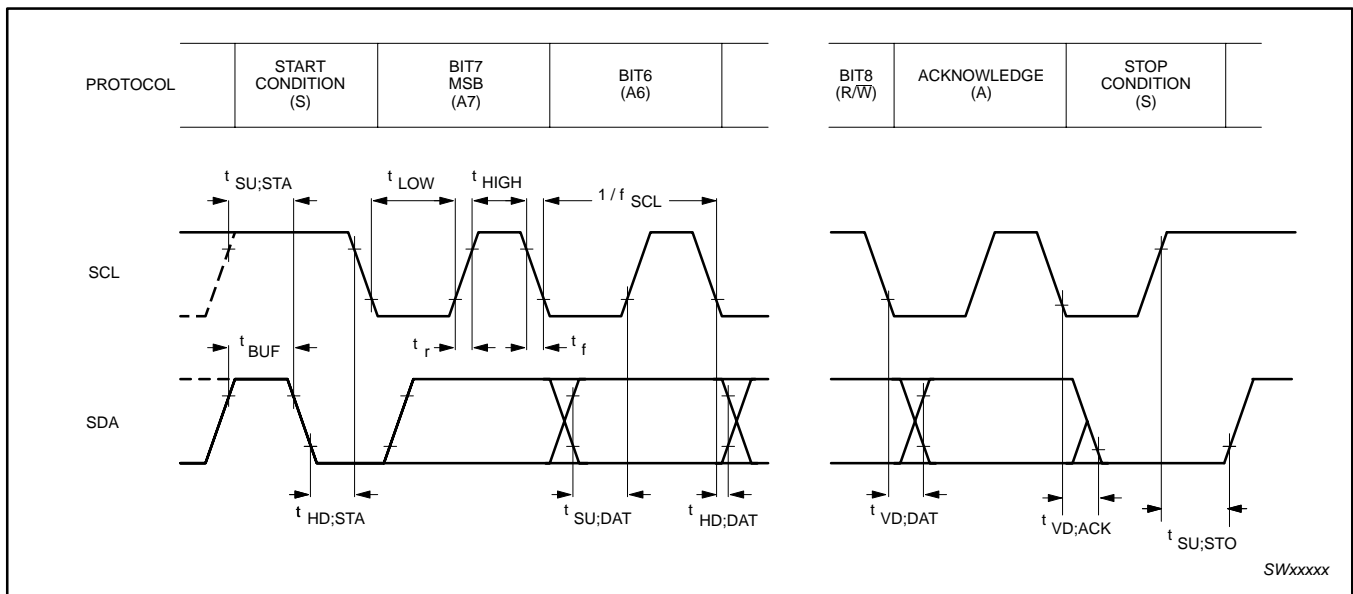
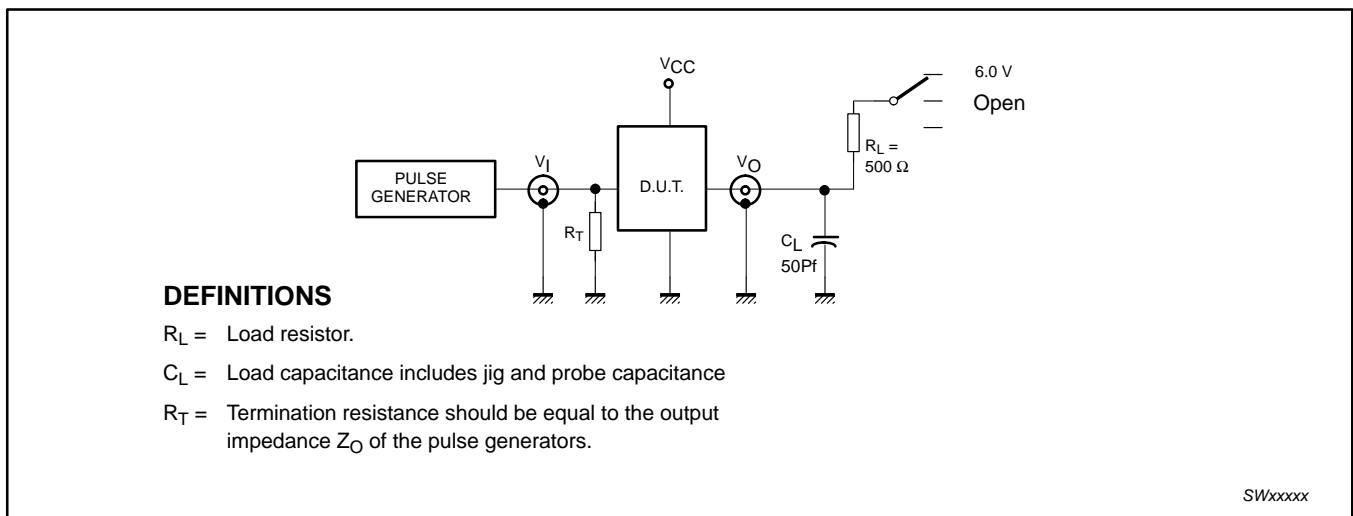


Figure 23. I²C-bus timing diagram; rise and fall times refer to V_{IL} and V_{IH}



DEFINITIONS

- R_L = Load resistor.
- C_L = Load capacitance includes jig and probe capacitance
- R_T = Termination resistance should be equal to the output impedance Z_O of the pulse generators.

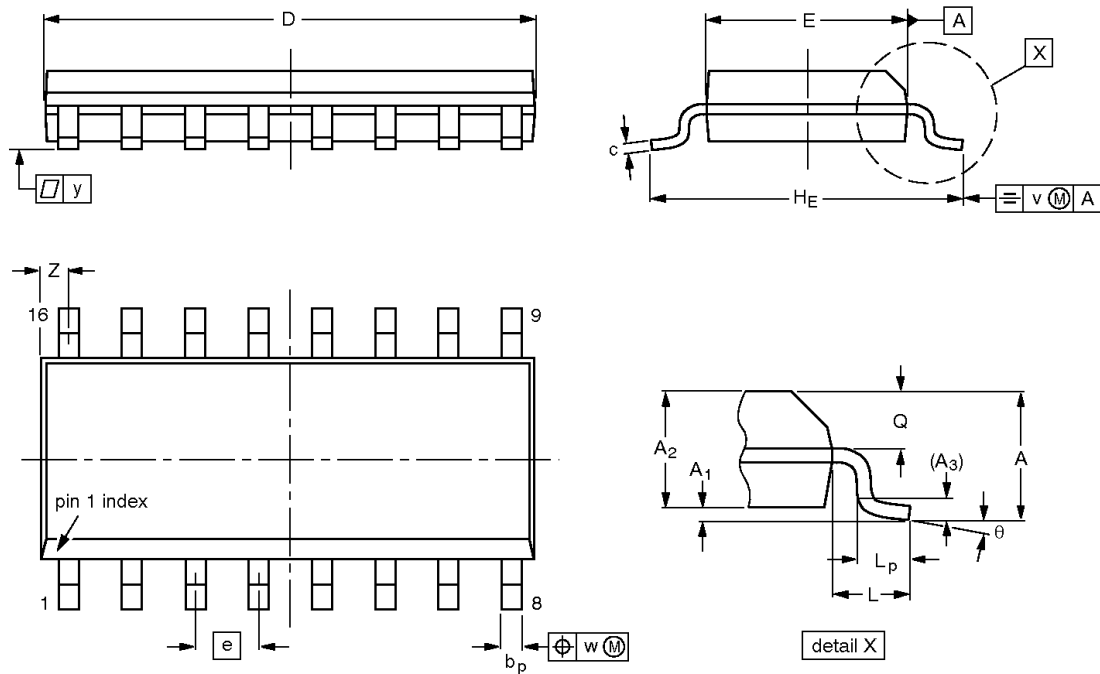
Figure 24. Test circuitry for switching times

2-to-1 I²C demultiplexer with interrupt logic and reset

PCA9541

SO16: plastic small outline package; 16 leads; body width 3.9 mm

SOT109-1



DIMENSIONS (inch dimensions are derived from the original mm dimensions)

UNIT	A max.	A ₁	A ₂	A ₃	b _p	c	D ⁽¹⁾	E ⁽¹⁾	e	H _E	L	L _p	Q	v	w	y	Z ⁽¹⁾	θ
mm	1.75	0.25 0.10	1.45 1.25	0.25	0.49 0.36	0.25 0.19	10.0 9.8	4.0 3.8	1.27	6.2 5.8	1.05	1.0 0.4	0.7 0.6	0.25	0.25	0.1	0.7 0.3	8° 0°
inches	0.069	0.010 0.004	0.057 0.049	0.01	0.019 0.014	0.0100 0.0075	0.39 0.38	0.16 0.15	0.05	0.244 0.228	0.041	0.039 0.016	0.028 0.020	0.01	0.01	0.004	0.028 0.012	

Note

1. Plastic or metal protrusions of 0.15 mm (0.006 inch) maximum per side are not included.

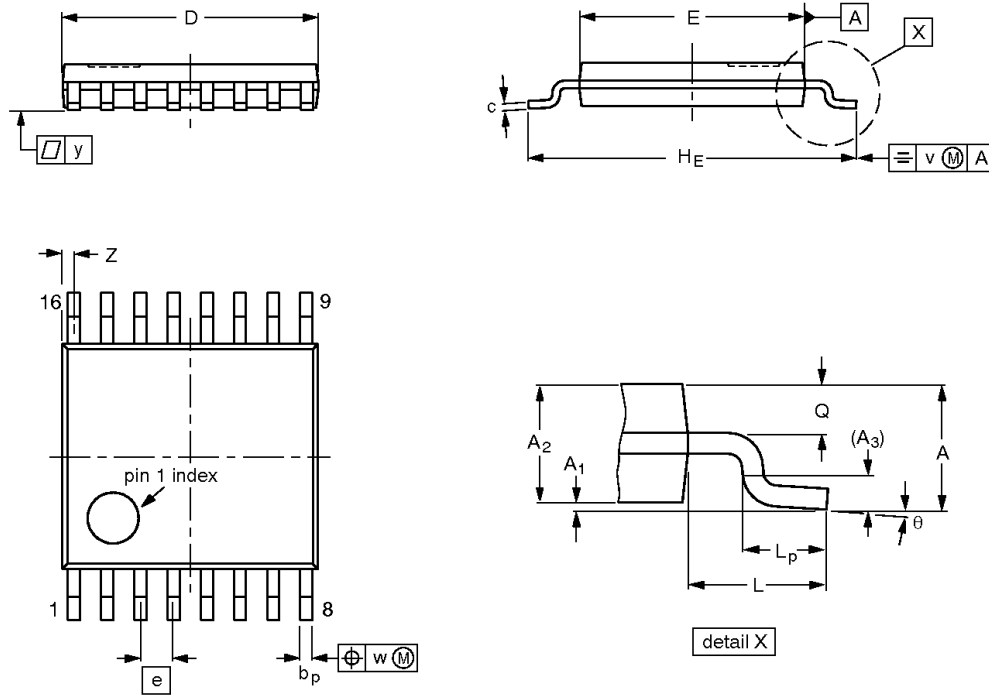
OUTLINE VERSION	REFERENCES			EUROPEAN PROJECTION	ISSUE DATE
	IEC	JEDEC	JEITA		
SOT109-1	076E07	MS-012			99-12-27 03-02-19

2-to-1 I²C demultiplexer with interrupt logic and reset

PCA9541

TSSOP16: plastic thin shrink small outline package; 16 leads; body width 4.4 mm

SOT403-1



DIMENSIONS (mm are the original dimensions)

UNIT	A max.	A ₁	A ₂	A ₃	b _p	c	D ⁽¹⁾	E ⁽²⁾	e	H _E	L	L _p	Q	v	w	y	Z ⁽¹⁾	θ
mm	1.1	0.15 0.05	0.95 0.80	0.25	0.30 0.19	0.2 0.1	5.1 4.9	4.5 4.3	0.65	6.6 6.2	1	0.75 0.50	0.4 0.3	0.2	0.13	0.1	0.40 0.06	8° 0°

Notes

1. Plastic or metal protrusions of 0.15 mm maximum per side are not included.
2. Plastic interlead protrusions of 0.25 mm maximum per side are not included.

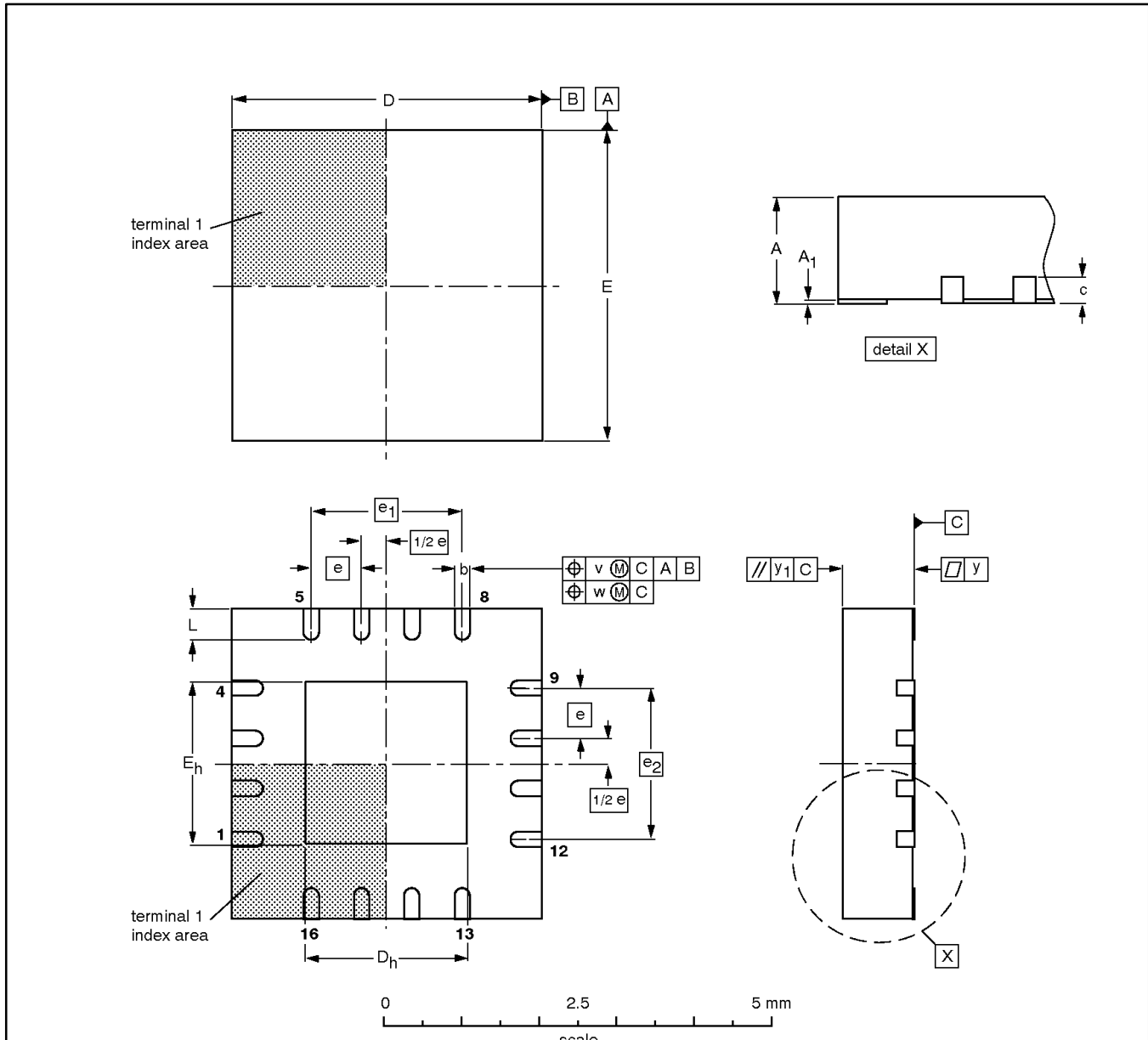
OUTLINE VERSION	REFERENCES				EUROPEAN PROJECTION	ISSUE DATE
	IEC	JEDEC	JEITA			
SOT403-1		MO-153				99-12-27 03-02-18

2-to-1 I²C demultiplexer with interrupt logic and reset

PCA9541

HVQFN16: plastic thermal enhanced very thin quad flat package; no leads; 16 terminals; body 4 x 4 x 0.85 mm

SOT629-1



DIMENSIONS (mm are the original dimensions)

UNIT	A ⁽¹⁾ max.	A ₁	b	c	D ⁽¹⁾	D _h	E ⁽¹⁾	E _h	e	e ₁	e ₂	L	v	w	y	y ₁
mm	1	0.05 0.00	0.38 0.23	0.2	4.1 3.9	2.25 1.95	4.1 3.9	2.25 1.95	0.65	1.95	1.95	0.75 0.50	0.1	0.05	0.05	0.1

Note

1. Plastic or metal protrusions of 0.075 mm maximum per side are not included.

OUTLINE VERSION	REFERENCES				EUROPEAN PROJECTION	ISSUE DATE
	IEC	JEDEC	JEITA			
SOT629-1	---	MO-220	---			01-08-08 02-10-22

2-to-1 I²C demultiplexer with interrupt logic and reset

PCA9541

REVISION HISTORY

Rev	Date	Description
_1	20031202	Product data (9397 750 12453); ECN 853-2436 01-A14594 dated 11 November 2003.

2-to-1 I²C demultiplexer with interrupt logic and reset

PCA9541



Purchase of Philips I²C components conveys a license under the Philips' I²C patent to use the components in the I²C system provided the system conforms to the I²C specifications defined by Philips. This specification can be ordered using the code 9398 393 40011.

Data sheet status

Level	Data sheet status ^[1]	Product status ^[2] [3]	Definitions
I	Objective data	Development	This data sheet contains data from the objective specification for product development. Philips Semiconductors reserves the right to change the specification in any manner without notice.
II	Preliminary data	Qualification	This data sheet contains data from the preliminary specification. Supplementary data will be published at a later date. Philips Semiconductors reserves the right to change the specification without notice, in order to improve the design and supply the best possible product.
III	Product data	Production	This data sheet contains data from the product specification. Philips Semiconductors reserves the right to make changes at any time in order to improve the design, manufacturing and supply. Relevant changes will be communicated via a Customer Product/Process Change Notification (CPCN).

[1] Please consult the most recently issued data sheet before initiating or completing a design.

[2] The product status of the device(s) described in this data sheet may have changed since this data sheet was published. The latest information is available on the Internet at URL <http://www.semiconductors.philips.com>.

[3] For data sheets describing multiple type numbers, the highest-level product status determines the data sheet status.

Definitions

Short-form specification — The data in a short-form specification is extracted from a full data sheet with the same type number and title. For detailed information see the relevant data sheet or data handbook.

Limiting values definition — Limiting values given are in accordance with the Absolute Maximum Rating System (IEC 60134). Stress above one or more of the limiting values may cause permanent damage to the device. These are stress ratings only and operation of the device at these or at any other conditions above those given in the Characteristics sections of the specification is not implied. Exposure to limiting values for extended periods may affect device reliability.

Application information — Applications that are described herein for any of these products are for illustrative purposes only. Philips Semiconductors make no representation or warranty that such applications will be suitable for the specified use without further testing or modification.

Disclaimers

Life support — These products are not designed for use in life support appliances, devices, or systems where malfunction of these products can reasonably be expected to result in personal injury. Philips Semiconductors customers using or selling these products for use in such applications do so at their own risk and agree to fully indemnify Philips Semiconductors for any damages resulting from such application.

Right to make changes — Philips Semiconductors reserves the right to make changes in the products—including circuits, standard cells, and/or software—described or contained herein in order to improve design and/or performance. When the product is in full production (status 'Production'), relevant changes will be communicated via a Customer Product/Process Change Notification (CPCN). Philips Semiconductors assumes no responsibility or liability for the use of any of these products, conveys no license or title under any patent, copyright, or mask work right to these products, and makes no representations or warranties that these products are free from patent, copyright, or mask work right infringement, unless otherwise specified.

Contact information

For additional information please visit
<http://www.semiconductors.philips.com>. Fax: +31 40 27 24825

© Koninklijke Philips Electronics N.V. 2003
 All rights reserved. Printed in U.S.A.

Date of release: 12-03

For sales offices addresses send e-mail to:
sales.addresses@www.semiconductors.philips.com.

Document order number:

9397 750 12453

Let's make things better.